



US00D875487S

(12) **United States Design Patent**
Stottlemeyer, Jr.

(10) **Patent No.:** **US D875,487 S**

(45) **Date of Patent:** **** Feb. 18, 2020**

- (54) **DECOUPLER TOOL** 5,428,853 A * 7/1995 Menke A62B 3/005
7/138
- (71) Applicant: **Big Woods Rescue Products, LLC,** 5,515,593 A 5/1996 Eagler
Poolesville, MD (US) 6,308,355 B1 * 10/2001 McMillan A62B 3/005
7/142
- (72) Inventor: **Walter U. Stottlemeyer, Jr.,** Poolesville, 6,378,909 B1 * 4/2002 Rogers, Jr. B25B 27/10
MD (US) 285/1
- (73) Assignee: **Big Woods Rescue Products, LLC,** 7,497,405 B2 3/2009 Huo
Poolesville, MD (US) D599,502 S * 9/2009 Mack D29/124
7,874,034 B1 1/2011 Mack et al.
D738,704 S * 9/2015 Watson D8/349
D751,874 S * 3/2016 Hills D8/105
9,518,690 B2 12/2016 Belisle
9,895,562 B2 2/2018 Richardson
D839,082 S * 1/2019 Heine D8/354
2009/0211034 A1 8/2009 Lionel
- (**) Term: **15 Years**
- (21) Appl. No.: **29/647,745**
- (22) Filed: **May 15, 2018**

- (51) **LOC (12) Cl.** **08-05**
- (52) **U.S. Cl.**
USPC **D8/14**
- (58) **Field of Classification Search**
USPC D8/14, 21, 349, 354, 356
CPC B25B 13/462; B25B 13/02; B25B 13/48;
A62B 3/005
See application file for complete search history.

(56) **References Cited**

U.S. PATENT DOCUMENTS

- 2,338,674 A * 1/1944 Smith B25B 27/10
285/238
- 2,360,163 A * 10/1944 Sadler A62C 33/00
81/176.1
- 2,798,393 A 7/1957 Currin
- 4,236,733 A 12/1980 Zambrano
- D258,636 S * 3/1981 Boyko 81/176.1
- 4,646,378 A * 3/1987 Borden A62B 3/005
7/138
- 4,648,630 A 3/1987 Bruch
- 4,856,834 A 8/1989 Lancaster et al.
- 5,000,405 A 3/1991 Rybak et al.
- 5,273,253 A * 12/1993 Rogers A62C 33/04
24/543

OTHER PUBLICATIONS

<https://firehosedirect.com/store>, Spanner Wrench.

* cited by examiner

Primary Examiner — Philip S Hyder
(74) *Attorney, Agent, or Firm* — Breiner & Breiner,
L.L.C.

(57) **CLAIM**

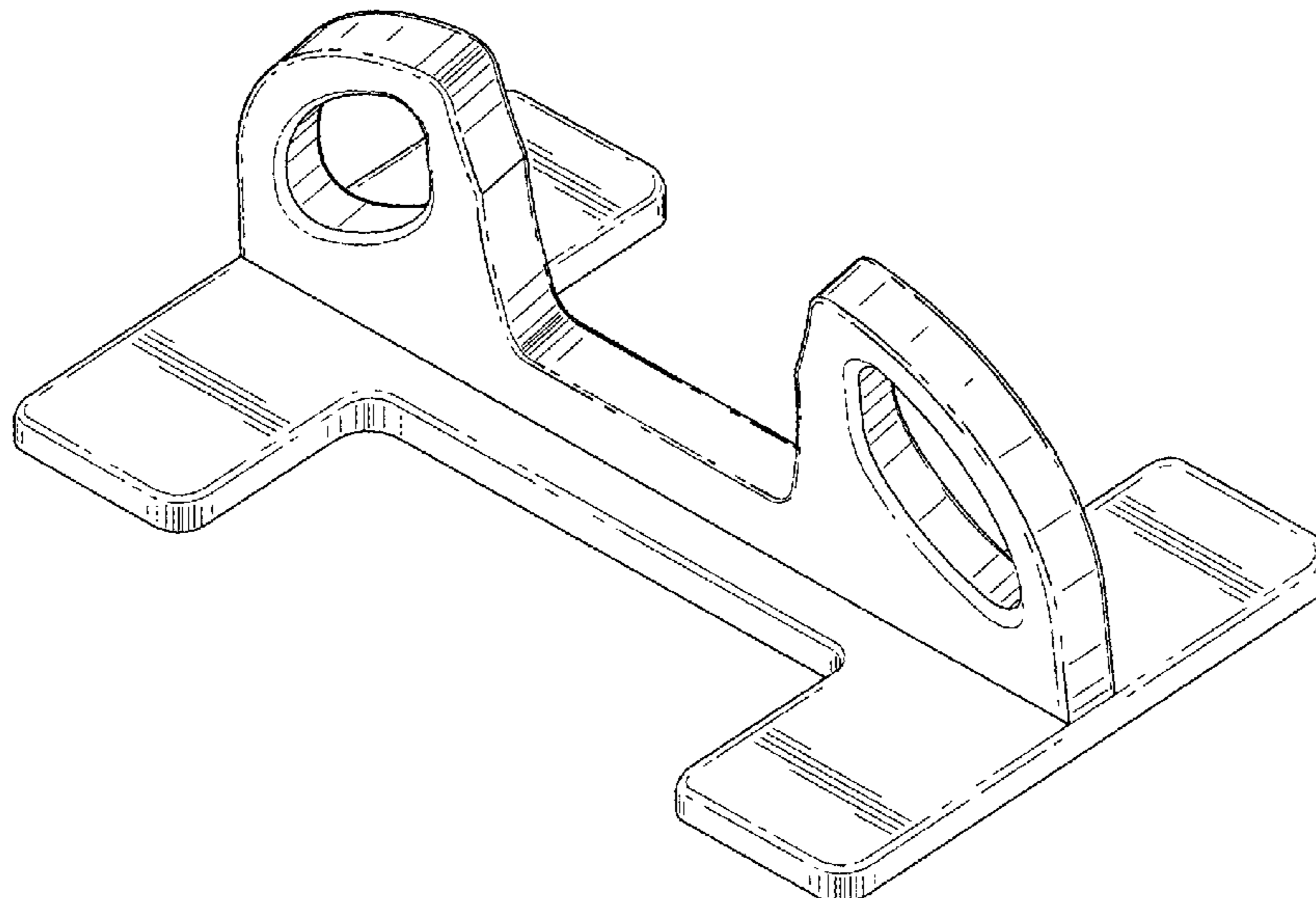
The ornamental design for a decoupler tool, as shown and described.

DESCRIPTION

FIG. 1 is a perspective view of the decoupler tool;
FIG. 2 is a side view of the decoupler tool;
FIG. 3 is an end view of the decoupler tool;
FIG. 4 is a top view of the decoupler tool;
FIG. 5 is a bottom view of the decoupler tool; and,
FIG. 6 is a view of the decoupler tool in an environment of use.

The broken lines in the drawings form no part of the invention.

1 Claim, 4 Drawing Sheets



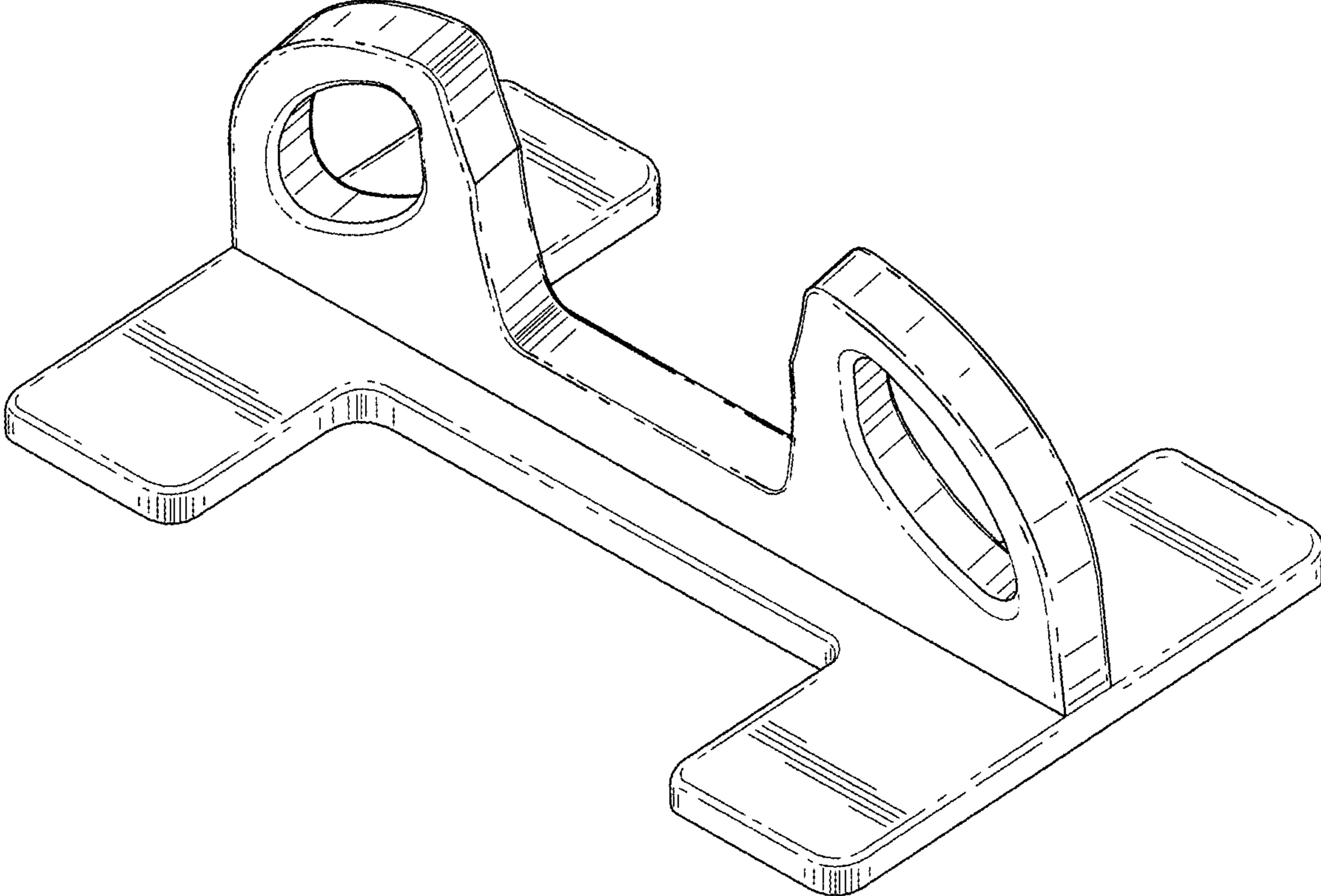


FIG. 1

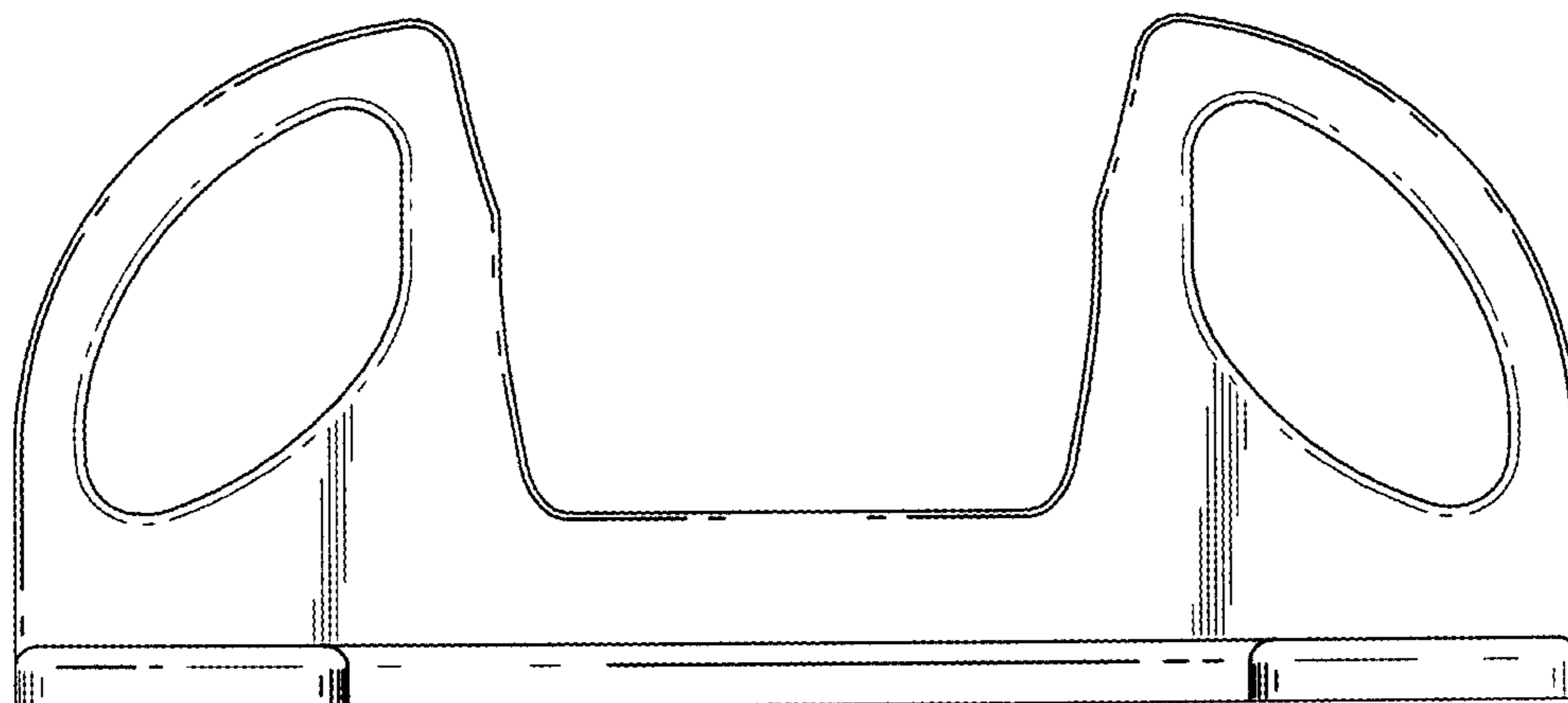


FIG. 2

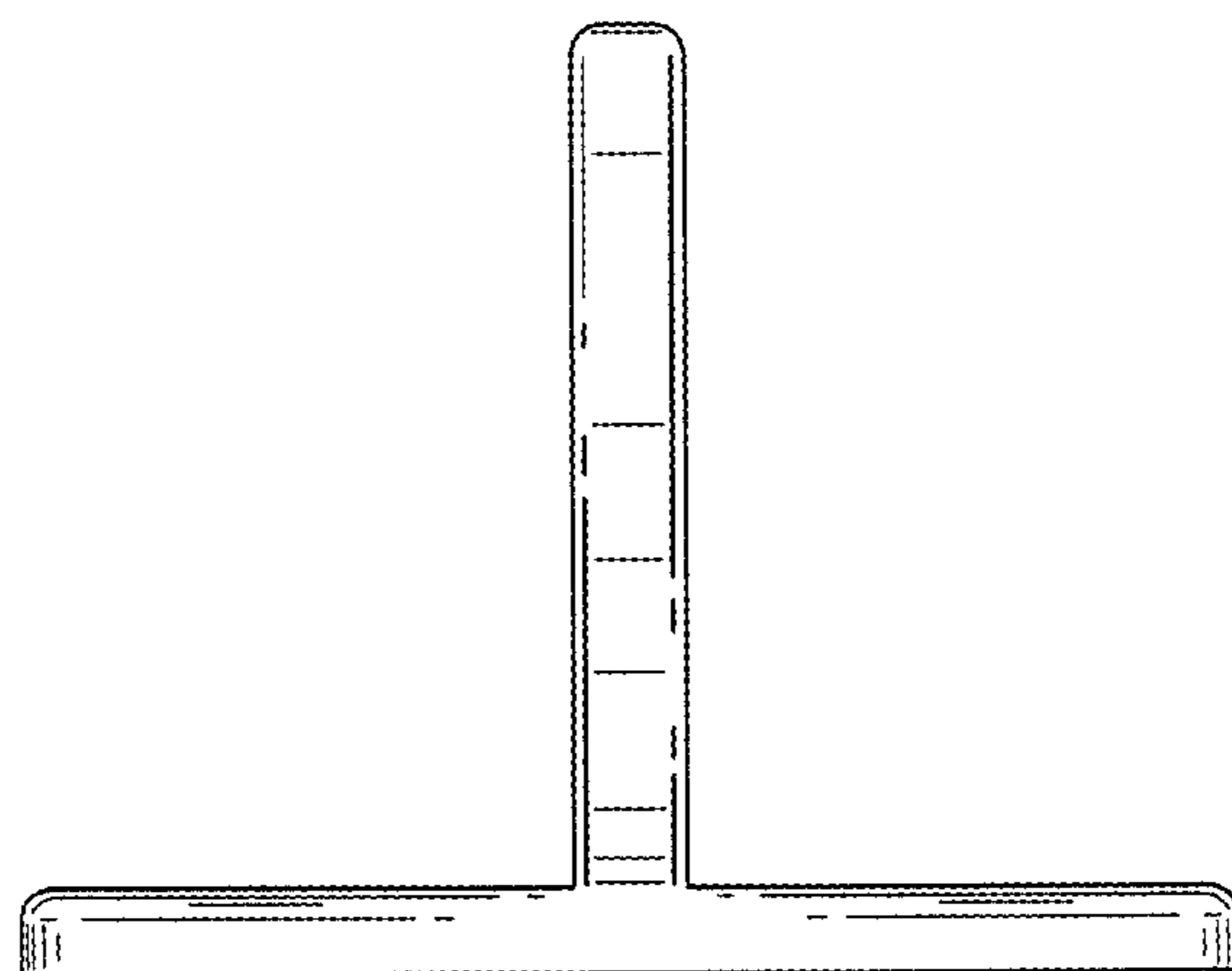


FIG. 3

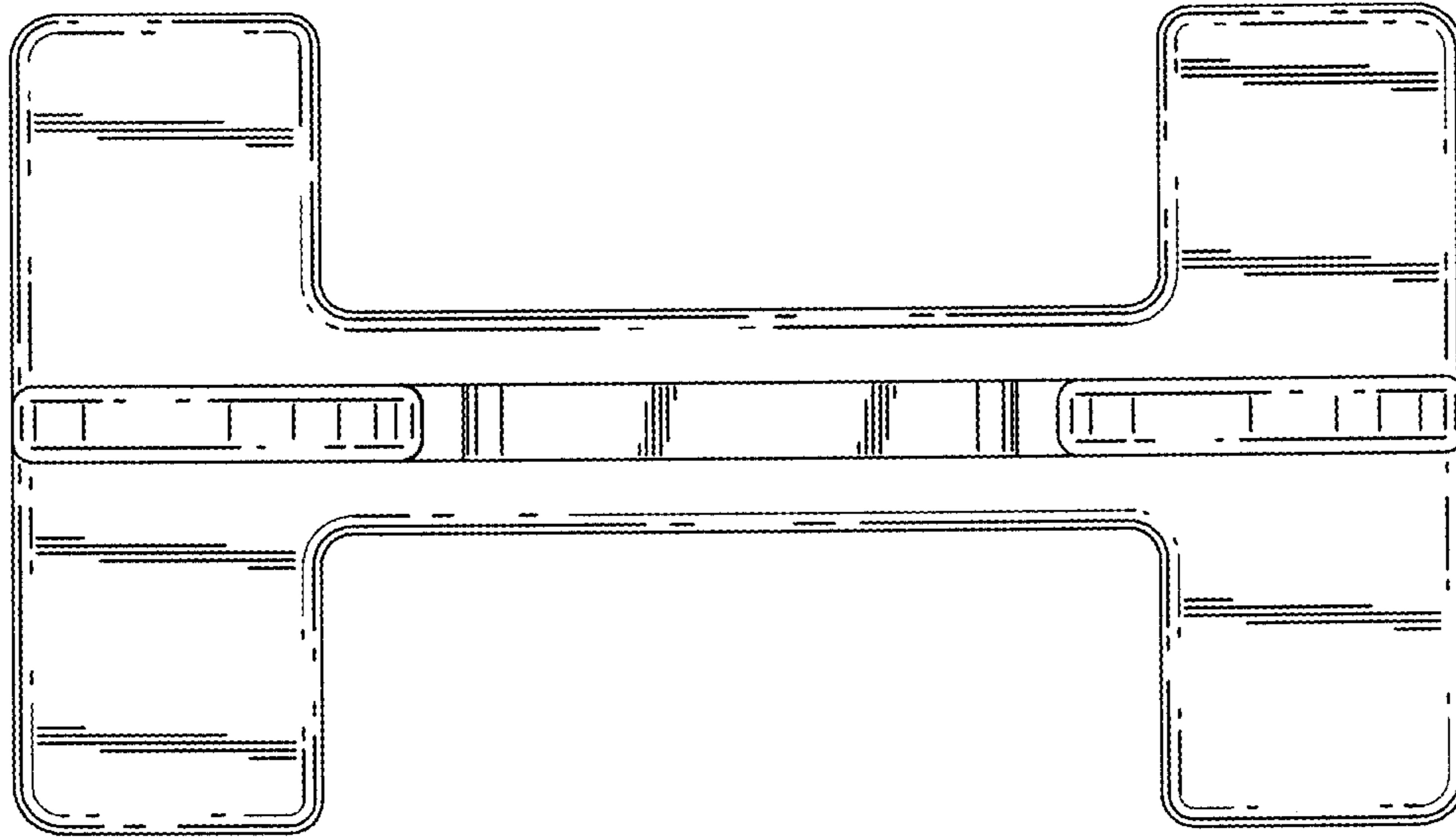


FIG. 4

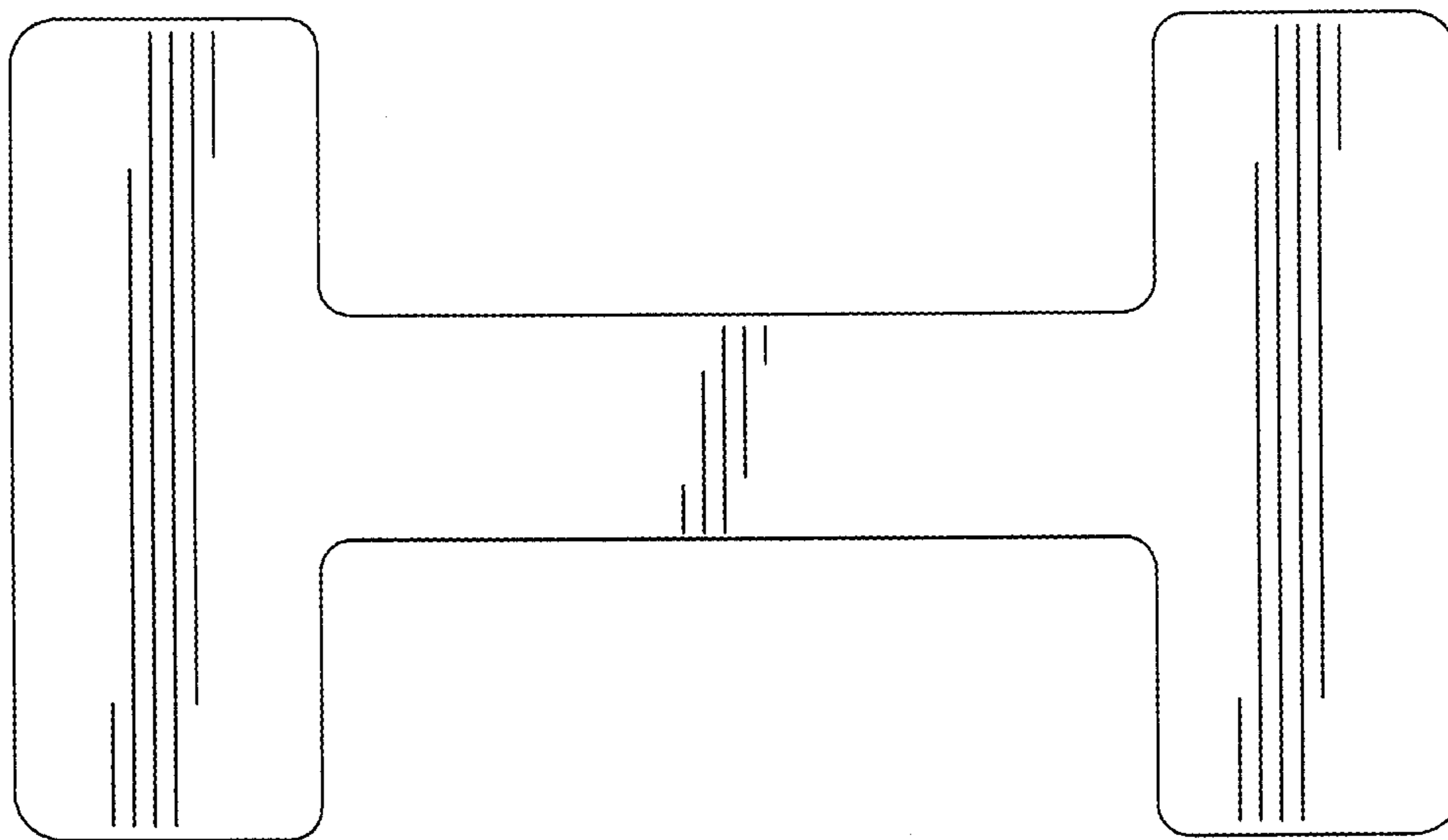


FIG. 5

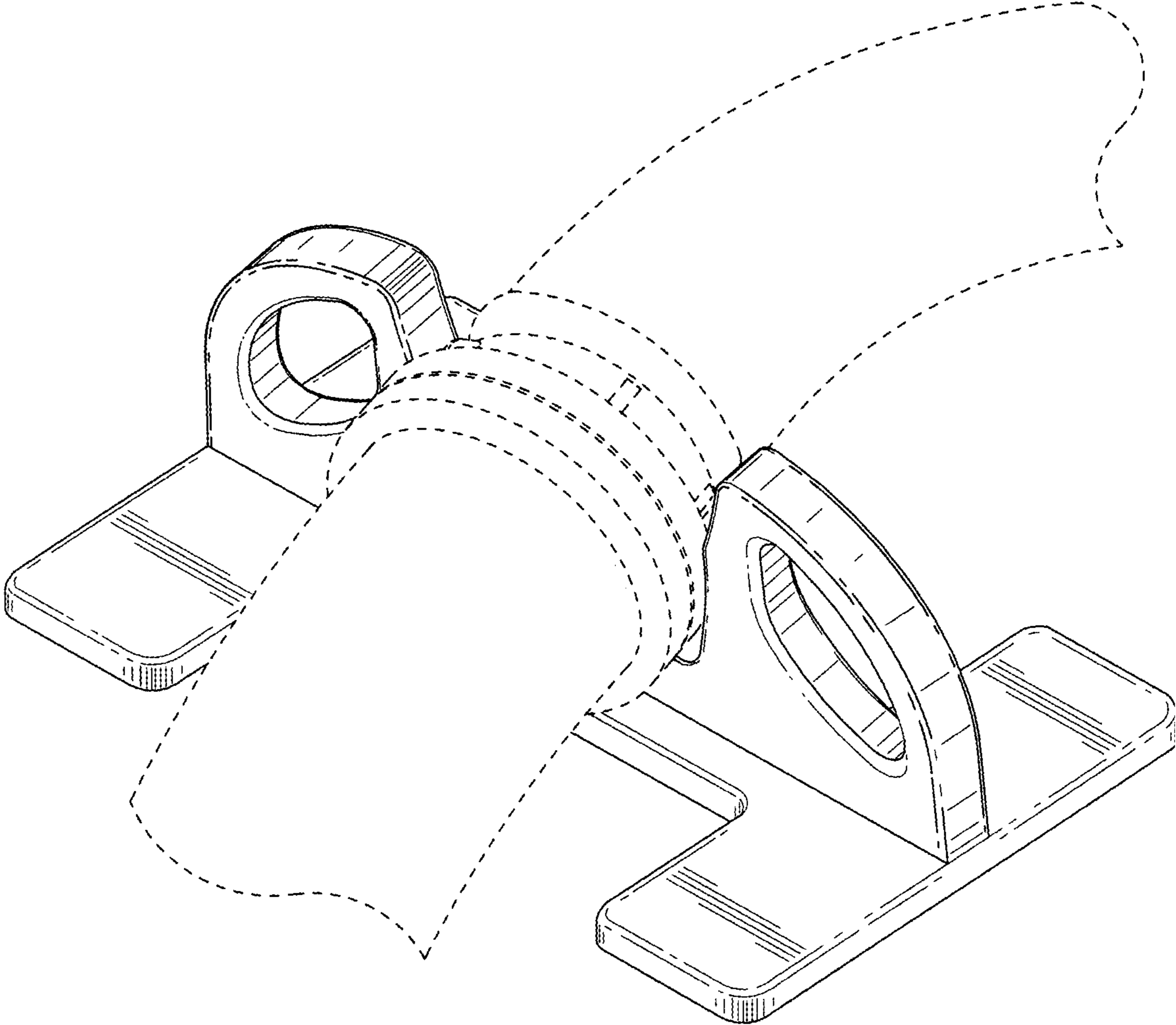


FIG. 6