



US00D875484S

(12) **United States Design Patent** (10) **Patent No.:** **US D875,484 S**
Workman et al. (45) **Date of Patent:** **** Feb. 18, 2020**

(54) **KNIFE**
(71) Applicant: **Barebones Systems, LLC**, Salt Lake City, UT (US)
(72) Inventors: **Robert Emmett Workman**, Morgan, UT (US); **David Jared Burton**, Payson, UT (US); **Erik Robert Workman**, Salt Lake City, UT (US); **Kristin Mecham**, Springville, UT (US)
(73) Assignee: **BAREBONES SYSTEMS, LLC**, Salt Lake City, UT (US)
(**) Term: **15 Years**
(21) Appl. No.: **29/636,297**
(22) Filed: **Feb. 7, 2018**
(51) **LOC (12) Cl.** **08-01**
(52) **U.S. Cl.**
USPC **D8/10; D8/9; D7/650**
(58) **Field of Classification Search**
USPC D8/1, 7, 9, 10, 11; D21/483, 532; D7/649, 650; D22/118
CPC B26B 3/00; B26B 3/02; B26B 3/03; B26B 9/00; A01B 1/00; A01B 1/02; A01B 1/022; A01B 1/024; A01B 1/04; A01B 1/16; A01B 1/026; A01B 1/22; A01B 1/06; A01B 1/08; A01B 1/12; A01B 1/14; A01G 20/30
See application file for complete search history.

(56) **References Cited**
U.S. PATENT DOCUMENTS
952,697 A * 3/1910 Billau A01B 1/16 15/104.31
1,169,921 A * 2/1916 Burns A01B 1/16 294/50.6
1,713,529 A * 5/1929 Grant A01G 20/30 294/51
D229,662 S * 12/1973 Friedman 30/144

D257,551 S * 11/1980 Nadle D10/46.2
D303,484 S * 9/1989 Stanart D8/10
5,581,889 A * 12/1996 Reuter A01B 1/08 172/378
D564,313 S * 3/2008 Baker D8/9
D564,314 S * 3/2008 Baker D8/10
D579,287 S * 10/2008 Hyp D8/9
D583,632 S * 12/2008 Qualtieri D7/650
D600,518 S * 9/2009 Liu D8/9
D682,055 S * 5/2013 Hyp D8/9
(Continued)

OTHER PUBLICATIONS

Intervale Multi-Purpose Garden Knife and Sheath, Earliest article review date: Mar. 25, 2018 via online, <https://www.gardeners.com/buy/intervale-multi-purpose-garden-knife/8596635.html#start=9>.
(Continued)

Primary Examiner — Sandra S Snapp
Assistant Examiner — Ieisha N Price
(74) *Attorney, Agent, or Firm* — Morriss O’Bryant
Compagni Cannon, PLLC

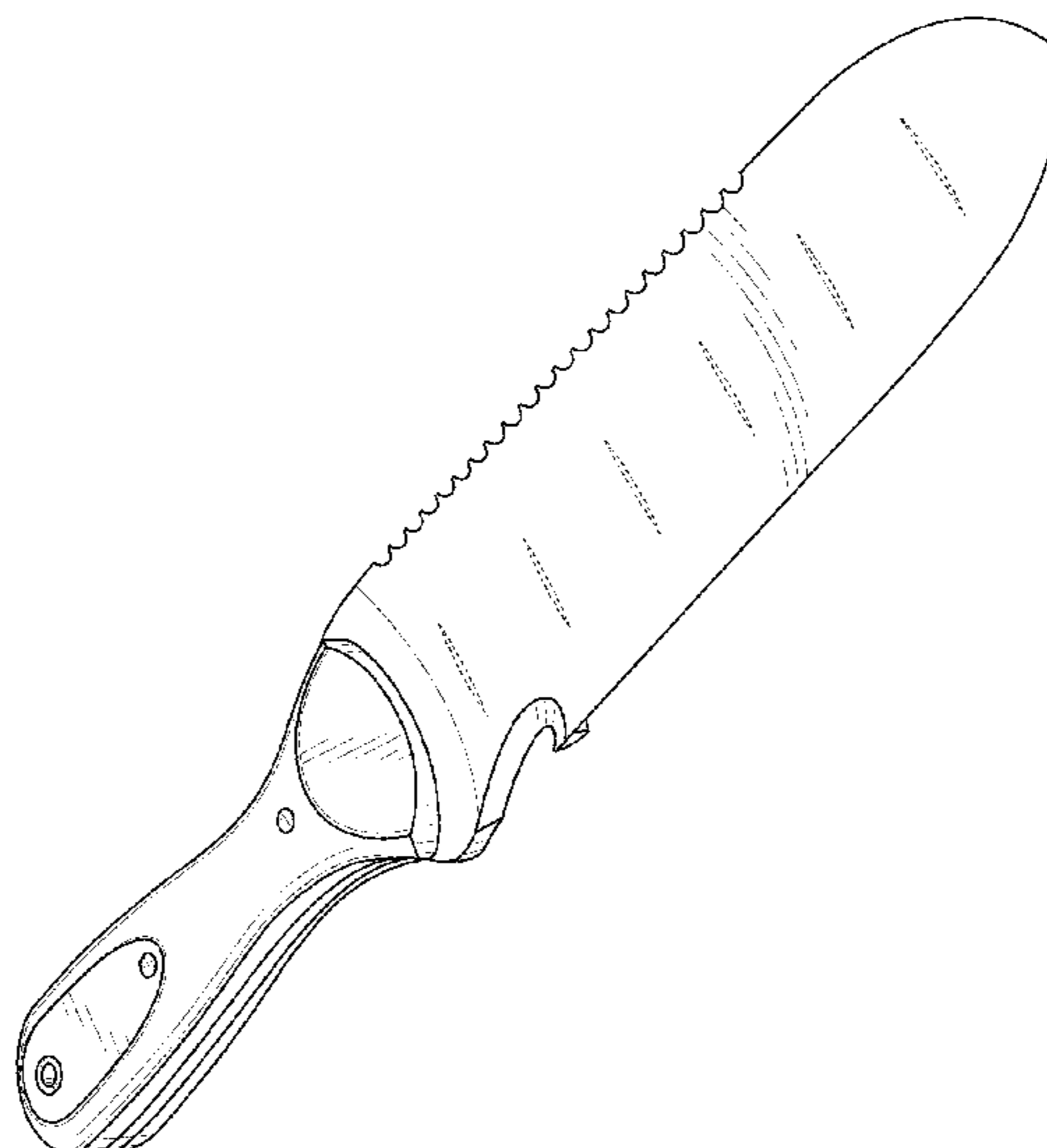
(57) **CLAIM**

The ornamental design for a knife, as shown and described.

DESCRIPTION

FIG. 1 is a front side perspective view of a knife of the present invention;
FIG. 2 is a back side perspective view of a knife of the present invention;
FIG. 3 is a front side view of the knife;
FIG. 4 is a back side view of the knife;
FIG. 5 is a left side view of the knife;
FIG. 6 is a right side view of the knife;
FIG. 7 is a top plan view of the knife; and,
FIG. 8 is a bottom plan view of the knife.
The broken lines in the drawings illustrate portions of the knife and form no part of the claimed design.

1 Claim, 5 Drawing Sheets



(56)

References Cited

U.S. PATENT DOCUMENTS

D720,583 S * 1/2015 Hyp D8/9
D785,746 S * 5/2017 Burton D22/118
D810,528 S * 2/2018 Billau D8/11
D846,957 S * 4/2019 Nagrani D7/650
2011/0080014 A1* 4/2011 Baker A01B 1/02
294/51
2014/0173832 A1* 6/2014 Kim B26B 9/00
7/156

OTHER PUBLICATIONS

Leonard Deluxe Stainless-Steel Soil Knife, Earliest article review
date: Aug. 15, 2010 via online, <https://www.amleo.com/leonard-deluxe-stainless-steel-soil-knife/p/4752/>.*

* cited by examiner

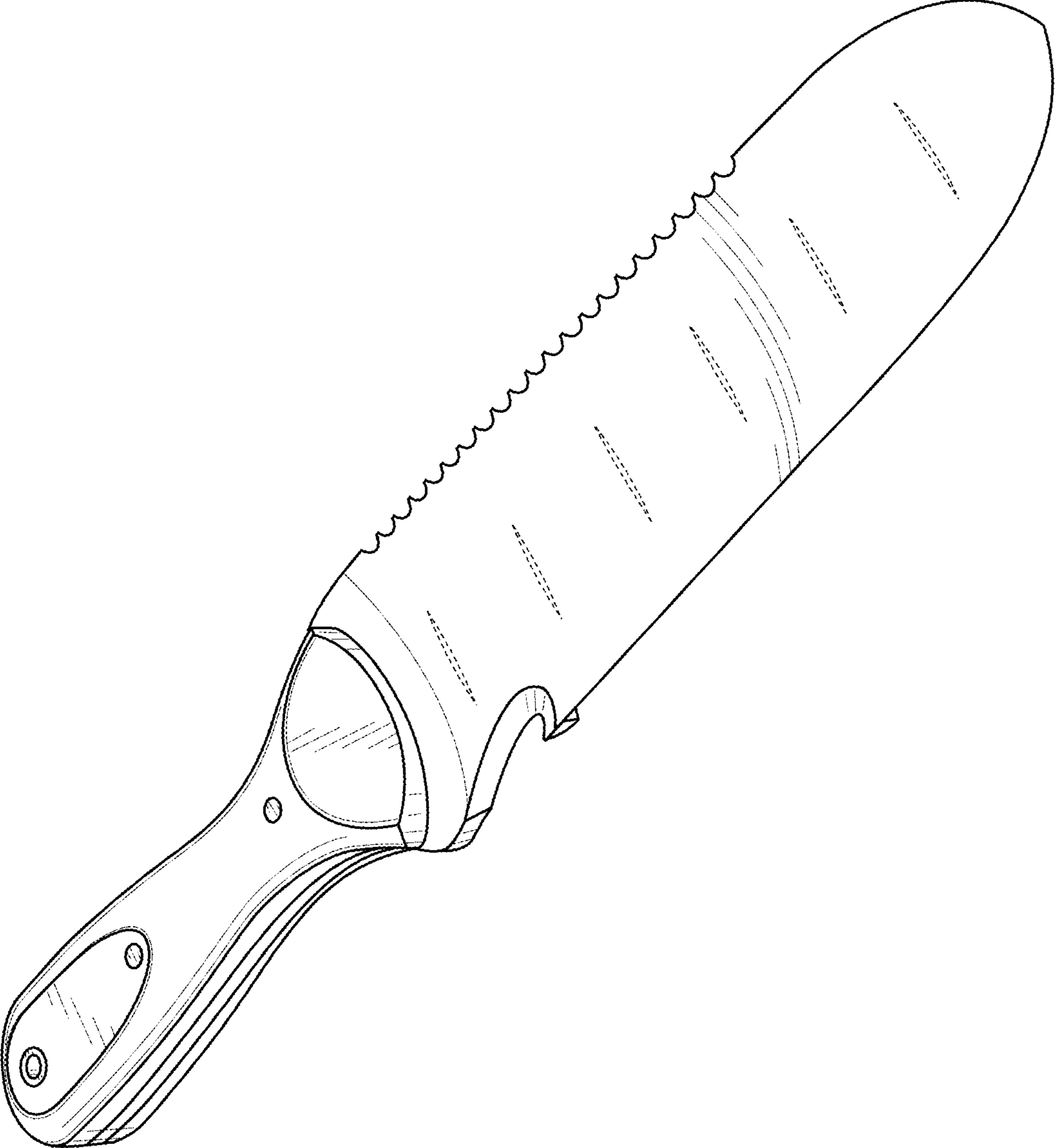


FIG. 1

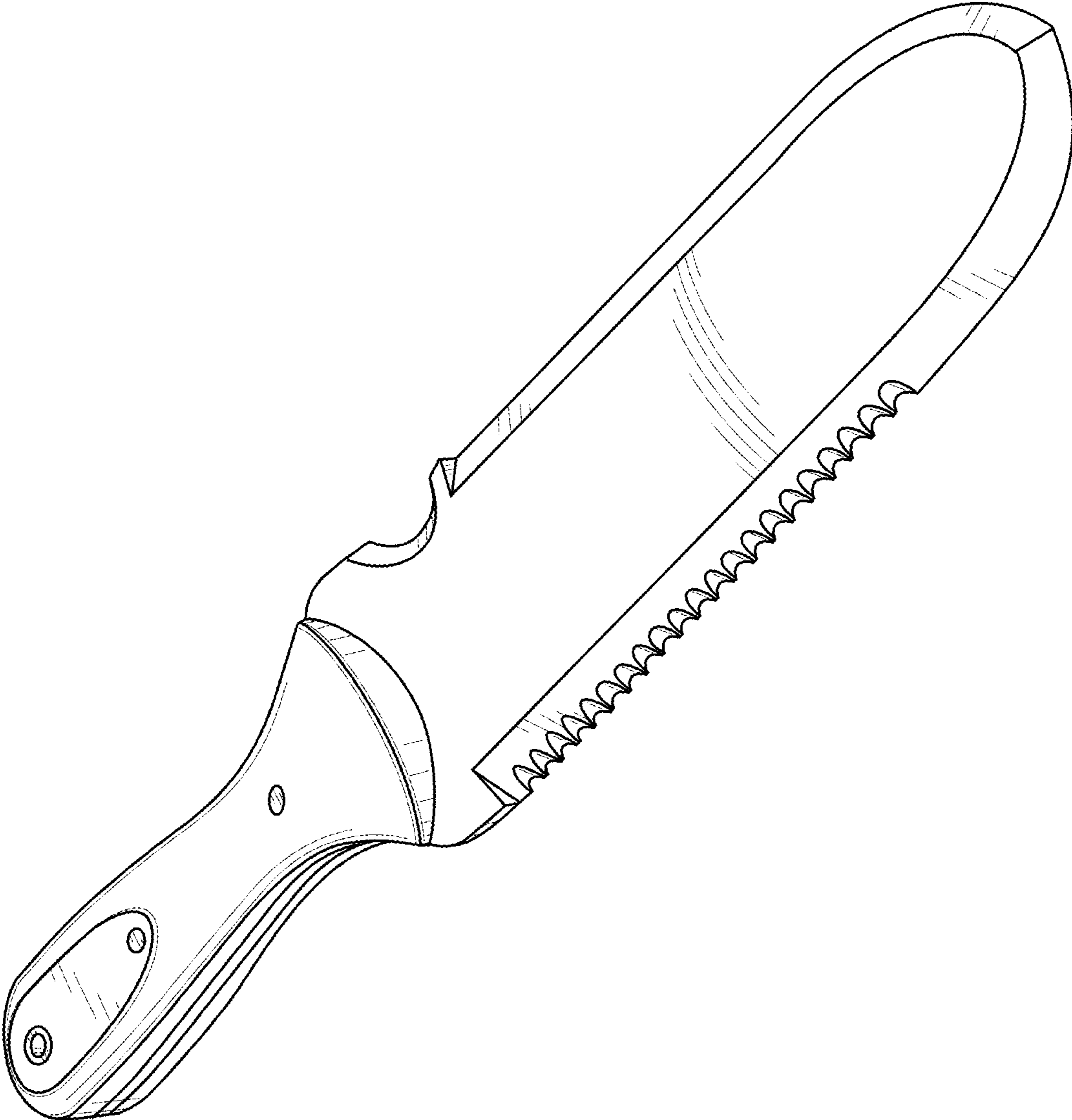


FIG. 2

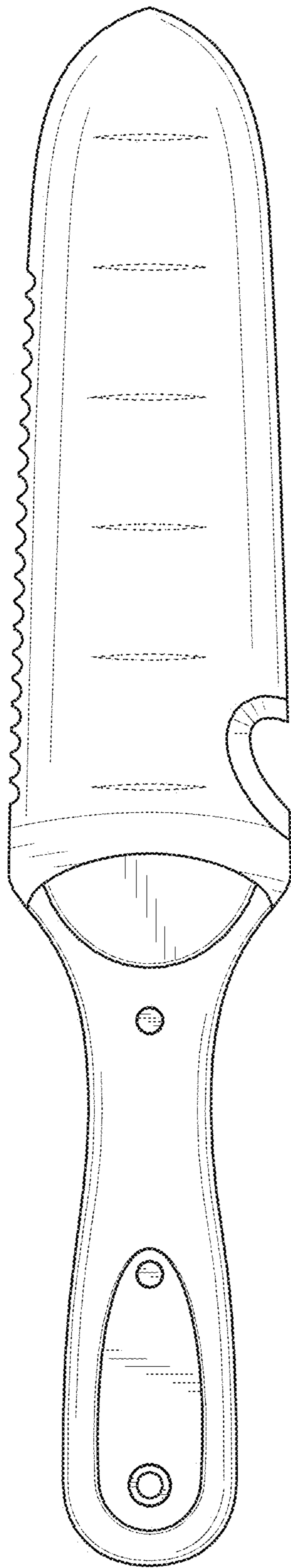


FIG. 3

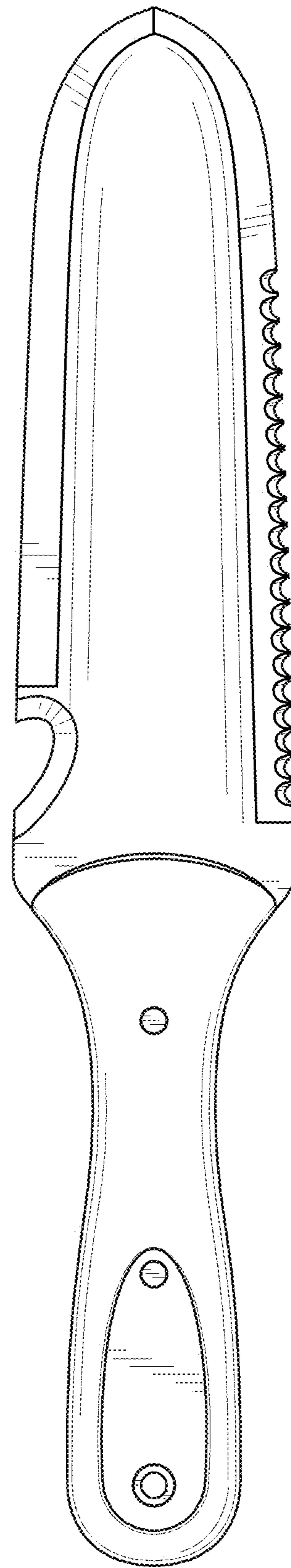


FIG. 4

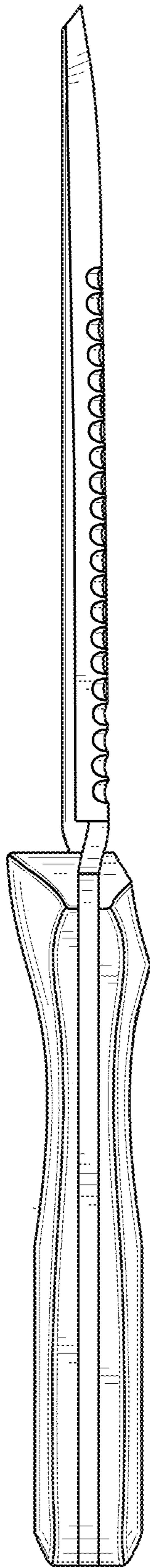


FIG. 5

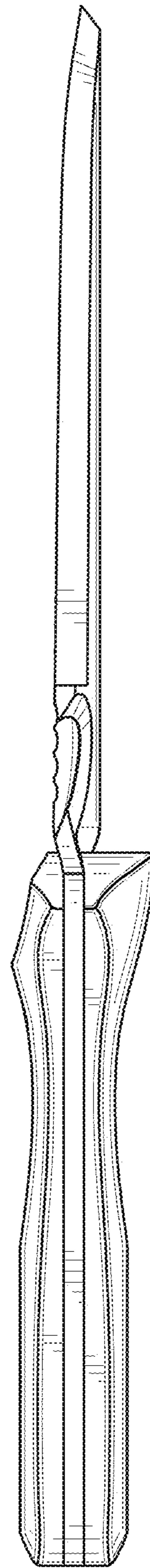


FIG. 6

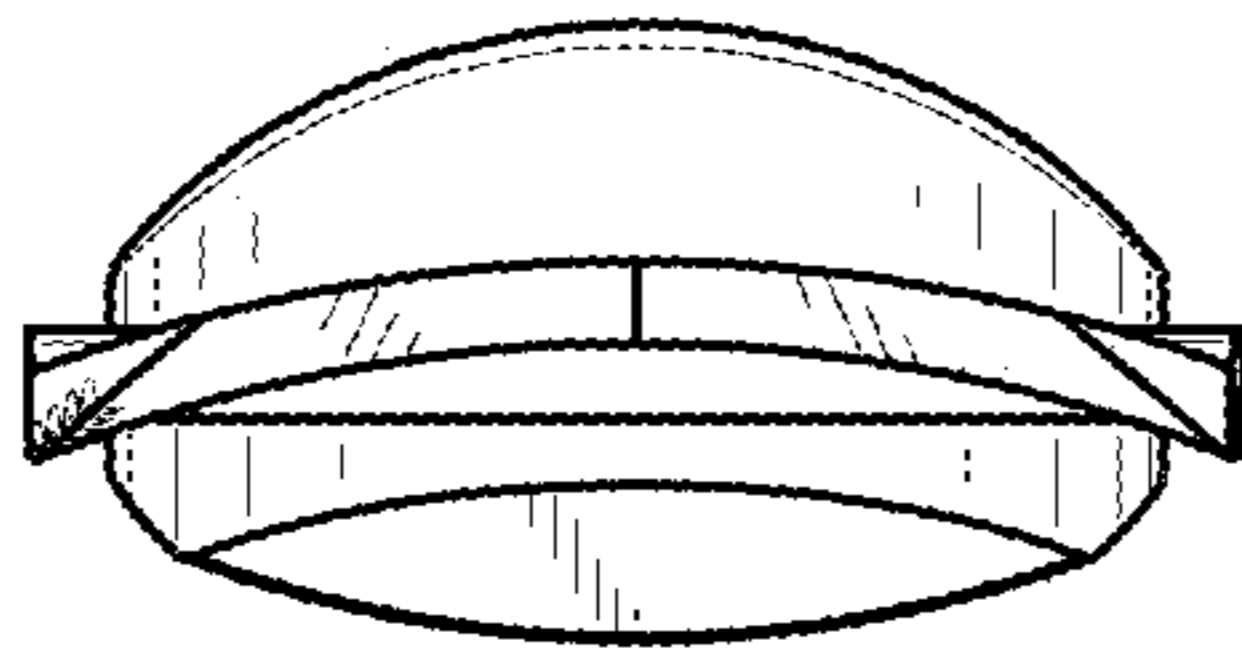


FIG. 7

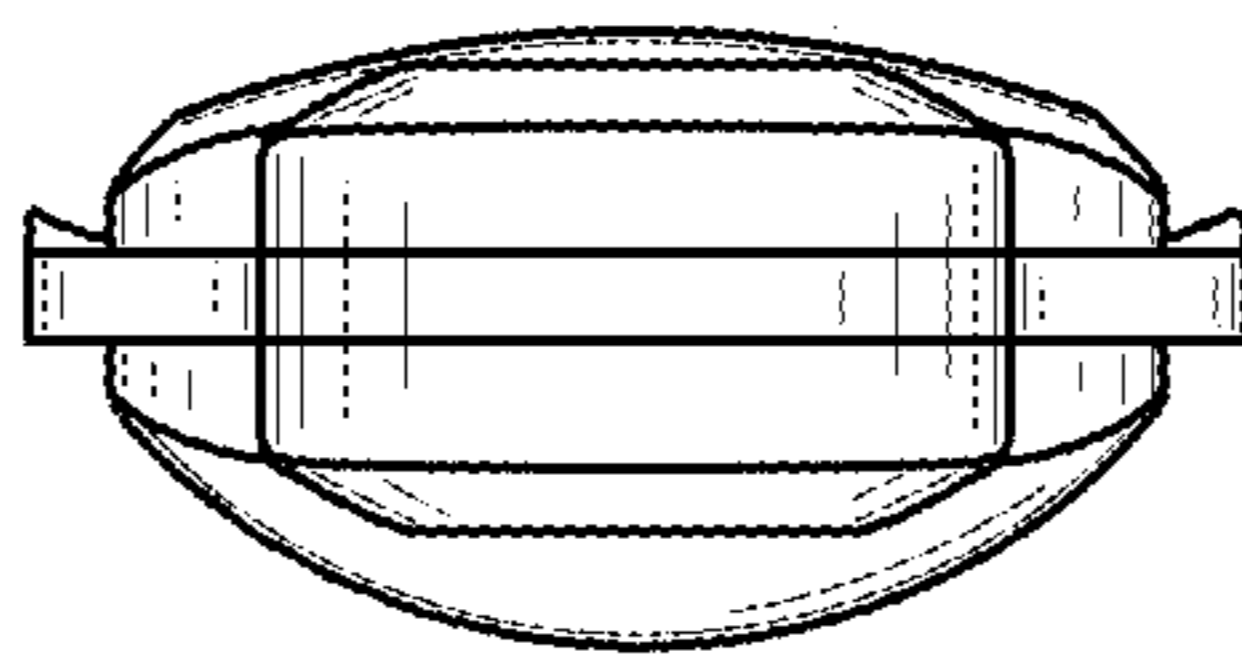


FIG. 8