



US00D875483S

(12) **United States Design Patent** (10) **Patent No.:** **US D875,483 S**  
**Roberts et al.** (45) **Date of Patent:** **\*\* Feb. 18, 2020**

(54) **PRUNER**

(71) Applicant: **Fiskars Brands, Inc.**, Middleton, WI (US)

(72) Inventors: **Colin Roberts**, Waunakee, WI (US);  
**Emery Weber**, Madison, WI (US);  
**Brian Rojas-Edge**, Madison, WI (US);  
**James Meiller**, Fitchburg, WI (US)

(73) Assignee: **FISKARS FINLAND OY AB**, Helsinki (FI)

(\*\*) Term: **15 Years**

(21) Appl. No.: **29/639,338**

(22) Filed: **Mar. 6, 2018**

(51) **LOC (12) Cl.** ..... **08-01**

(52) **U.S. Cl.**  
USPC ..... **D8/5**

(58) **Field of Classification Search**  
USPC ..... D8/4, 5, 6, 7, 9, 12, 95  
CPC ..... A01G 3/02; A01G 3/0251; A01G 3/04;  
A01G 3/06; B23D 51/10  
See application file for complete search history.

6,829,828 B1 12/2004 Cech et al.  
D501,379 S 2/2005 Lipscomb et al.  
D503,595 S 4/2005 Lipscomb et al.  
D557,086 S 12/2007 Lipscomb et al.  
D567,601 S \* 4/2008 Klecker ..... D8/5  
D576,011 S 9/2008 Lipscomb et al.  
D628,031 S 11/2010 Stokes et al.  
D628,032 S 11/2010 Stokes et al.  
D651,053 S 12/2011 Roberts et al.  
D651,487 S 1/2012 Roberts et al.  
D698,214 S 1/2014 Sade et al.  
D706,096 S 6/2014 Stokes et al.  
D706,097 S 6/2014 Lyytikainen et al.  
D706,590 S 6/2014 Sade et al.  
D716,114 S 10/2014 Lyytikainen et al.  
D793,824 S \* 8/2017 Sokka ..... D8/5  
D802,381 S \* 11/2017 Wolf ..... D8/4  
D810,524 S \* 2/2018 Hsu ..... D8/5  
D818,783 S \* 5/2018 Wermeille ..... D8/5  
2014/0202007 A1 \* 7/2014 Huang ..... A01G 3/02  
30/262

\* cited by examiner

*Primary Examiner* — Sheryl Lane  
(74) *Attorney, Agent, or Firm* — Leason Ellis LLP

(57) **CLAIM**

We claim the ornamental design for a pruner, as shown and described.

**DESCRIPTION**

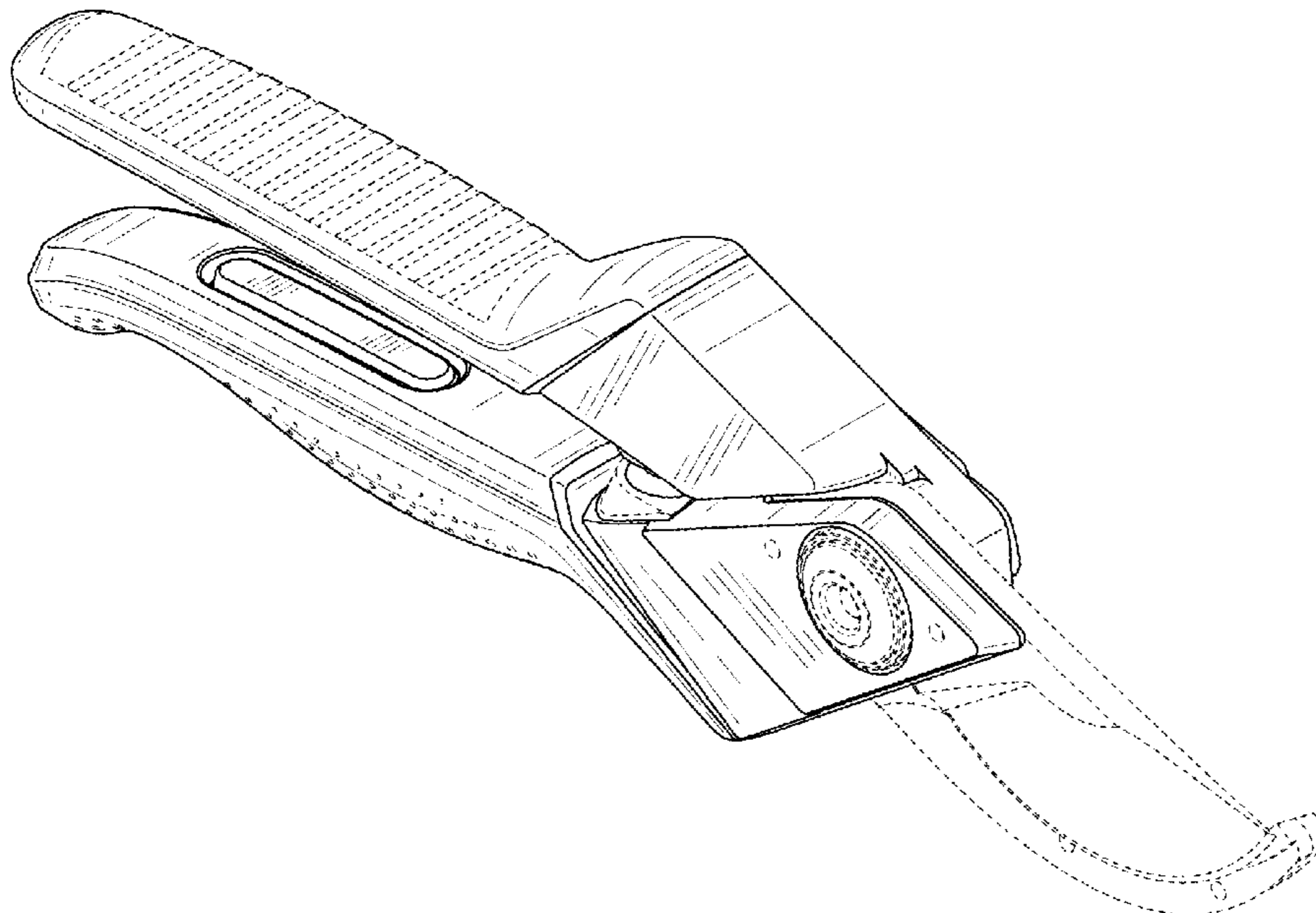
FIG. 1 is a top perspective view of the claimed design;  
FIG. 2 is front view thereof;  
FIG. 3 is a rear view thereof;  
FIG. 4 is a left side view thereof;  
FIG. 5 is a right side view thereof;  
FIG. 6 is a top view thereof; and,  
FIG. 7 is a bottom view thereof.  
The broken lines represent portions of the pruner and form no part of the claimed design.

**1 Claim, 4 Drawing Sheets**

(56) **References Cited**

U.S. PATENT DOCUMENTS

4,073,059	A	2/1978	Wallace et al.	
4,079,513	A	3/1978	Harrison	
4,268,963	A	5/1981	Harrison	
4,341,016	A	7/1982	Harrison et al.	
5,367,774	A	11/1994	Labarre et al.	
5,426,857	A	6/1995	Linden	
D377,588	S	1/1997	Birkholz	
D396,615	S	* 8/1998	Spear	D8/5
D457,040	S	* 5/2002	Hirschfeld	D8/4
D458,094	S	* 6/2002	Clivio	D8/5
D496,838	S	* 10/2004	Tomchak	D8/5



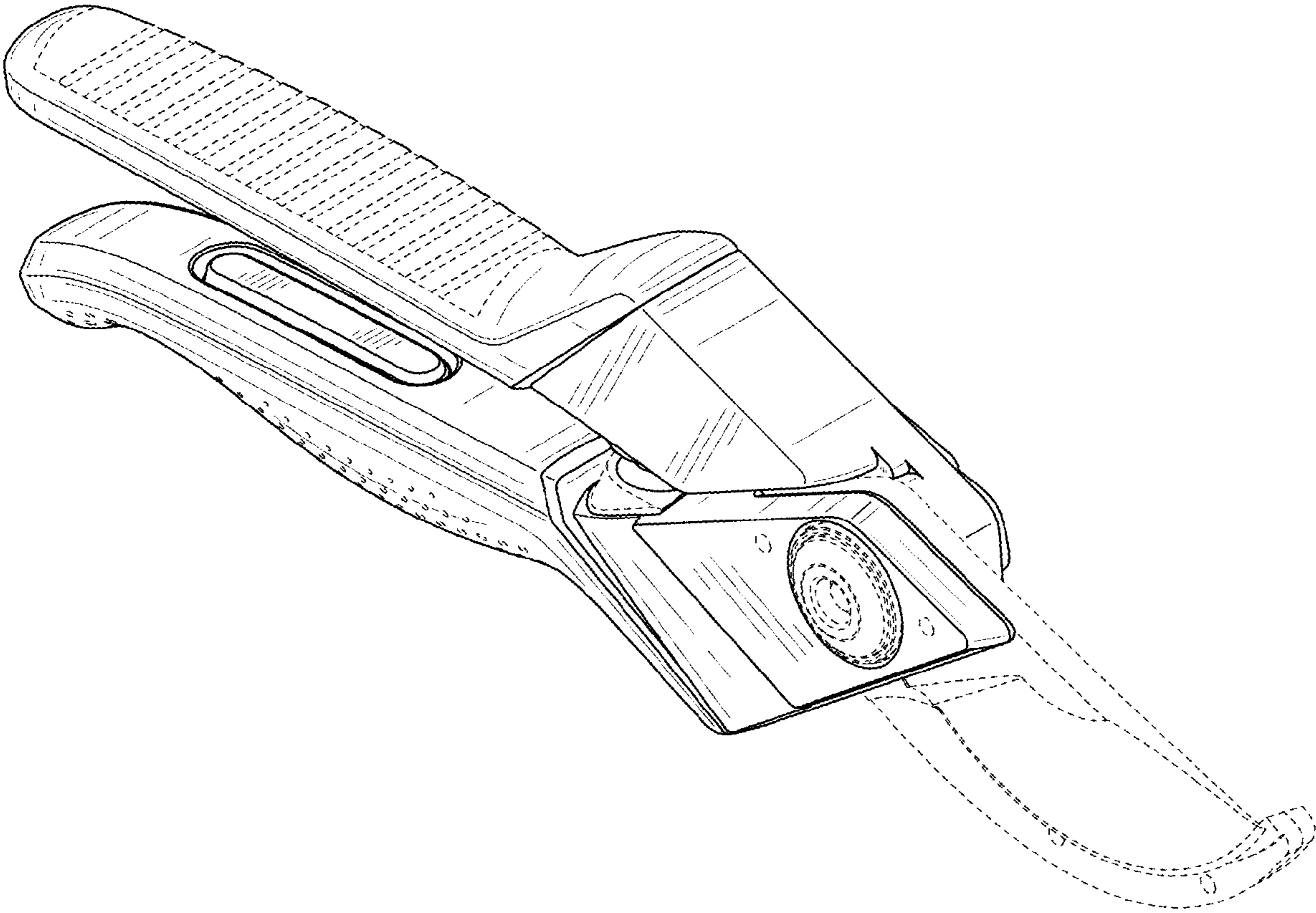
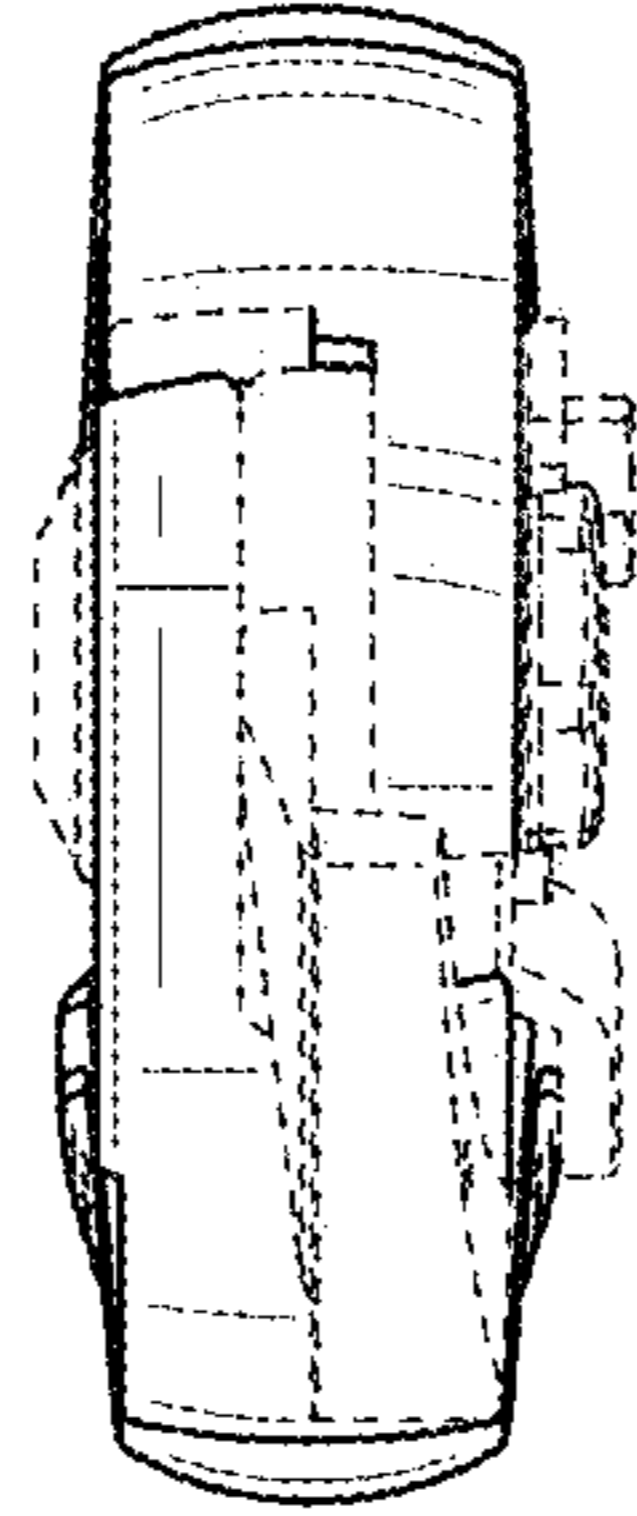
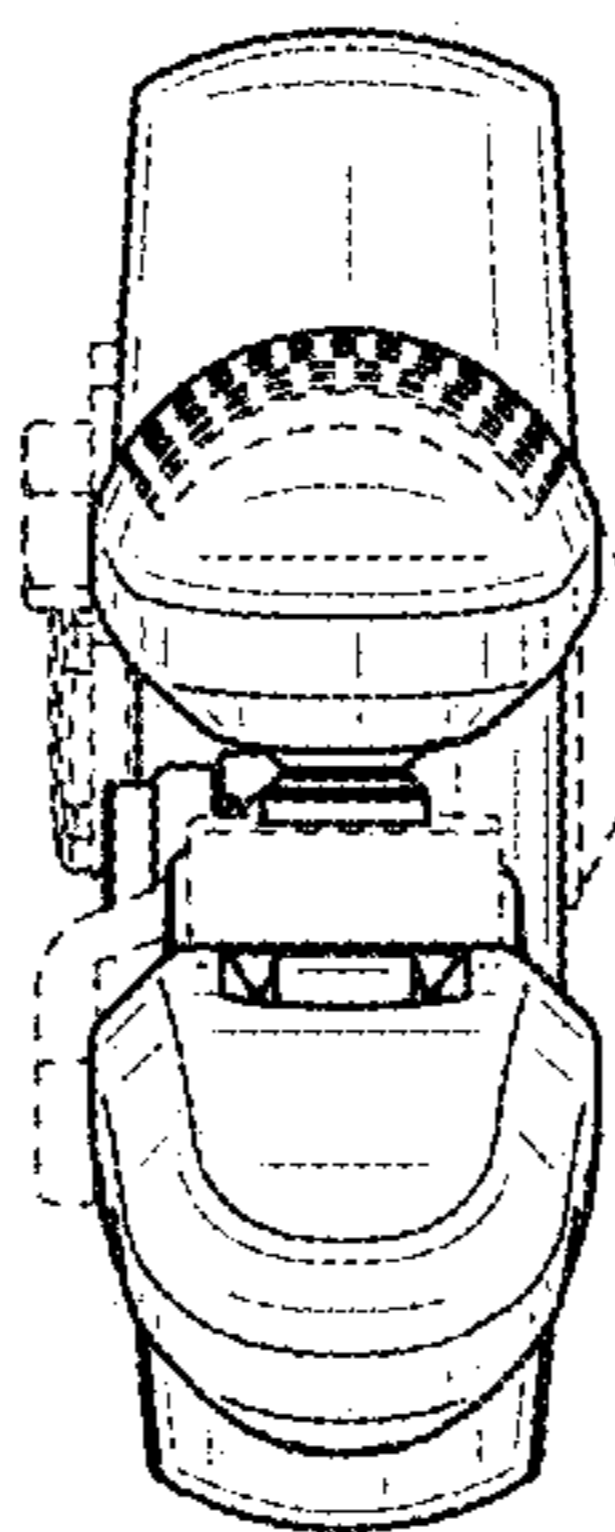


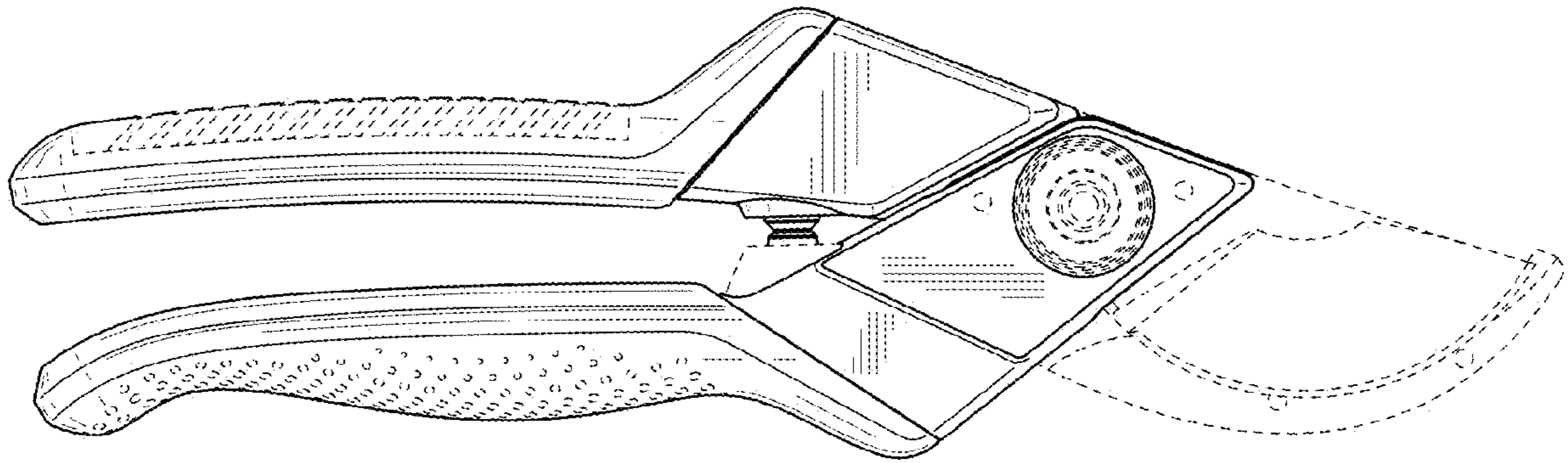
FIG. 1



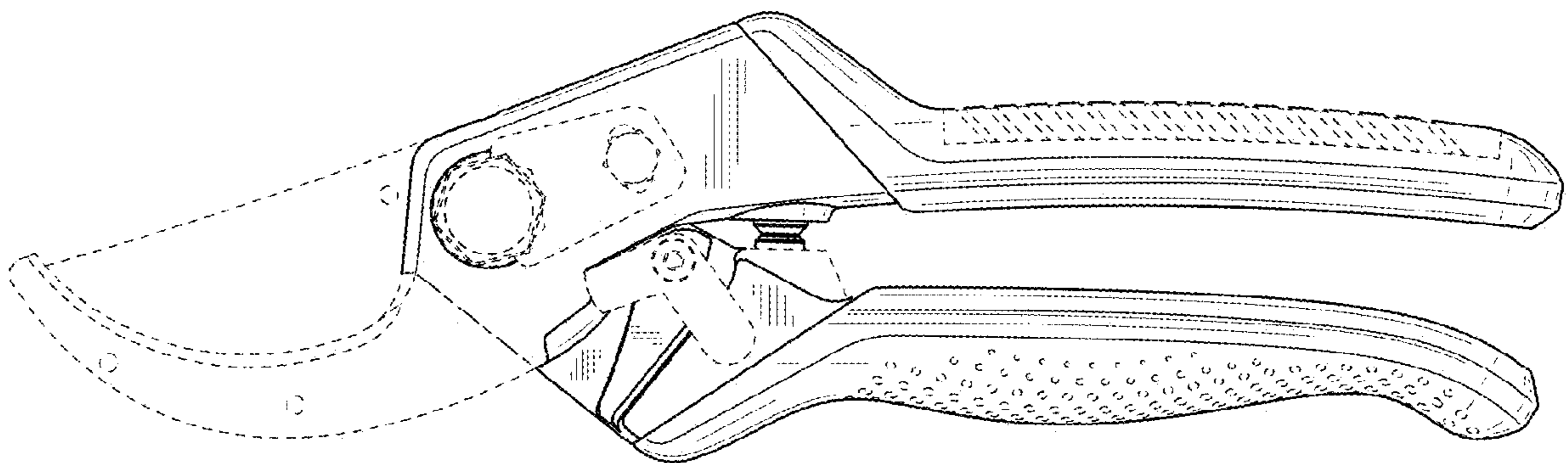
**FIG. 2**



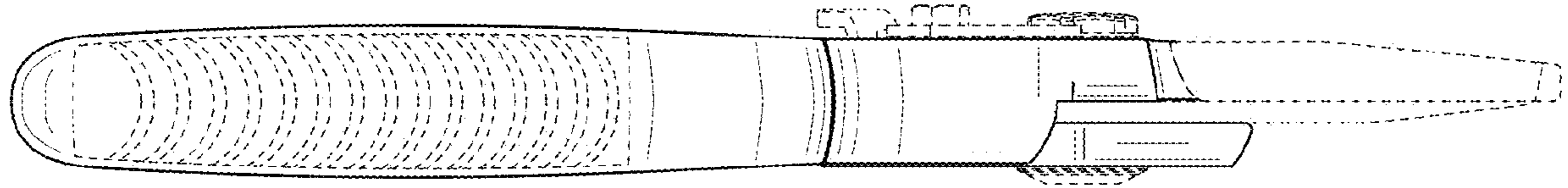
**FIG. 3**



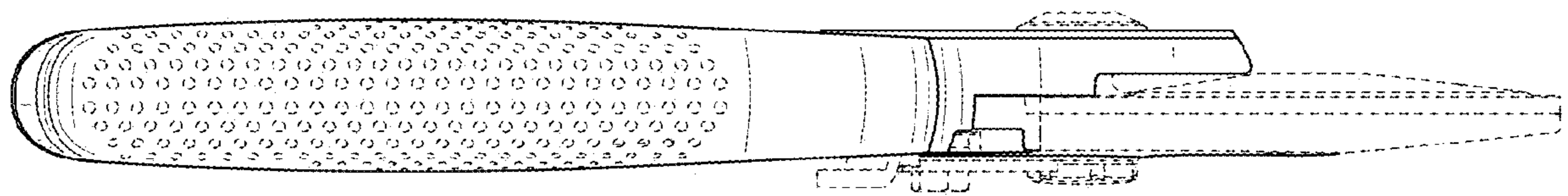
**FIG. 4**



**FIG. 5**



**FIG. 6**



**FIG. 7**