



US00D875480S

(12) **United States Design Patent**
Haines

(10) **Patent No.:** **US D875,480 S**

(45) **Date of Patent:** **** Feb. 18, 2020**

- (54) **CUP HOLDER INSERT**
- (71) Applicant: **Jason Haines**, Fort Wayne, IN (US)
- (72) Inventor: **Jason Haines**, Fort Wayne, IN (US)
- (**) Term: **15 Years**
- (21) Appl. No.: **29/657,519**
- (22) Filed: **Jul. 23, 2018**
- (51) **LOC (12) Cl.** **07-06**
- (52) **U.S. Cl.**
USPC **D7/619.1**; D12/419
- (58) **Field of Classification Search**
USPC D7/619.1-625; D12/419, 420, 423, 425;
D6/531, 535
CPC A47G 23/0216; B60N 3/103; B60N 3/106
See application file for complete search history.

- 8,672,176 B2 * 3/2014 Sayasithsena A47G 23/0216
220/4.01
- 8,757,572 B1 * 6/2014 Starr F16M 13/02
224/556
- 9,181,015 B2 * 11/2015 Booska B65D 81/3484
- 9,428,093 B2 * 8/2016 Kupina B60N 3/101
- D770,238 S * 11/2016 Lundwall D7/620
- 9,597,992 B2 * 3/2017 Ghyvoronsky B60N 3/10
- 9,931,969 B1 * 4/2018 Muldowney B60N 3/106
- D817,110 S * 5/2018 Kellow, Jr. D7/619.1
- 10,086,734 B2 * 10/2018 Ferreira Orta B60N 3/10
- 2006/0118688 A1 * 6/2006 Kong B60N 3/108
248/311.2

(Continued)

Primary Examiner — Darlington Ly

(74) *Attorney, Agent, or Firm* — George Pappas

(57) **CLAIM**

The ornamental design for a cup holder insert, as shown and described.

(56) **References Cited**

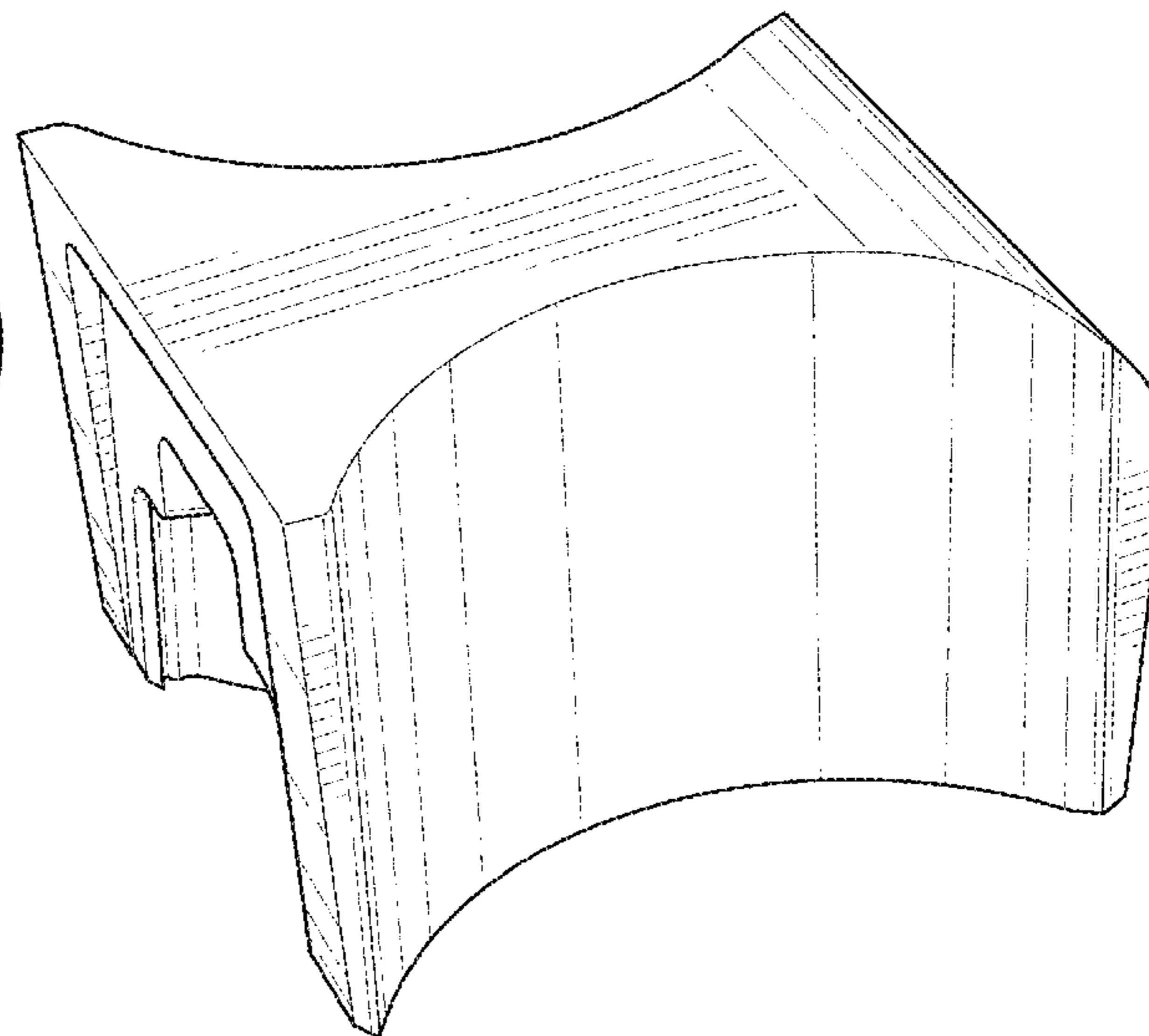
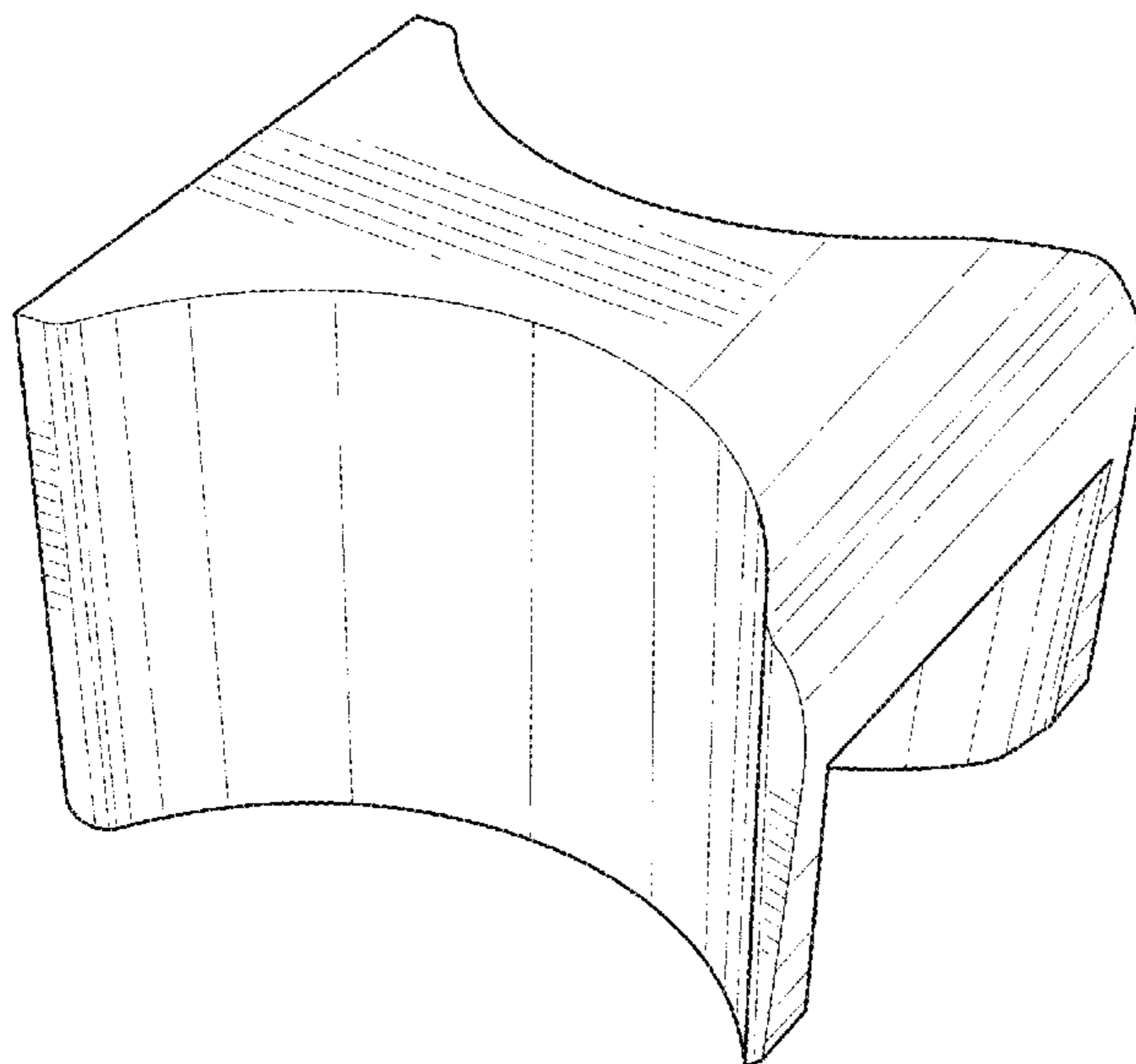
U.S. PATENT DOCUMENTS

- 5,285,953 A * 2/1994 Smith B60N 3/103
220/737
- D428,302 S * 7/2000 Miller D11/152
- 6,315,153 B1 * 11/2001 Osborn A47G 23/0216
220/737
- 7,328,876 B2 * 2/2008 Jones B60N 3/107
220/694.1
- 7,497,409 B2 * 3/2009 Lawlor B60N 3/106
248/311.2
- 7,597,300 B2 * 10/2009 Harada A47G 23/0225
220/282
- 7,748,678 B2 * 7/2010 Camarota B60N 3/101
224/926
- D622,108 S * 8/2010 McKnight D7/619.1
- 8,205,767 B2 * 6/2012 Lawlor B60N 3/106
220/737
- D669,741 S * 10/2012 Shaw D7/619.1
- 8,348,110 B1 * 1/2013 Whynot B60N 3/103
224/282

DESCRIPTION

FIG. 1 is a top, front, and right side perspective view of a cup holder insert showing my new design;
 FIG. 2 is a top, front, and left side perspective view thereof;
 FIG. 3 is a top plan view thereof;
 FIG. 4 is a bottom plan view thereof;
 FIG. 5 is a front elevation view thereof;
 FIG. 6 is a rear elevation view thereof;
 FIG. 7 is a right side elevation view thereof;
 FIG. 8 is a left side elevation view thereof;
 FIG. 9 is a top, front, and right side perspective view thereof when installed in an exemplary automobile console; and,
 FIG. 10 is a top plan view thereof when installed in an exemplary automobile console.
 The broken line showing portions of the cup holder insert and environmental structure of an automobile console do not form part of the claimed design.

1 Claim, 5 Drawing Sheets



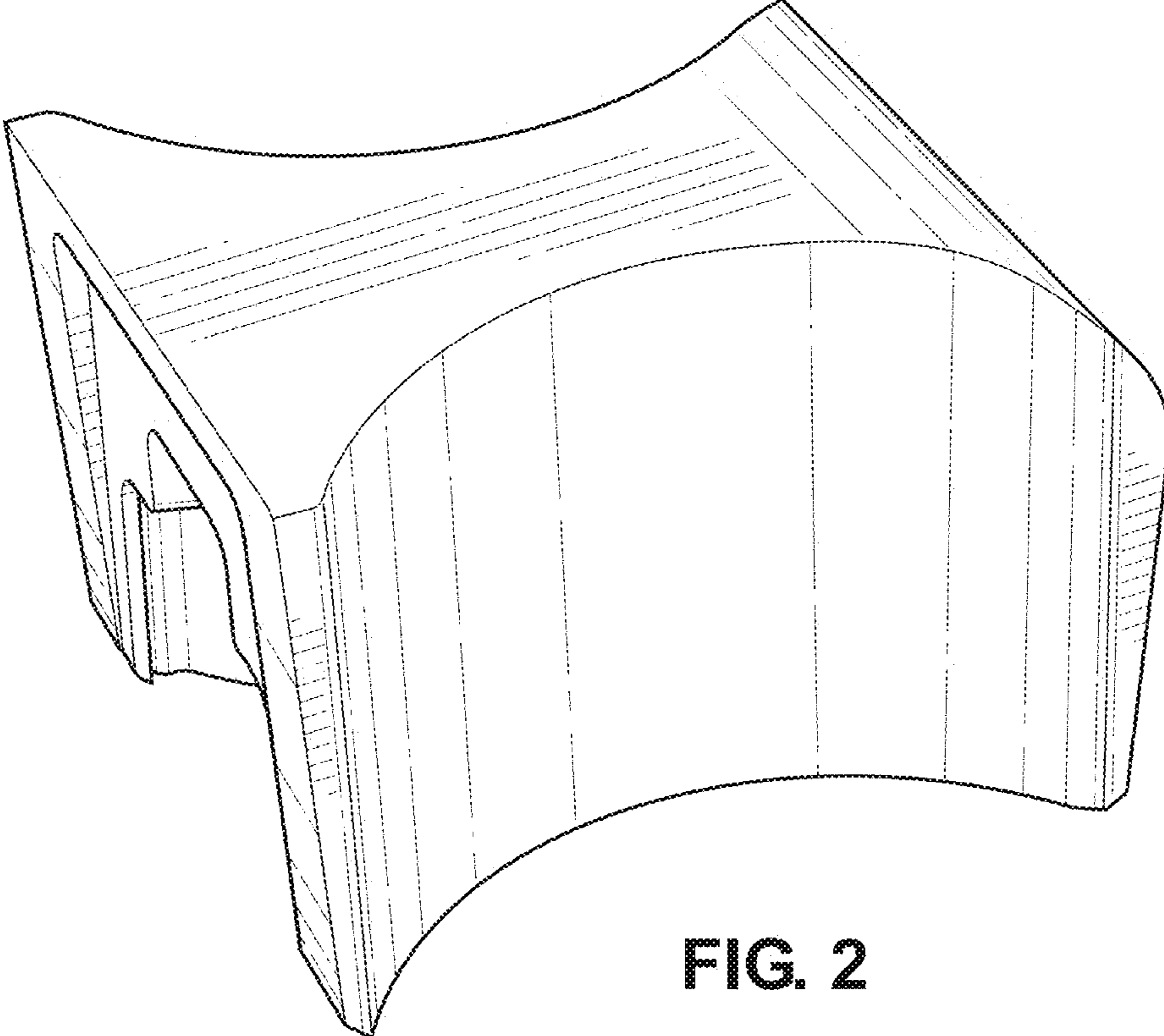
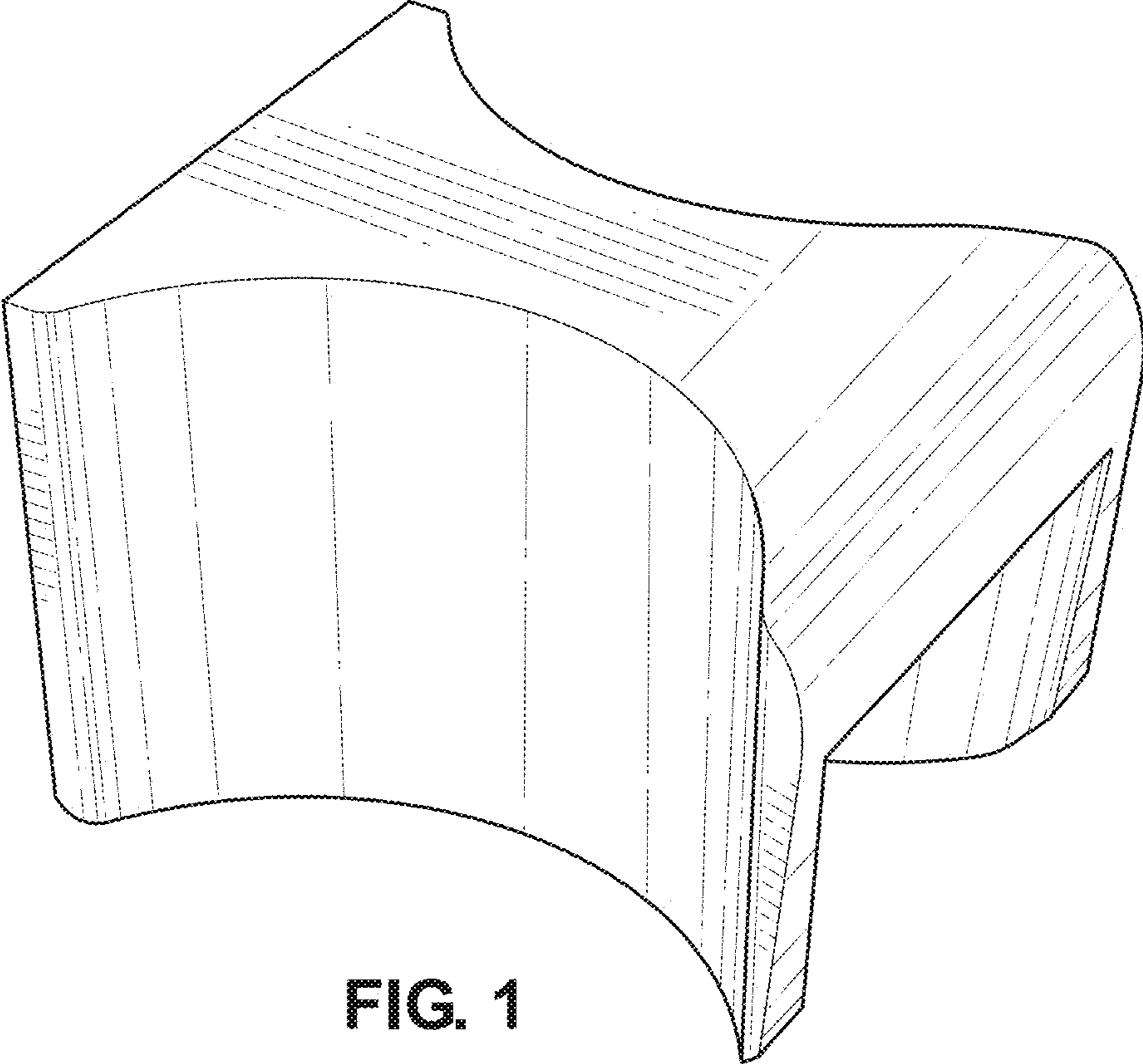
(56)

References Cited

U.S. PATENT DOCUMENTS

2011/0297715	A1*	12/2011	Kamiya	B60N 3/101 224/539
2011/0297717	A1*	12/2011	Kaemmer	B60N 3/108 224/567
2012/0194052	A1*	8/2012	Mclaughlin	B60N 3/101 312/312
2014/0158848	A1*	6/2014	Caruso	B60N 3/106 248/311.2
2015/0291090	A1*	10/2015	Koizumi	B60N 3/101 362/511

* cited by examiner



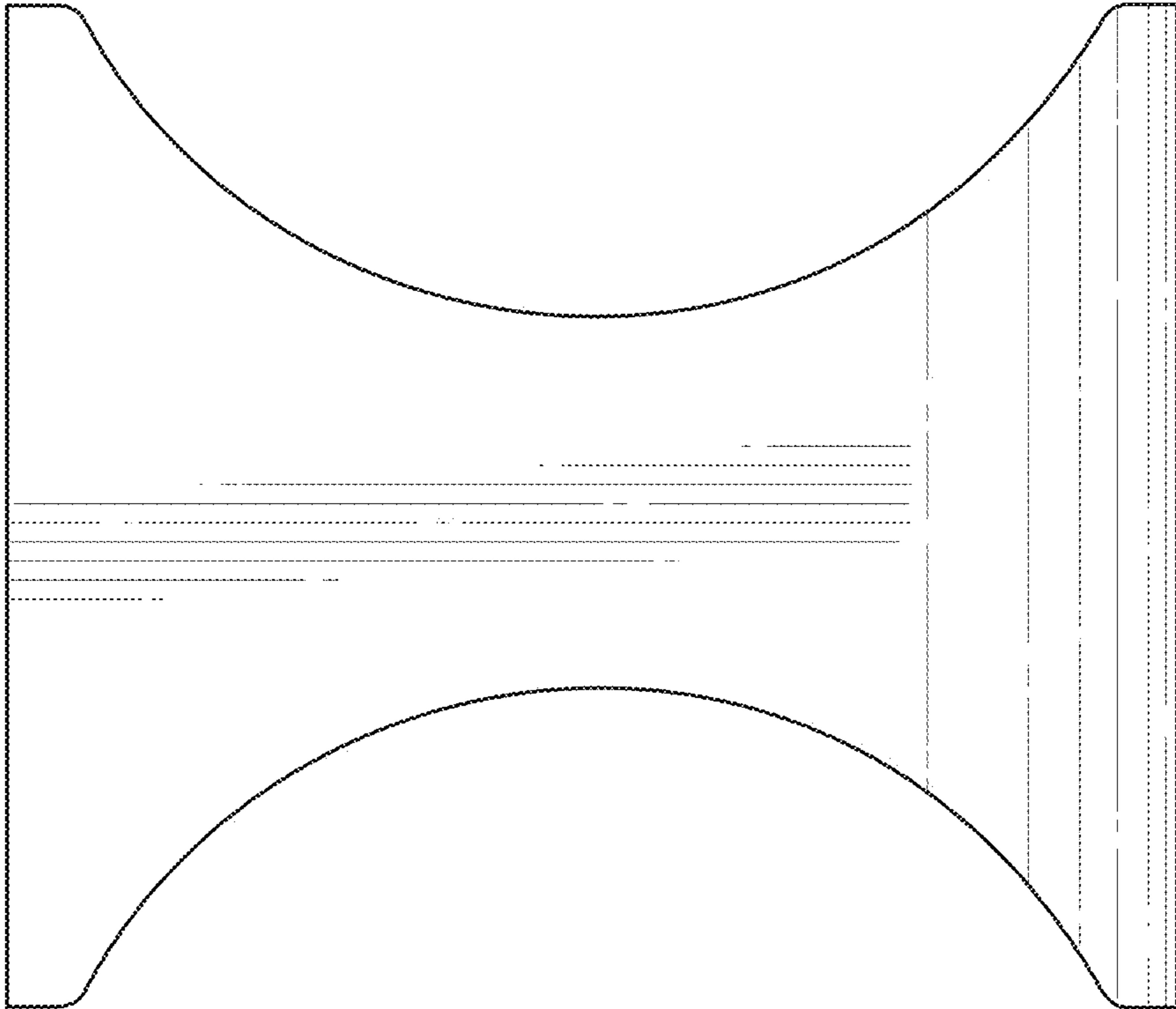


FIG. 3

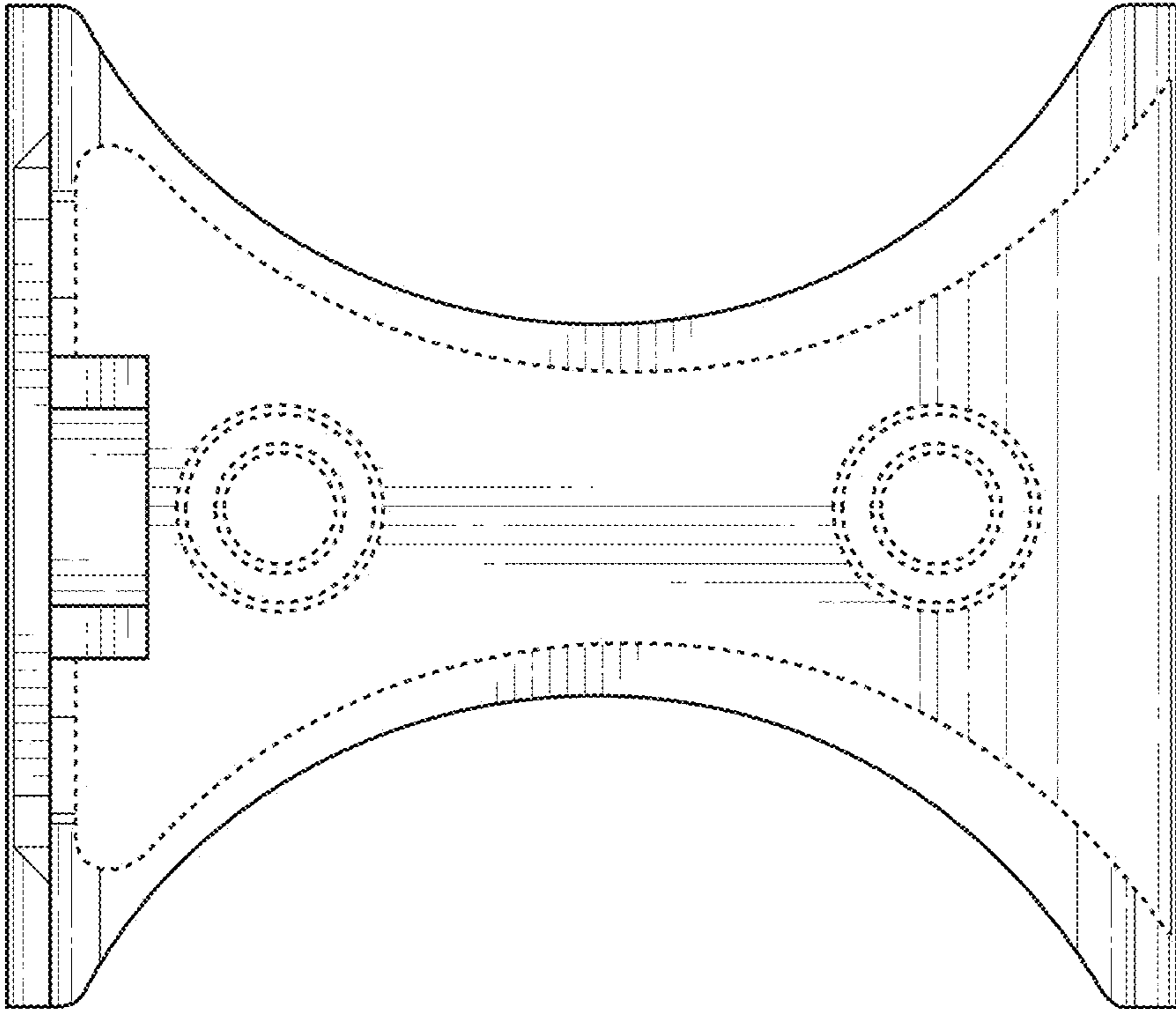


FIG. 4

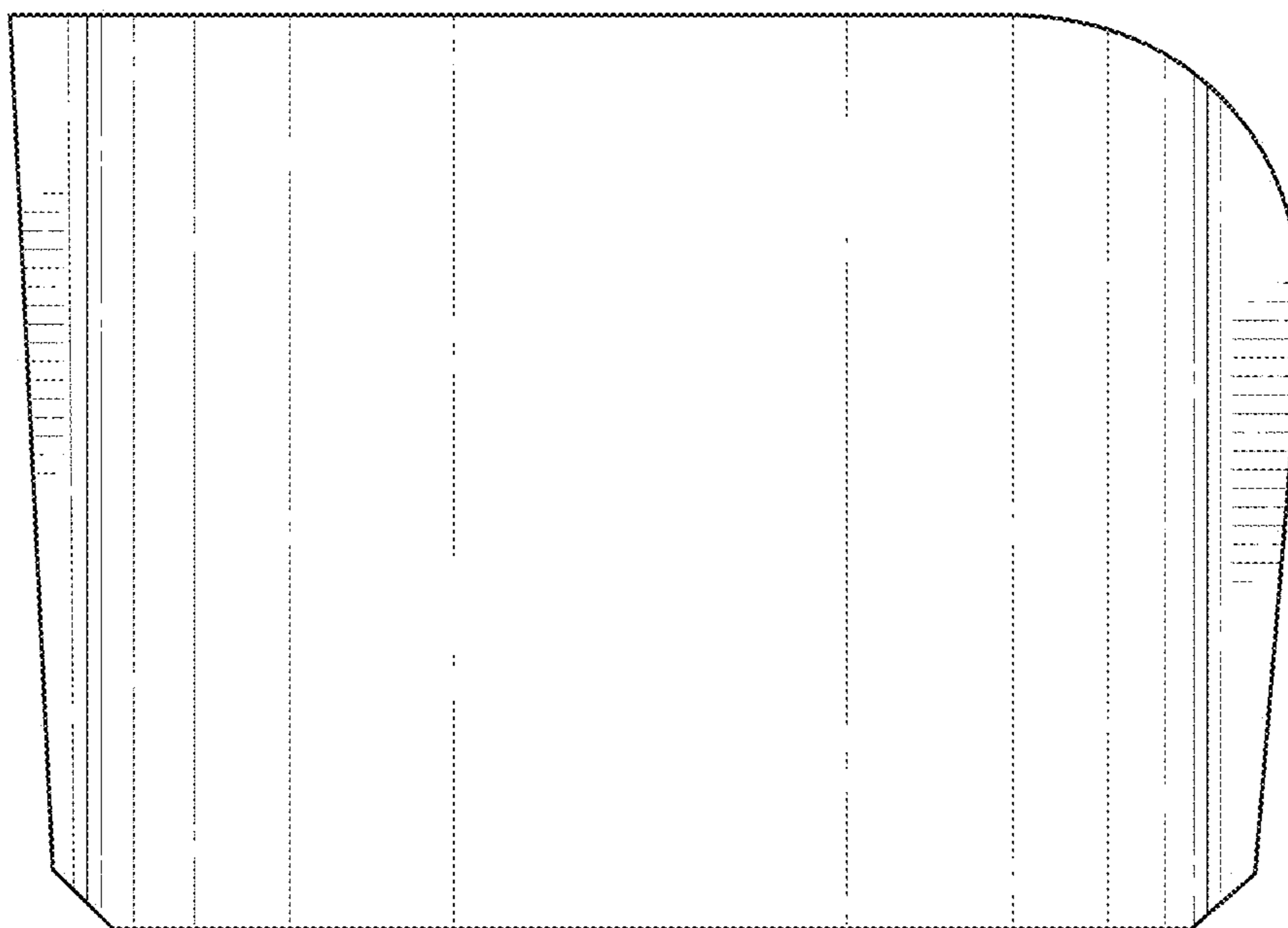


FIG. 5

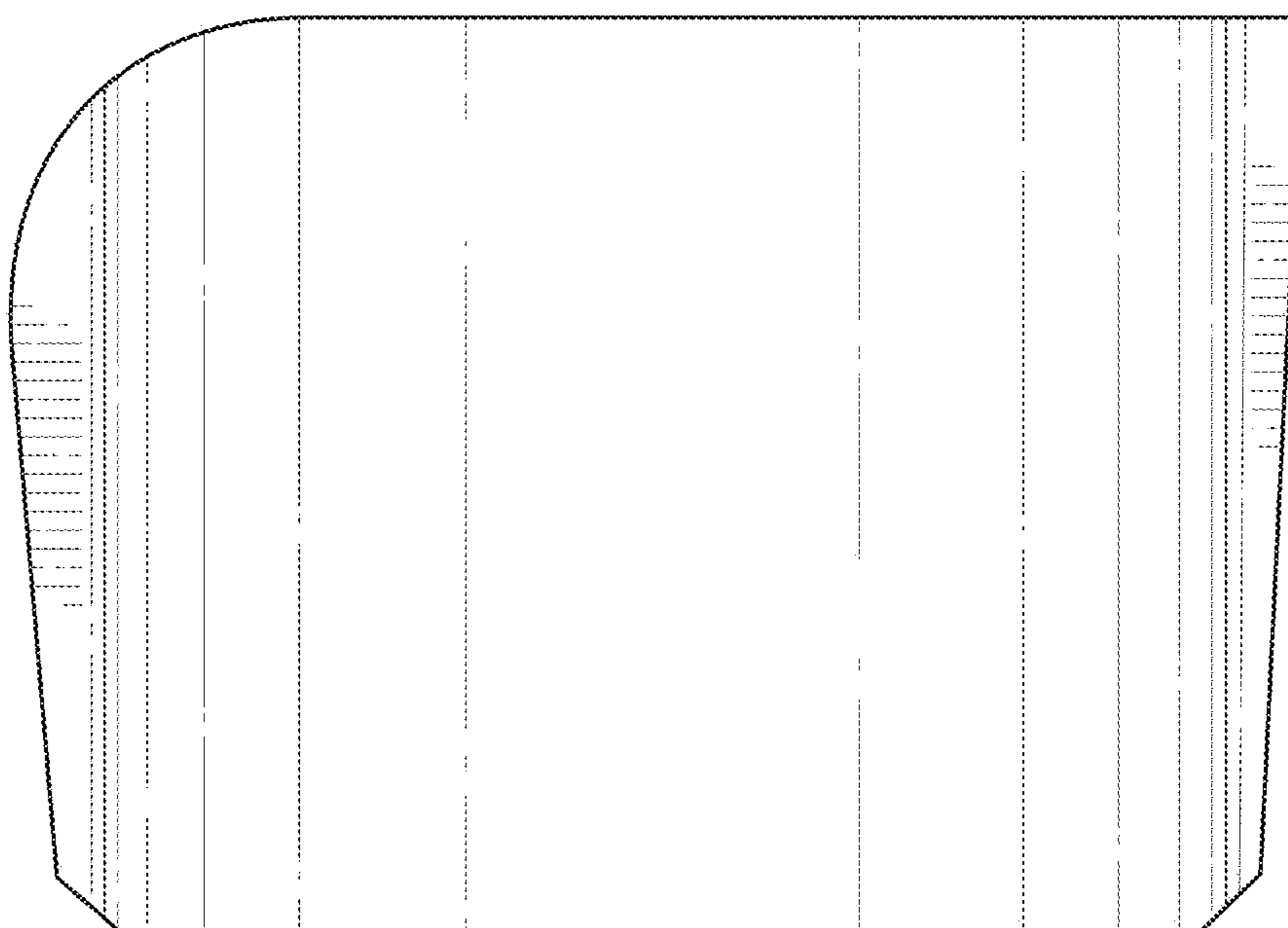


FIG. 6

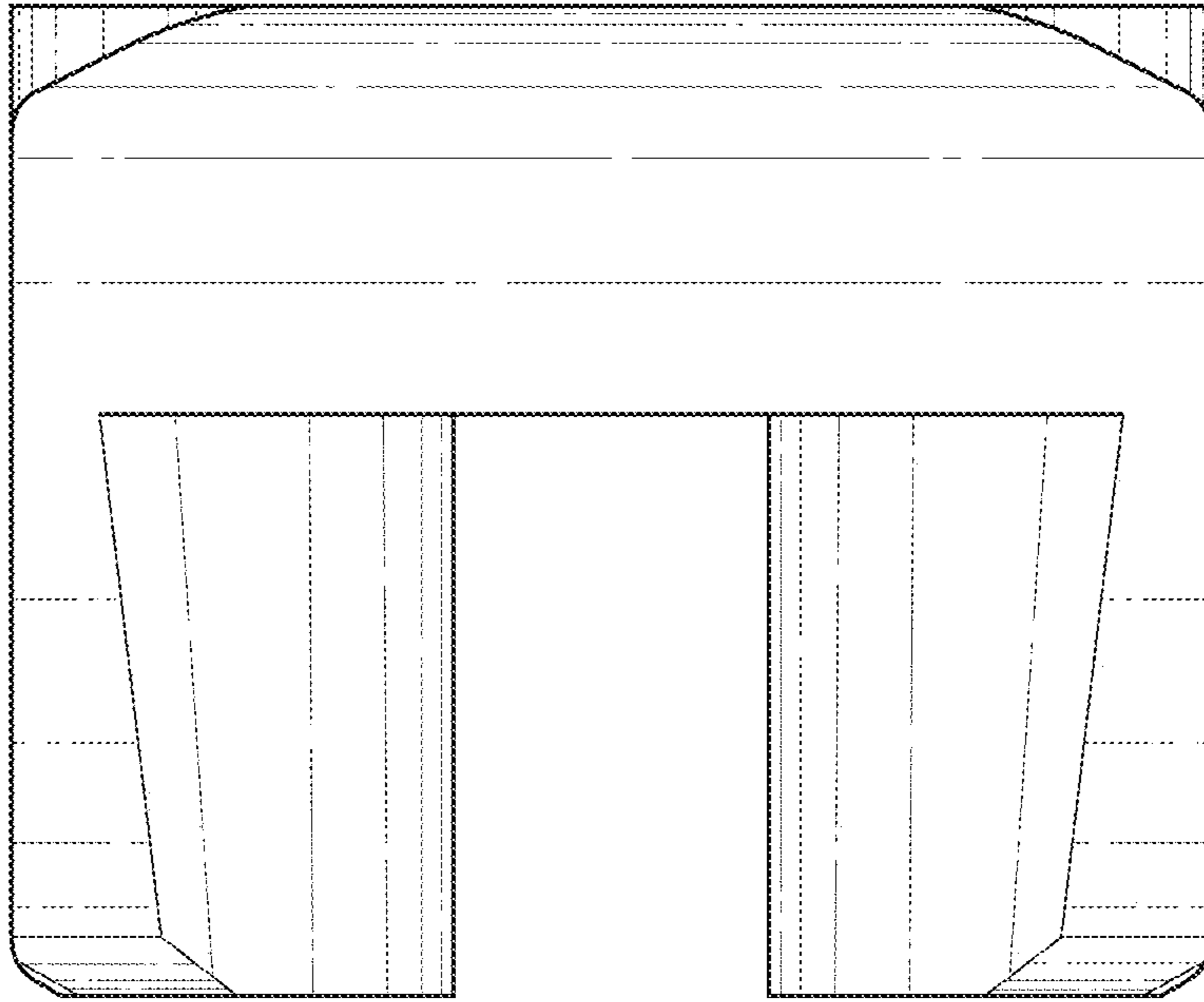


FIG. 7

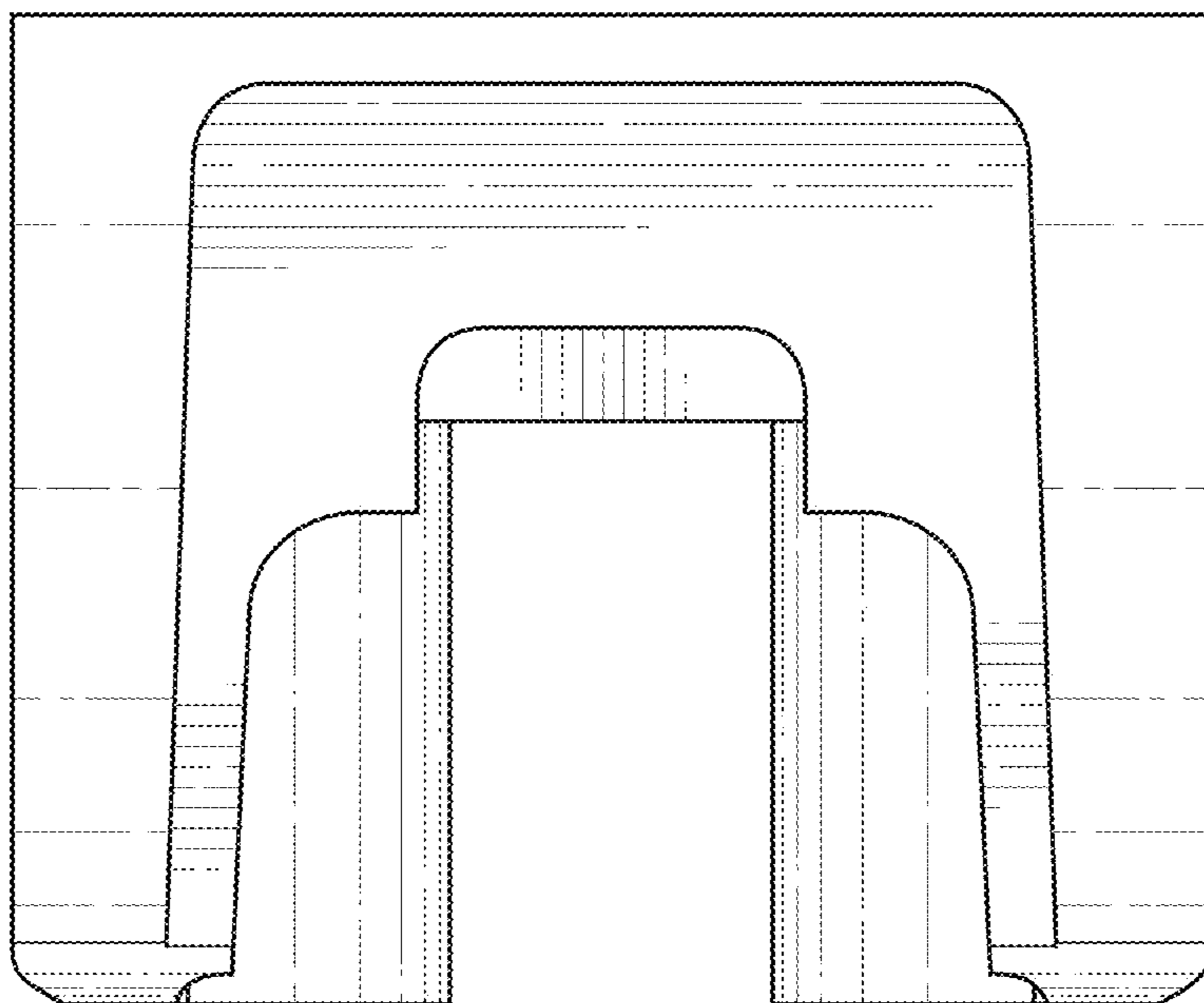


FIG. 8

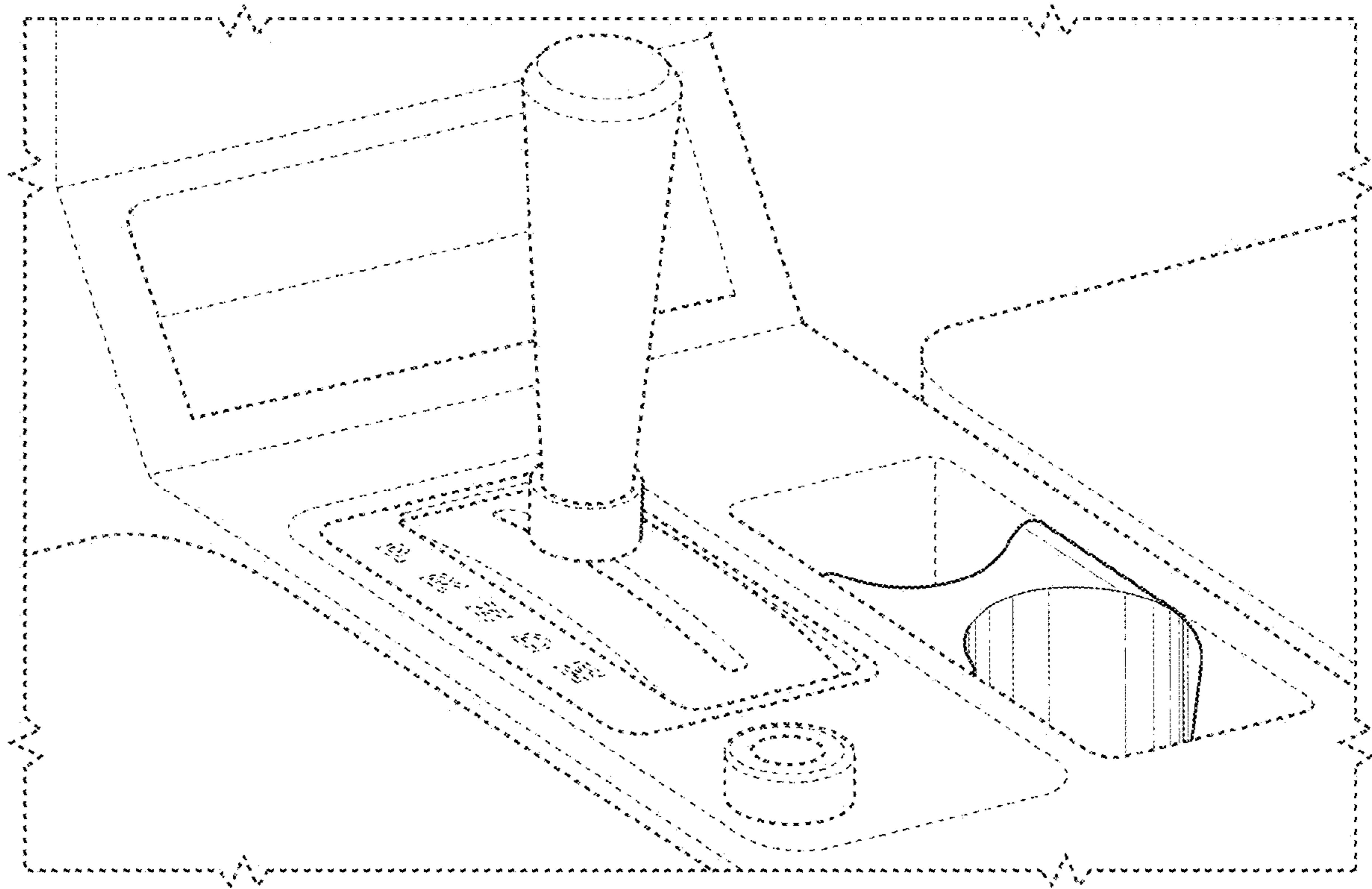


FIG. 9

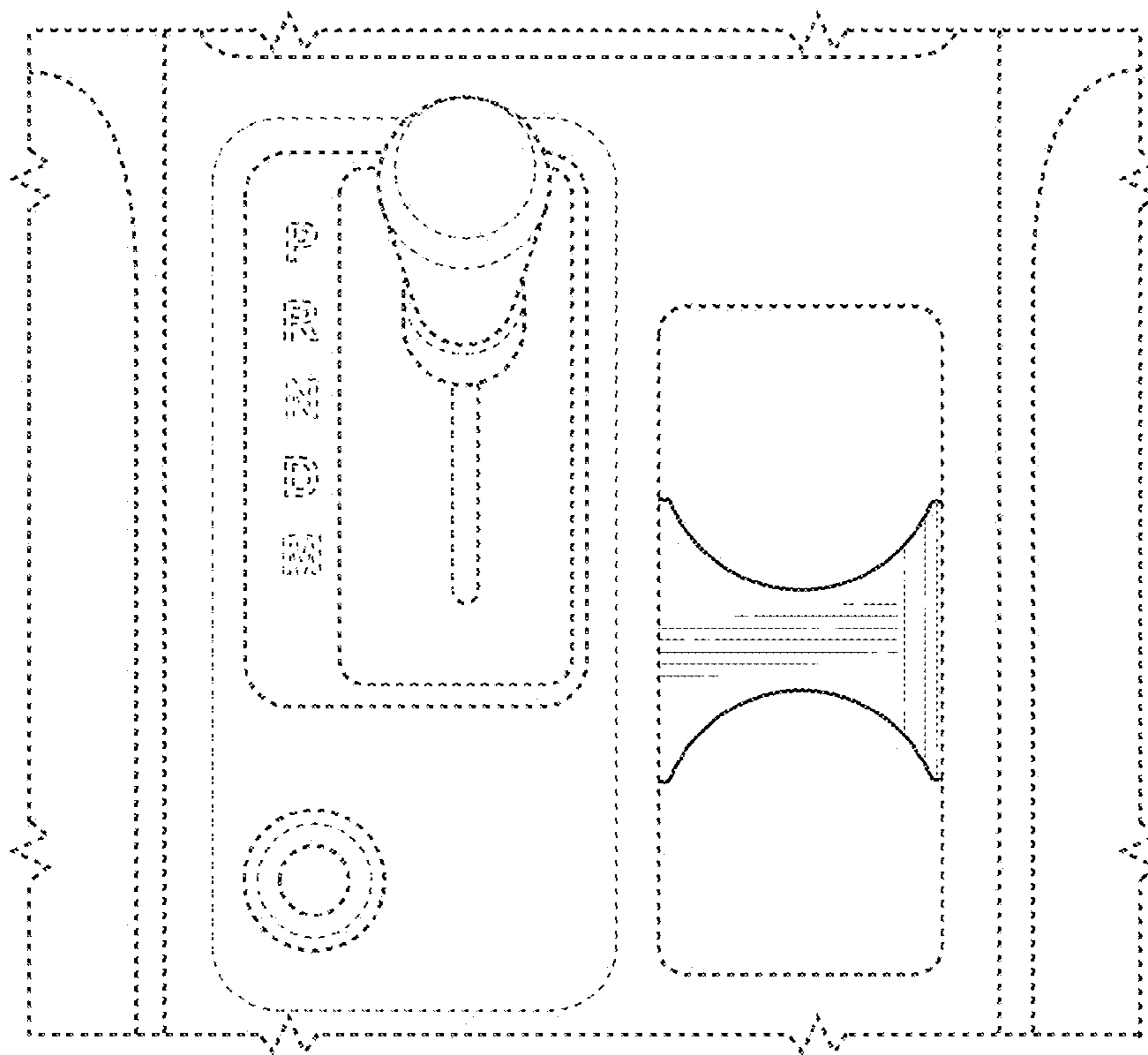


FIG. 10