



US00D875478S

(12) **United States Design Patent**
Bingham

(10) **Patent No.:** **US D875,478 S**

(45) **Date of Patent:** **** Feb. 18, 2020**

(54) **ADAPTER FOR A BEVERAGE CONTAINER THERMAL INSULATOR**

(71) Applicant: **Cliff Bingham**, Statesville, NC (US)

(72) Inventor: **Cliff Bingham**, Statesville, NC (US)

(**) Term: **15 Years**

(21) Appl. No.: **29/617,103**

(22) Filed: **Sep. 12, 2017**

Related U.S. Application Data

(63) Continuation of application No. 15/382,264, filed on Dec. 16, 2016.

(51) **LOC (12) Cl.** **07-01**

(52) **U.S. Cl.**
USPC **D7/608; D9/444**

(58) **Field of Classification Search**
USPC D7/392, 392.1, 396.2, 388, 605, 608;
D9/434, 436, 443, 446, 499, 444, 702;
D3/202

CPC A47G 23/02; A47G 23/0216; A47G
23/0241; A47G 2023/0283

See application file for complete search history.

(56) **References Cited**

U.S. PATENT DOCUMENTS

D267,397 S * 12/1982 Mitchell D9/444
5,143,247 A * 9/1992 Gavle A47G 23/0216
220/630

D332,891 S 2/1993 Cumberland
5,732,851 A 3/1998 Griffin et al.
D417,395 S * 12/1999 Sherts D9/444
D417,847 S * 12/1999 Rush D7/629
6,240,741 B1 6/2001 Dozhier
6,273,333 B1 * 8/2001 Ward A47G 23/0216
220/738

D480,599 S * 10/2003 Linz D7/392

D497,282 S * 10/2004 Kelly D7/300.1
6,814,252 B2 11/2004 Murakami et al.
D525,127 S * 7/2006 Cogley D9/456
D552,927 S * 10/2007 O'Leary D7/387
D614,451 S * 4/2010 Jensen D7/607
D662,767 S * 7/2012 Hotell D7/396.2
D671,406 S * 11/2012 Sawicki D9/434
D685,615 S 7/2013 Altieri
D718,136 S * 11/2014 Harrity D9/499

(Continued)

OTHER PUBLICATIONS

Totally Promotional. Collapsible Foam Bottle Sleeve. 2019.
<URL:https://www.totallypromotional.com/collapsible-foam-bottle-sleeve-blank.html>. (Year: 2019).*

(Continued)

Primary Examiner — Darcey E Gottschalk

(74) *Attorney, Agent, or Firm* — Harness, Dickey & Pierce, P.L.C.; Anthony G. Fussner

(57) **CLAIM**

The ornamental design for an adapter for a beverage container thermal insulator, as shown and described.

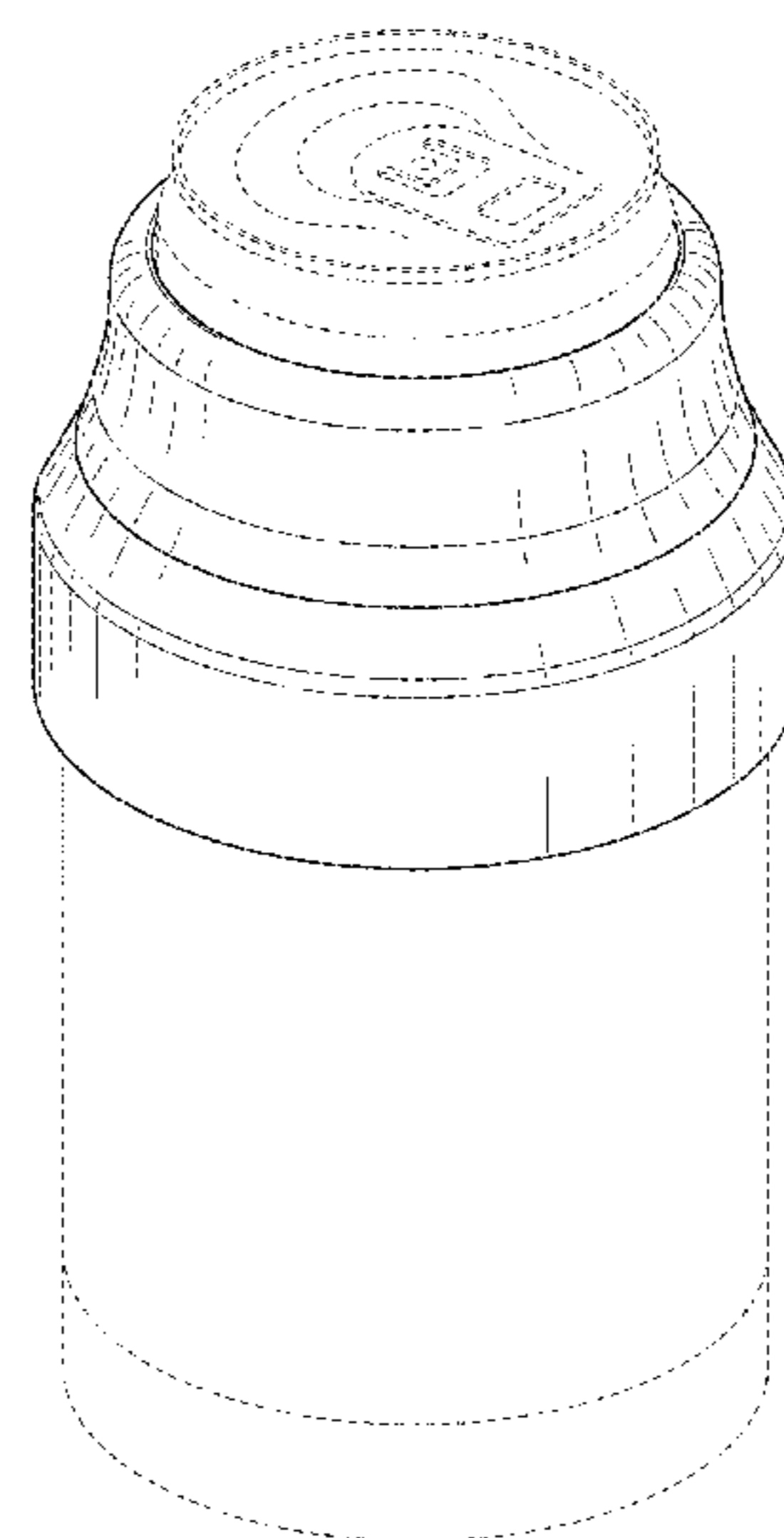
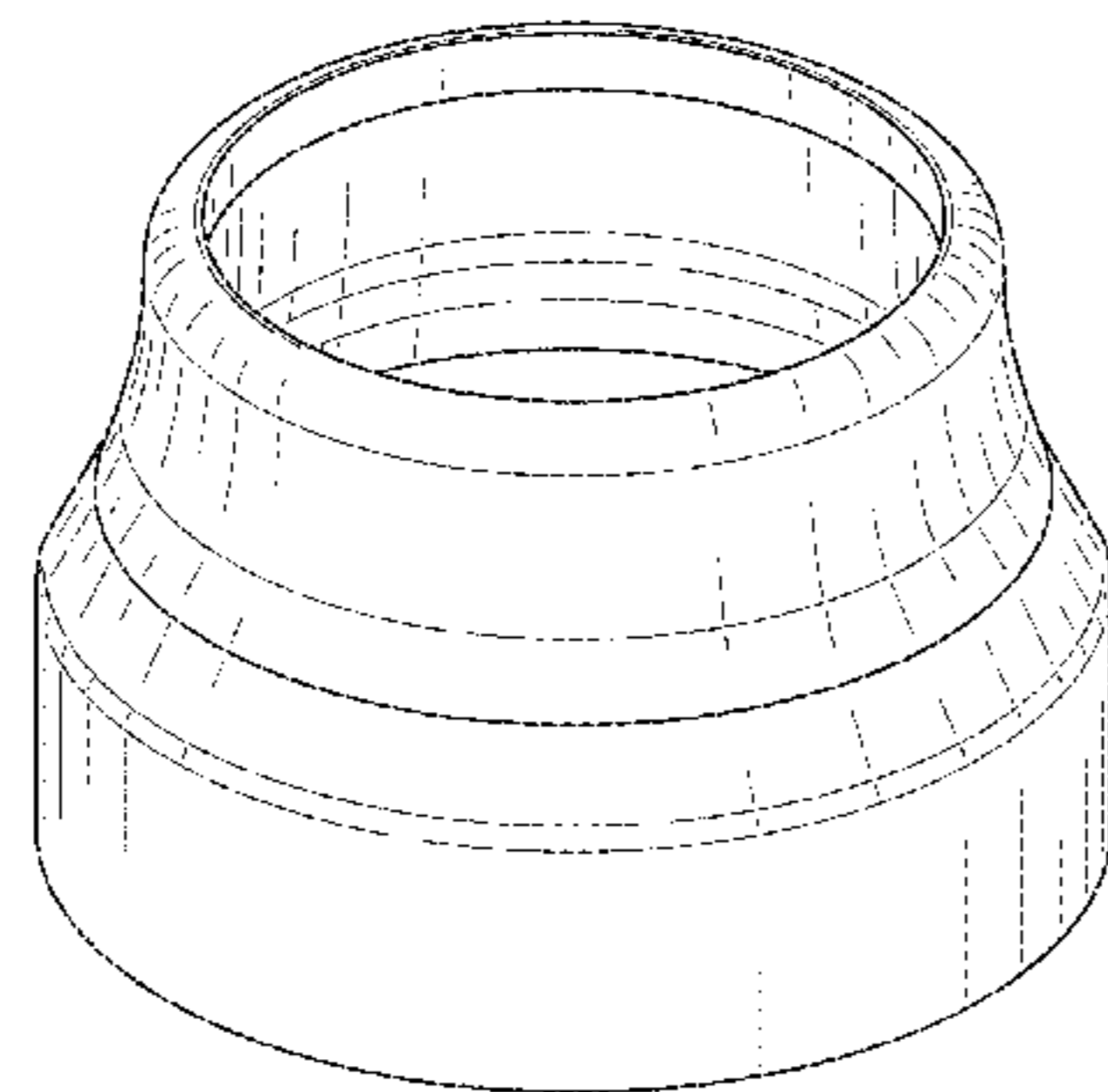
DESCRIPTION

FIG. 1 is a perspective view of an adapter for a beverage container thermal insulator showing my new design; FIG. 2 is an elevation view of the adapter shown in FIG. 1; FIG. 3 is a top plan view of the adapter shown in FIG. 1; FIG. 4 is a bottom plan view of the adapter shown in FIG. 1; and,

FIG. 5 is a perspective view showing the adapter shown in FIGS. 1 to 4 being used with a 12-ounce slim can and a stainless steel can cooler.

In the drawings, the details shown in broken lines depict environmental subject matter only and form no part of the claimed design.

1 Claim, 5 Drawing Sheets



(56)

References Cited

U.S. PATENT DOCUMENTS

D763,685 S * 8/2016 Arriaga D9/436
D768,004 S * 10/2016 Chiorazzi D9/702
D805,840 S * 12/2017 Povey D7/396.2
D808,733 S * 1/2018 Spivey D7/608
D812,434 S * 3/2018 Gerner D7/608
D836,403 S * 12/2018 Spivey D7/608
2018/0110350 A1 * 4/2018 Bingham A47G 23/02
2018/0220820 A1 * 8/2018 Shelton A47G 23/0216

OTHER PUBLICATIONS

Overstock. Stainless steel Beer Insulator With Neoprene Sleeve Insulated Beer. 2019. <URL:<https://www.overstock.com/Home-Garden/Stainless-steel-Beer-Insulator-With-Neoprene-Sleeve-Insulated-Beer/22972127/product.html>>. (Year: 2019).*

Nonfinal Office Action from U.S. Appl. No. 15/382,264, filed Dec. 16, 2016 which is the parent application to the instant application; dated Feb. 28, 2019, 13 pages.

Converter Cap for CTM2700 Thermos Can Insulator, <http://stores.chillingthemost.com/converter-cap-for-ctm2700-thermos-can-insulator-qty-2> . . . , accessed Oct. 18, 2016, 2 pages.

Yeti Rambler Colster® Beer Insulator, <http://yeti.com/colster/>, accessed Oct. 25, 2016, 4 pages.

Asobu Frosty Beer 2 Go Vacuum Insulated Double Walled Stainless Steel Beer Bottle and Can Cooler with Beer Opener; <https://www.amazon.com/Frosty-Vacuum-Insulated-Double-Stainless/dp>; accessed Aug. 29, 2017; 6 pgs.

Cool-it, silicone insulator/adapter for stainless steel can coolers; <https://amazon.com/Cool-it-stainless-steel-koozie-adapter/dp>; accessed Aug. 29, 2017; 7 pgs.

* cited by examiner

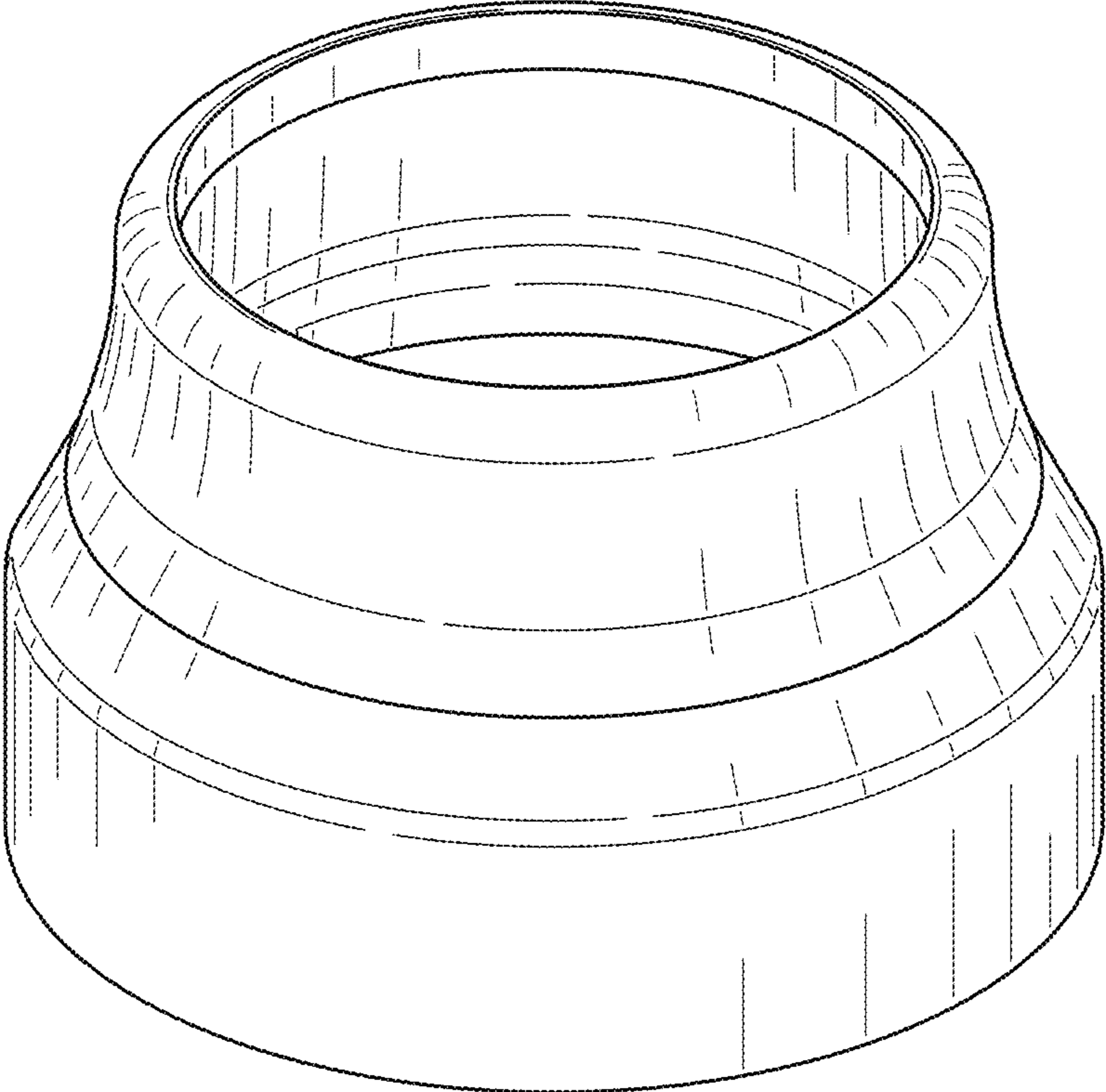


FIG. 1

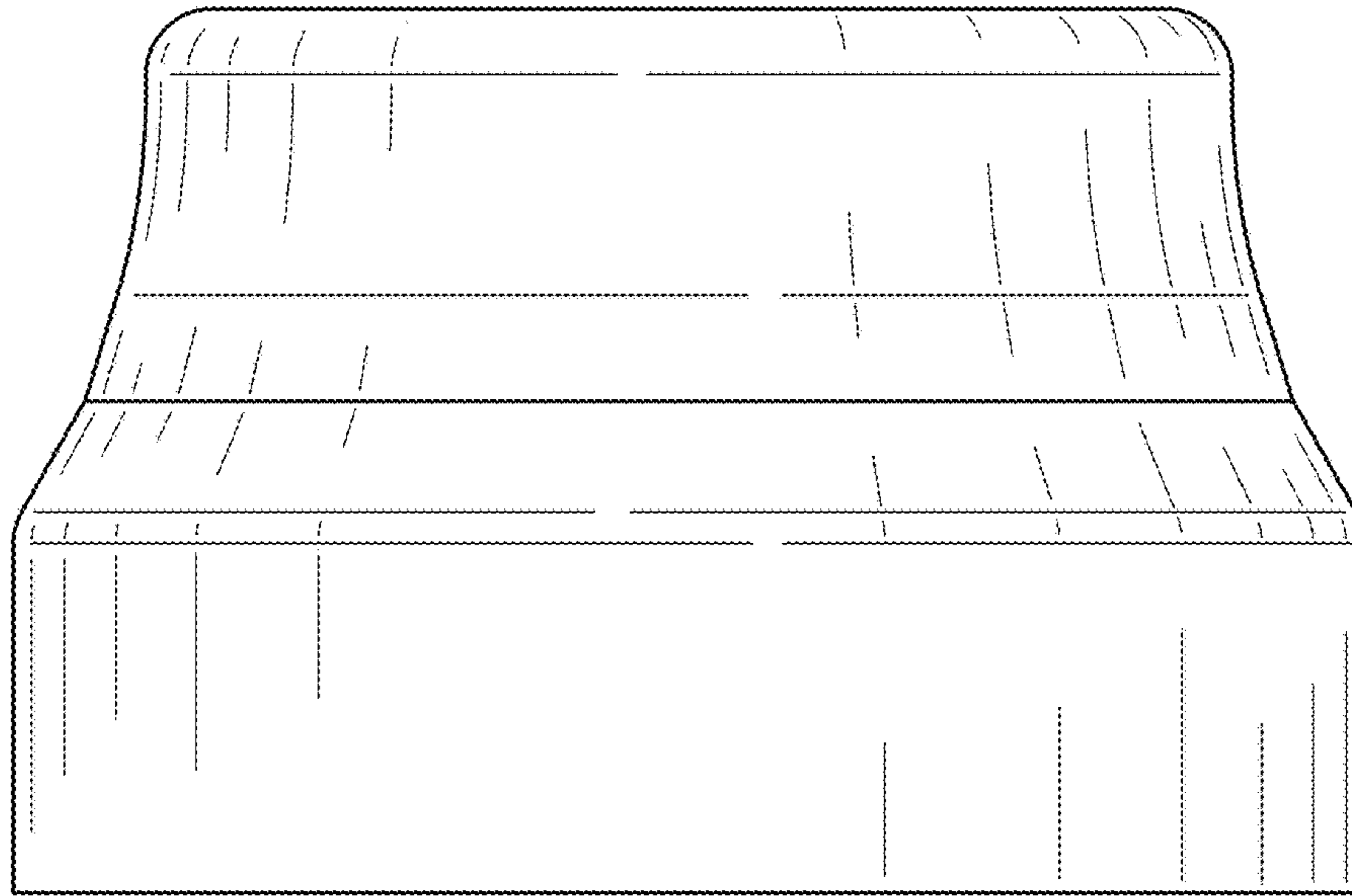


FIG. 2

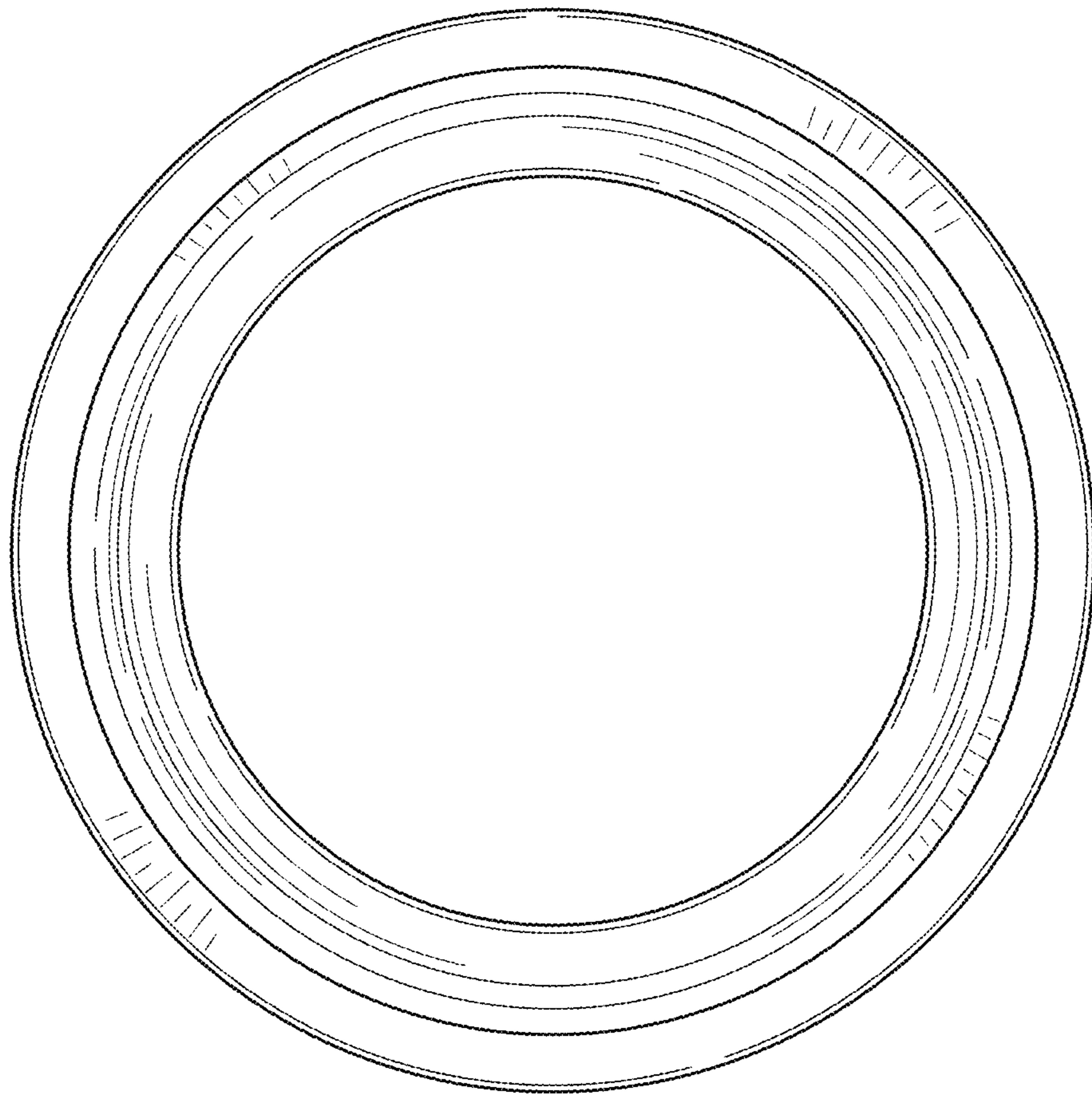


FIG. 3

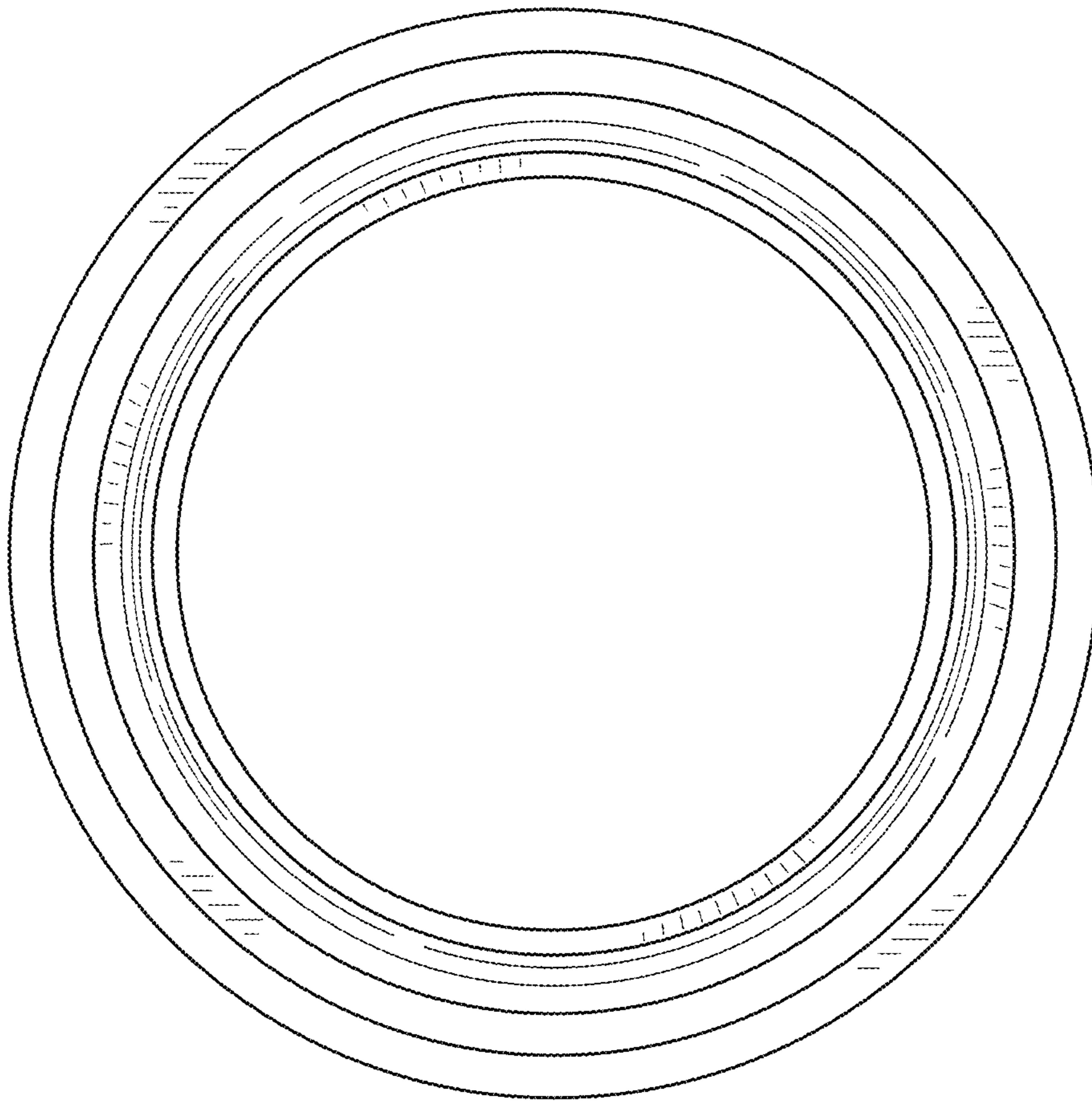


FIG. 4

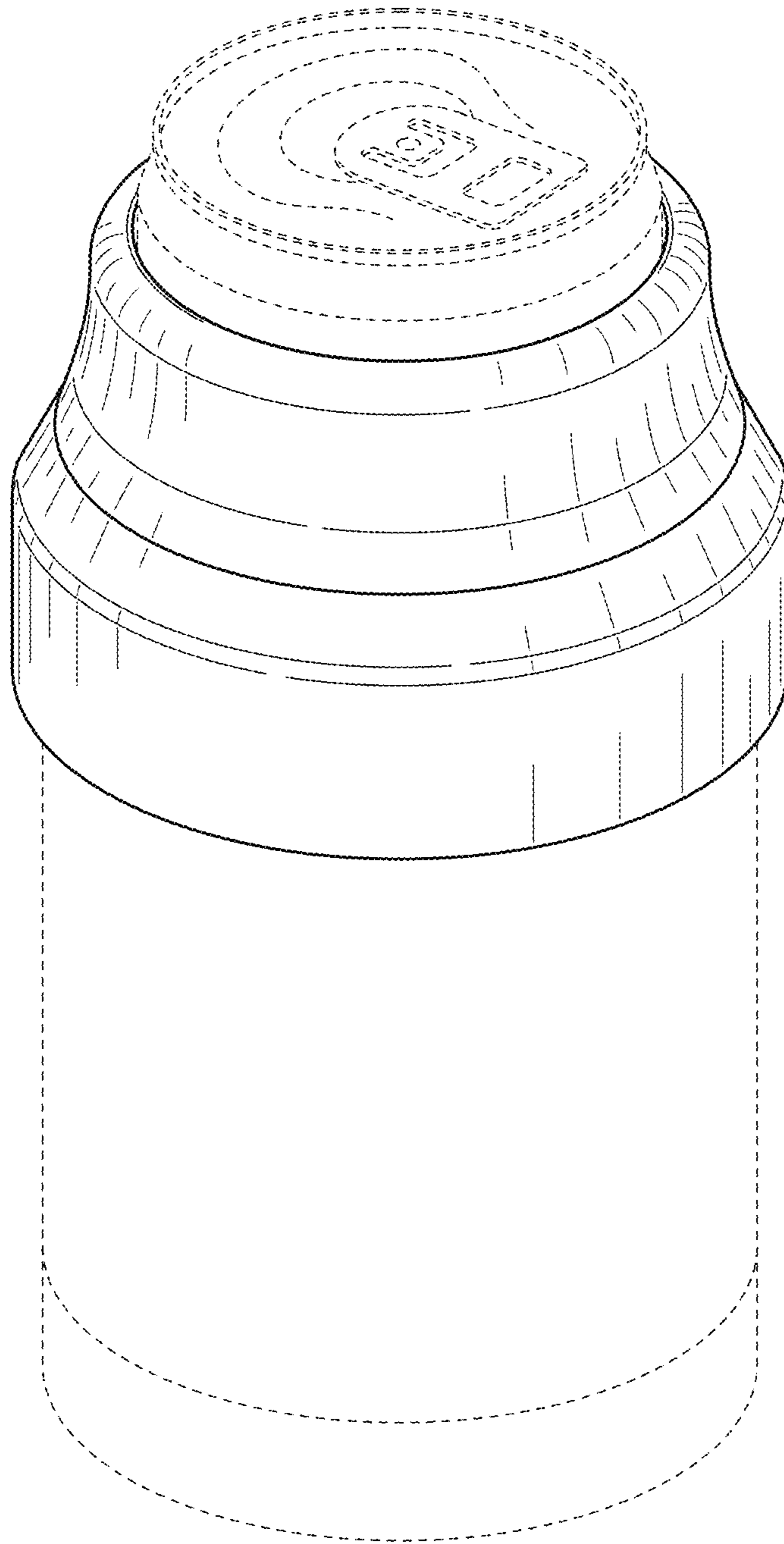


FIG. 5