

US00D875476S

(12) **United States Design Patent**  
**Tuang**

(10) **Patent No.:** **US D875,476 S**

(45) **Date of Patent:** **\*\* Feb. 18, 2020**

(54) **STACKABLE SHELF**

(71) Applicant: **EP Family Corp.**, Walnut, CA (US)

(72) Inventor: **Bao-Yi Tuang**, Walnut, CA (US)

(\*\*) Term: **15 Years**

(21) Appl. No.: **29/619,673**

(22) Filed: **Sep. 29, 2017**

(51) **LOC (12) Cl.** ..... **07-99**

(52) **U.S. Cl.**  
USPC ..... **D7/600.4; D3/306**

(58) **Field of Classification Search**  
USPC ..... D7/600.4, 600.1, 590; D3/306  
CPC ..... A47J 47/16; A47B 81/00; A47F 7/002;  
A47F 7/00; A47F 5/13; A47F 5/01  
See application file for complete search history.

(56) **References Cited**

**U.S. PATENT DOCUMENTS**

D547,094 S *	7/2007	Klein	.....	D6/705.6
D556,475 S *	12/2007	Butler	.....	D6/675.2
D556,476 S *	12/2007	Butler	.....	D6/675.2
D584,056 S *	1/2009	Ghiorghie	.....	D3/304
D639,603 S *	6/2011	Degnan	.....	D7/354
D640,501 S *	6/2011	Zemel	.....	D7/354
D653,497 S *	2/2012	Cloutier	.....	D7/354
8,141,737 B1 *	3/2012	Tsai	.....	B65D 7/14 220/485
D658,427 S *	5/2012	Cloutier	.....	D7/360
D675,849 S *	2/2013	Tawil	.....	D6/705.6
D689,946 S *	9/2013	Hu	.....	D19/92
D692,668 S *	11/2013	Hu	.....	D3/306
D699,987 S *	2/2014	Angvall	.....	D6/675.5
D739,681 S *	9/2015	Bee	.....	D7/600.4
D752,906 S *	4/2016	Gunderson	.....	D6/675.1
D758,732 S *	6/2016	Goodman	.....	D3/306
D772,016 S *	11/2016	Tsai	.....	D6/675.2

D781,621 S *	3/2017	Nava	.....	D6/675.2
D785,979 S *	5/2017	Snider	.....	D6/675.1
D786,009 S *	5/2017	Mirchandani	.....	D7/354
D796,259 S *	9/2017	McGrath	.....	D7/354
D799,897 S *	10/2017	McGrath	.....	D7/409
D814,190 S *	4/2018	Mishan	.....	D3/306
2006/0283817 A1 *	12/2006	Yang	.....	A47L 19/04 211/41.4

\* cited by examiner

*Primary Examiner* — Cynthia R Underwood

(74) *Attorney, Agent, or Firm* — Tommy SF Wang; Wang IP Law Group, P.C.

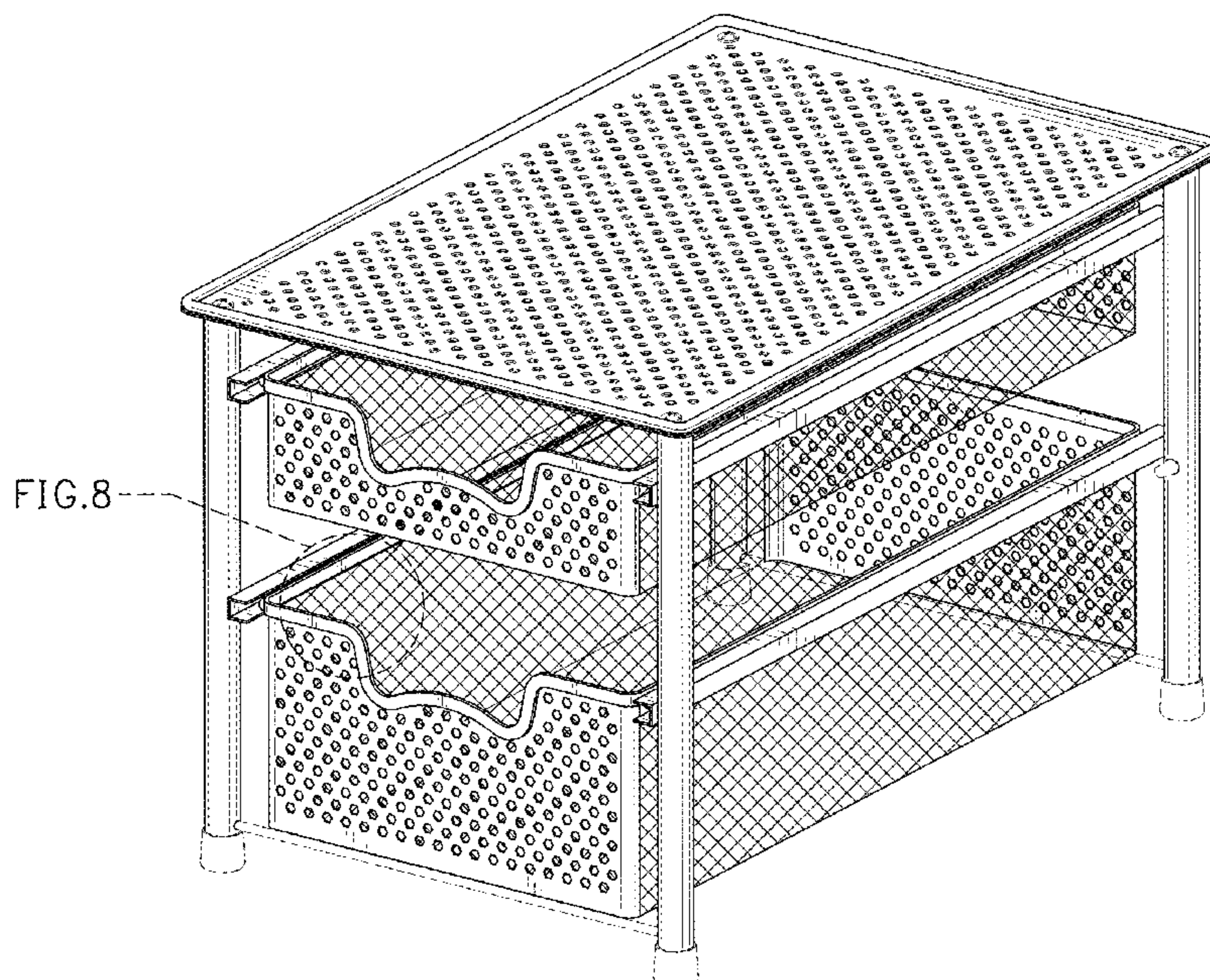
(57) **CLAIM**

The ornamental design for a stackable shelf, as shown and described.

**DESCRIPTION**

FIG. 1 is a perspective view of a stackable shelf showing my new design;  
 FIG. 2 is a front view thereof;  
 FIG. 3 is a rear view thereof;  
 FIG. 4 is a left side view thereof;  
 FIG. 5 is a right side view thereof;  
 FIG. 6 is a top view thereof;  
 FIG. 7 is a bottom view thereof;  
 FIG. 8 is an enlarged view of an indicated portion of FIG. 1;  
 FIG. 9 is another perspective view thereof with drawers of the stackable shelf pulled out of the stackable shelf; and,  
 FIG. 10 is the other perspective view thereof with an additional stackable shelf drawn in broken lines.  
 The broken line portions of the stackable shelf in FIGS. 1-10 represent unclaimed portions of the claimed design and form no part thereof. The broken lines of the additional stackable shelf in FIG. 10 illustrate unclaimed environment and forms no part of the claimed design.

**1 Claim, 10 Drawing Sheets**





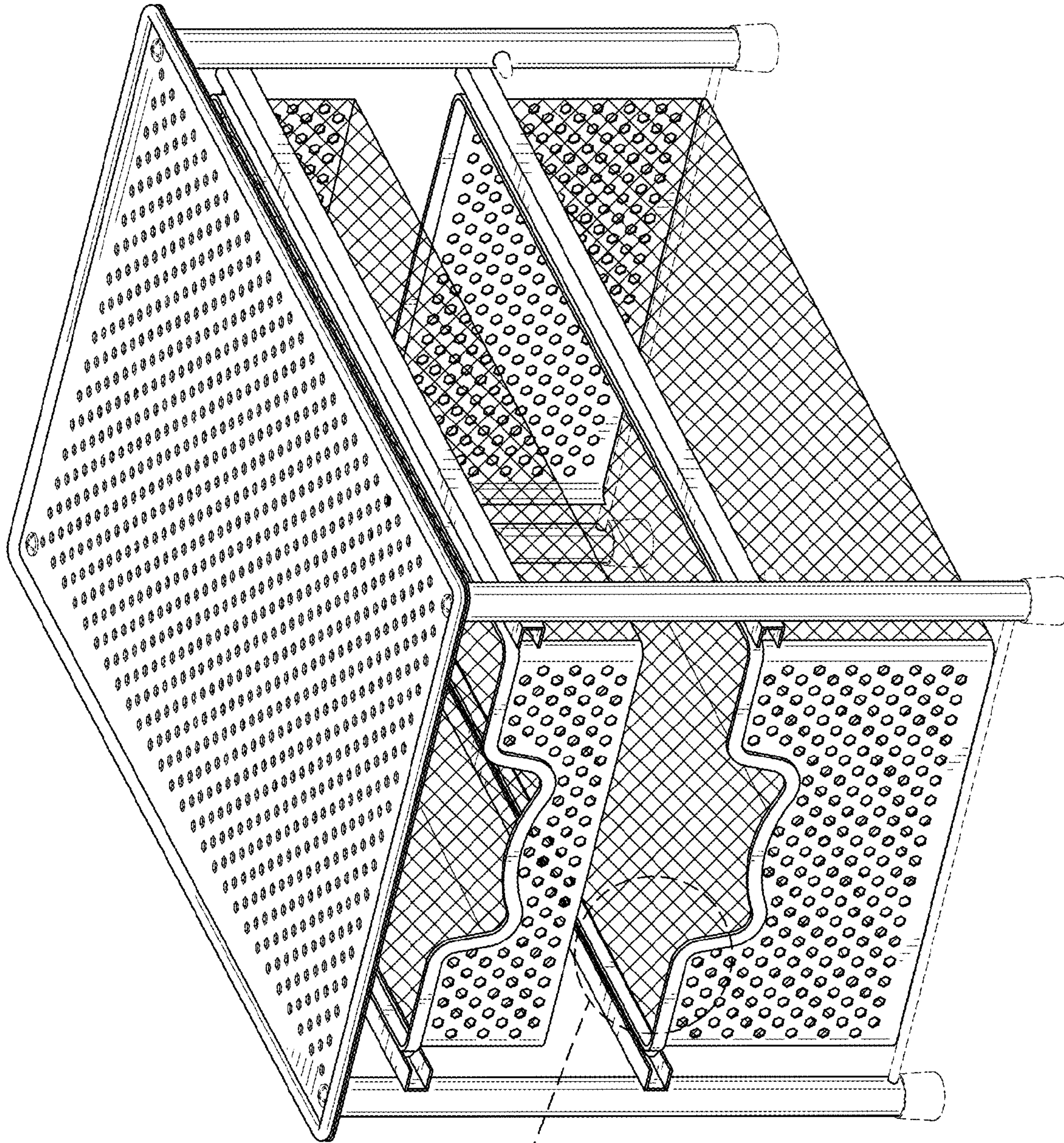


FIG. 8

FIG. 1

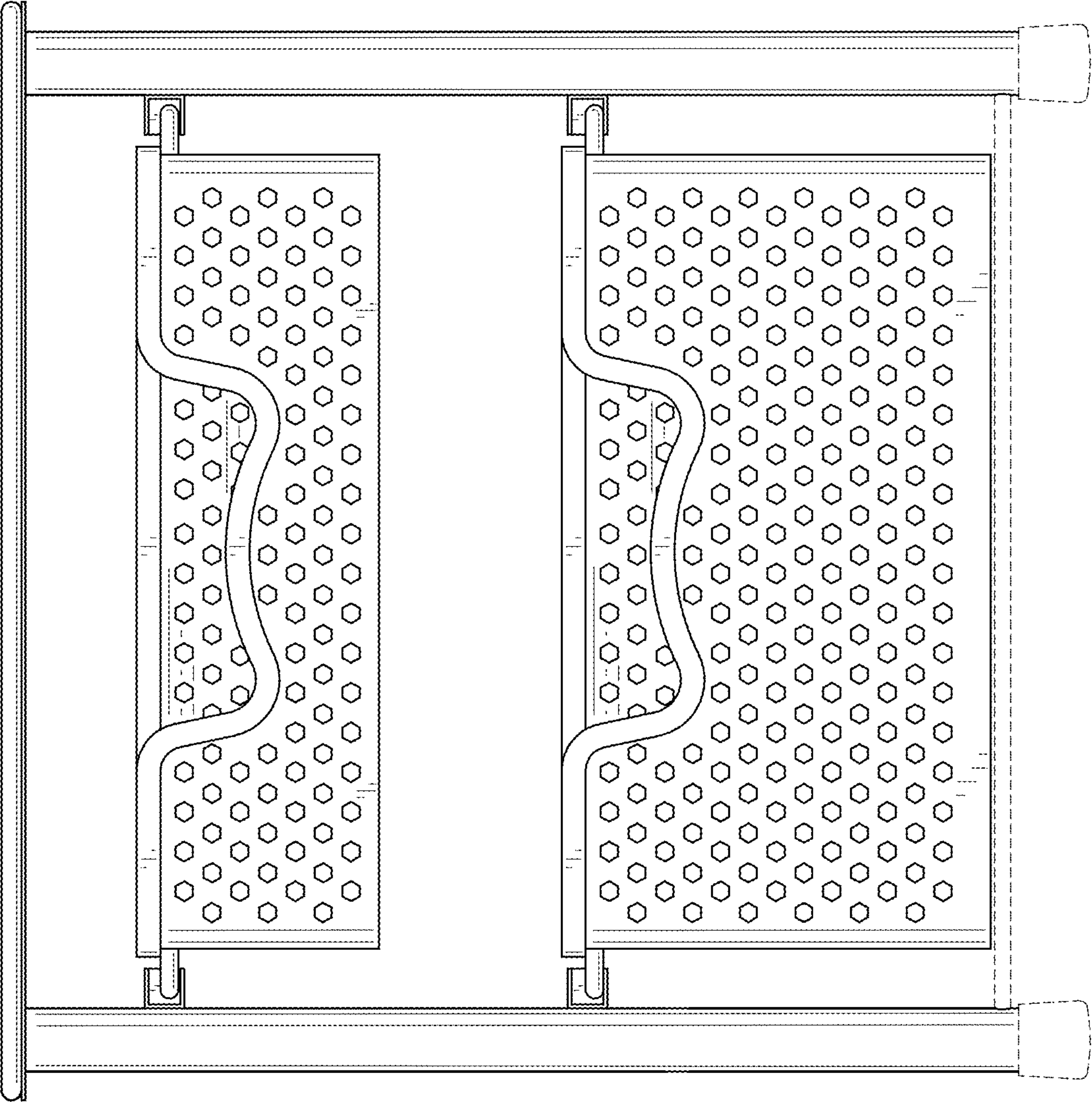


FIG. 2



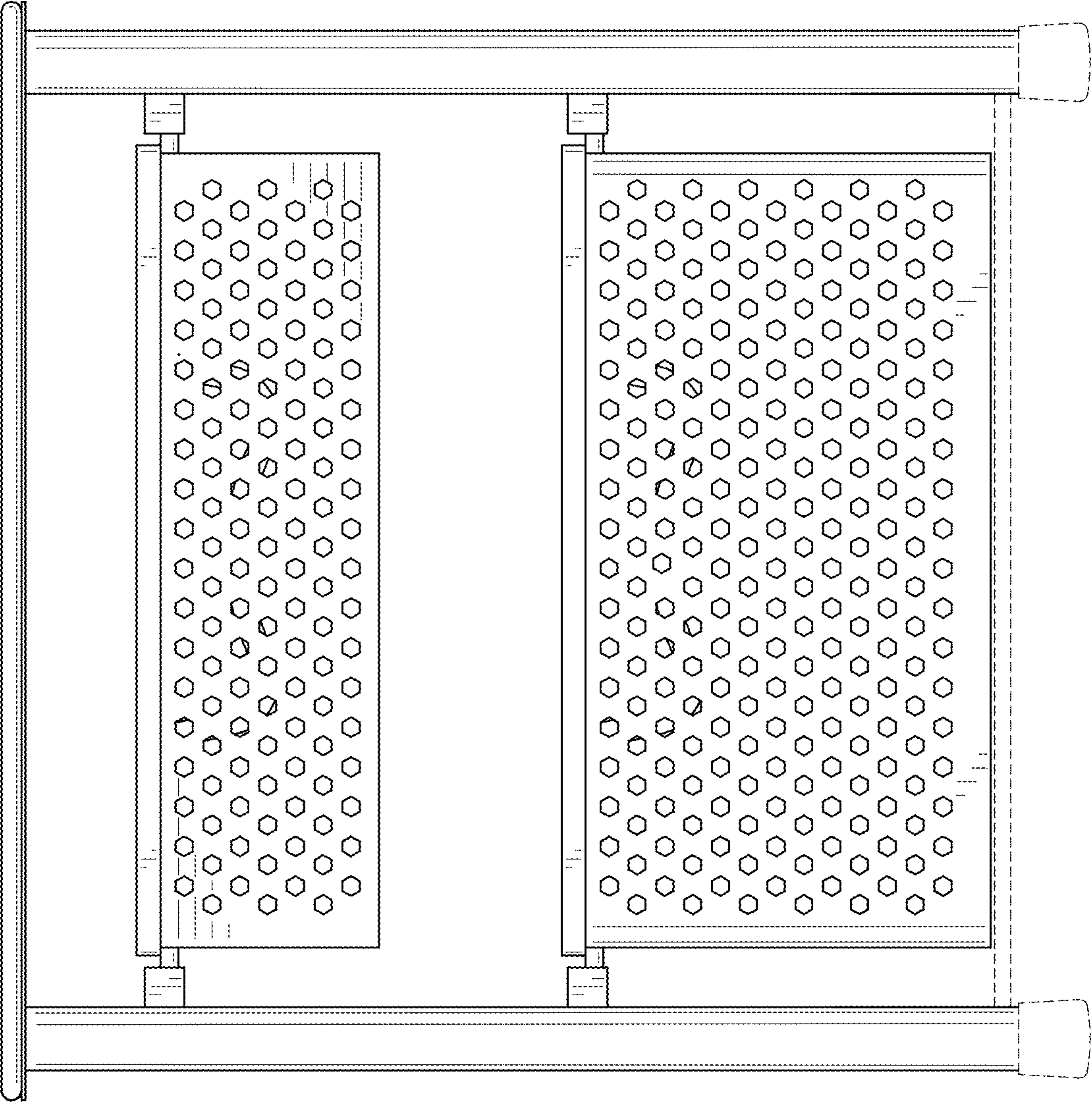


FIG. 3

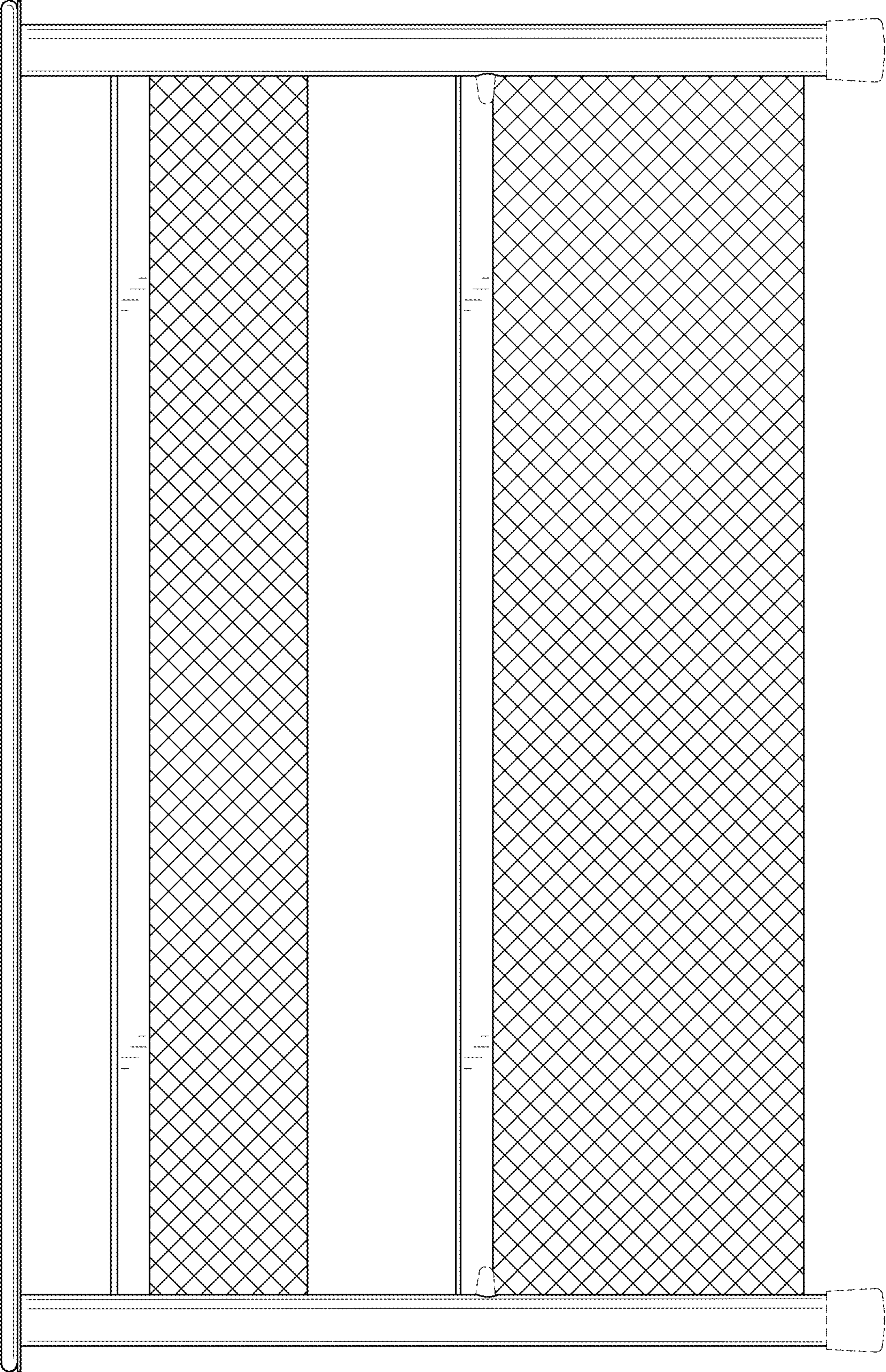


FIG. 4



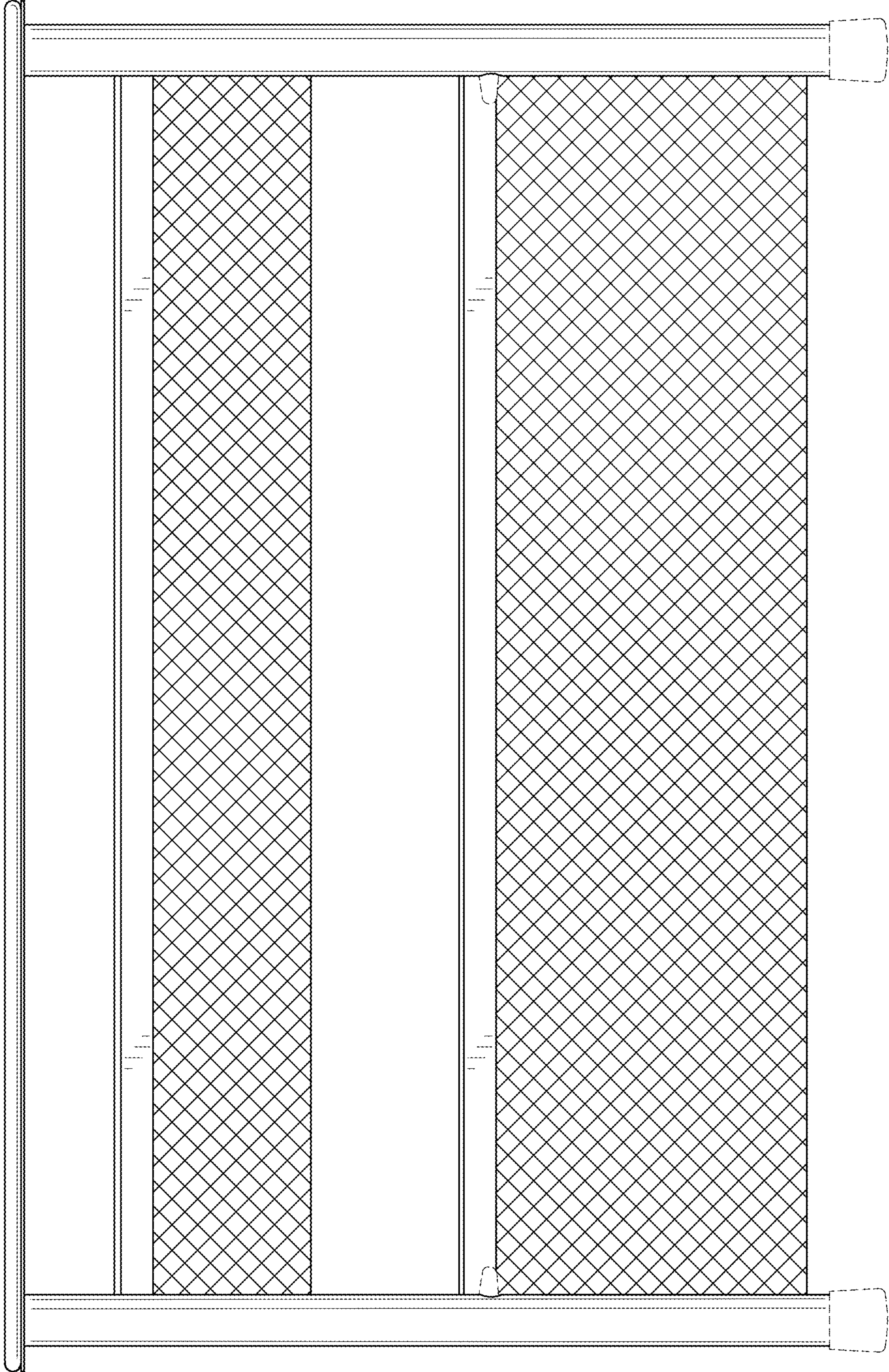


FIG. 5



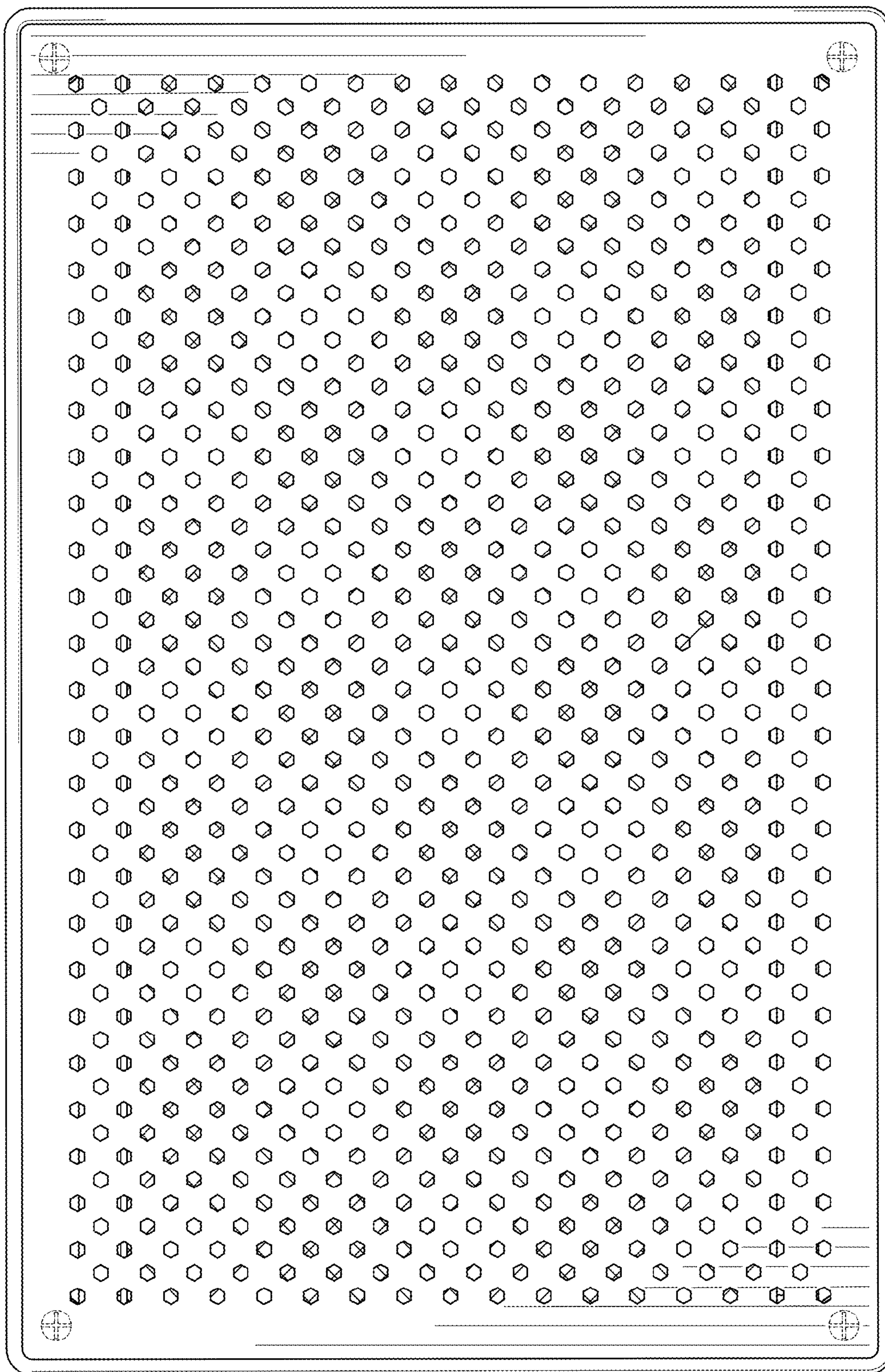


FIG. 6



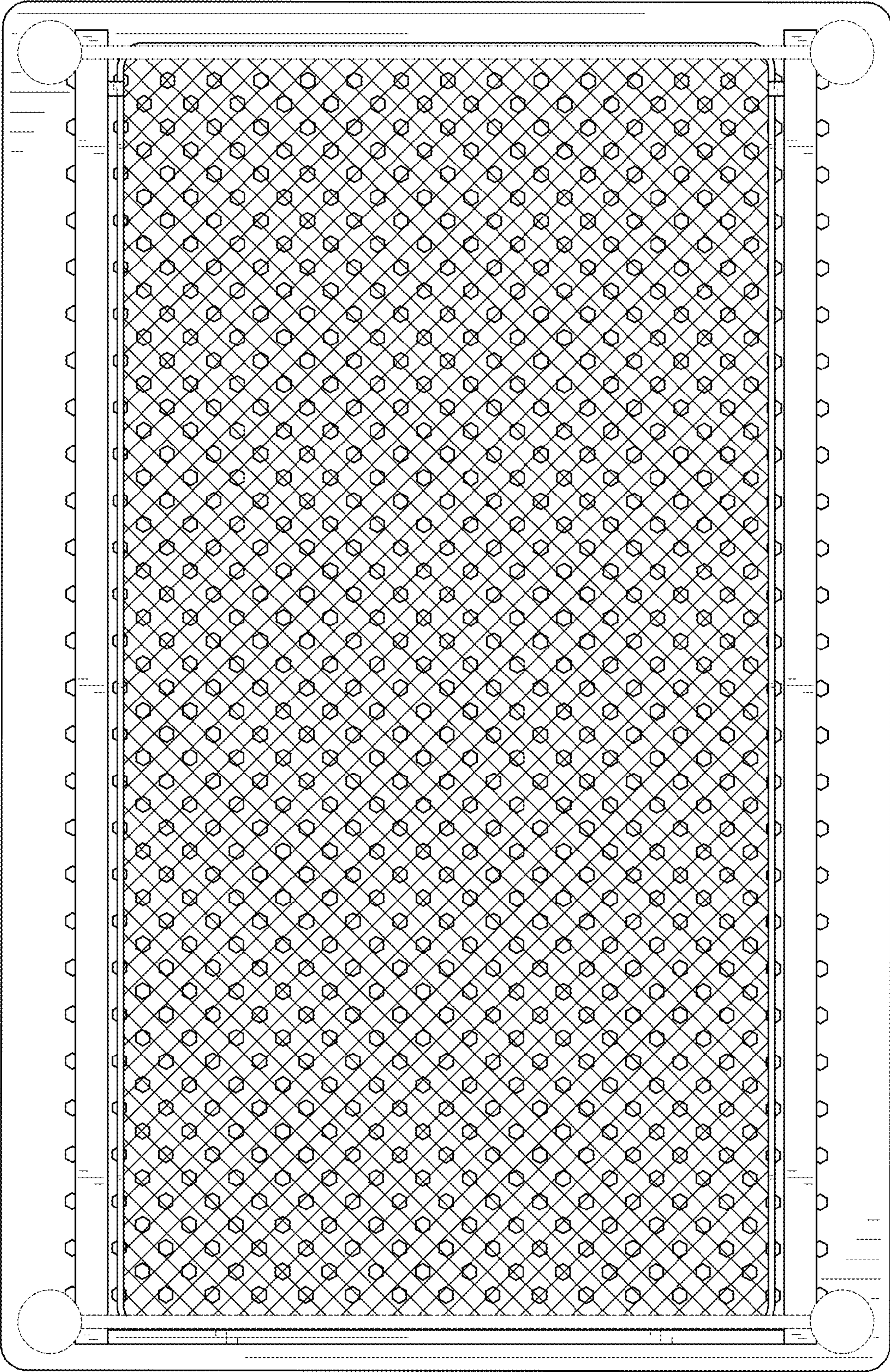


FIG. 7



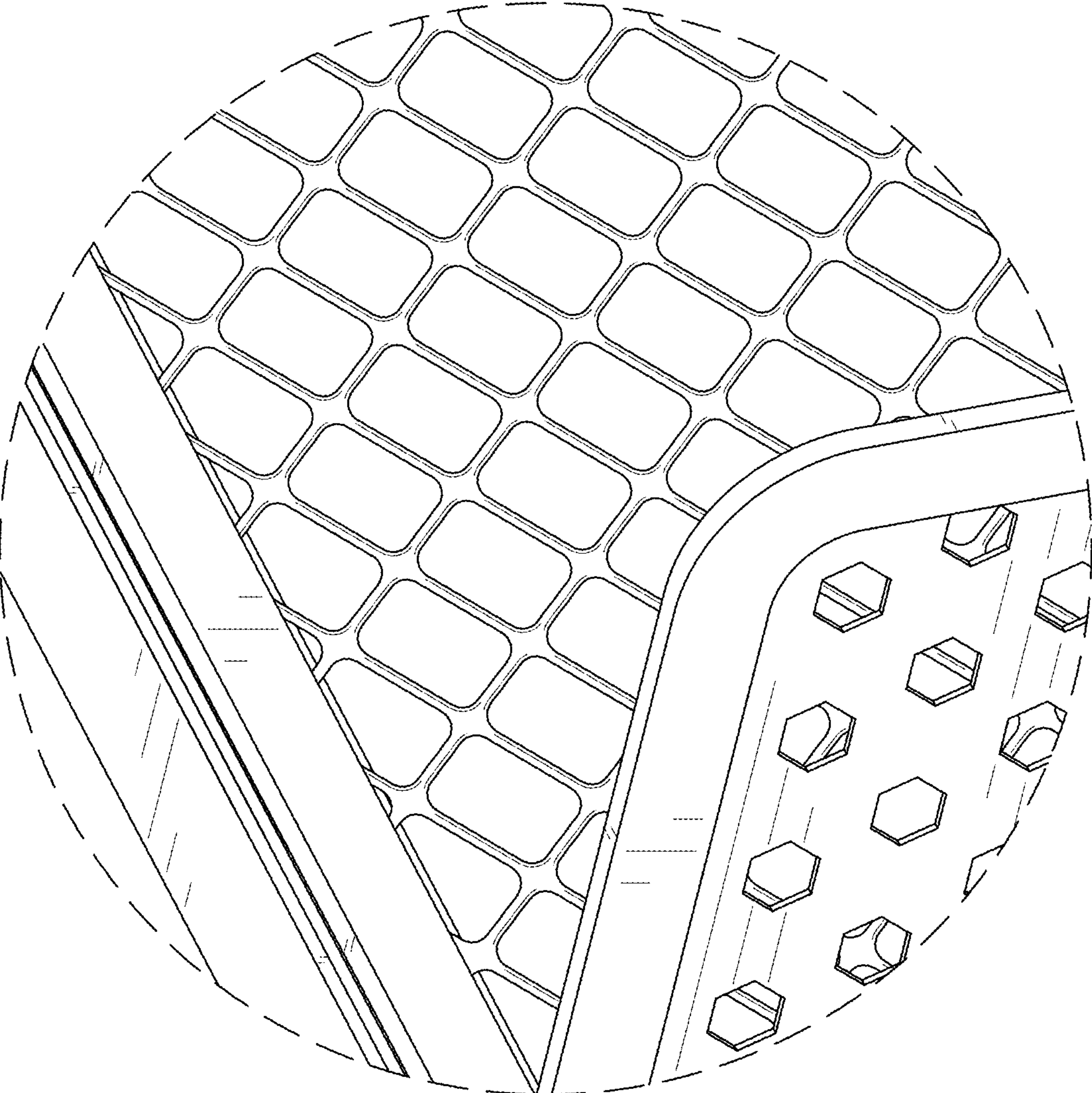


FIG. 8



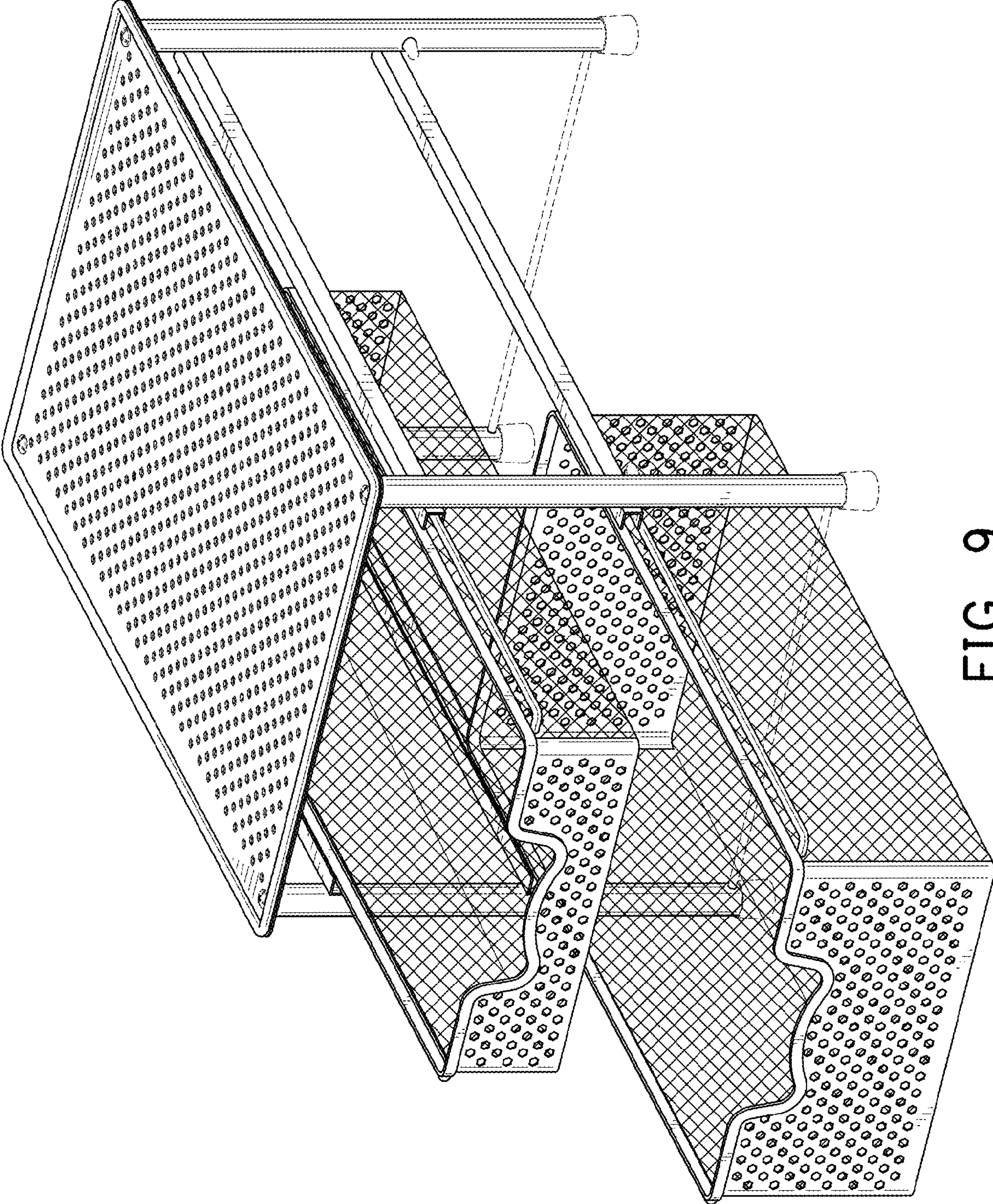


FIG. 9



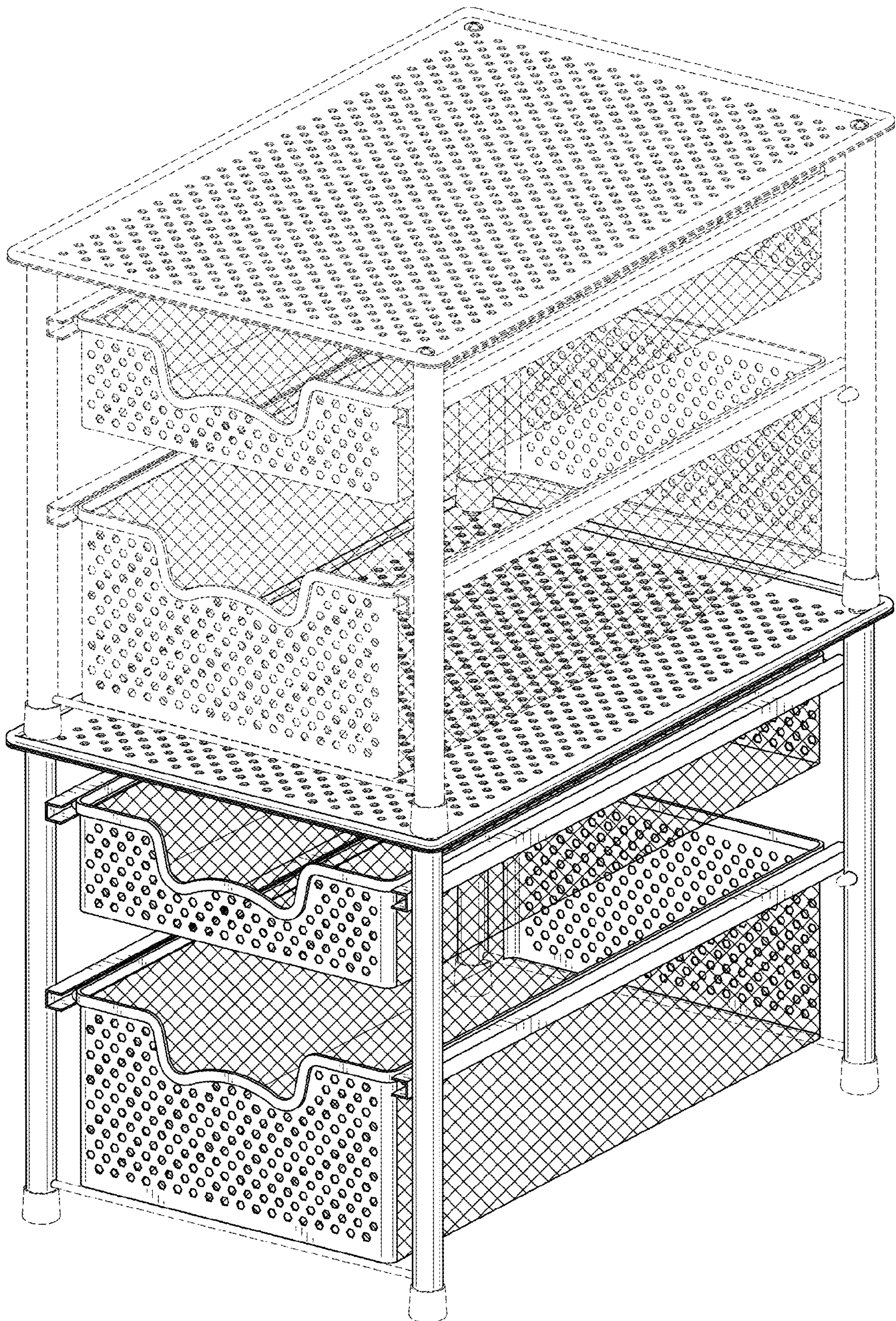


FIG. 10