



US00D875472S

(12) **United States Design Patent**  
**Han**

(10) **Patent No.:** **US D875,472 S**

(45) **Date of Patent:** **\*\* Feb. 18, 2020**

(54) **DOUBLE WALL VACUUM INSULATED SIPPY CUP WITH SPOUT**

(71) Applicant: **BARENTHAL NORTH AMERICA, INC.**, Whippany, NJ (US)

(72) Inventor: **Hongyuan Han**, New Vernon, NJ (US)

(73) Assignee: **BARENTHAL NORTH AMERICA, INC.**, Whippany, NJ (US)

(\*\*) Term: **15 Years**

(21) Appl. No.: **29/628,106**

(22) Filed: **Dec. 1, 2017**

(51) **LOC (12) Cl.** ..... **07-01**

(52) **U.S. Cl.**  
USPC ..... **D7/510; D7/511; D7/532; D7/536**

(58) **Field of Classification Search**  
USPC ..... **D7/507, 509, 510, 511, 514, 515, 516, D7/519, 523, 533, 534, 535, 536, 608, D7/300.1, 300.2, 629, 300, 401.1, 392.1, D7/396.2, 532; D9/500, 501, 502, 503, D9/504, 435, 436; D24/197**  
CPC ..... **A47G 19/22; A47G 19/2288; A47G 19/2205; A47G 19/2211; A47G 19/2266; A47G 19/2272; B65D 47/066; A45F 3/16; A47J 41/02; A47J 41/0088**  
See application file for complete search history.

(56) **References Cited**

**U.S. PATENT DOCUMENTS**

- 5,988,425 A \* 11/1999 Yehl ..... A47G 19/2272 215/11.4
- D500,226 S \* 12/2004 Randolph ..... D7/392.1
- D516,865 S \* 3/2006 Davies ..... D7/538
- D547,607 S \* 7/2007 Forsman ..... D7/396.2
- D613,110 S \* 4/2010 Lane ..... D7/392.1

- D625,424 S \* 10/2010 MacKay ..... D24/197
- D652,256 S \* 1/2012 Eyal ..... D7/510
- D669,732 S \* 10/2012 Hopkins ..... D7/392.1
- 8,469,226 B2 \* 6/2013 Davies ..... A47G 19/2266 220/707
- D747,145 S \* 1/2016 Struckmeier ..... D7/510
- D799,898 S \* 10/2017 Yao ..... D7/510
- D817,084 S \* 5/2018 Hammer ..... D7/392.1
- D850,208 S \* 6/2019 Han ..... D7/510
- 2011/0049169 A1 \* 3/2011 Rosnak ..... A47G 19/2266 220/705

(Continued)

*Primary Examiner* — Marianne N Pandozzi

*Assistant Examiner* — Jae Liang

(74) *Attorney, Agent, or Firm* — Preti Flaherty Beliveau & Pachios LLP

(57) **CLAIM**

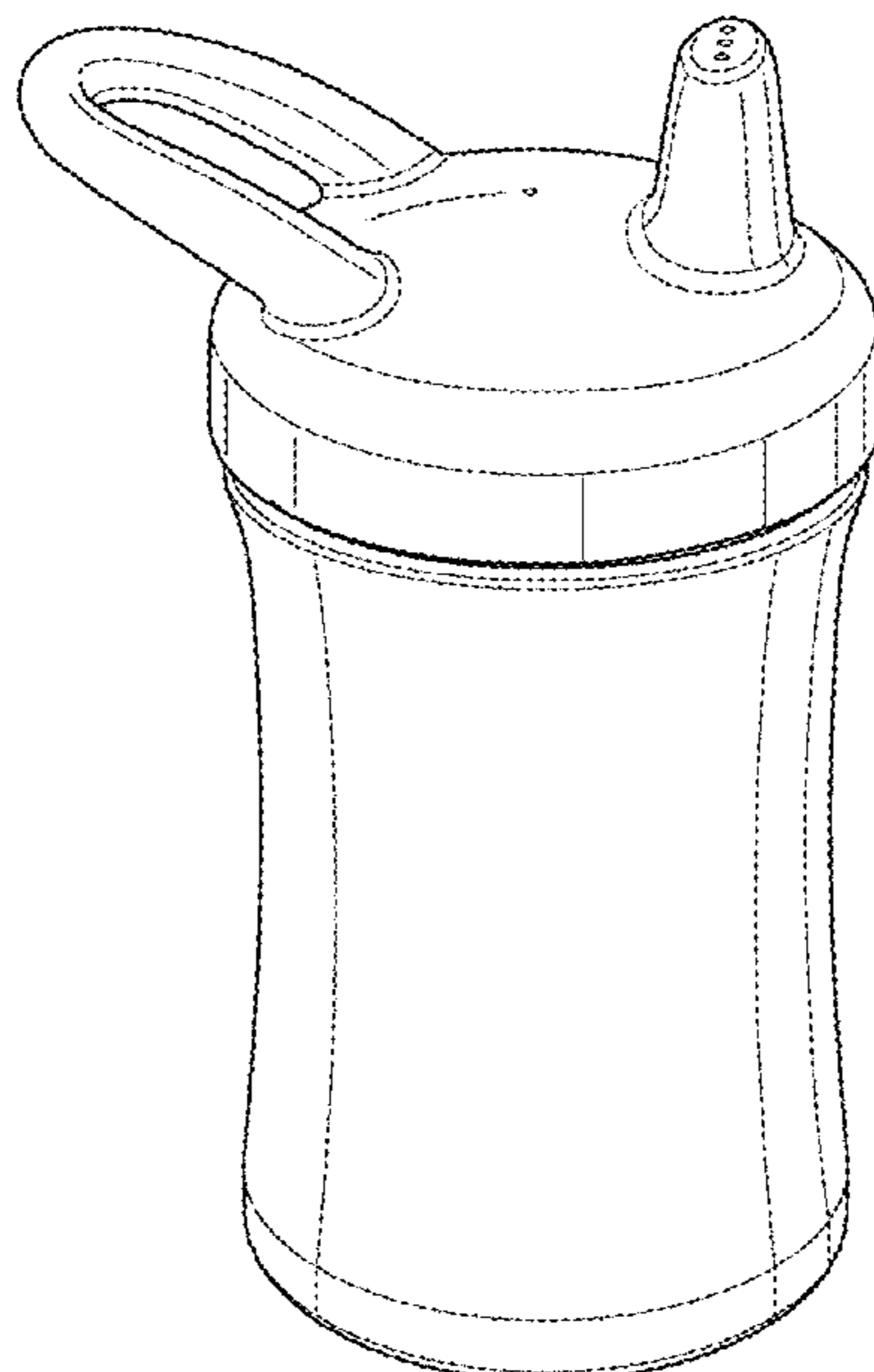
The ornamental design for a double wall vacuum insulated sippy cup with spout, as shown and described.

**DESCRIPTION**

FIG. 1 is a front elevational view of a double wall vacuum insulated sippy cup with spout showing my new design; FIG. 2 is a top left perspective view of FIG. 1; the top right perspective view being a mirror image thereof; FIG. 3 is another top left perspective view of FIG. 1; FIG. 4 is a rear, top left perspective view of FIG. 1; the rear, top right perspective view being a mirror image thereof; FIG. 5 is a right side view of FIG. 1; the left side view being a mirror image thereof; FIG. 6 is a top plan view of FIG. 1; FIG. 7 is a bottom perspective view of FIG. 1; and, FIG. 8 is a top left perspective view of FIG. 1 with an unclaimed handle.

The broken lines depicted in FIG. 8 show the environment in which the design is associated and form no part of the claimed design.

**1 Claim, 8 Drawing Sheets**



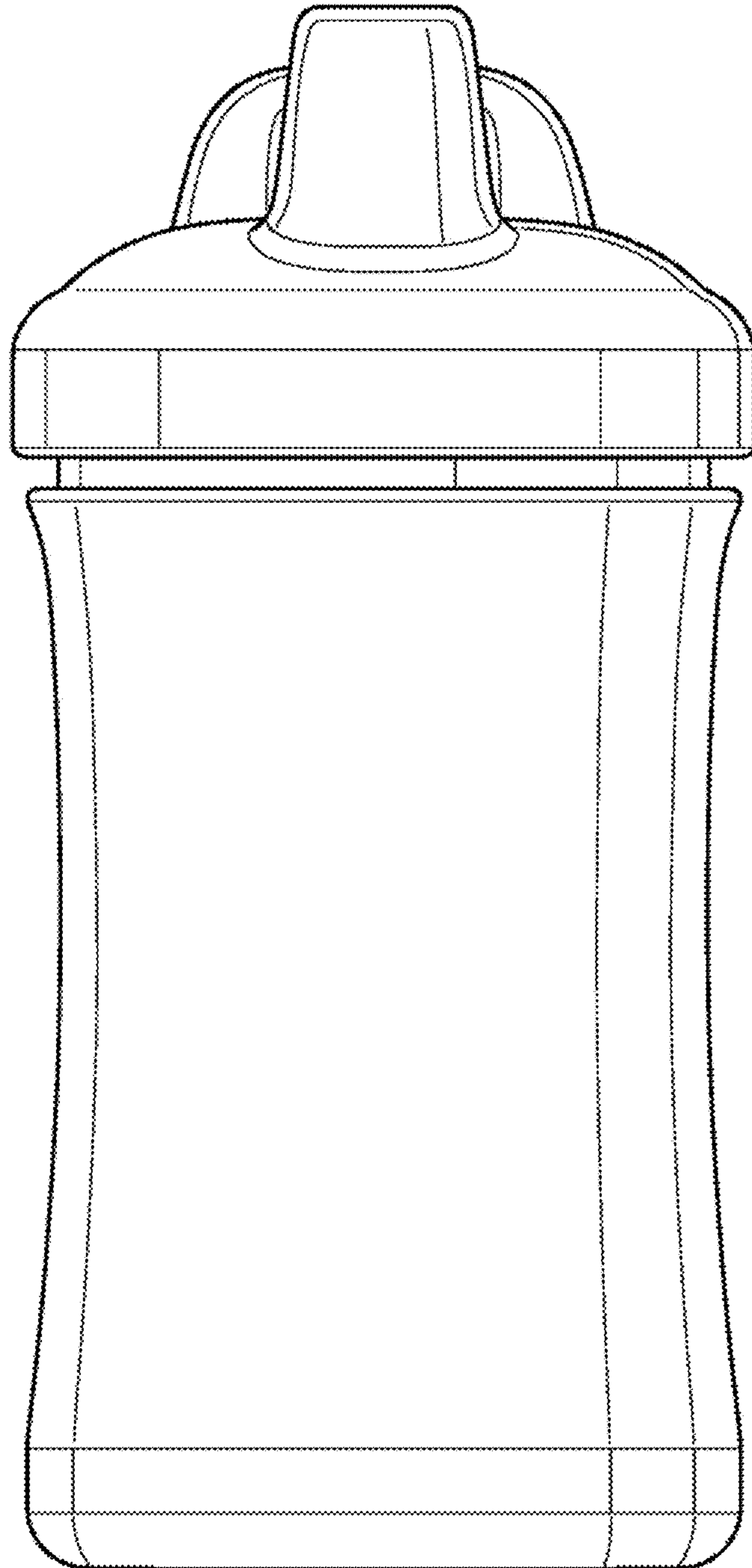
(56)

**References Cited**

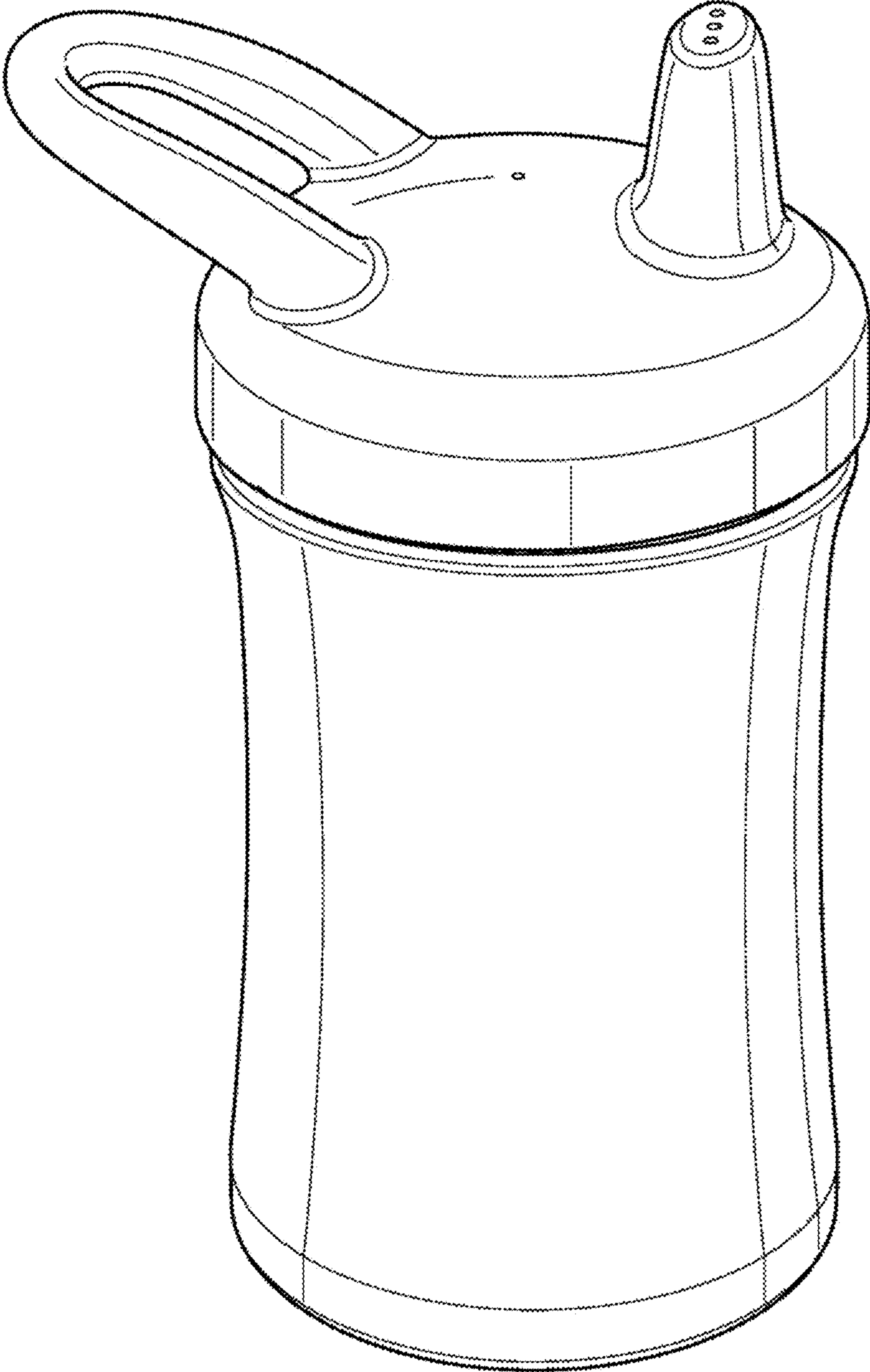
U.S. PATENT DOCUMENTS

2011/0278315 A1\* 11/2011 Bower ..... A47G 19/2272  
220/703

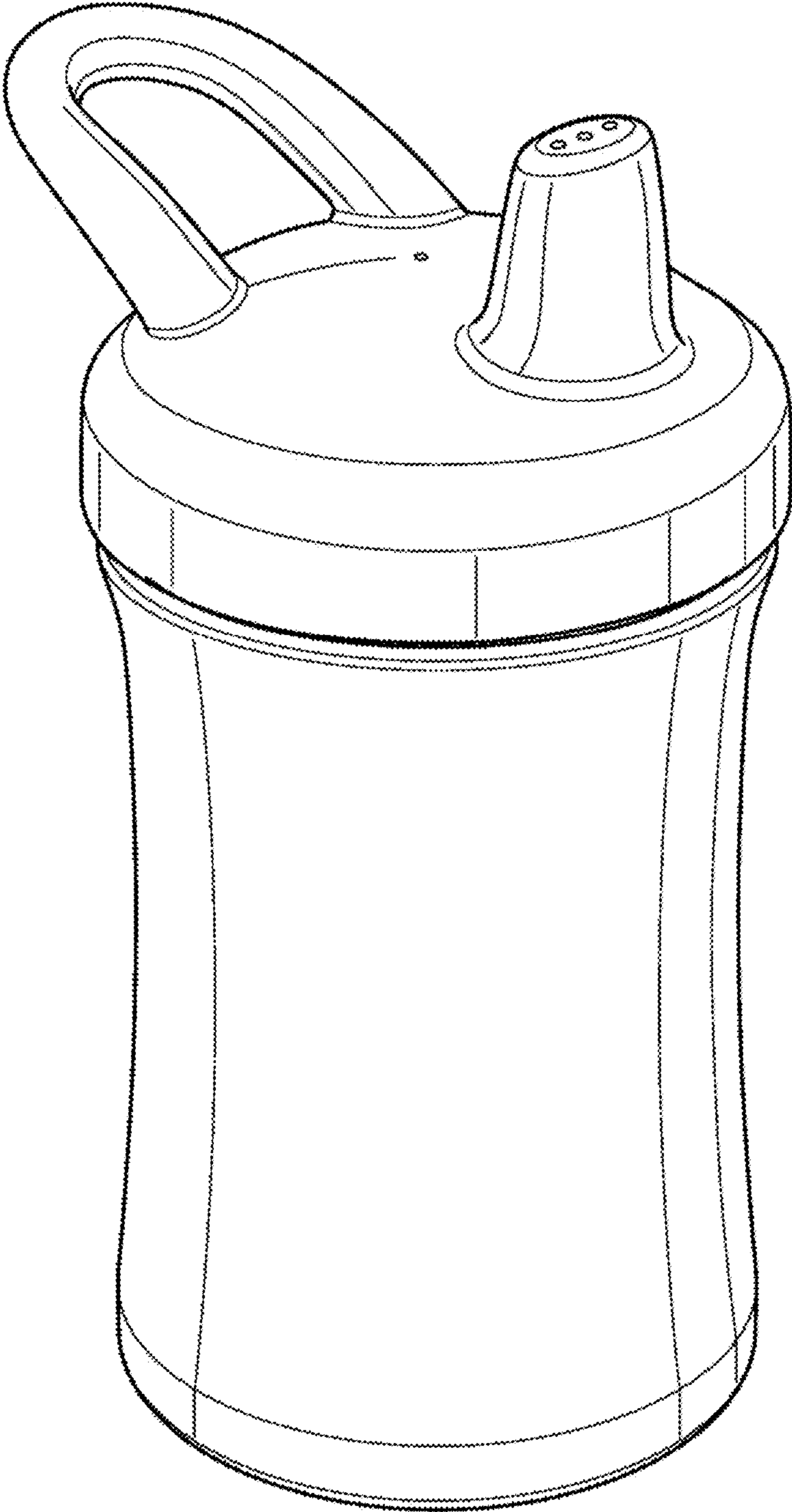
\* cited by examiner



**FIG. 1**

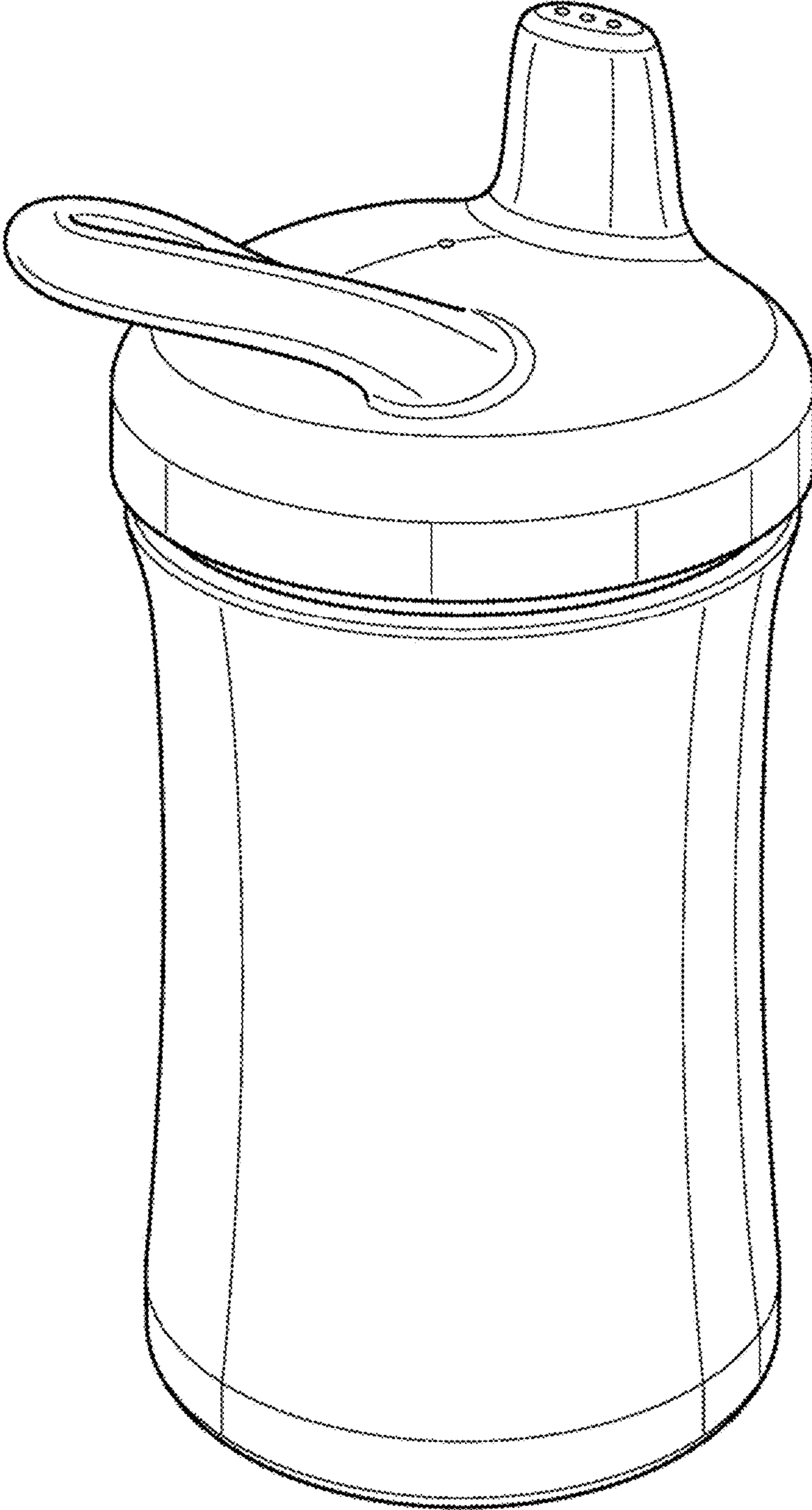


**FIG. 2**

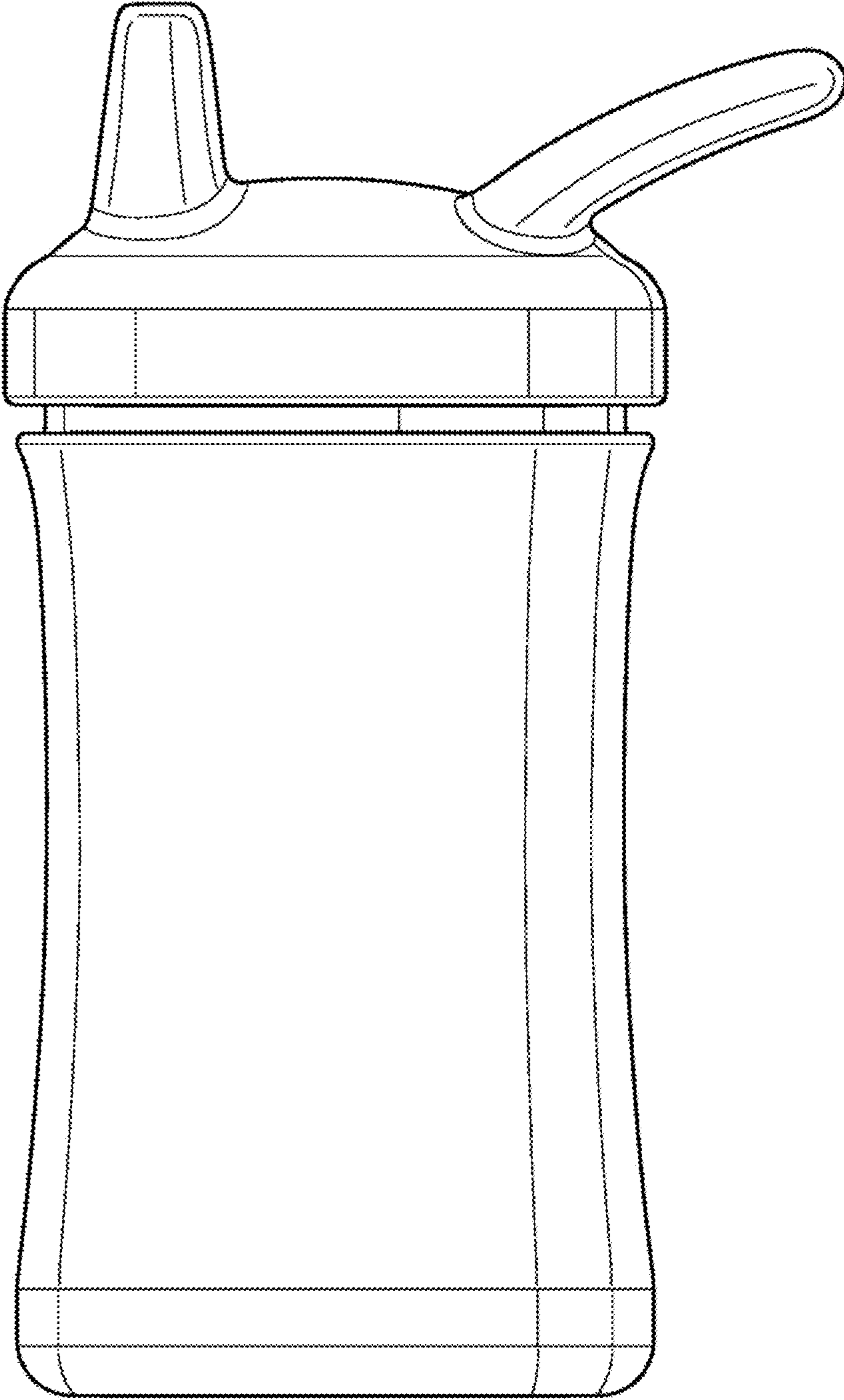


**FIG. 3**

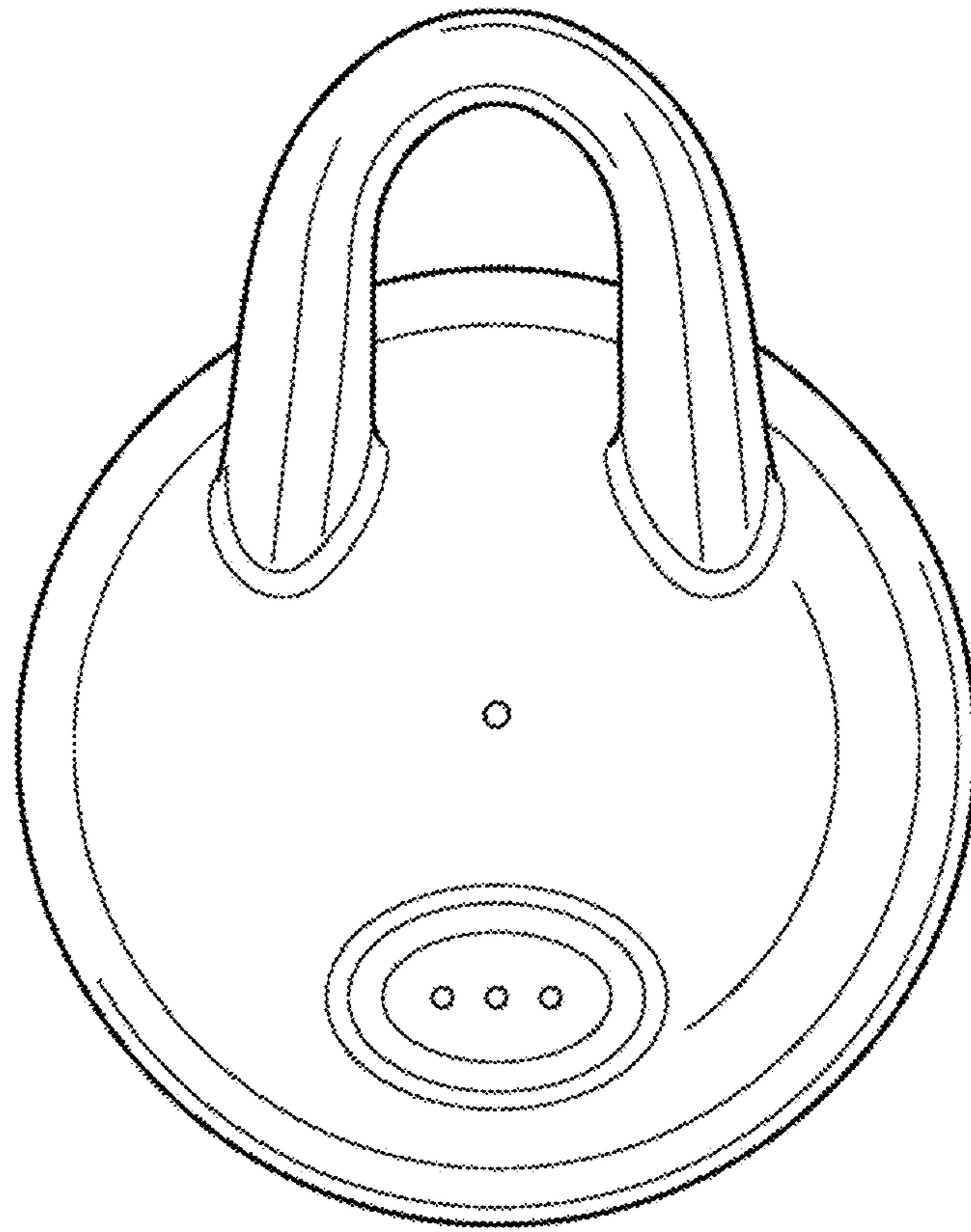




**FIG. 4**

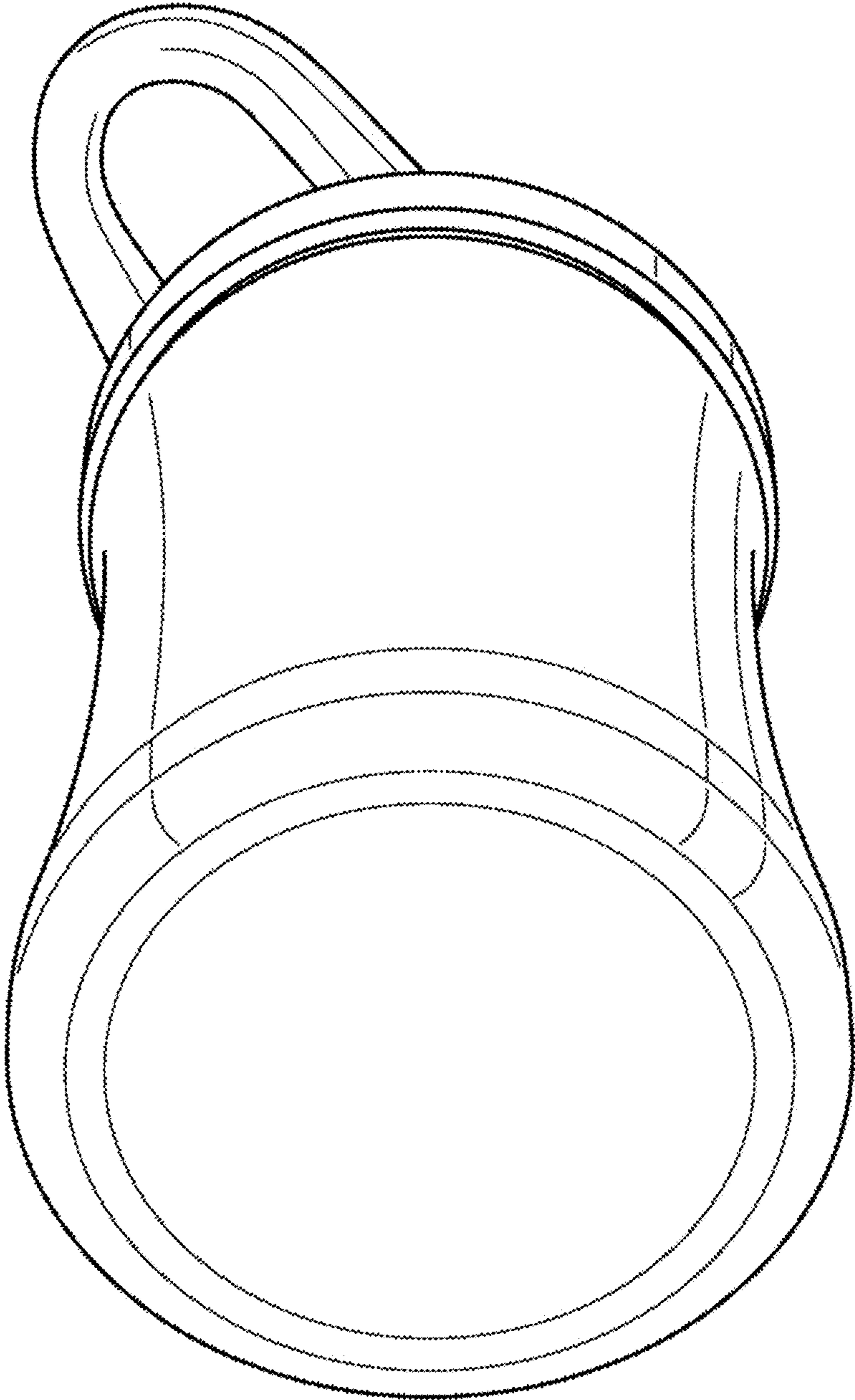


**FIG. 5**

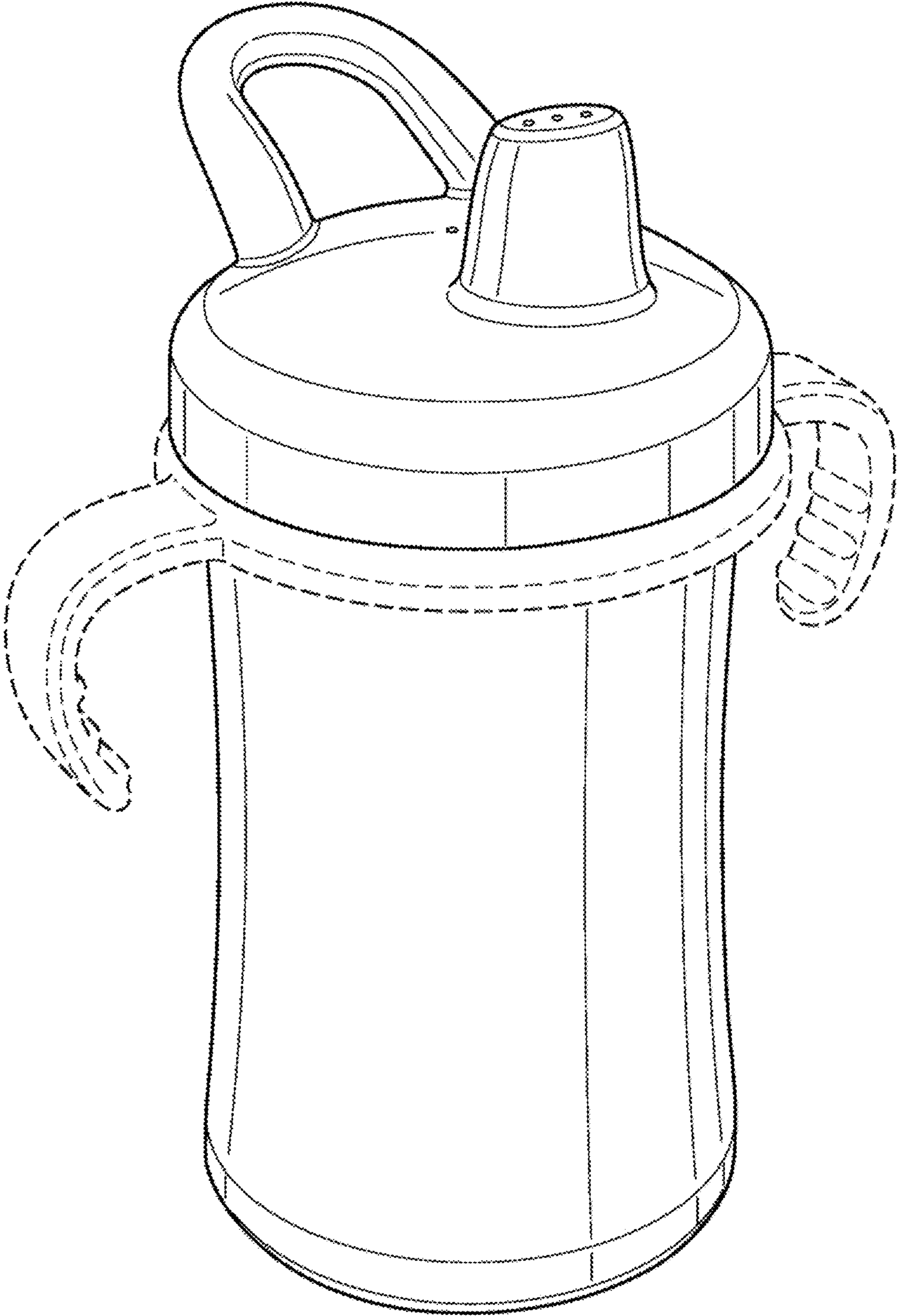


**FIG. 6**





**FIG. 7**



**FIG. 8**