

US00D875471S

(12) **United States Design Patent**  
**Cheng et al.**

(10) **Patent No.:** **US D875,471 S**

(45) **Date of Patent:** **\*\* Feb. 18, 2020**

(54) **THERMOS CUP**

(71) Applicant: **Zhejiang Haoda Science & Technology Co., Ltd., Jinhua (CN)**

(72) Inventors: **Haojun Cheng, Jinhua (CN); Haokang Cheng, Jinhua (CN)**

(73) Assignee: **ZHEJIANG HAODA SCIENCE & TECHNOLOGY CO., LTD., Jinhua (CN)**

(\*\*) Term: **15 Years**

(21) Appl. No.: **29/605,653**

(22) Filed: **May 29, 2017**

(30) **Foreign Application Priority Data**

May 9, 2017 (CN) ..... 2017 3 0165530

(51) **LOC (12) Cl.** ..... **07-01**

(52) **U.S. Cl.**  
USPC ..... **D7/510; D7/511; D7/532**

(58) **Field of Classification Search**  
USPC ..... D7/507, 509, 510, 511, 523, 532, 529, D7/530, 531, 608, 392.1, 396.2, 396.3, D7/213, 395, 376, 305, 300, 624.2, 310; D9/502, 503, 504, 429, 449, 556, 569; D28/85, 76, 82; D8/393, 397, 330, 346; D25/48.1; D21/385; D23/260, 261, 268  
CPC ..... A47G 19/22; A47G 19/2205; A47G 19/2211; A47G 19/2222; A45F 3/20; A45F 3/16; A47J 41/02  
See application file for complete search history.

(56) **References Cited**

U.S. PATENT DOCUMENTS

D292,883 S \* 11/1987 Griffin ..... D7/523  
D345,676 S \* 4/1994 Biffle ..... D7/510  
D370,300 S \* 5/1996 Gottvald ..... D27/172

D483,995 S \* 12/2003 Otake ..... D7/523  
D604,102 S \* 11/2009 Pearson ..... D7/510  
D679,960 S \* 4/2013 Hopkins ..... D7/629  
D728,314 S \* 5/2015 Carstensen ..... D7/510  
D731,251 S \* 6/2015 Lane ..... D7/523  
D751,341 S \* 3/2016 Seiders ..... D7/396.2  
D761,619 S \* 7/2016 Seiders ..... D7/392.1  
D780,530 S \* 3/2017 Seiders ..... D7/608  
D780,533 S \* 3/2017 Seiders ..... D7/608  
D790,272 S \* 6/2017 Han ..... D7/396.2  
D795,643 S \* 8/2017 Barlow ..... D7/510  
D804,905 S \* 12/2017 Seiders ..... D7/510  
D805,856 S \* 12/2017 Rivera ..... D7/624.2  
D808,218 S \* 1/2018 Seiders ..... D7/510  
D810,511 S \* 2/2018 Harrington, III ..... D7/511  
D811,817 S \* 3/2018 Harrington, III ..... D7/510

(Continued)

**OTHER PUBLICATIONS**

[https://www.amazon.com/FIREKI-oz-Tumbler-Stainless-Steel/dp/B071WSR44M/ref=lp\\_10222013011\\_1\\_2?srs=10222013011&ie=UTF8&qid=1547060937&sr=8-2](https://www.amazon.com/FIREKI-oz-Tumbler-Stainless-Steel/dp/B071WSR44M/ref=lp_10222013011_1_2?srs=10222013011&ie=UTF8&qid=1547060937&sr=8-2) Dec. 26, 2015 .\*

(Continued)

*Primary Examiner* — Jae Liang

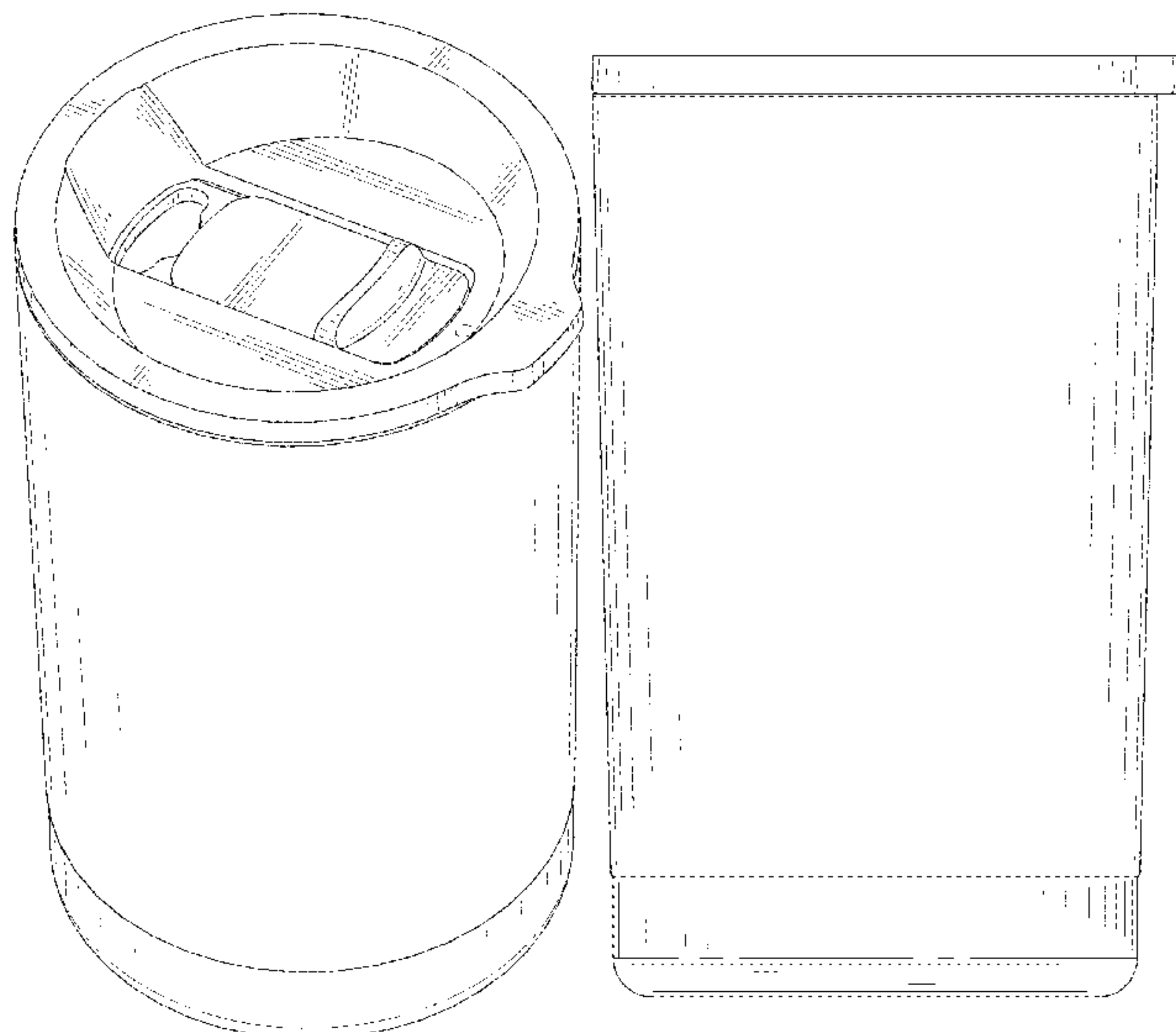
(57) **CLAIM**

The ornamental design for a thermos cup, as shown and described.

**DESCRIPTION**

FIG. 1 is a perspective view of a thermos cup, showing my new design;  
FIG. 2 is a right side view thereof;  
FIG. 3 is a rear view thereof;  
FIG. 4 is a front view thereof;  
FIG. 5 is a top plan view thereof;  
FIG. 6 is a bottom plan view thereof; and,  
FIG. 7 is another perspective view.  
The broken lines in the drawings depict portions of the thermos cup that form no part of the claimed design.

**1 Claim, 7 Drawing Sheets**



(56)

**References Cited**

U.S. PATENT DOCUMENTS

D824,212 S \* 7/2018 Seiders ..... D7/396.2  
D829,056 S \* 9/2018 Wall ..... D7/608  
D833,818 S \* 11/2018 Sletten ..... D7/510  
D842,038 S \* 3/2019 Seiders ..... D7/510  
2017/0121073 A1\* 5/2017 Seiders ..... B65D 51/18  
2017/0121074 A1\* 5/2017 Seiders ..... A47G 19/2272

OTHER PUBLICATIONS

[https://www.amazon.com/Slide-Lid-Yeti-Rambler-Tumbler/dp/B01JYQB0M2/ref=sr\\_1\\_3?keywords=slide+lid&gid=1556651363&s=gateway&sr=8-3](https://www.amazon.com/Slide-Lid-Yeti-Rambler-Tumbler/dp/B01JYQB0M2/ref=sr_1_3?keywords=slide+lid&gid=1556651363&s=gateway&sr=8-3) Kitch N Gadgetz (Year: 2016).\*

\* cited by examiner

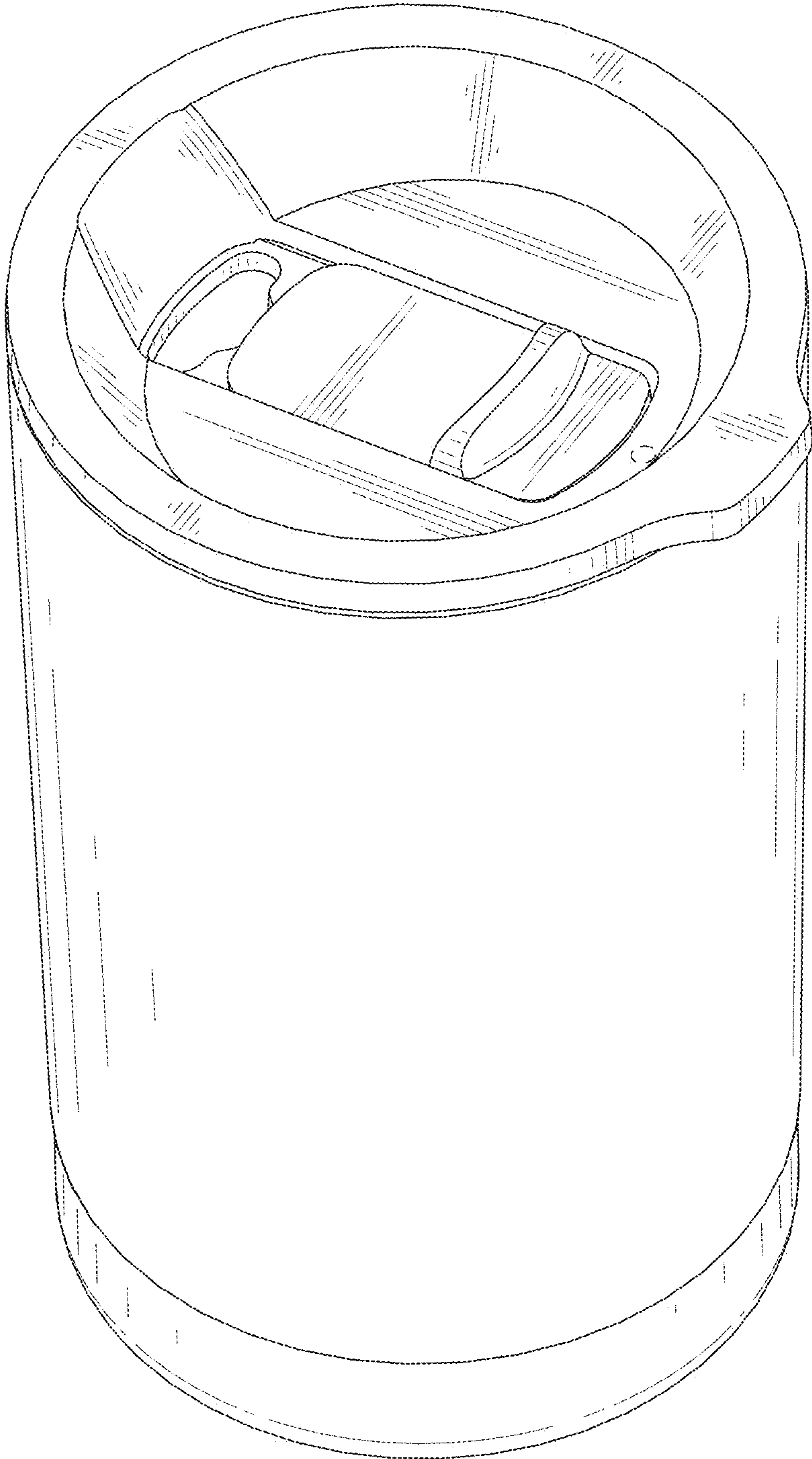


FIG. 1

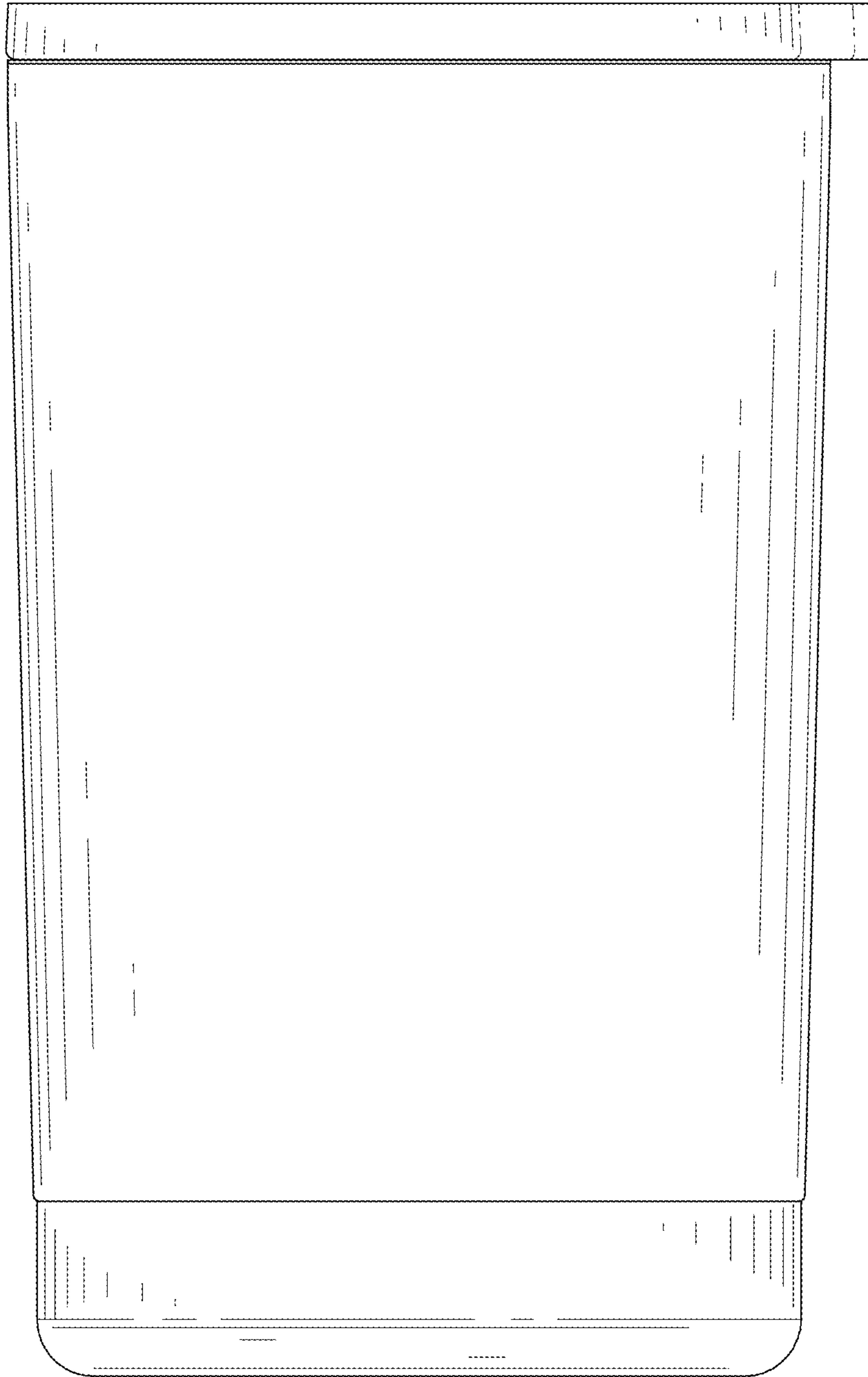


FIG. 2

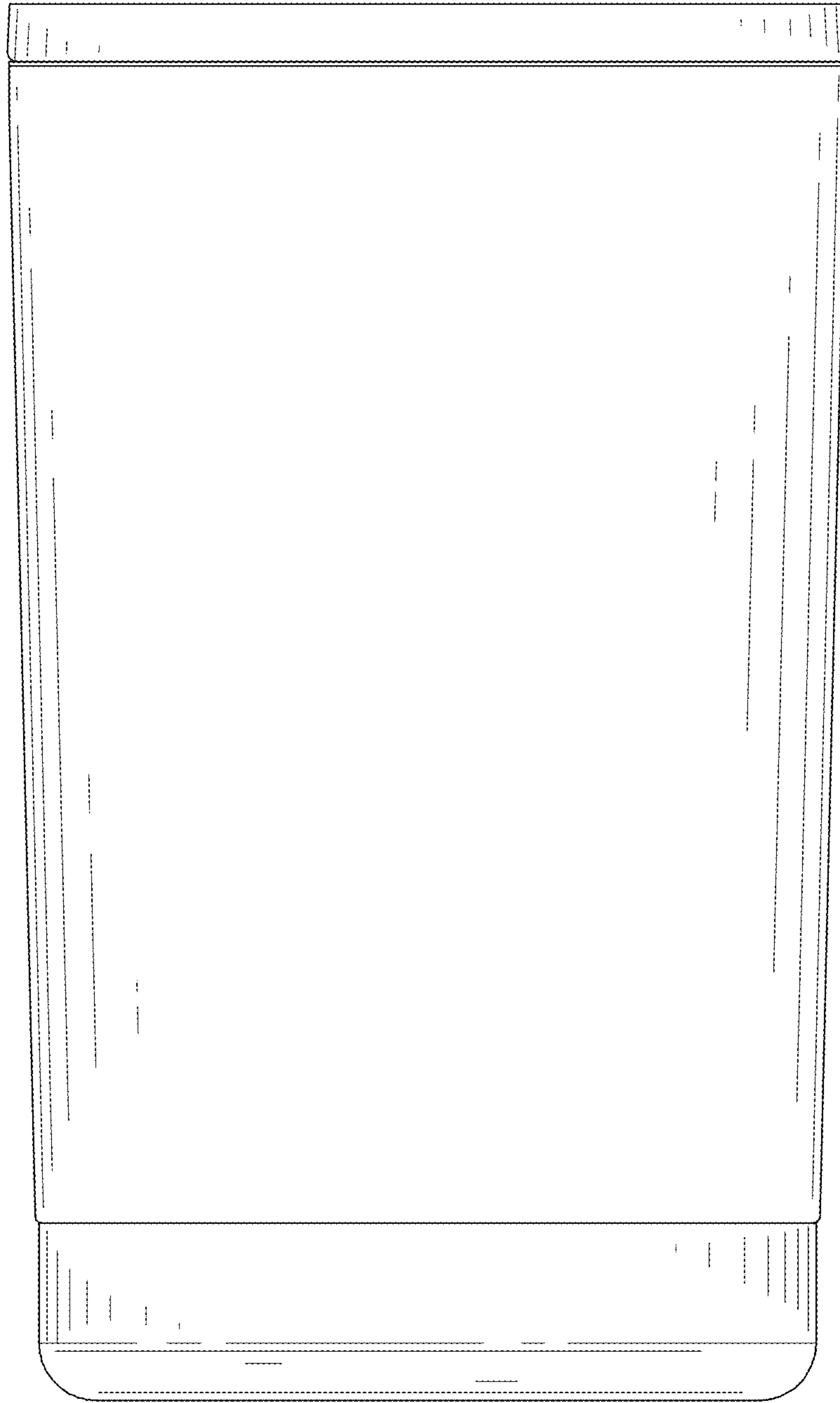


FIG. 3

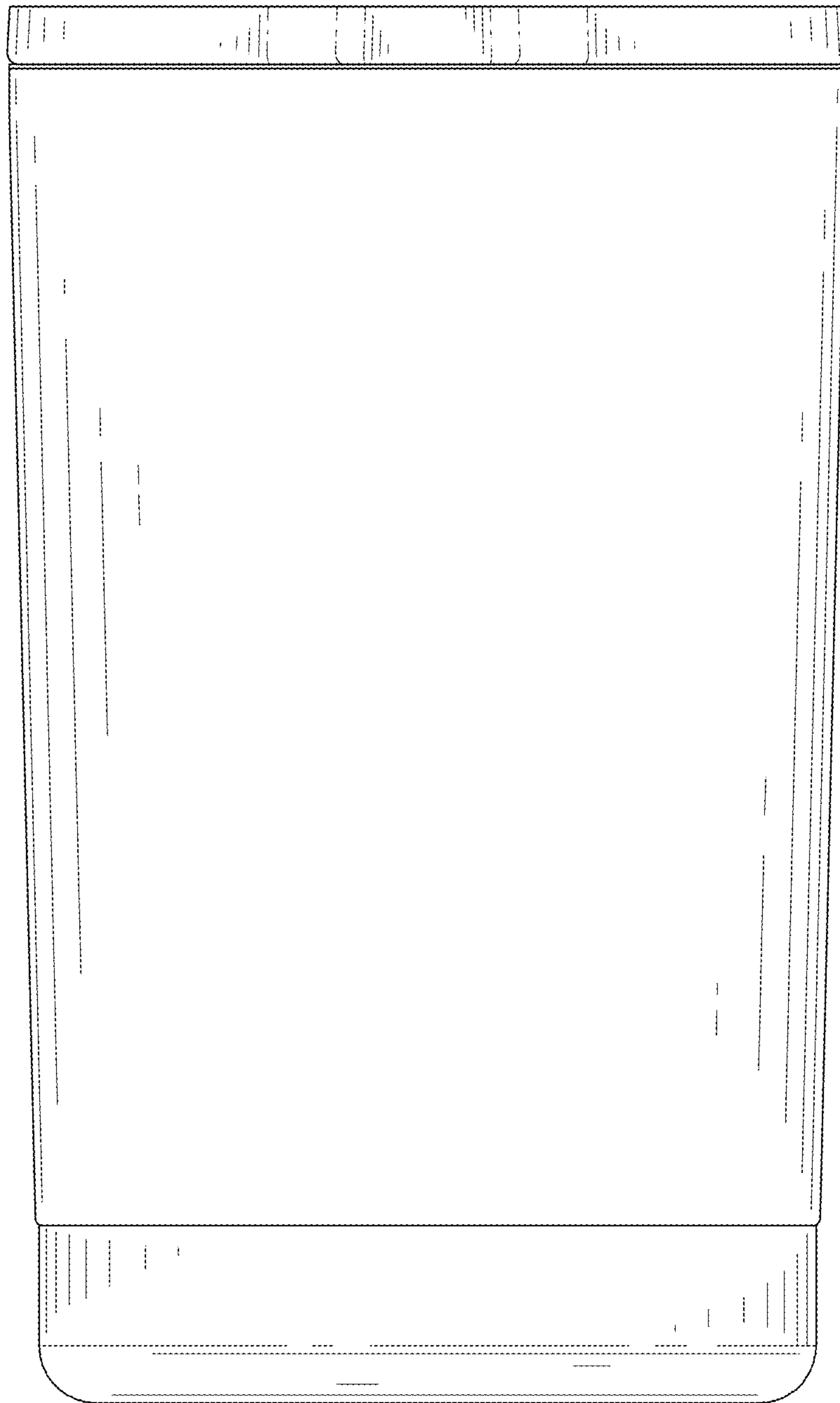


FIG. 4



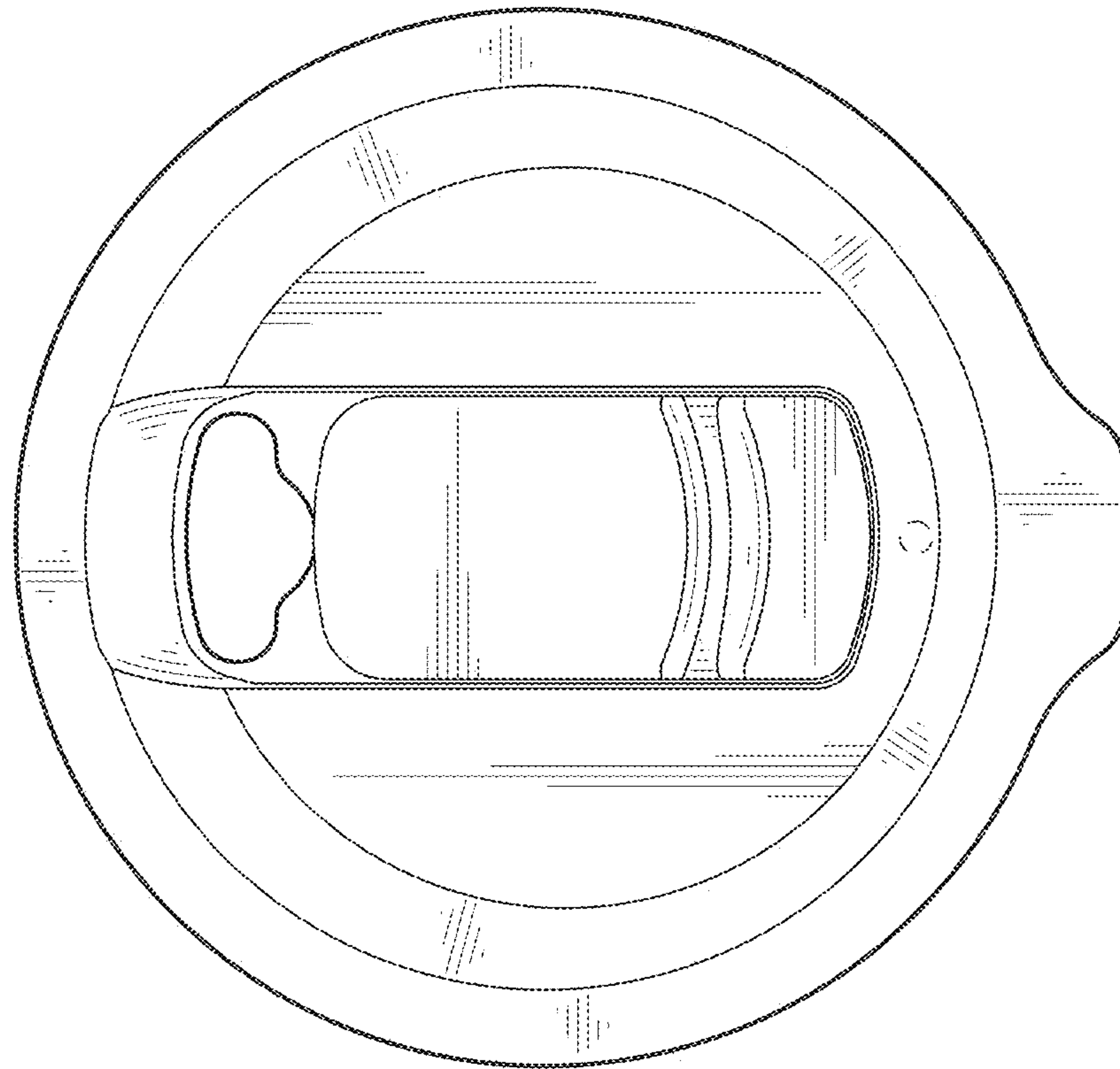


FIG. 5

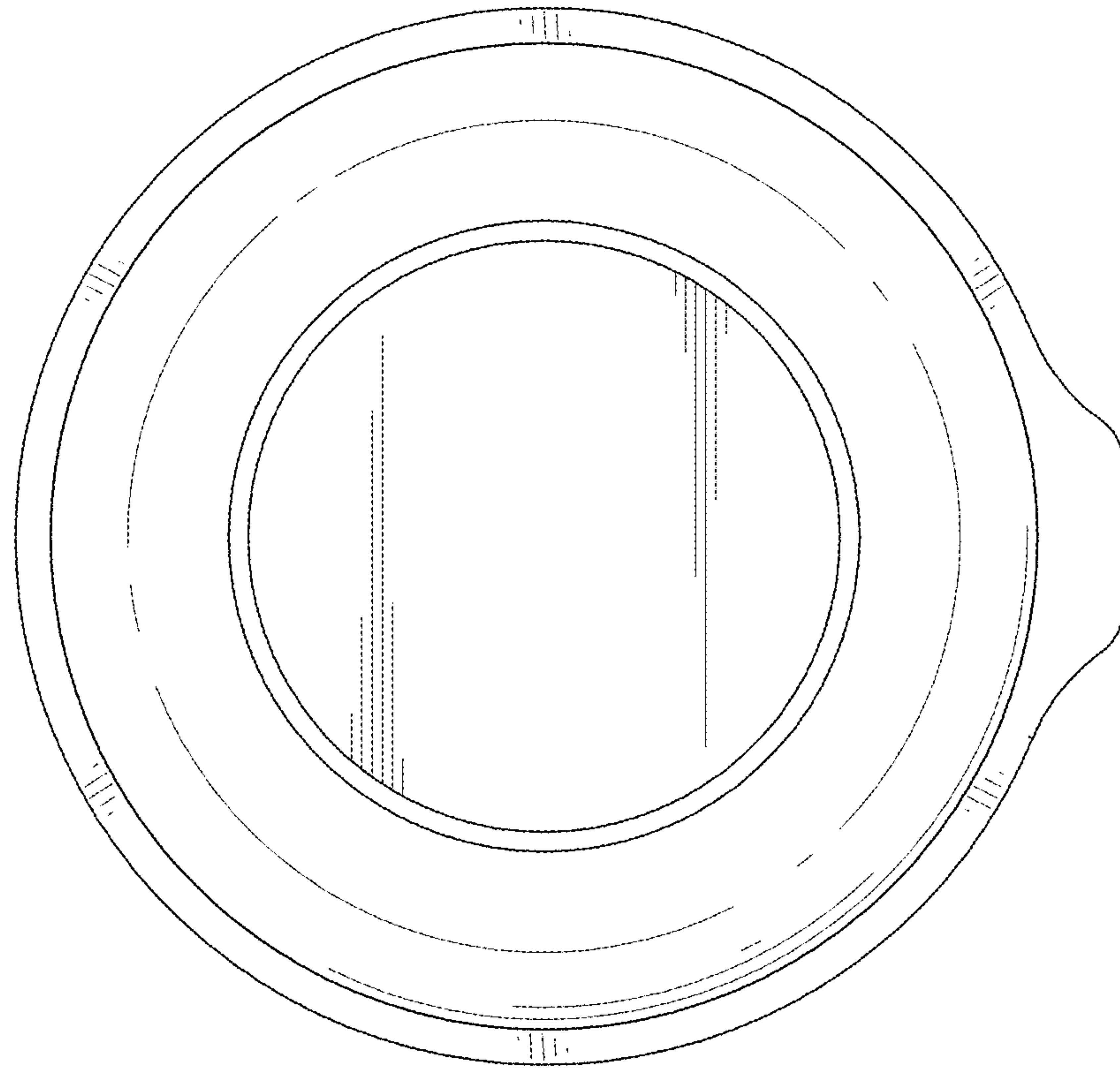


FIG. 6



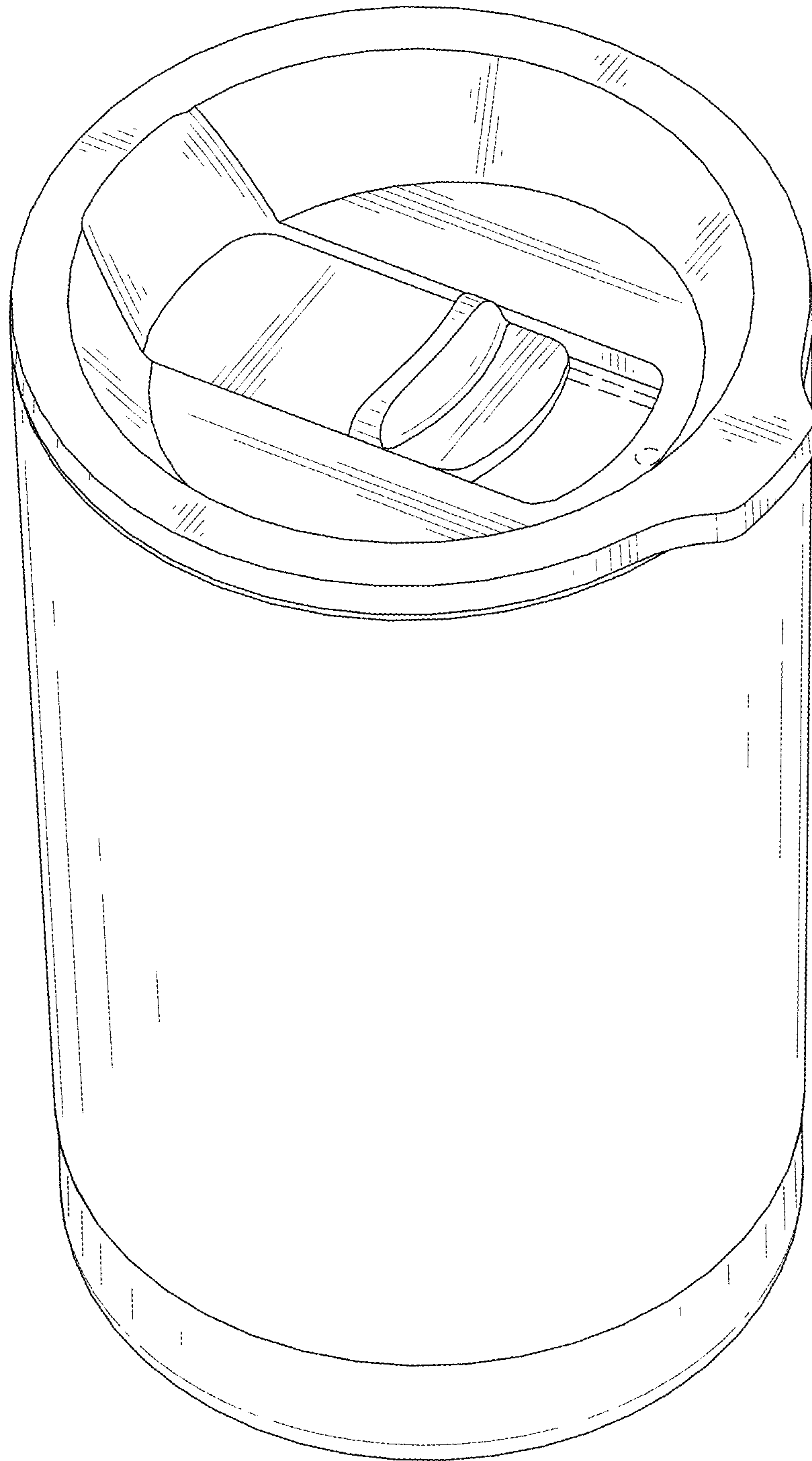


FIG. 7