



US00D875468S

(12) **United States Design Patent**  
**Chung**

(10) **Patent No.:** **US D875,468 S**

(45) **Date of Patent:** **\*\* Feb. 18, 2020**

(54) **SUPPORT STRUCTURE FOR A GRILL**

(71) Applicant: **Kiosky Chung**, Taichung (TW)

(72) Inventor: **Kiosky Chung**, Taichung (TW)

(\*\*) Term: **15 Years**

(21) Appl. No.: **29/640,123**

(22) Filed: **Mar. 12, 2018**

(51) **LOC (12) Cl.** ..... **07-02**

(52) **U.S. Cl.**  
USPC ..... **D7/403**

(58) **Field of Classification Search**  
USPC ..... D7/323, 340, 339, 332-337, 331, 351,  
D7/346-349, 408, 405, 403, 402, 406,  
D7/387, 345, 343, 539, 564, 571  
CPC .... A47J 37/07; A47J 37/0763; A47J 37/0704;  
H05B 1/0261; H05B 1/0263; H05B  
6/687; F24C 3/008; F24C 3/002; F24C  
3/00; F24C 7/02; F24C 7/00; F24C 5/00  
See application file for complete search history.

(56) **References Cited**

**U.S. PATENT DOCUMENTS**

D507,927 S *	8/2005	Nipke	.....	D7/334
D572,072 S *	7/2008	Chung	.....	D7/334
D631,279 S *	1/2011	Davis	.....	D7/332
D680,796 S *	4/2013	Chung	.....	D7/334
D708,002 S *	7/2014	Cruccolini	.....	D7/334

D717,094 S *	11/2014	Chung	.....	D7/334
D717,095 S *	11/2014	Chung	.....	D7/334
D755,557 S *	5/2016	Stout	.....	D7/332
D792,148 S *	7/2017	Chung	.....	D7/334
D817,684 S *	5/2018	Mansueto	.....	D7/334
D828,071 S *	9/2018	Dutruel	.....	D7/332
D832,046 S *	10/2018	Chung	.....	D7/403
D835,448 S *	12/2018	Mansueto	.....	D7/334

\* cited by examiner

*Primary Examiner* — Nicole C Shiflet

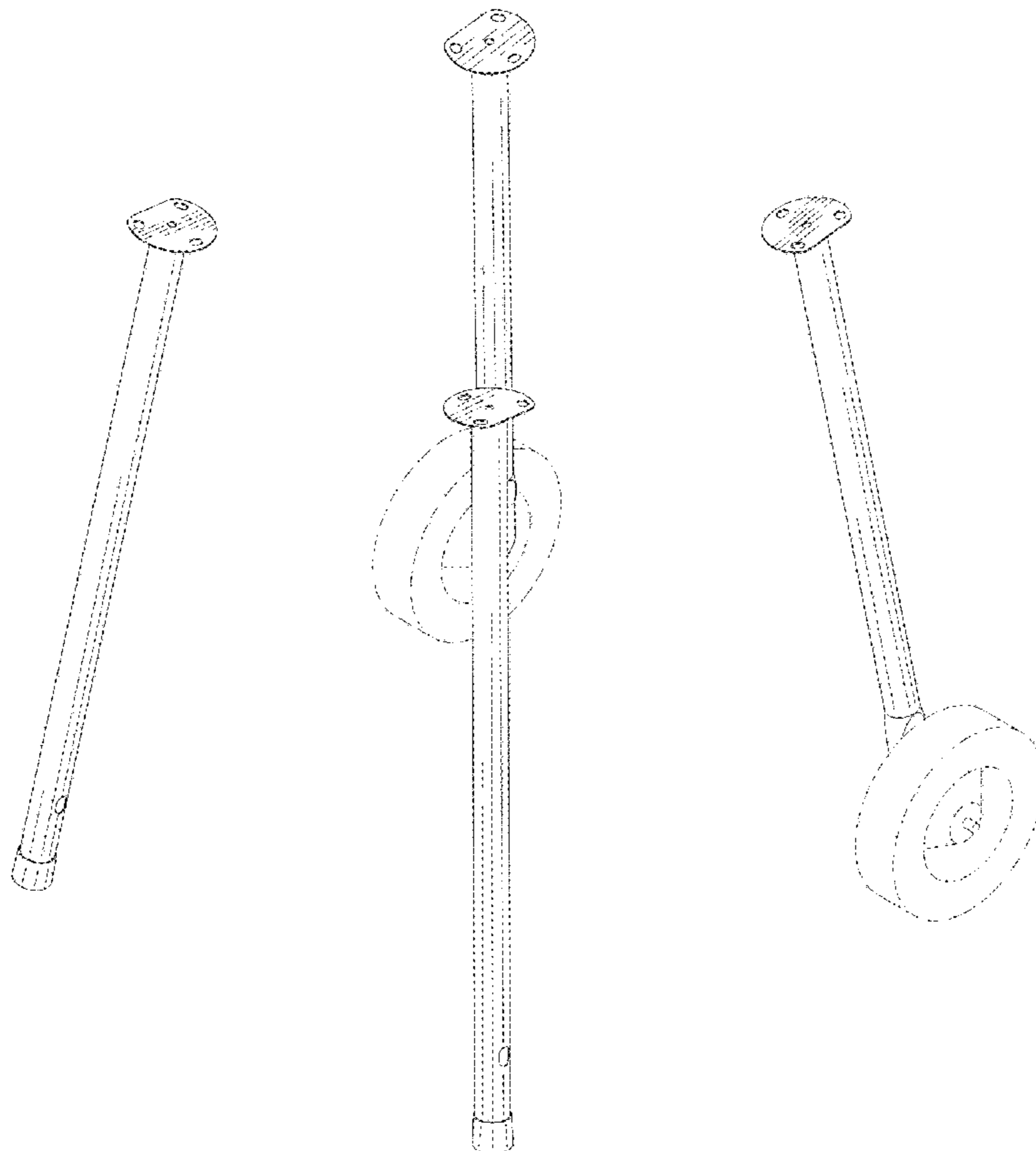
(57) **CLAIM**

The ornamental design for a support structure for a grill, as shown and described.

**DESCRIPTION**

FIG. 1 is a perspective view of the support structure for a grill, showing my new design;  
 FIG. 2 is a bottom elevational view thereof;  
 FIG. 3 is a perspective view of the support structure without grill body and rack shown in FIG. 1;  
 FIG. 4 is a front elevational view thereof;  
 FIG. 5 is a rear side elevational view thereof;  
 FIG. 6 is a left side elevational view thereof;  
 FIG. 7 is a right side elevational view thereof;  
 FIG. 8 is a top plan view thereof; and,  
 FIG. 9 is a bottom plan view thereof.  
 The broken lines shown in the drawings are for the purpose of illustrating unclaimed portions of the support structure for a grill and for the purpose of illustrating environment, none of which form part of the claimed design.

**1 Claim, 9 Drawing Sheets**



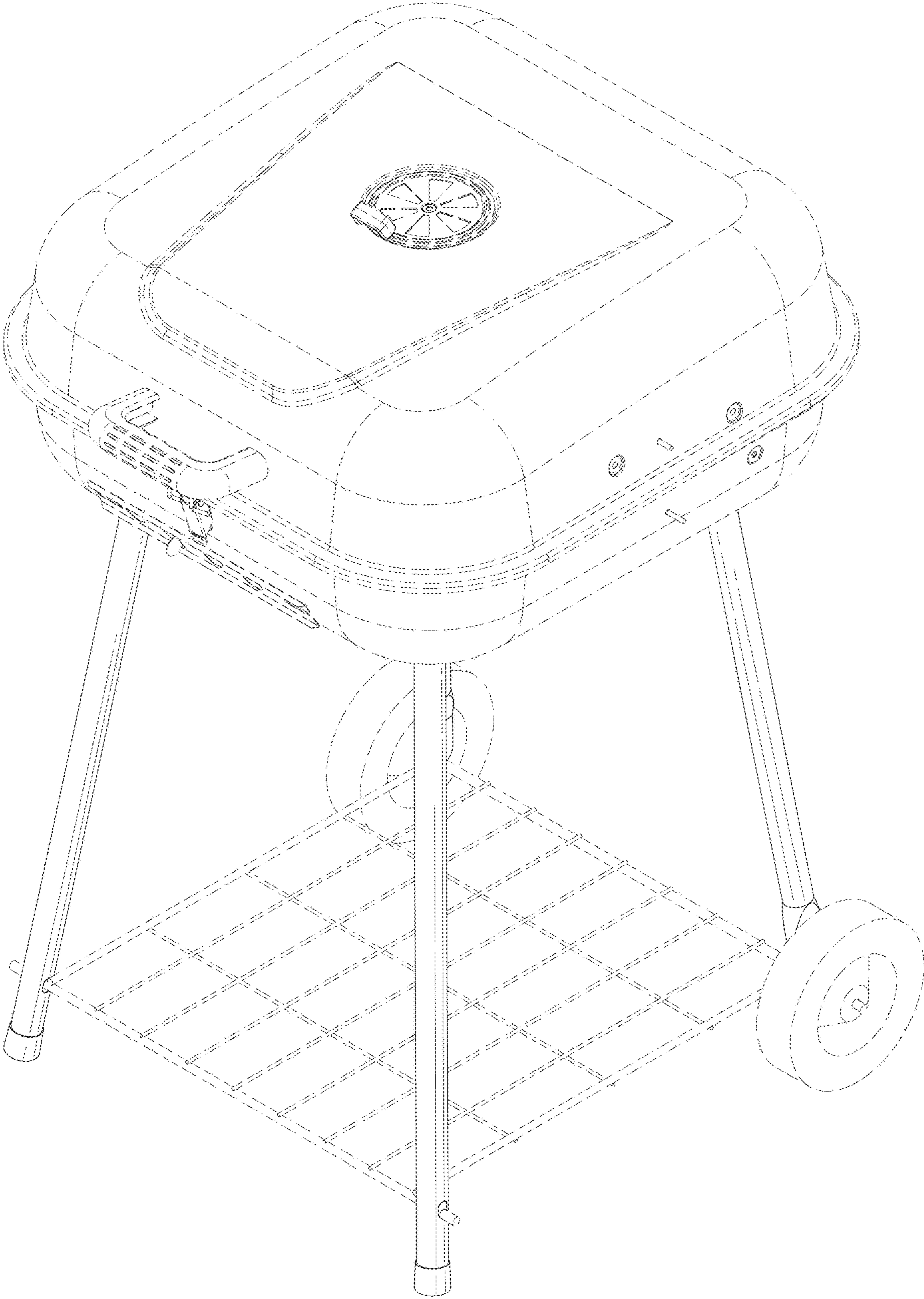


FIG. 1

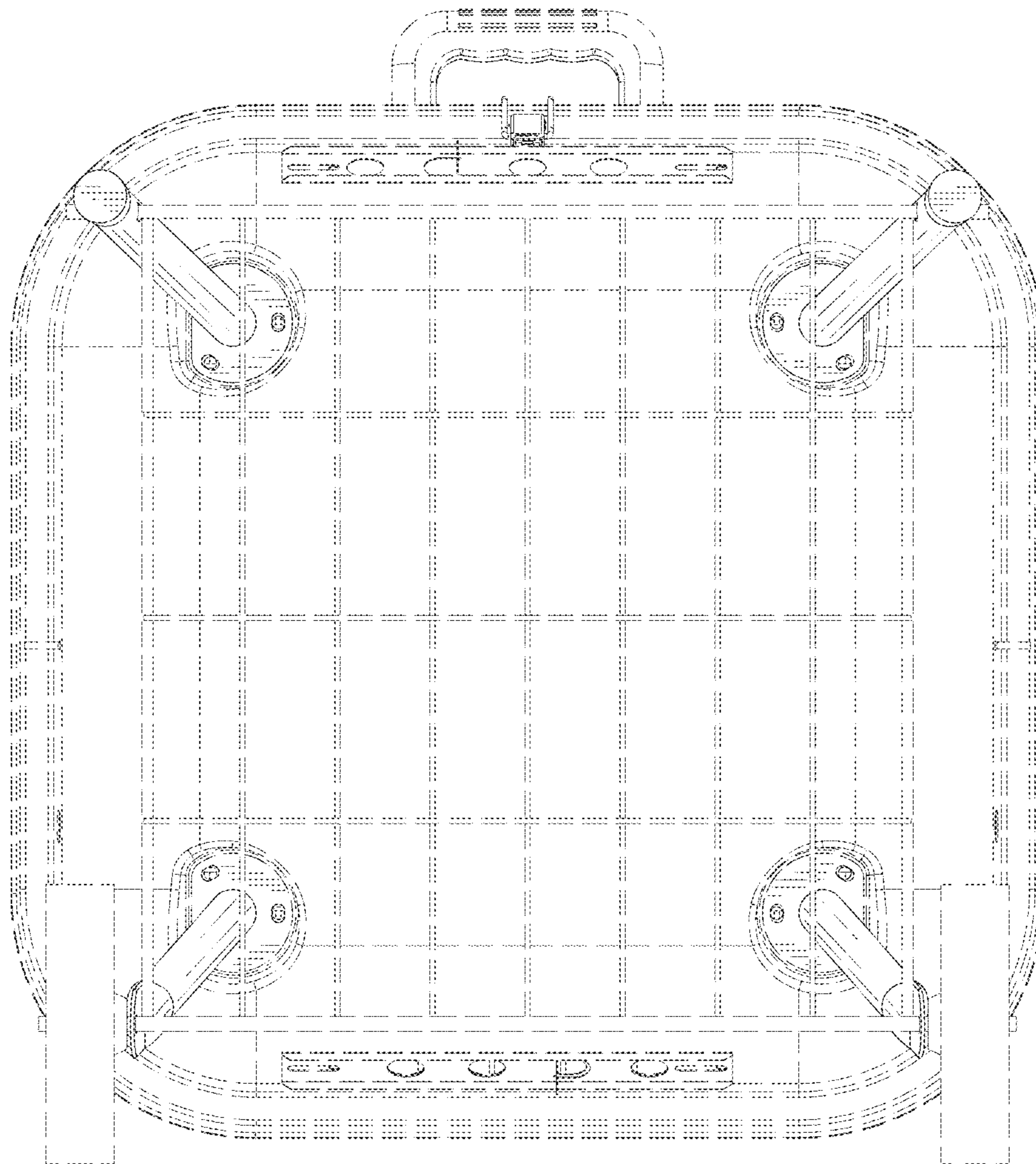


FIG. 2

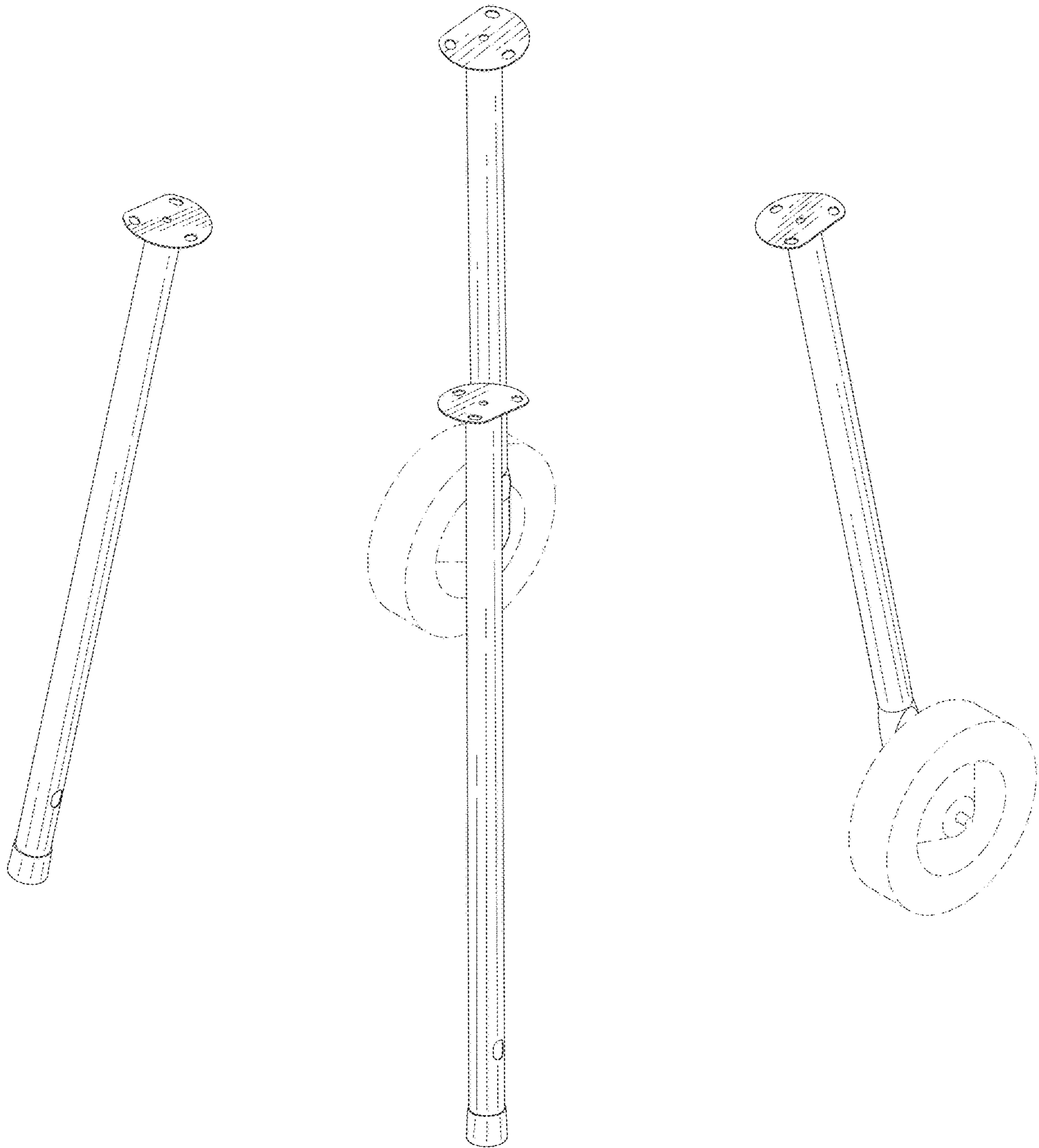


FIG. 3

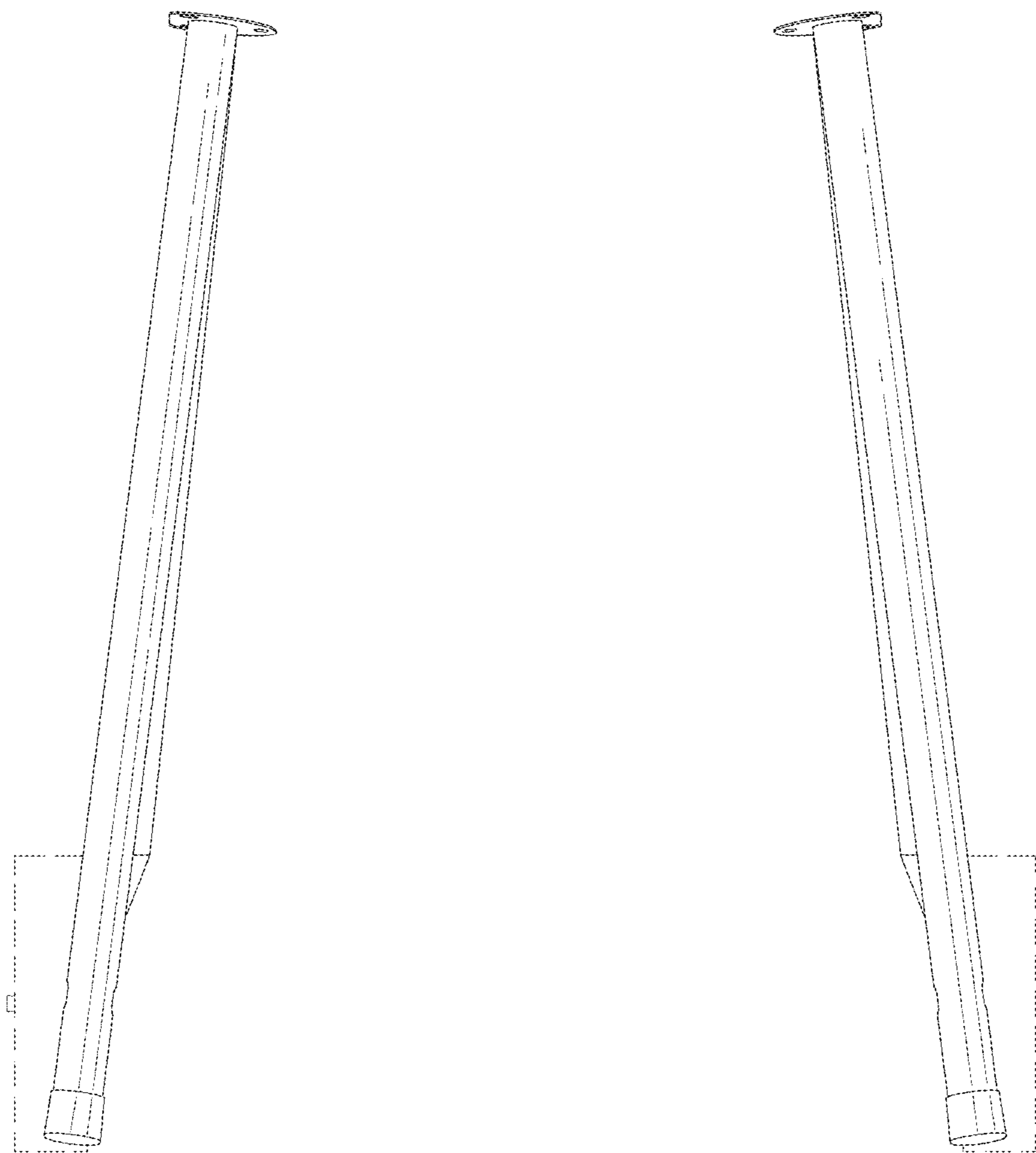


FIG. 4

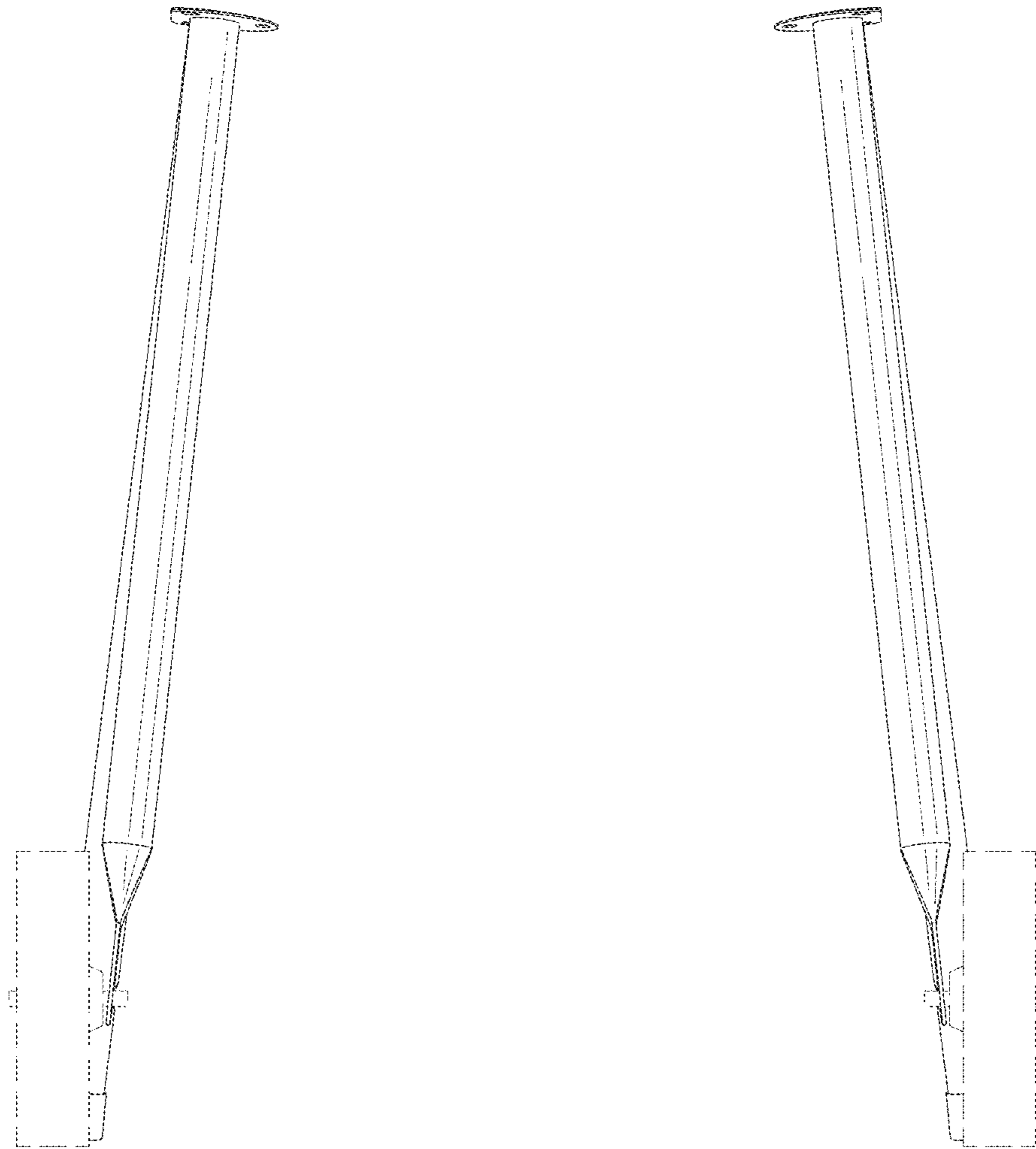


FIG. 5

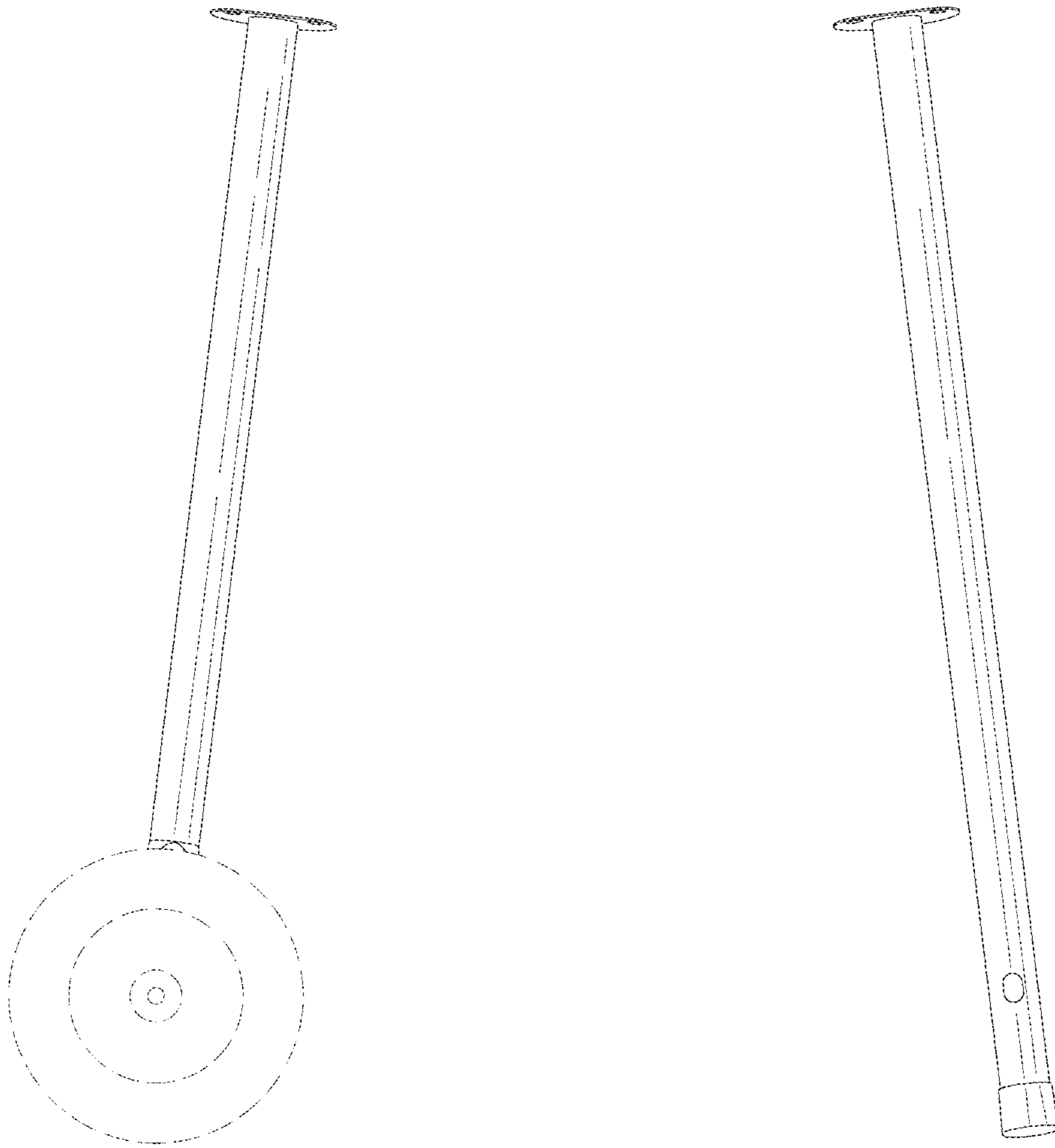


FIG. 6

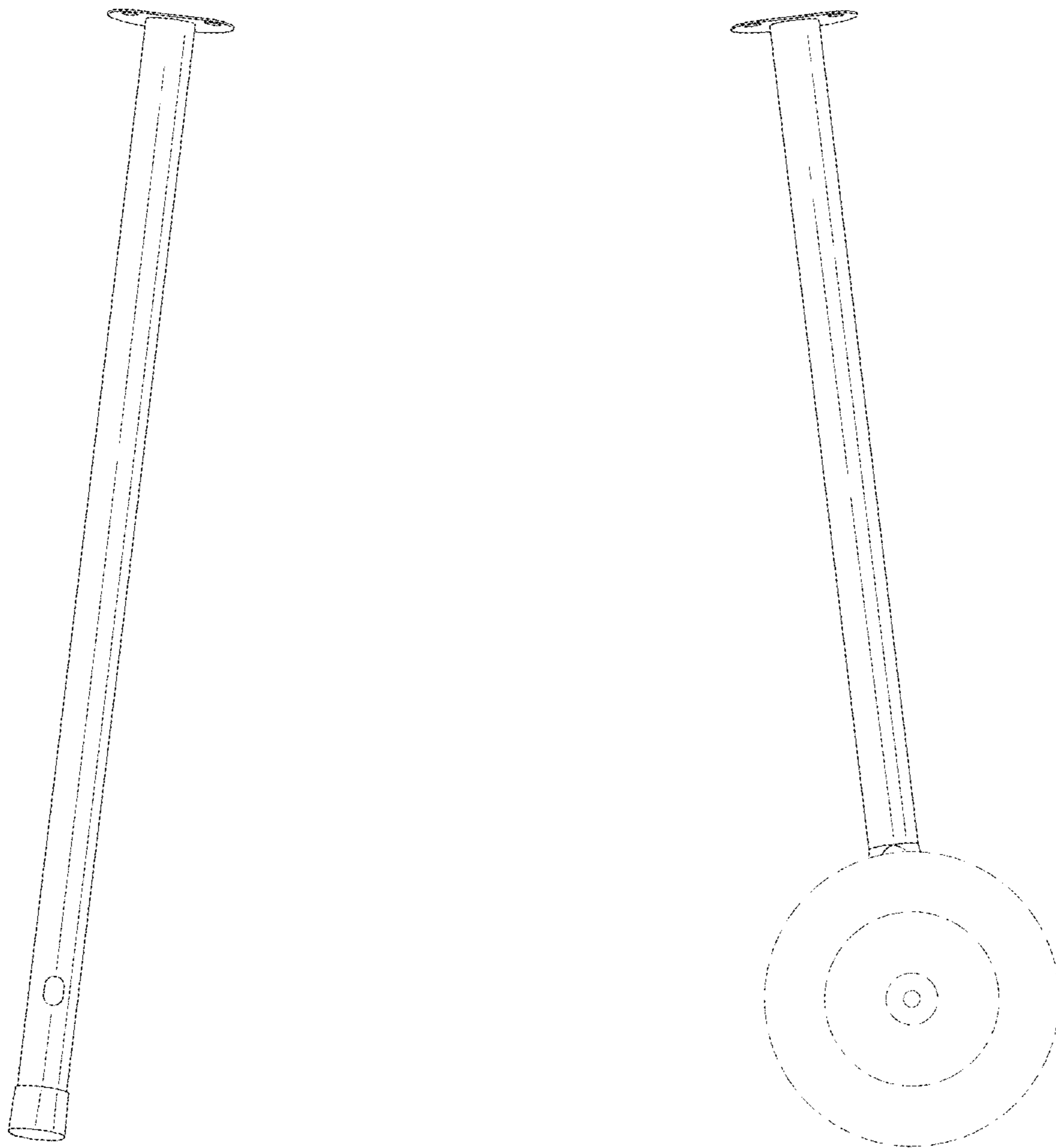


FIG. 7



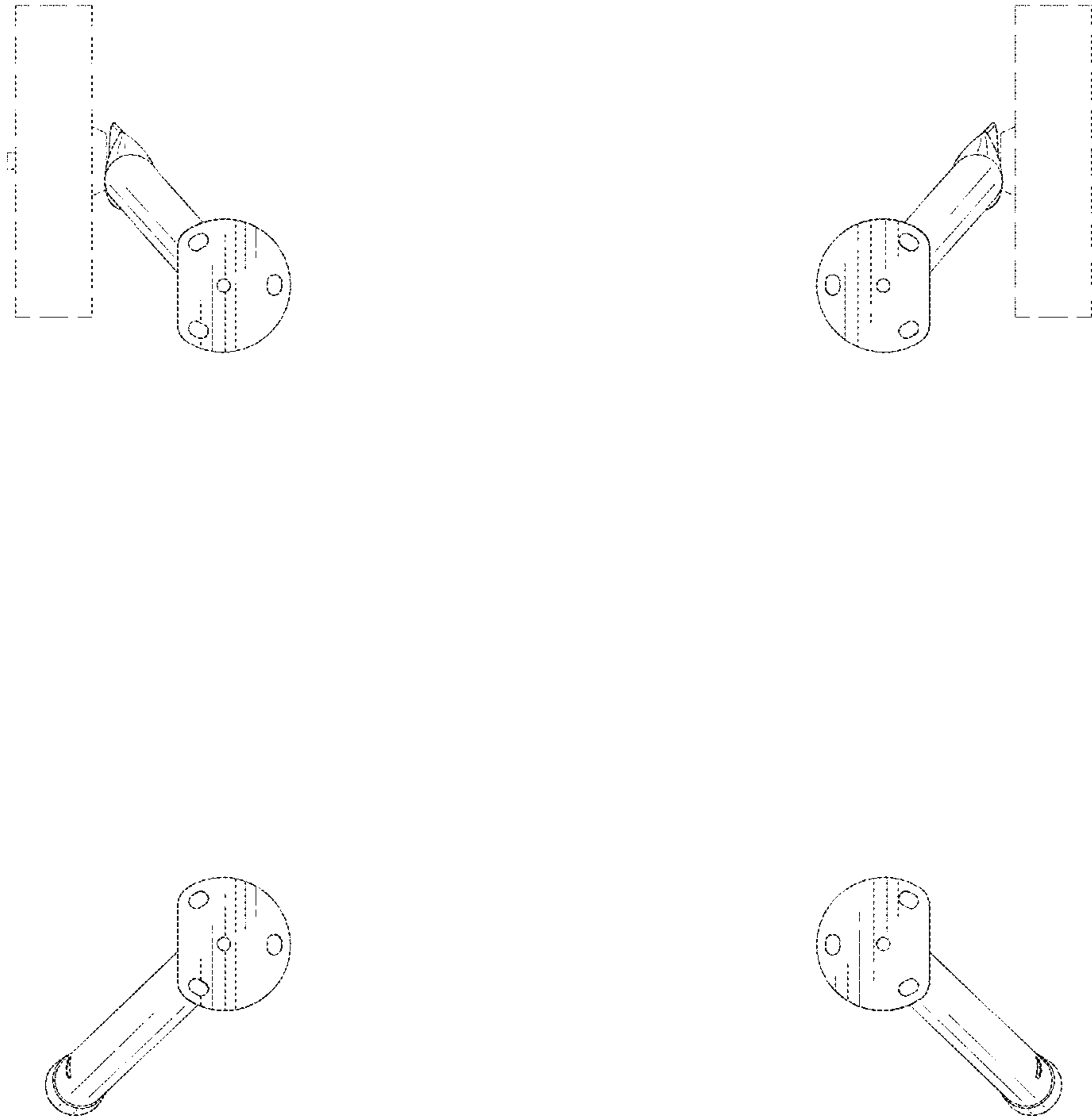


FIG. 8

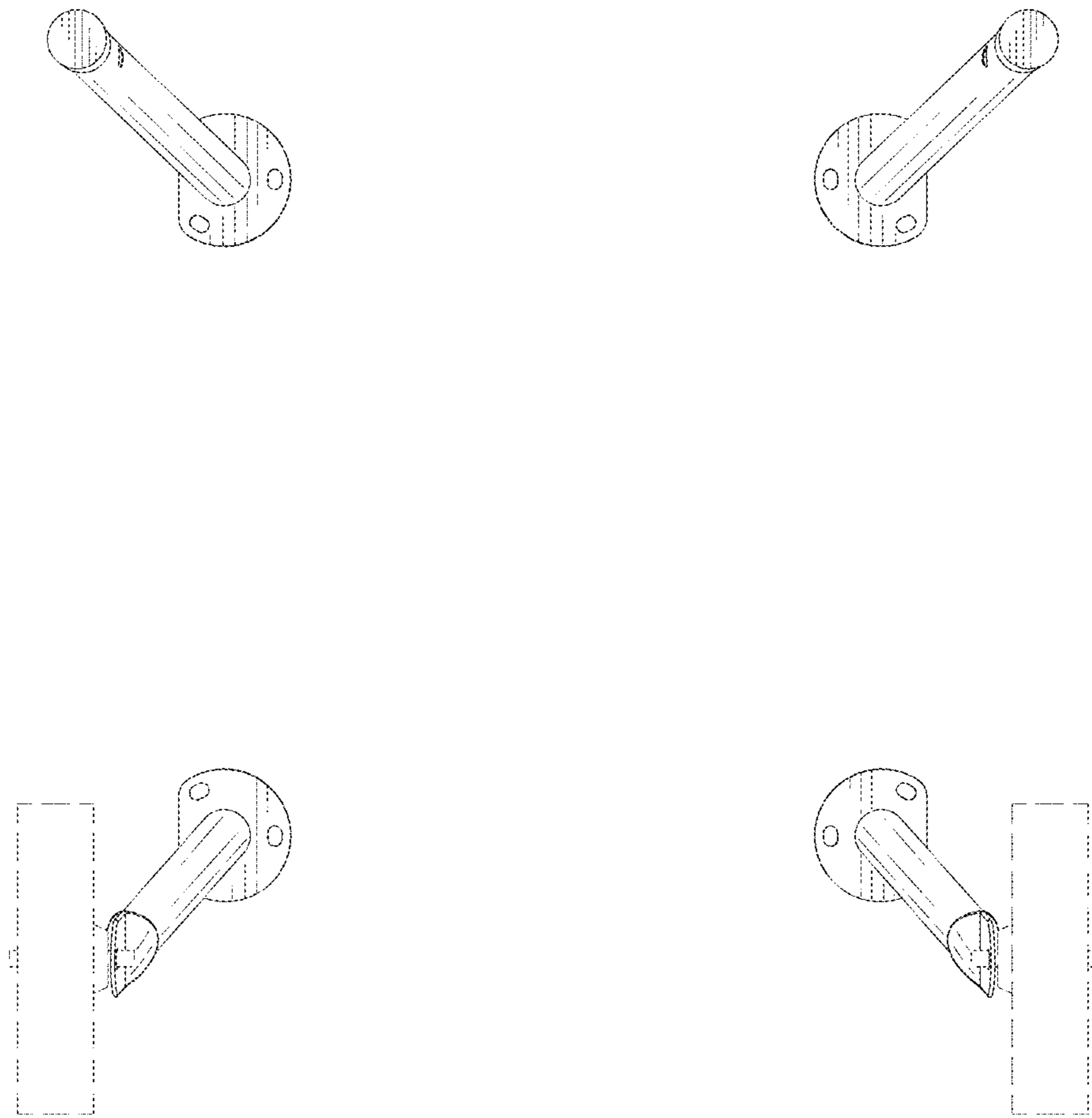


FIG. 9