



US00D875467S

(12) **United States Design Patent** (10) **Patent No.:** **US D875,467 S**  
**Kestenbaum** (45) **Date of Patent:** **\*\* Feb. 18, 2020**

(54) **WATER CONTAINER**

(71) Applicant: **SharkNinja Operating LLC**,  
Needham, MA (US)

(72) Inventor: **Daniel Kestenbaum**, Brookline, MA  
(US)

(73) Assignee: **SHARKNINJA OPERATING LLC**,  
Needham, MA (US)

(\*\*) Term: **15 Years**

(21) Appl. No.: **29/646,154**

(22) Filed: **May 2, 2018**

**Related U.S. Application Data**

(62) Division of application No. 29/596,437, filed on Mar.  
8, 2017, now Pat. No. Des. 819,397, which is a  
(Continued)

(51) **LOC (12) Cl.** ..... **07-99**

(52) **U.S. Cl.**  
USPC ..... **D7/397**; D7/401; D7/399; D7/313

(58) **Field of Classification Search**  
USPC ..... D7/400, 397, 399, 313, 306-311, 312,  
D7/401; D9/549, 435, 520, 521, 772,  
(Continued)

(56) **References Cited**

**U.S. PATENT DOCUMENTS**

2,285,096 A \* 6/1942 Sailer ..... F25D 3/08  
62/392

D200,444 S 2/1965 Bijvoet et al.  
(Continued)

*Primary Examiner* — Marianne N Pandozzi

(74) *Attorney, Agent, or Firm* — Cantor Colburn LLP

(57) **CLAIM**

I claim, the ornamental design for a water container, as shown and described.

**DESCRIPTION**

FIG. 1 is a perspective view of a water container showing a first embodiment of my new design;

FIG. 2 is a front view of the embodiment shown in FIG. 1;

FIG. 3 is a back view of the embodiment shown in FIG. 1;

FIG. 4 is a top plan view of the embodiment shown in FIG. 1;

FIG. 5 is a bottom plan view of the embodiment shown in FIG. 1;

FIG. 6 is a side view of the embodiment shown in FIG. 1;

FIG. 7 is another side view of the embodiment shown in FIG. 1;

FIG. 8 is an environmental perspective view of the embodiment shown in FIG. 1;

FIG. 9 is a perspective view of a water container showing a second embodiment of my new design;

FIG. 10 is a front view of the embodiment shown in FIG. 9;

FIG. 11 is a back view of the embodiment shown in FIG. 9;

FIG. 12 is a top plan view of the embodiment shown in FIG. 9;

FIG. 13 is a bottom plan view of the embodiment shown in FIG. 9;

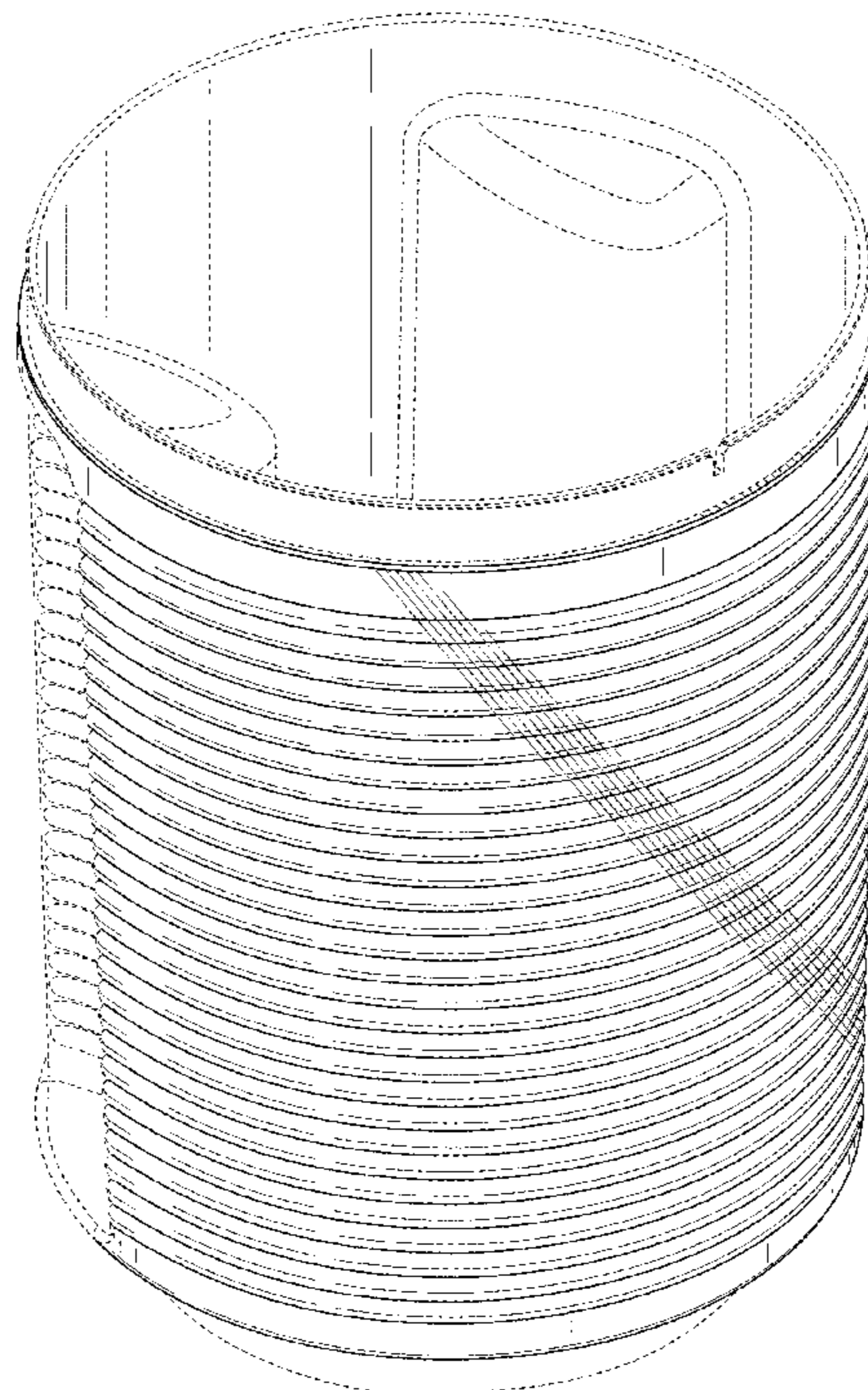
FIG. 14 is a side view of the embodiment shown in FIG. 9;

FIG. 15 is another side view of the embodiment shown in FIG. 9; and,

FIG. 16 is an environmental perspective view of the embodiment shown in FIG. 9.

The broken lines are for environmental purpose only and form no part of the claimed design.

**1 Claim, 16 Drawing Sheets**



**Related U.S. Application Data**

division of application No. 29/530,398, filed on Jun. 16, 2015, now Pat. No. Des. 784,075.

(58) **Field of Classification Search**

USPC ..... D9/530; D30/132; D10/46.2, 101; D32/29.1, 30; 220/675; 215/12.2, 382; D34/39; 99/279  
 CPC . A45D 33/18; A01K 7/00; A47J 42/18; B29C 47/0023; H01M 2/0237; C12C 11/003  
 See application file for complete search history.

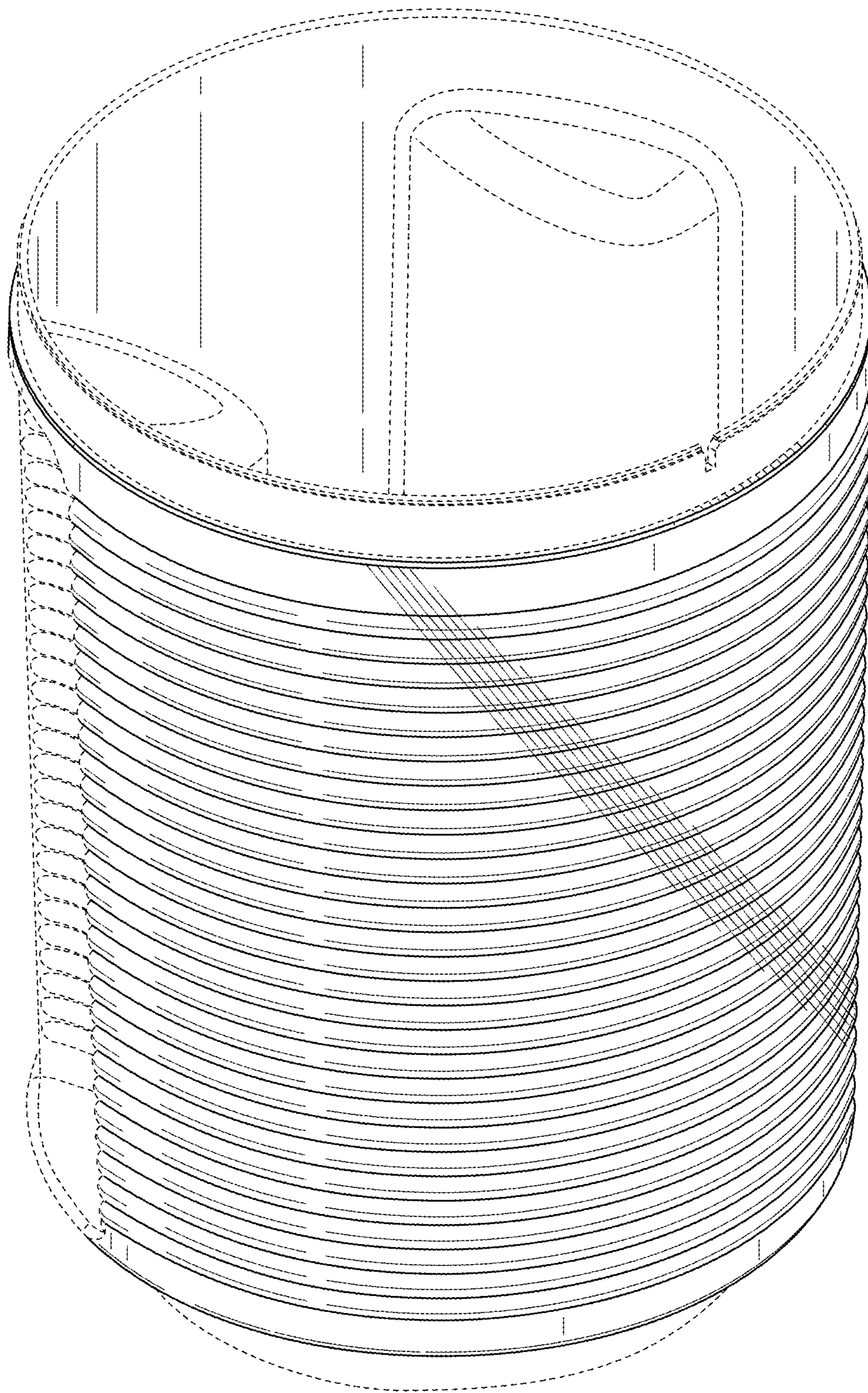
(56) **References Cited**

U.S. PATENT DOCUMENTS

D202,611 S 10/1965 Gantz  
 D209,631 S 12/1967 Schaper et al.  
 D210,307 S \* 2/1968 Branscum ..... D7/313  
 D211,855 S 8/1968 Ullman  
 D277,041 S 1/1985 Nichols  
 D333,704 S 3/1993 Malcolm  
 D360,100 S 7/1995 Van Den Berghe  
 D370,153 S 5/1996 Chaney et al.

D378,883 S \* 4/1997 Magnusson ..... D23/209  
 5,850,935 A 12/1998 Luburic et al.  
 D419,822 S 2/2000 Woodyard  
 D443,780 S 6/2001 Kauzlarich et al.  
 D448,302 S 9/2001 Cheng et al.  
 D448,672 S 10/2001 Cheng et al.  
 D449,538 S 10/2001 Burleson et al.  
 D449,539 S 10/2001 Lakatosh et al.  
 D473,142 S 4/2003 Beaver  
 D483,269 S 12/2003 Walsh et al.  
 D507,184 S 7/2005 Beaver et al.  
 D507,970 S 8/2005 Bonaldes et al.  
 D512,641 S 12/2005 Anderson et al.  
 7,464,836 B1 \* 12/2008 Deweese ..... B67D 3/00  
 220/592.16  
 D588,918 S 3/2009 Young et al.  
 D643,669 S \* 8/2011 Burgess ..... D7/306  
 D645,755 S 9/2011 Corbett et al.  
 D690,150 S 9/2013 Cahen  
 D716,094 S \* 10/2014 Wang ..... D7/306  
 D756,231 S 5/2016 Zweifel et al.  
 D782,315 S 3/2017 Mooney  
 D819,397 S \* 6/2018 Kestenbaum ..... D7/397  
 2005/0218108 A1 10/2005 Bangi et al.

\* cited by examiner



**FIG. 1**

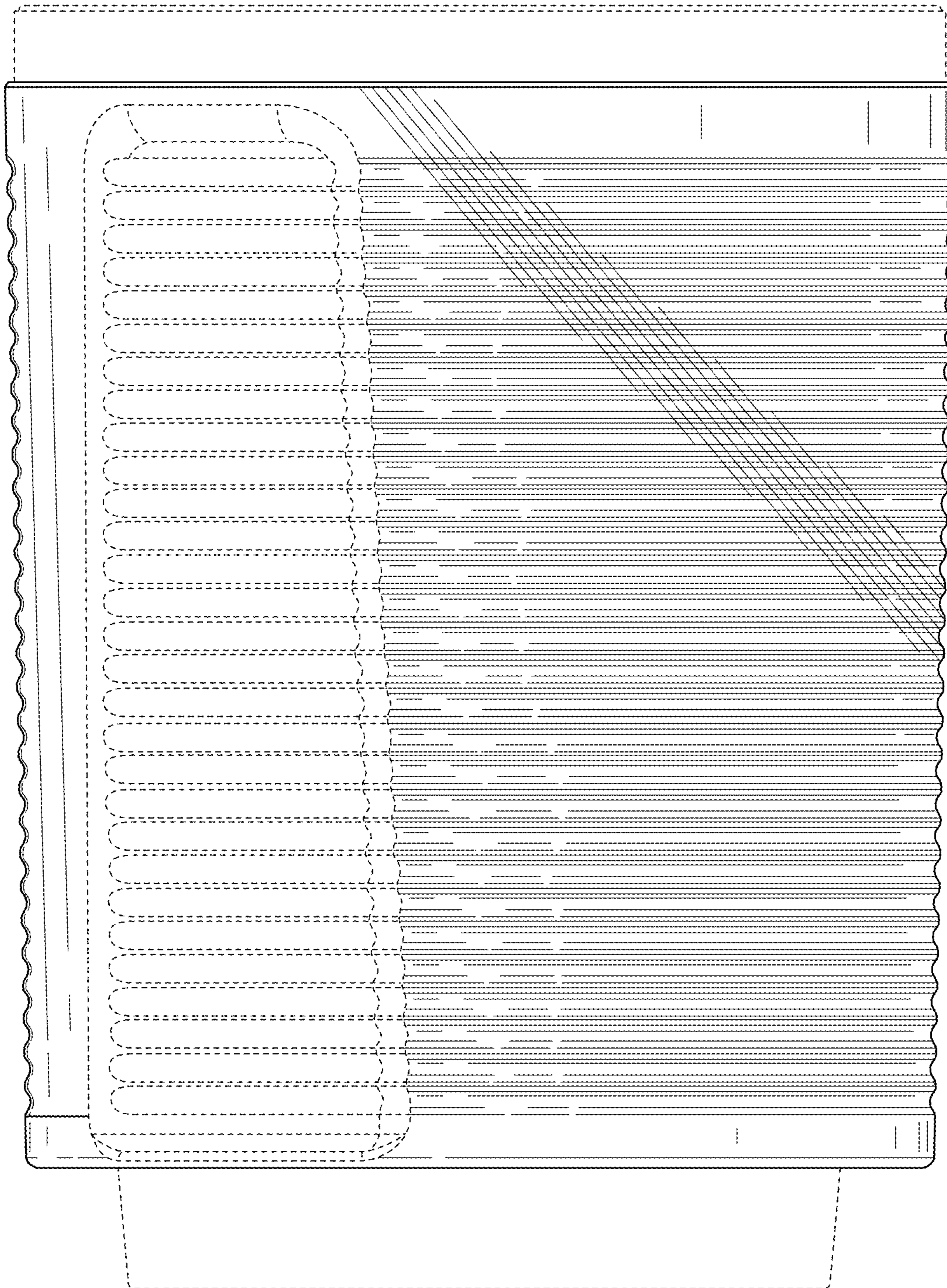


FIG. 2

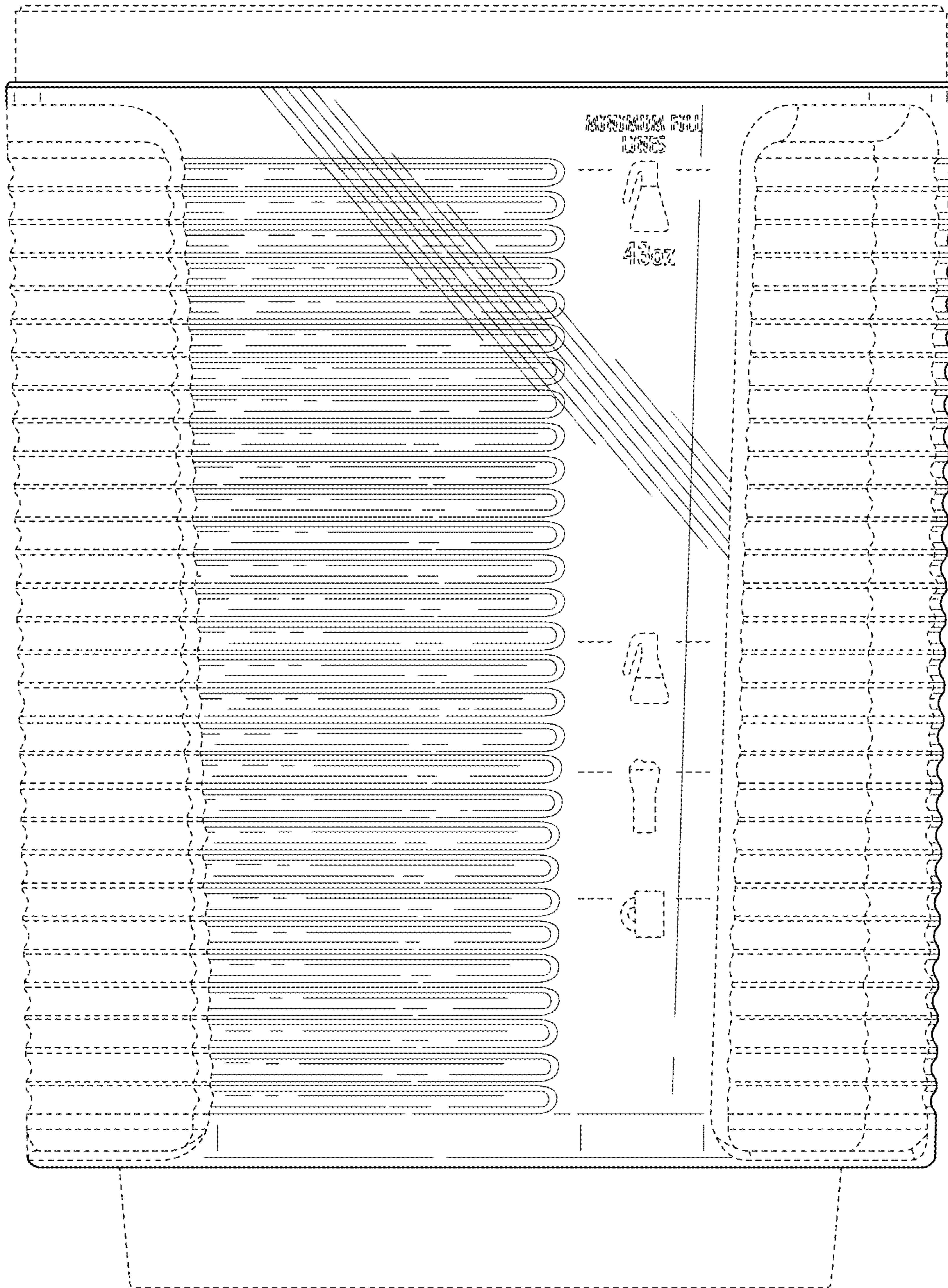


FIG. 3

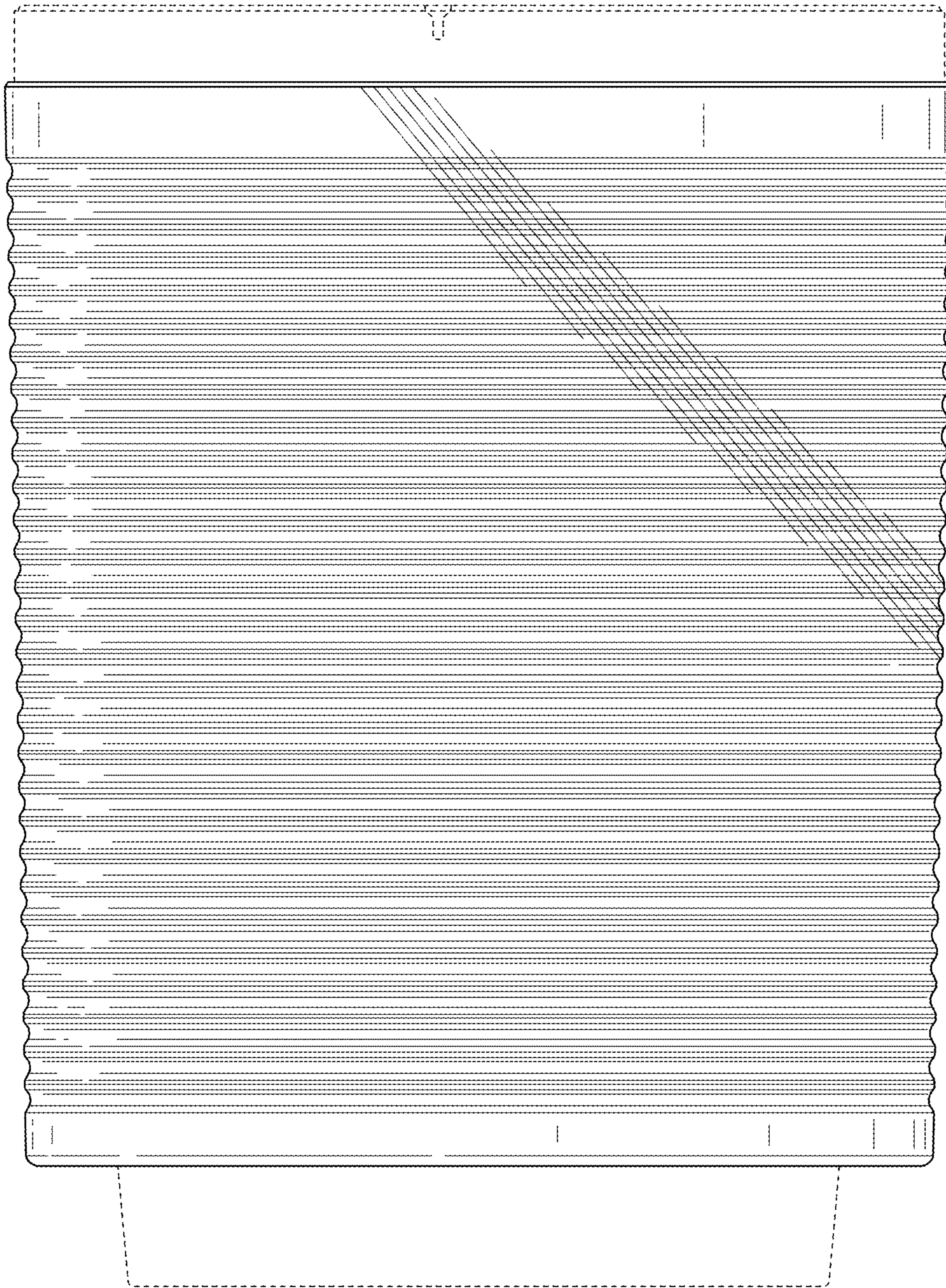


FIG. 4

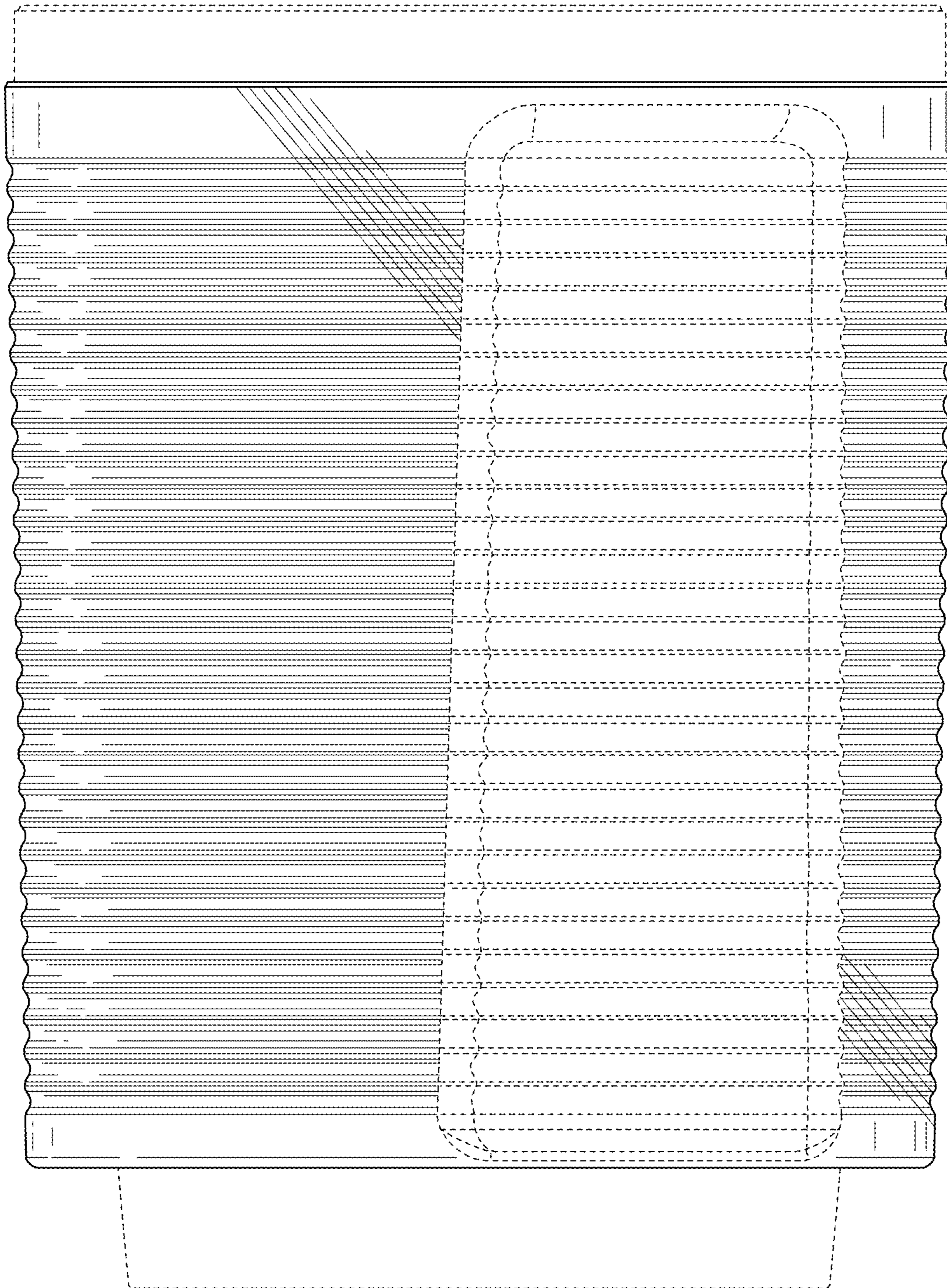


FIG. 5

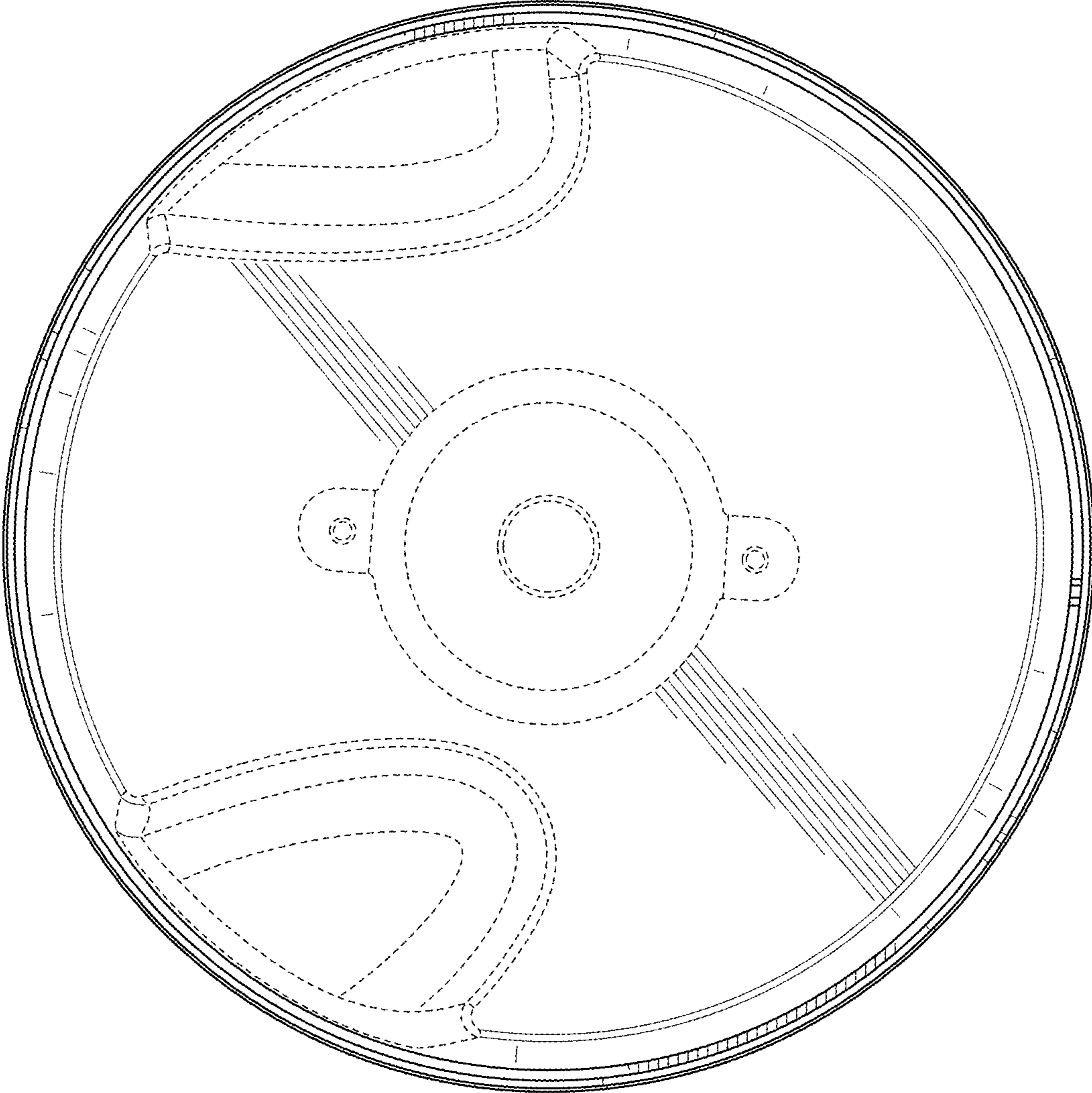


FIG. 6



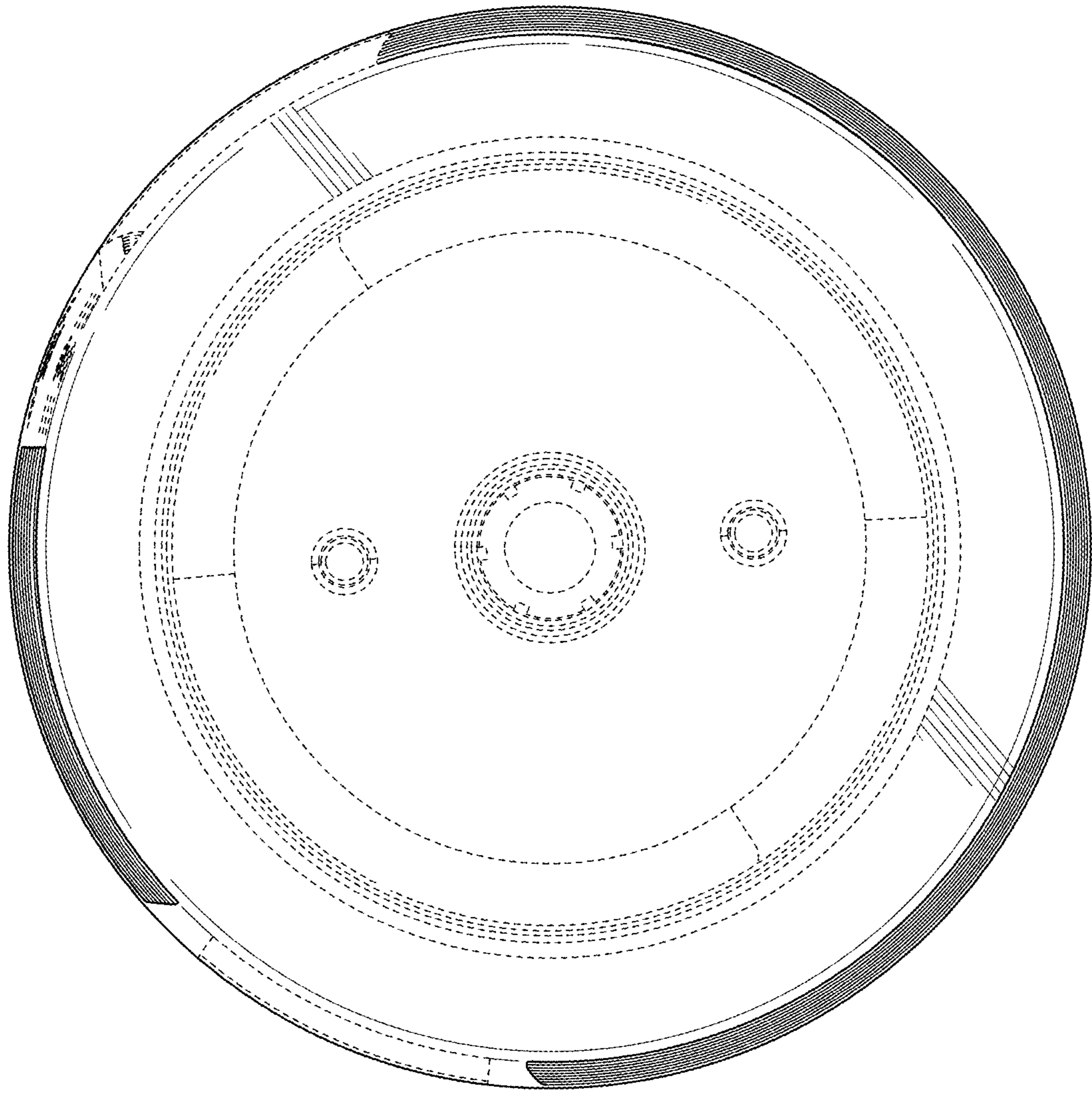


FIG. 7

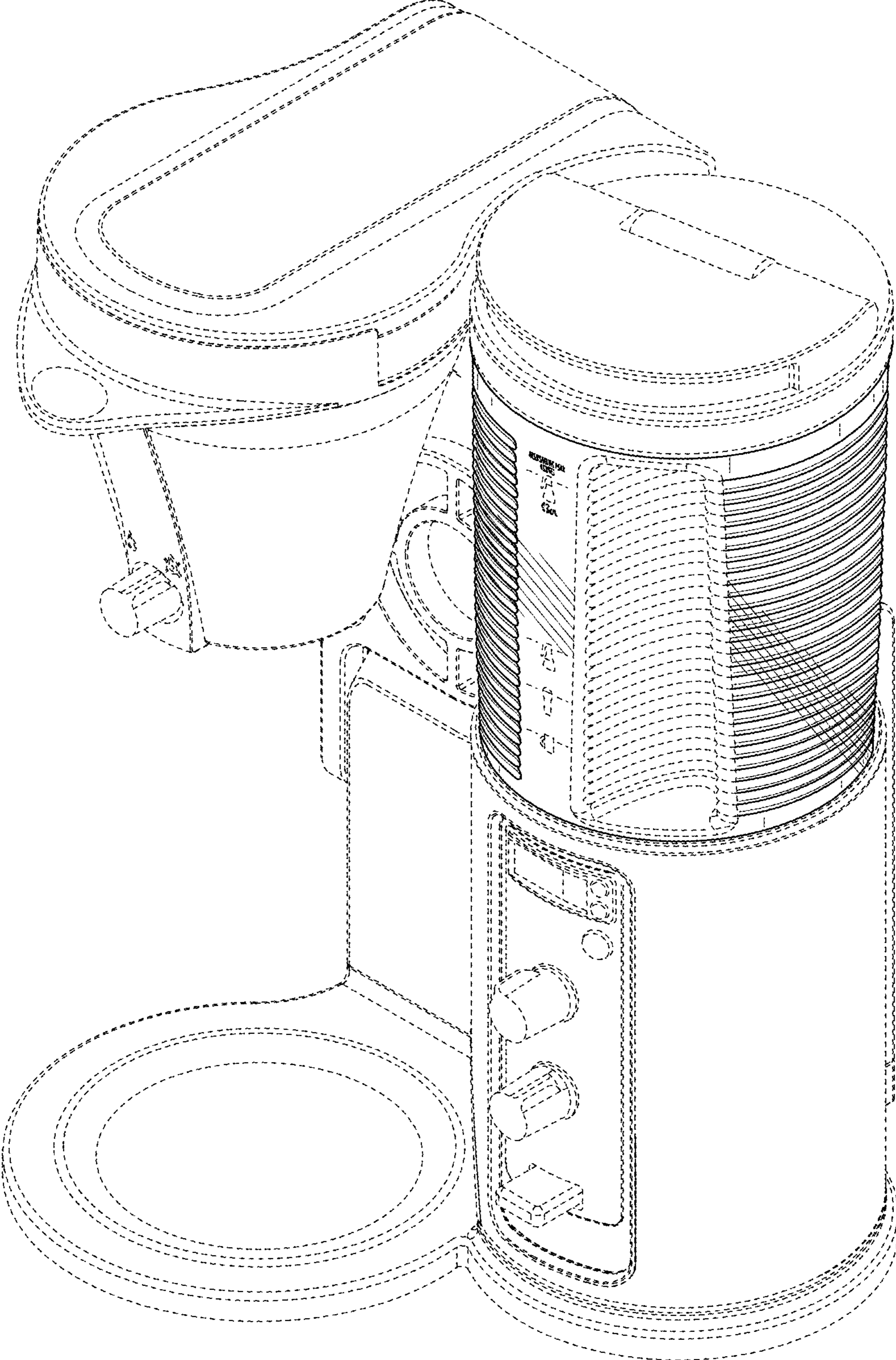
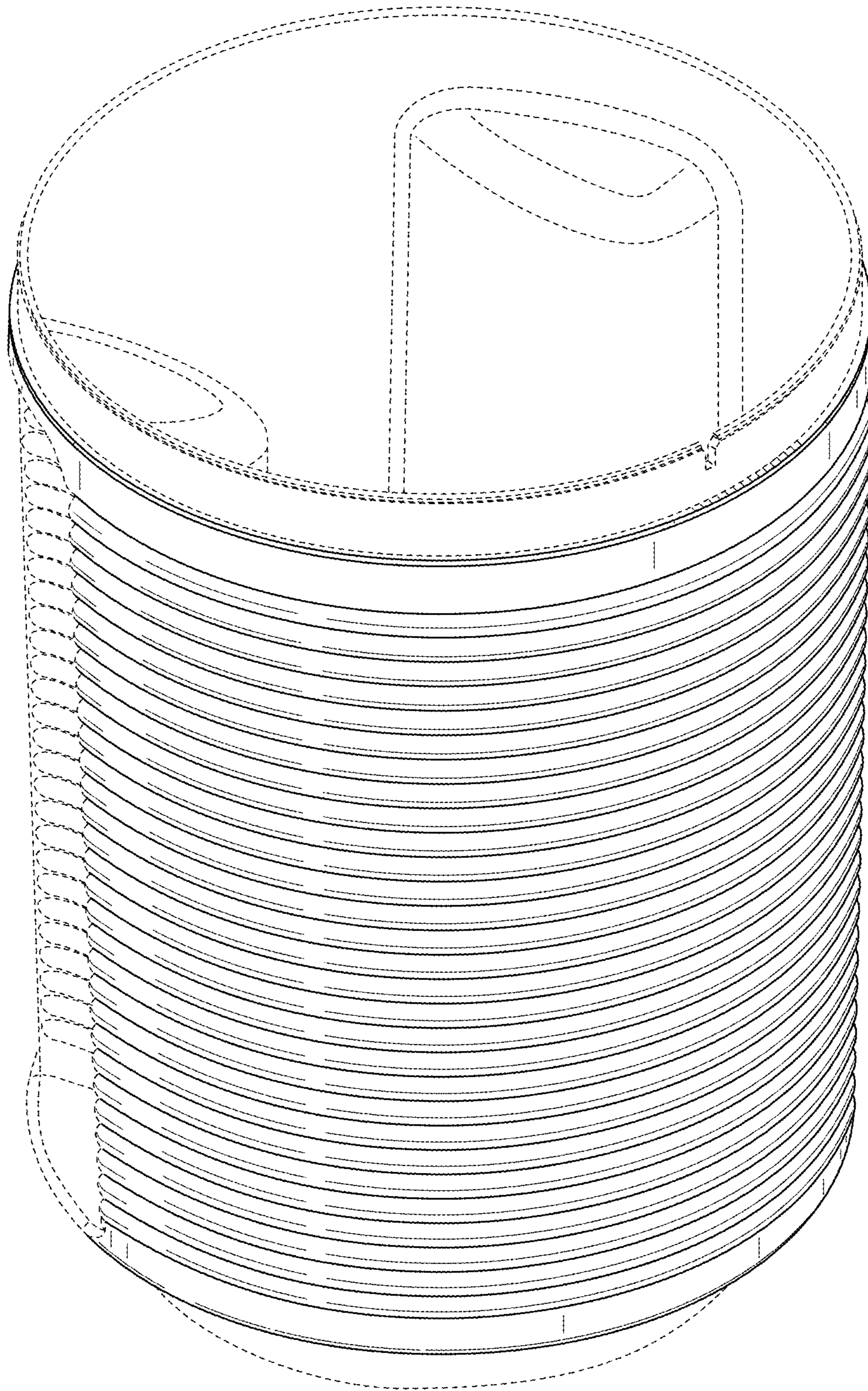
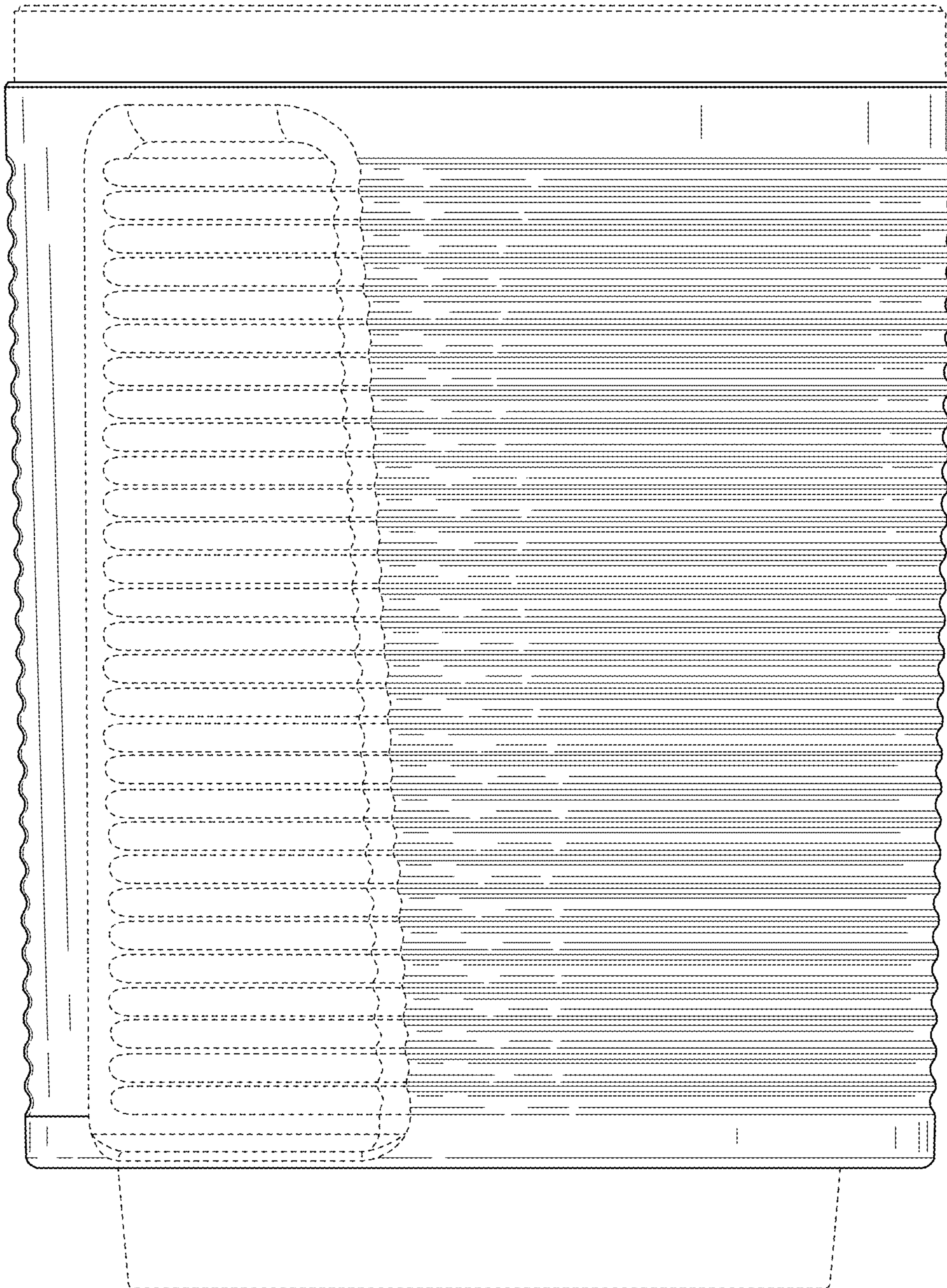


FIG. 8



**FIG. 9**



**FIG. 10**

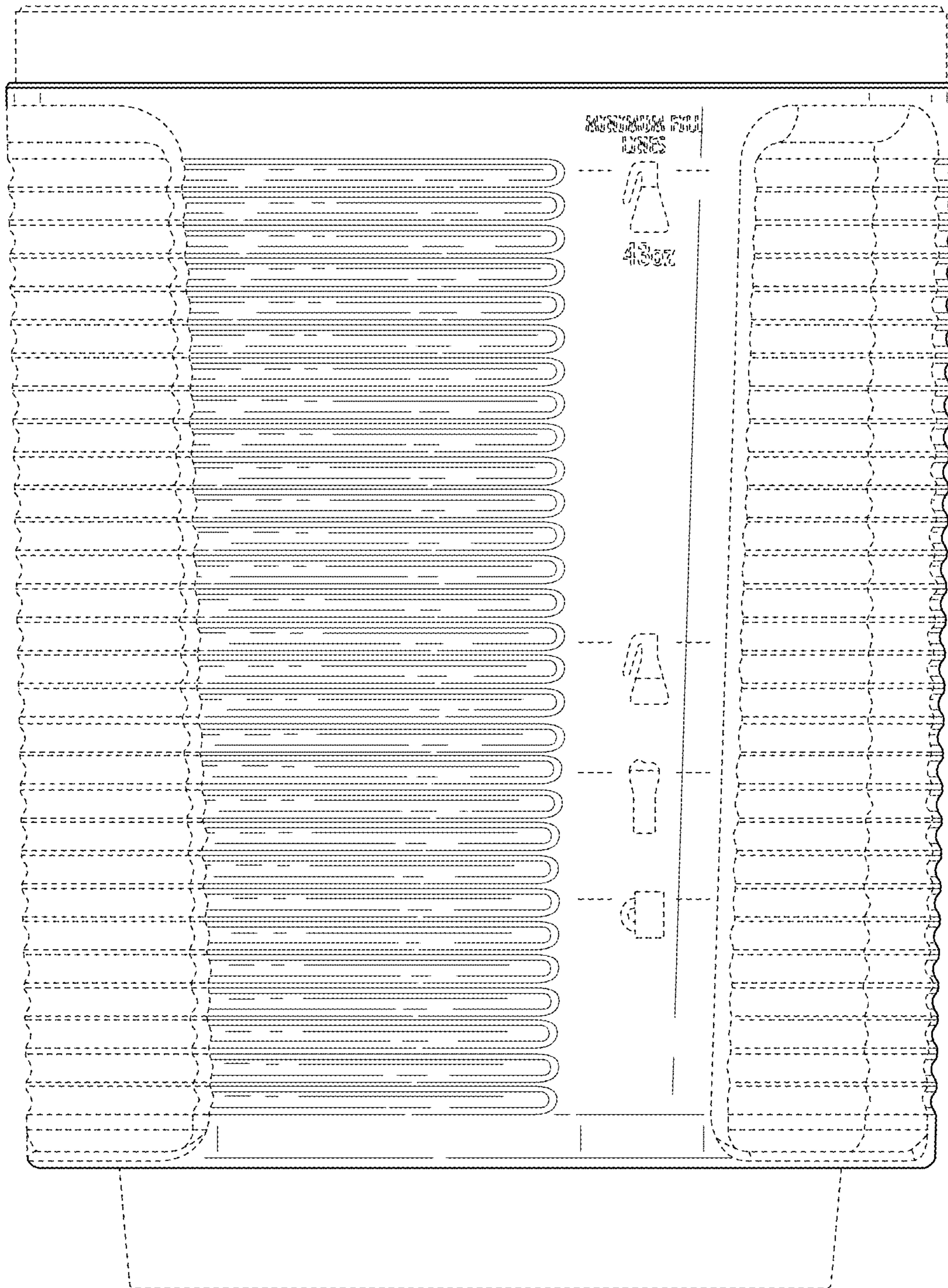


FIG. 11

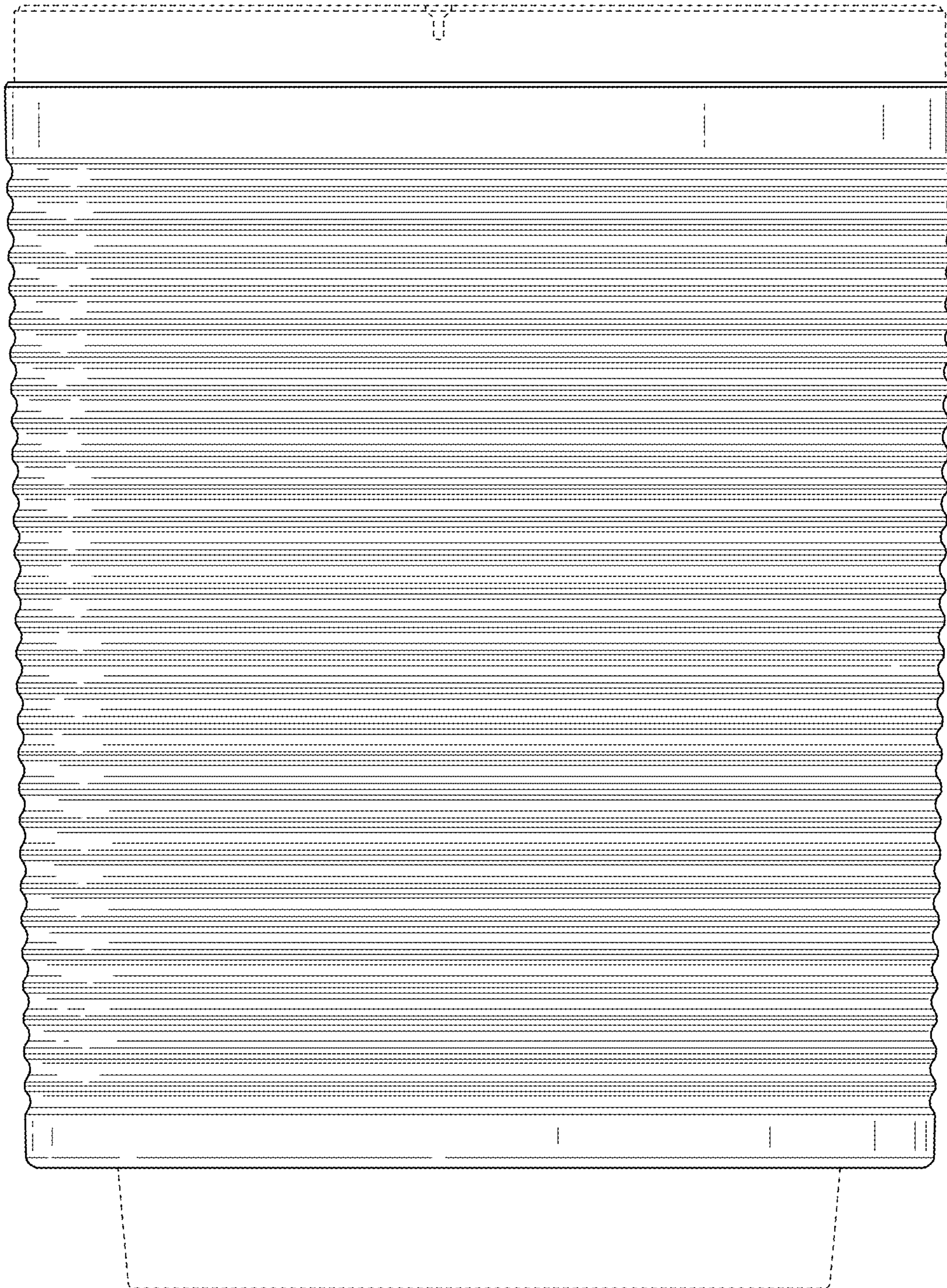
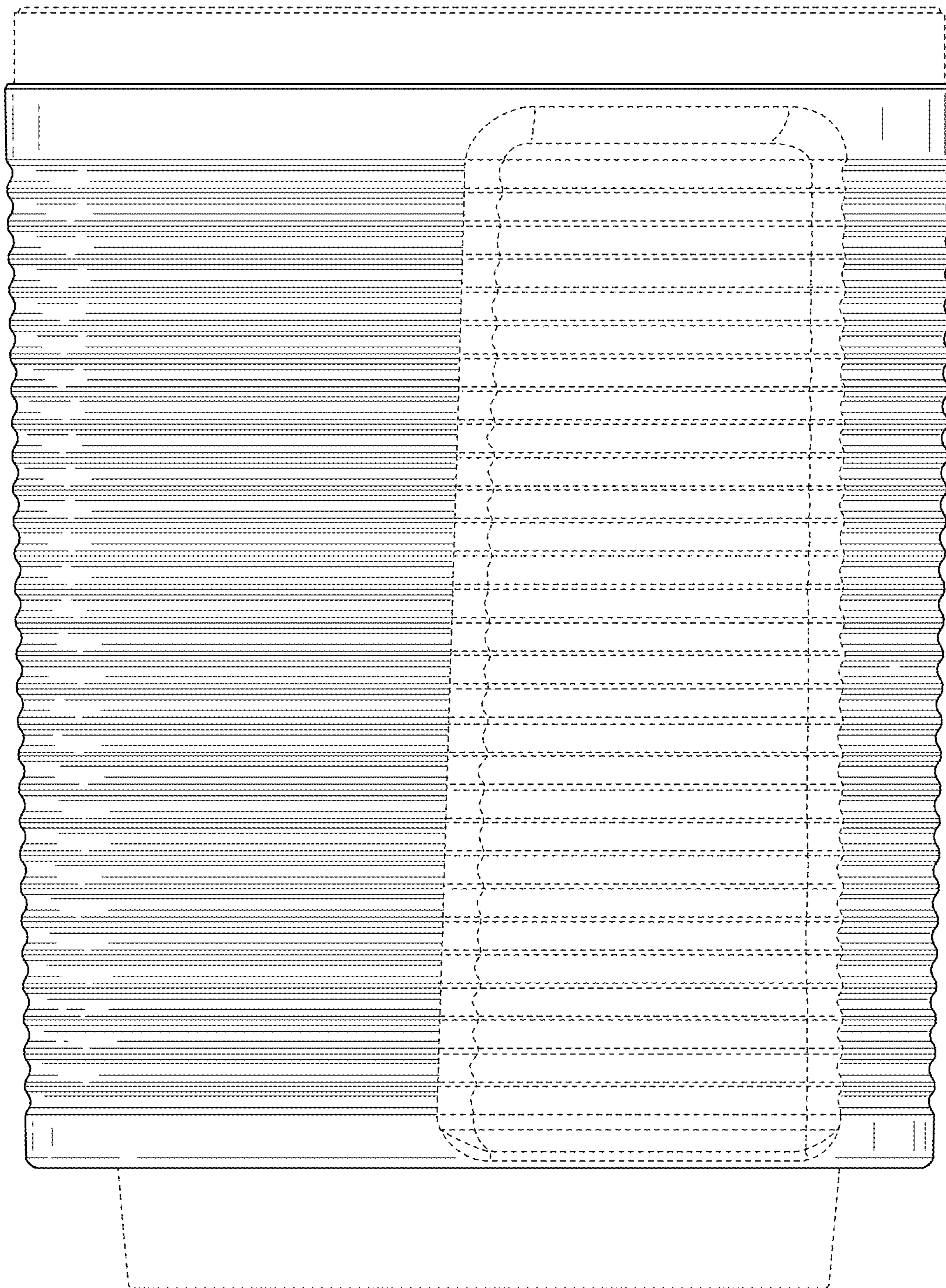


FIG. 12



**FIG. 13**

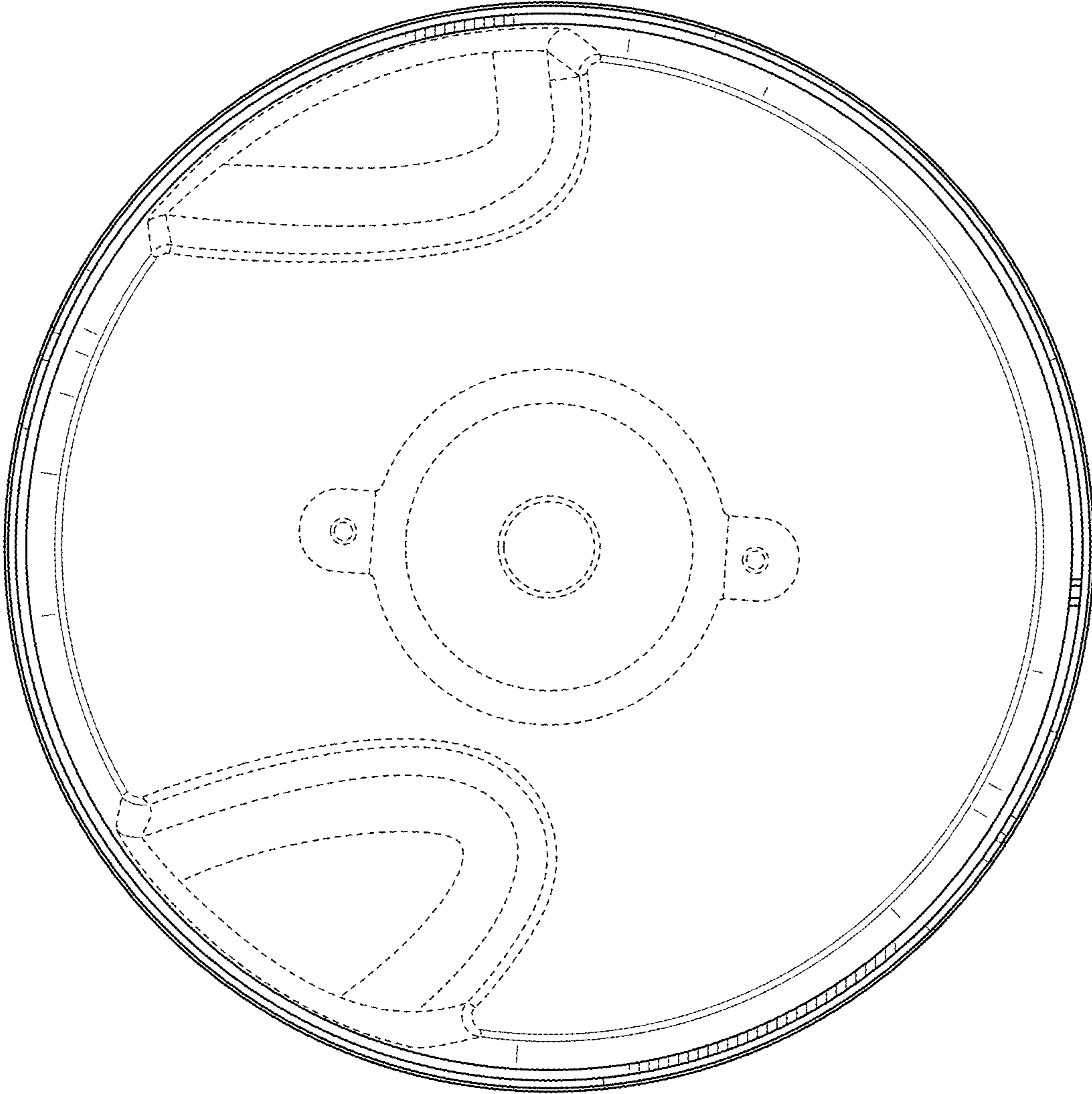


FIG. 14



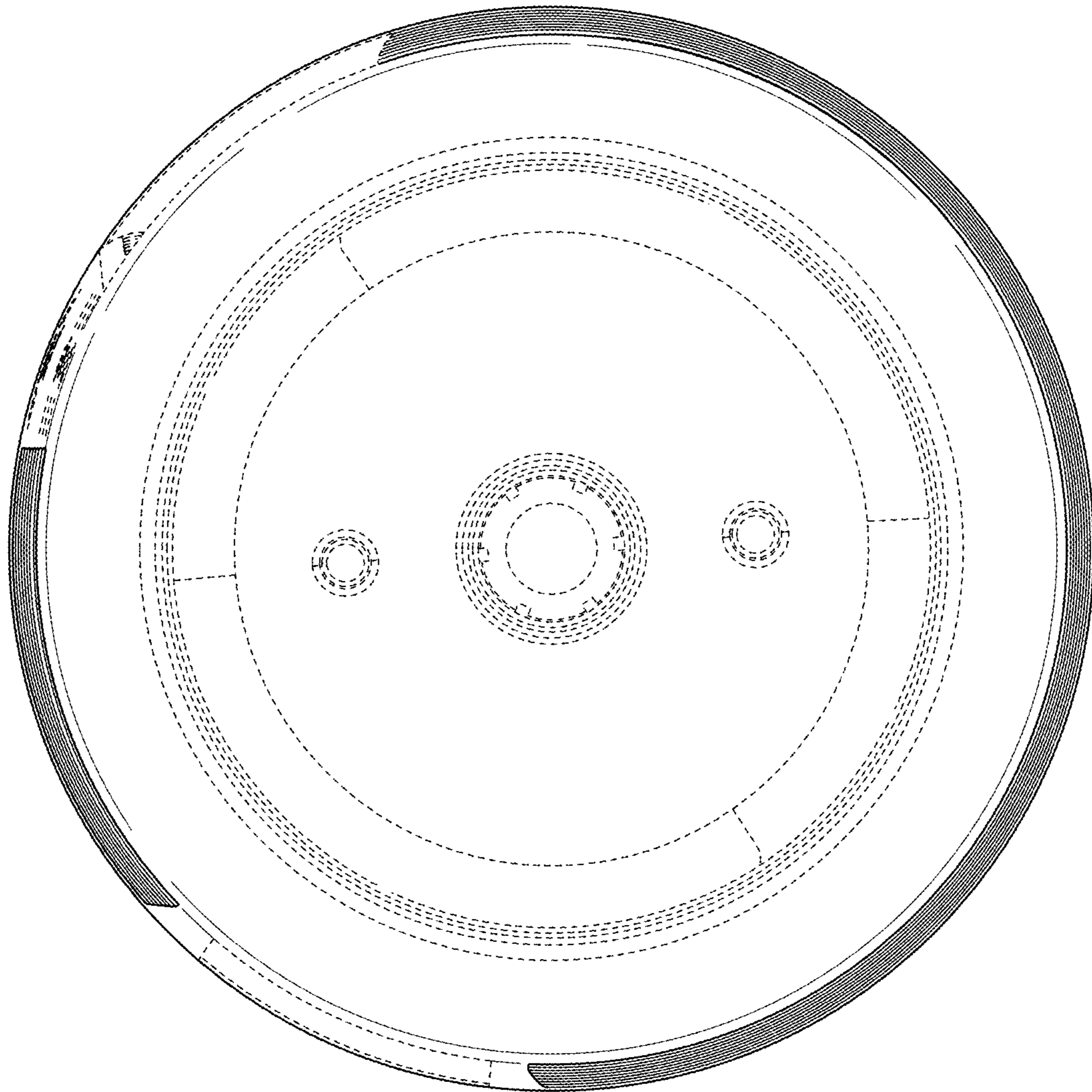


FIG. 15

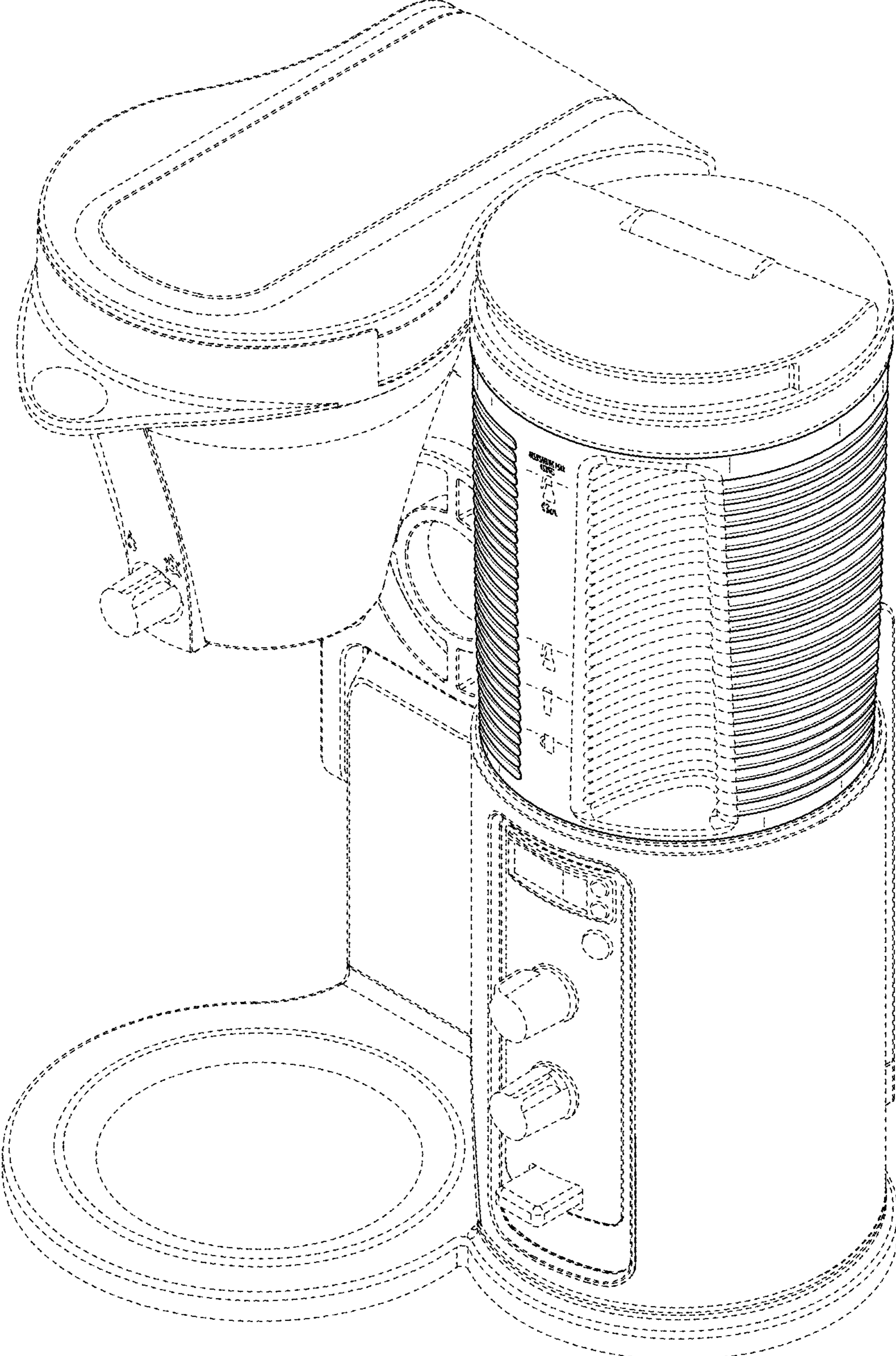


FIG. 16