



US00D875466S

(12) **United States Design Patent** (10) **Patent No.:** **US D875,466 S**
Diener et al. (45) **Date of Patent:** **** Feb. 18, 2020**

- (54) **VESSEL ENCLOSURE**
- (71) Applicants: **Ryan Diener**, Bend, OR (US); **Mike Allen**, Bend, OR (US)
- (72) Inventors: **Ryan Diener**, Bend, OR (US); **Mike Allen**, Bend, OR (US)
- (73) Assignee: **HELEN OF TROY LIMITED**, St. Michael (BB)
- (**) Term: **15 Years**
- (21) Appl. No.: **29/617,796**
- (22) Filed: **Sep. 15, 2017**
- (51) **LOC (12) Cl.** **07-01**
- (52) **U.S. Cl.**
USPC **D7/396.2; D9/443; D7/392.1**
- (58) **Field of Classification Search**
USPC **D7/392, 392.1, 396.1, 396.2, 397, 398, D7/511; D9/434-436, 439, 443, 447, D9/449, 454, 499**
CPC **B65D 41/04**
See application file for complete search history.

(56) **References Cited**

U.S. PATENT DOCUMENTS

- D288,667 S * 3/1987 Miner D9/440
- D511,457 S * 11/2005 Biesecker D9/443
- D651,847 S * 1/2012 Gilbert D7/392.1

- D690,987 S * 10/2013 Gallen D7/392.1
- D703,997 S * 5/2014 Munari D7/393
- D720,218 S * 12/2014 Hutson D9/443
- D724,385 S * 3/2015 Hurley D7/511
- D786,012 S * 5/2017 Hein D7/396.2
- D803,053 S * 11/2017 Thwaites D9/443
- D806,468 S * 1/2018 Goodwin D7/392.1
- 2016/0318693 A1 * 11/2016 Hein B65D 41/0442

OTHER PUBLICATIONS

Hydro Flask. Hydro Flask Just Got Better—New Flex Cap Improves Insulation & Portability. Jul. 16, 2016. <URL:https://hydrationanywhere.com/hydro-flask-just-got-better-new-flex-cap-improves-insulation-portability/>. (Year: 2016).*

* cited by examiner

Primary Examiner — Darcey E Gottschalk

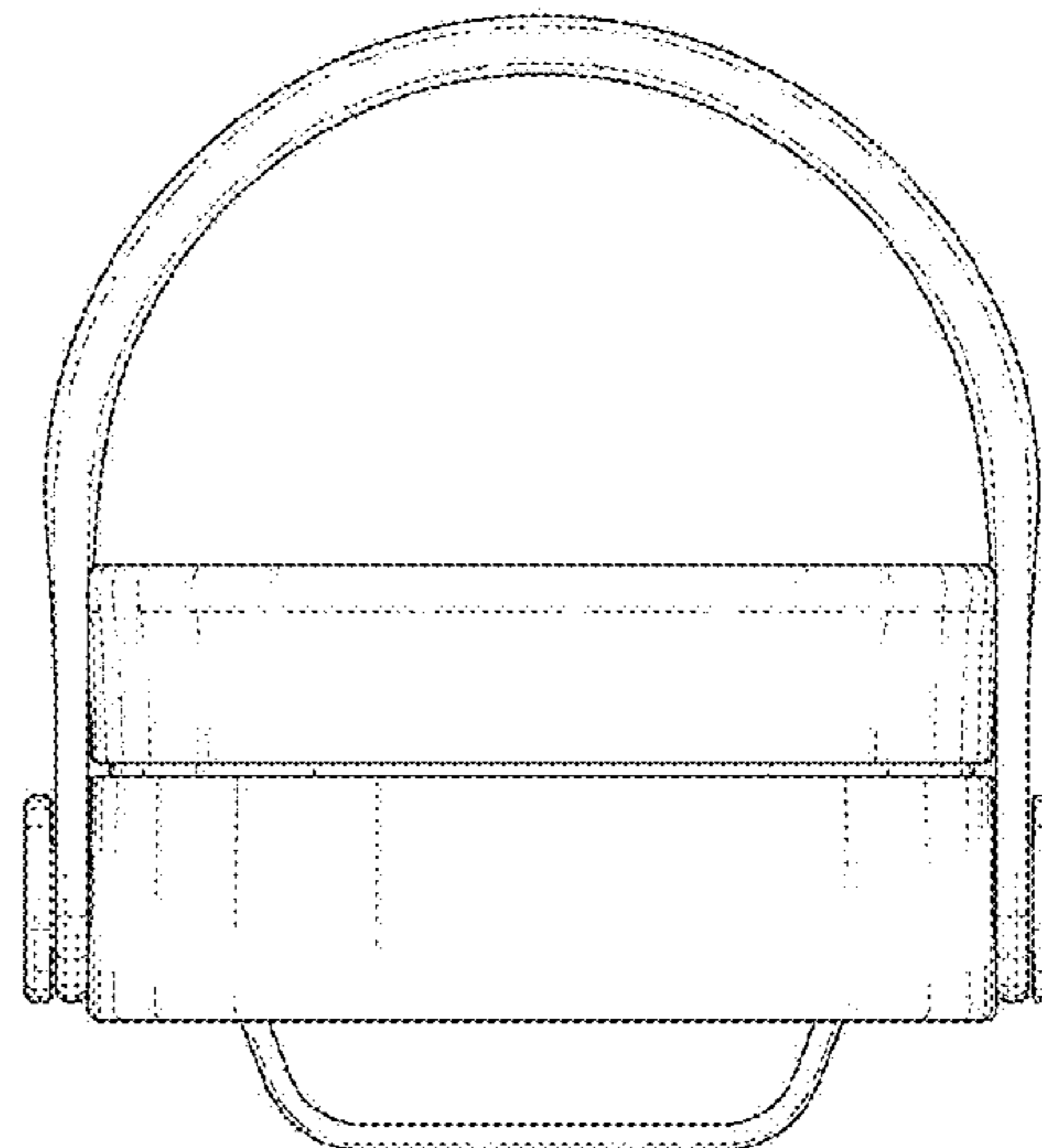
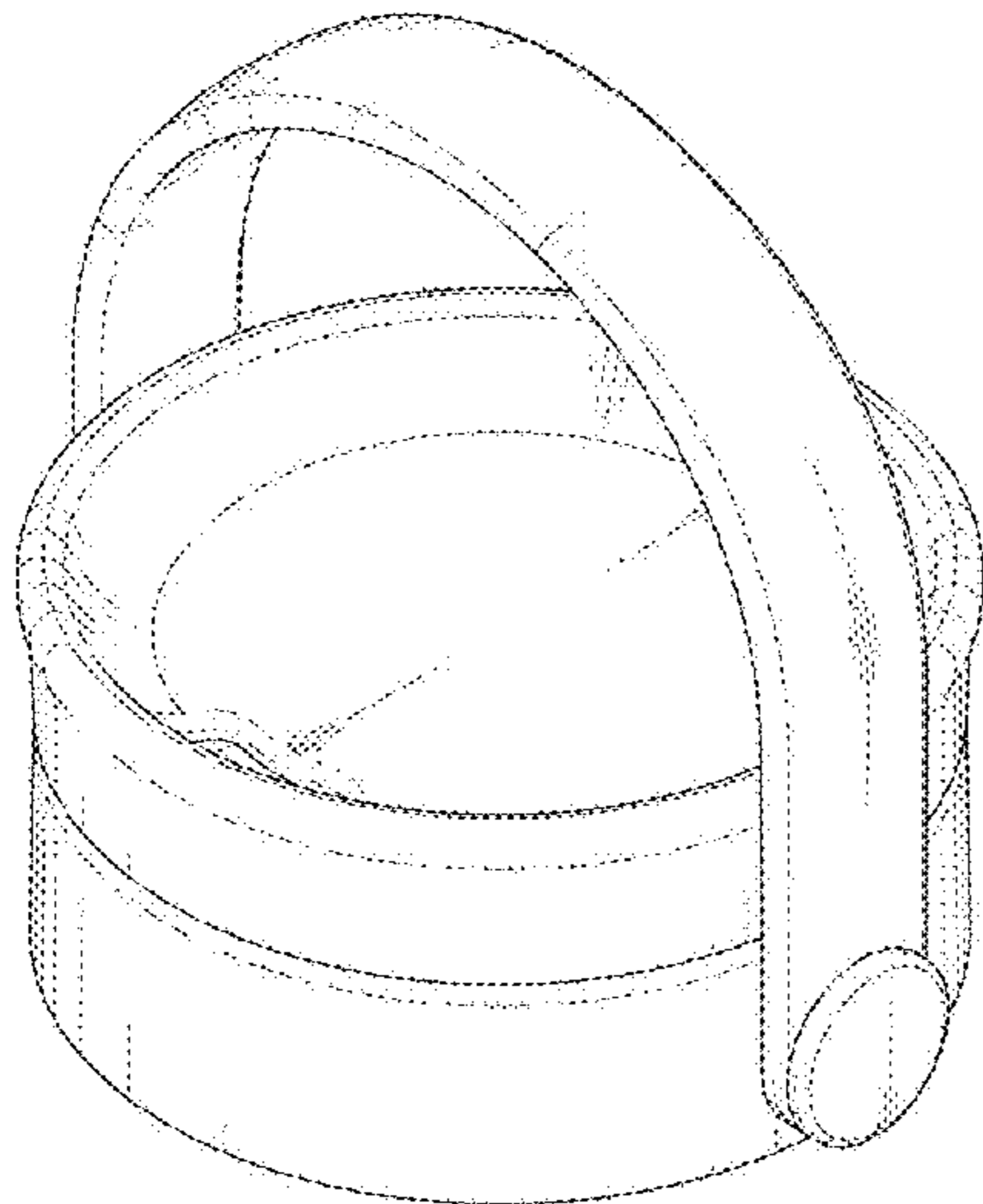
(57) **CLAIM**

The ornamental design for a vessel enclosure, as shown and described.

DESCRIPTION

FIG. 1 is a perspective view of a vessel enclosure; FIG. 2 is a front elevation view thereof (with the rear a mirror image thereof); FIG. 3 is a left side view thereof (with the right side a mirror image thereof); and, FIG. 4 is a top view thereof.

1 Claim, 4 Drawing Sheets



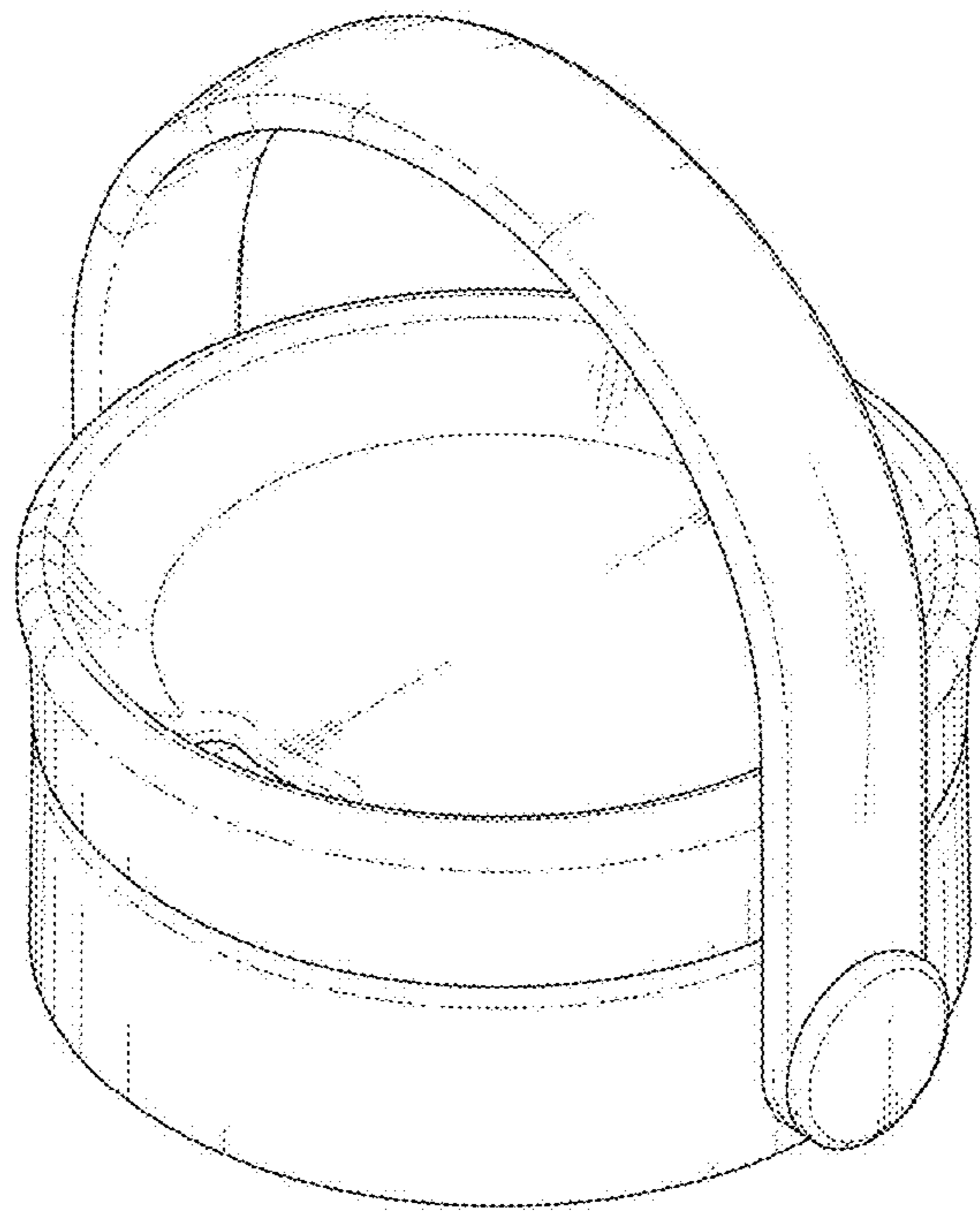


FIG. 1

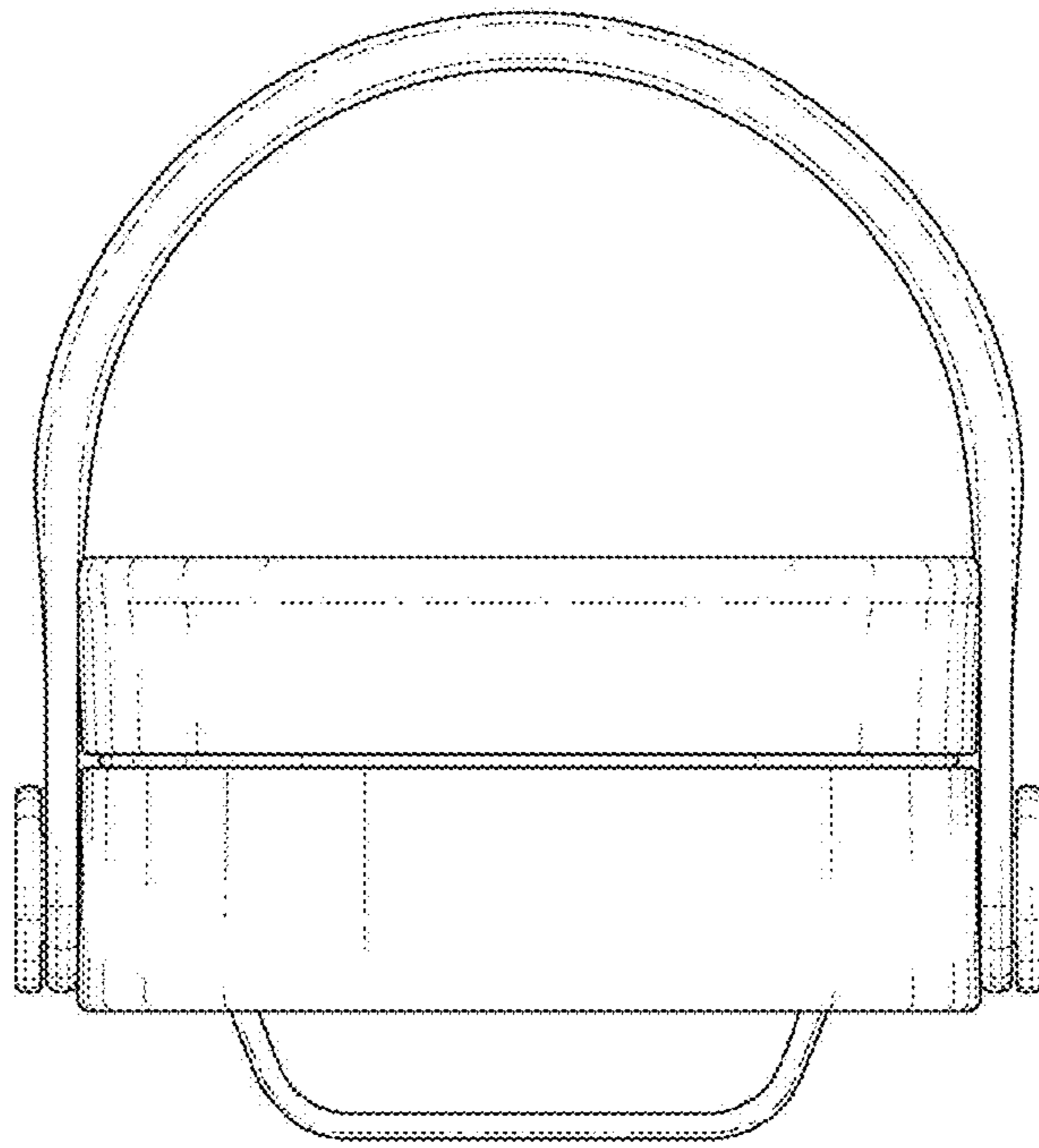


FIG. 2

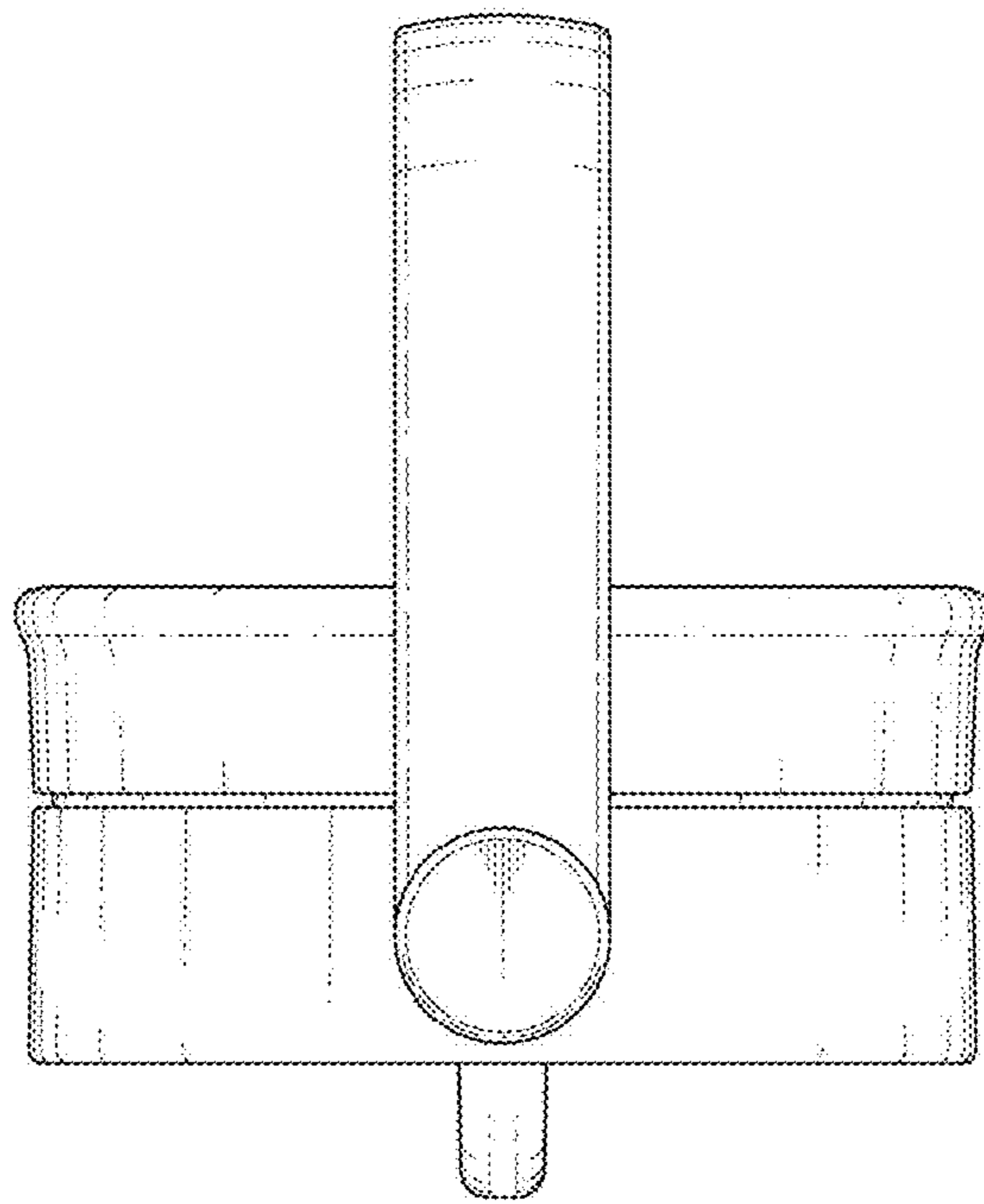


FIG. 3

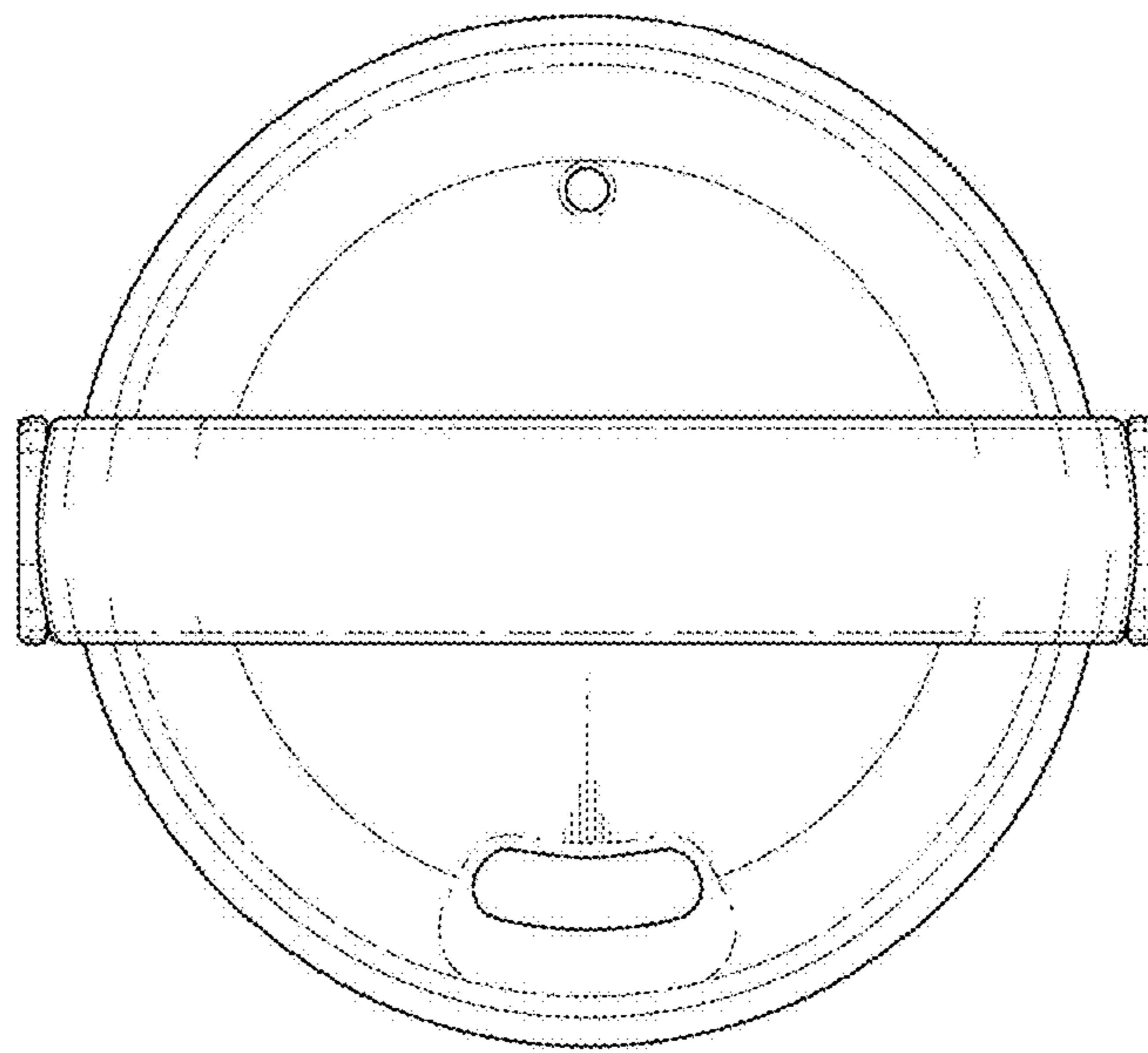


FIG. 4