

US00D875465S

(12) **United States Design Patent**
Dai

(10) **Patent No.:** **US D875,465 S**

(45) **Date of Patent:** **** Feb. 18, 2020**

(54) **LID**

(71) Applicant: **ShenZhen YiHong Technology Co., LTD**, ShenZhen, Guangdong (CN)

(72) Inventor: **Yi Dai**, ShenZhen (CN)

(73) Assignee: **ShenZhen YIHONG Technology CO., LTD**, ShenZhen, Guangdong Province (CN)

(**) Term: **15 Years**

(21) Appl. No.: **29/707,830**

(22) Filed: **Oct. 1, 2019**

(51) **LOC (12) Cl.** **07-02**

(52) **U.S. Cl.**
USPC **D7/391**

(58) **Field of Classification Search**
USPC D3/323; D7/391, 392, 392.1, 393, 397, D7/602, 605, 629; D9/414, 424-432, D9/435, 451-452
CPC A47J 36/027; A47J 36/06; A47J 36/2405; A47J 37/10; A47J 37/101; B65D 21/0209; B65D 43/00; B65D 43/02; B65D 43/022; B65D 43/0218; B65D 43/161; B65D 43/162; B65D 45/00; B65D 45/16; B65D 45/18; B65D 51/16; B65D 51/1683; B65D 51/1688; B65D 51/1694; B65F 1/1615
See application file for complete search history.

(56) **References Cited**

U.S. PATENT DOCUMENTS

D483,622 S * 12/2003 Kim D7/629
D500,227 S * 12/2004 Seok D7/392.1

D514,811 S * 2/2006 Koo D3/323
D610,879 S * 3/2010 Kim D7/629
D651,477 S 1/2012 Nie
D660,092 S * 5/2012 Kyung D7/629
D660,094 S * 5/2012 Kyung D7/629
D675,057 S * 1/2013 Harvey D7/391
D696,075 S * 12/2013 Mashike D7/605
D722,832 S * 2/2015 Ra D7/602
D803,631 S * 11/2017 Min D7/605
D828,717 S 9/2018 Zhang
D861,416 S * 10/2019 Zhang D7/392.1
2004/0084464 A1 * 5/2004 Koo B65D 43/0218
220/784
2014/0261381 A1 * 9/2014 Ra A47J 36/2405
126/263.05

* cited by examiner

Primary Examiner — Ricky Pham

(74) *Attorney, Agent, or Firm* — Jeanette Meng Nakagawa

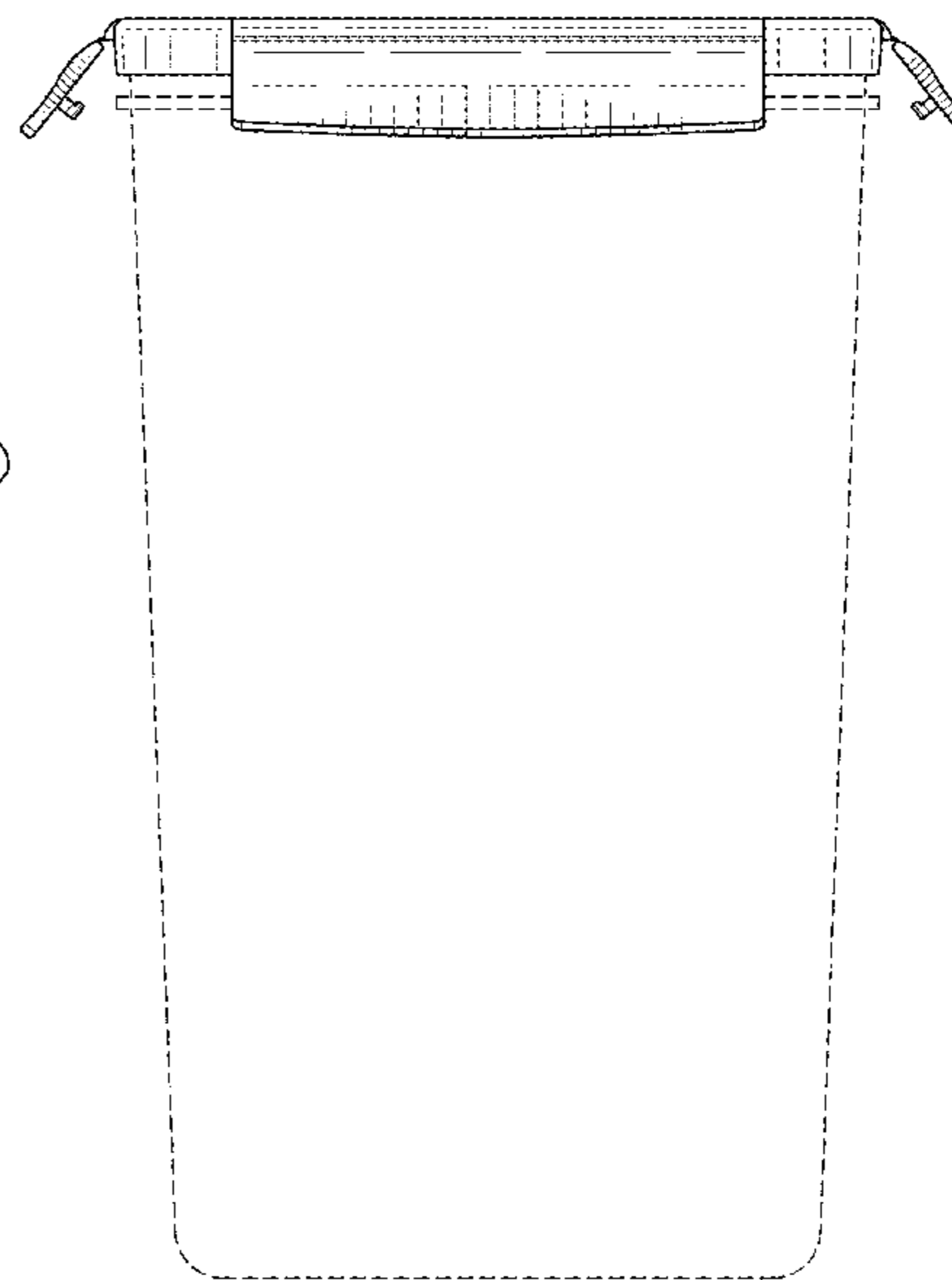
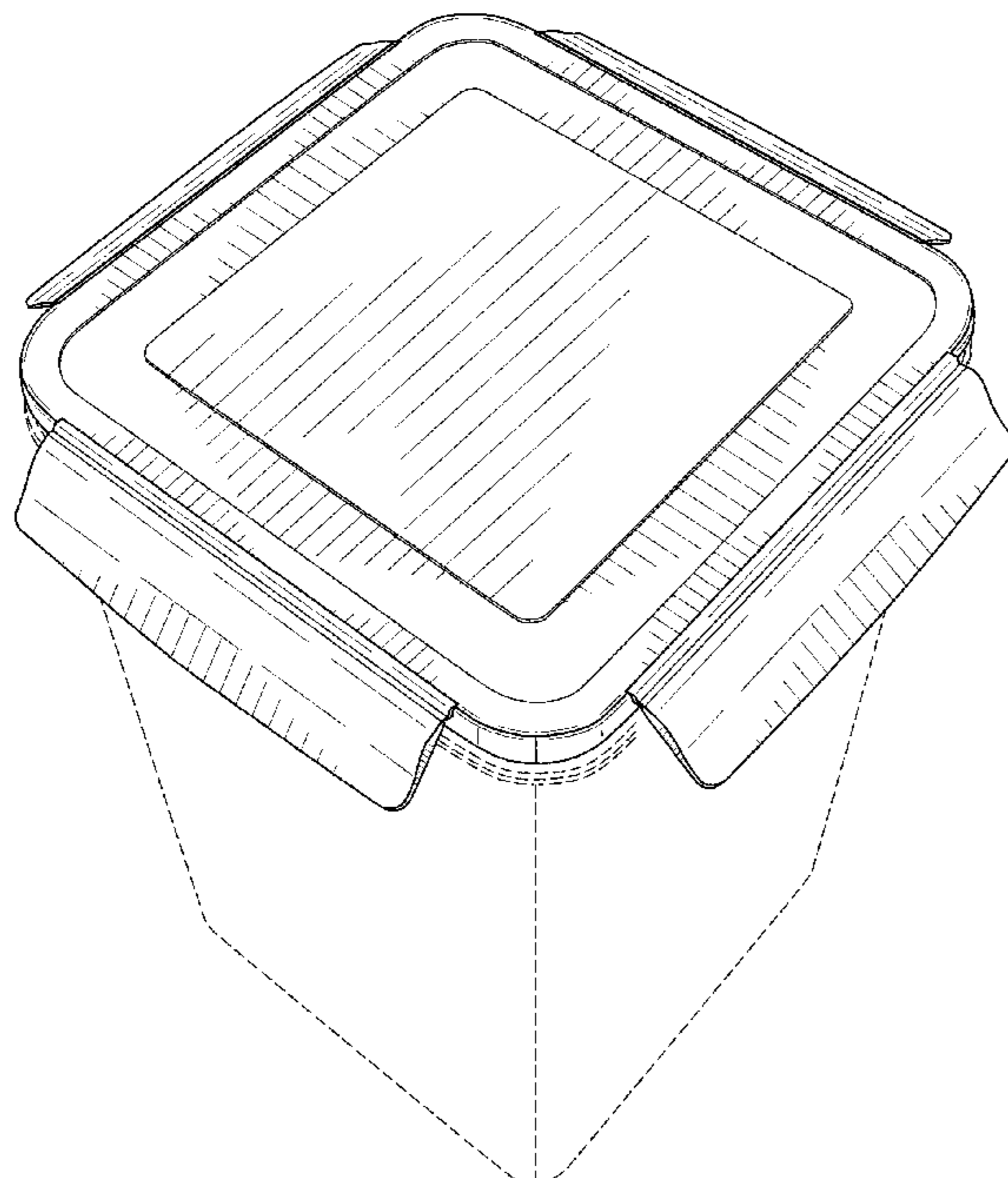
(57) **CLAIM**

The ornamental design for a lid, as shown and described.

DESCRIPTION

FIG. 1 is a front perspective view from above of a lid over a container showing my new design;
FIG. 2 is a right side view thereof, identical to a left side, a front, and a back view;
FIG. 3 is a top view thereof;
FIG. 4 is a bottom view thereof;
FIG. 5 is a perspective view from above with a right side flap in a locked position; and,
FIG. 6 is a bottom view of the lid without the container.
Broken lines in FIGS. 1, 2, 4, and 5 are for the purpose of illustrating the lid in use, and form no part of the claimed design.

1 Claim, 6 Drawing Sheets



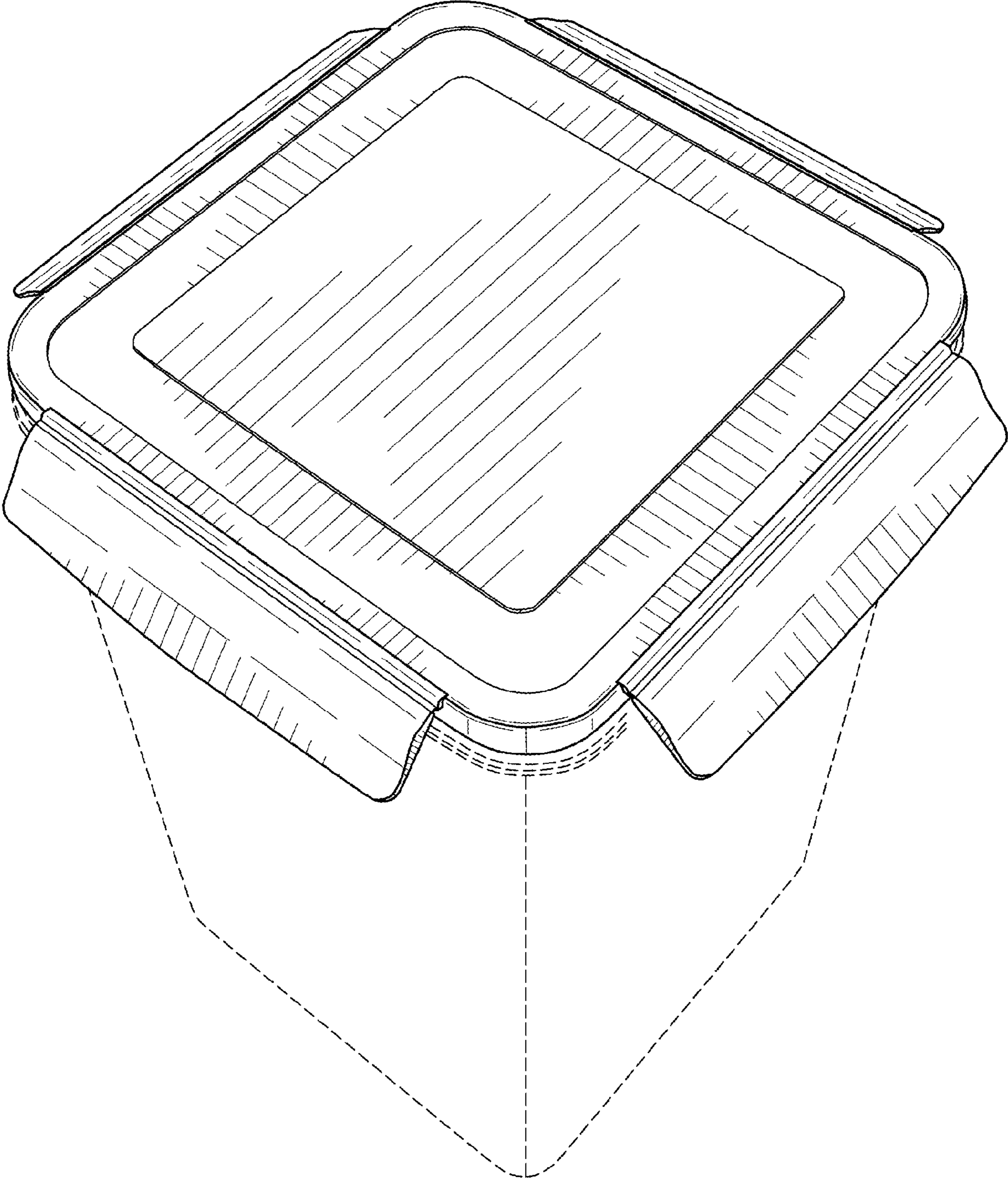


FIG. 1

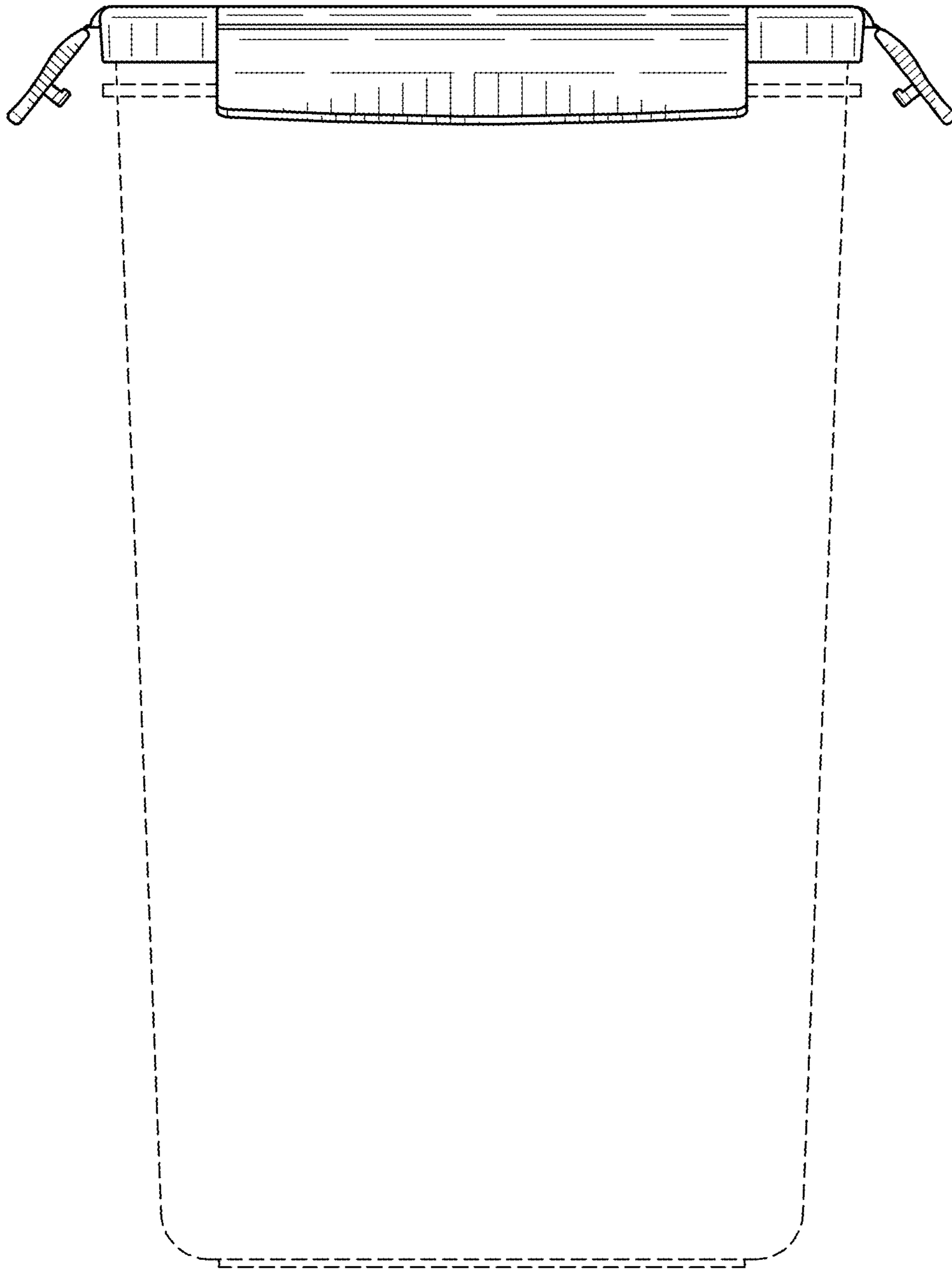


FIG. 2

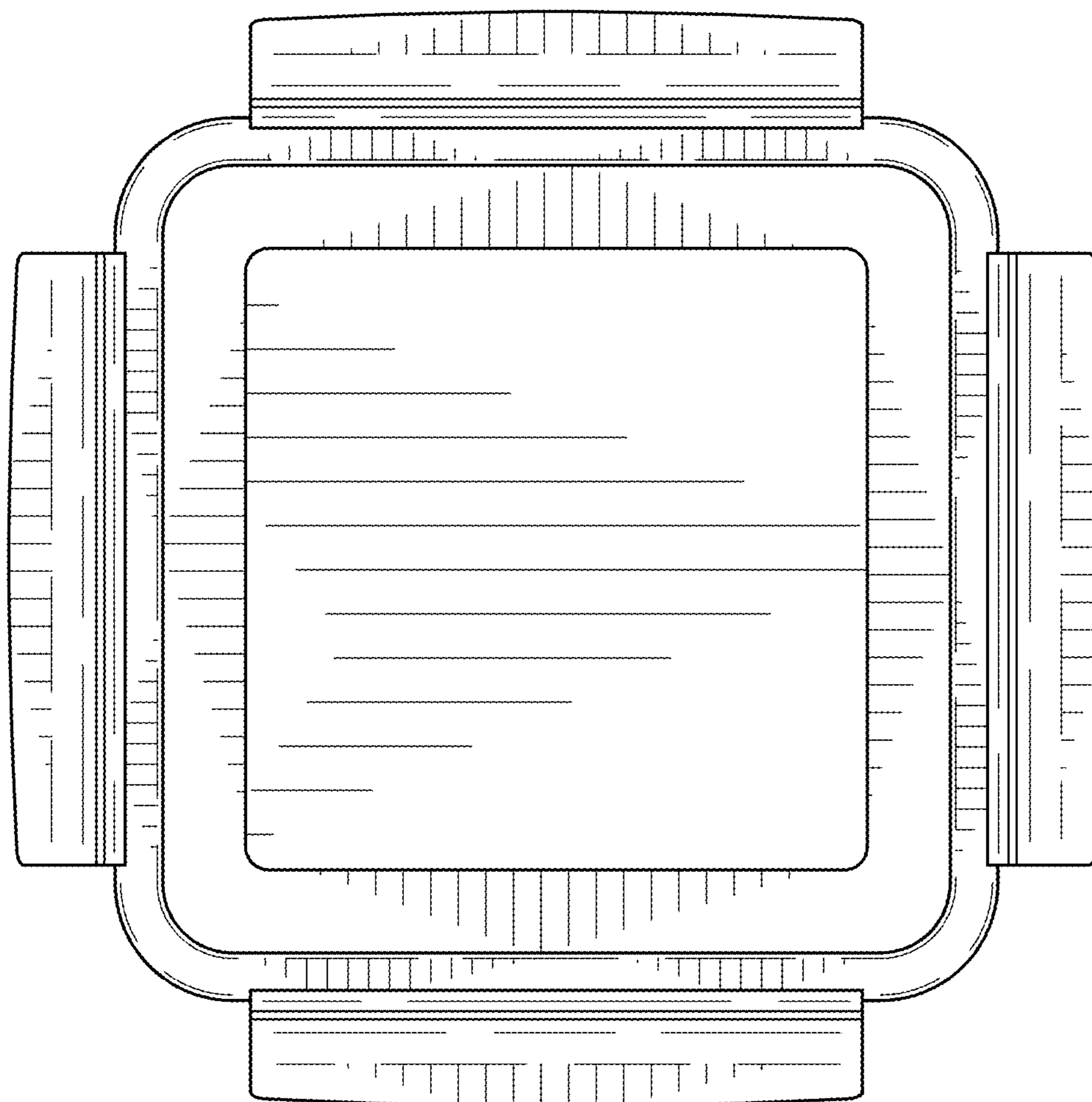


FIG. 3

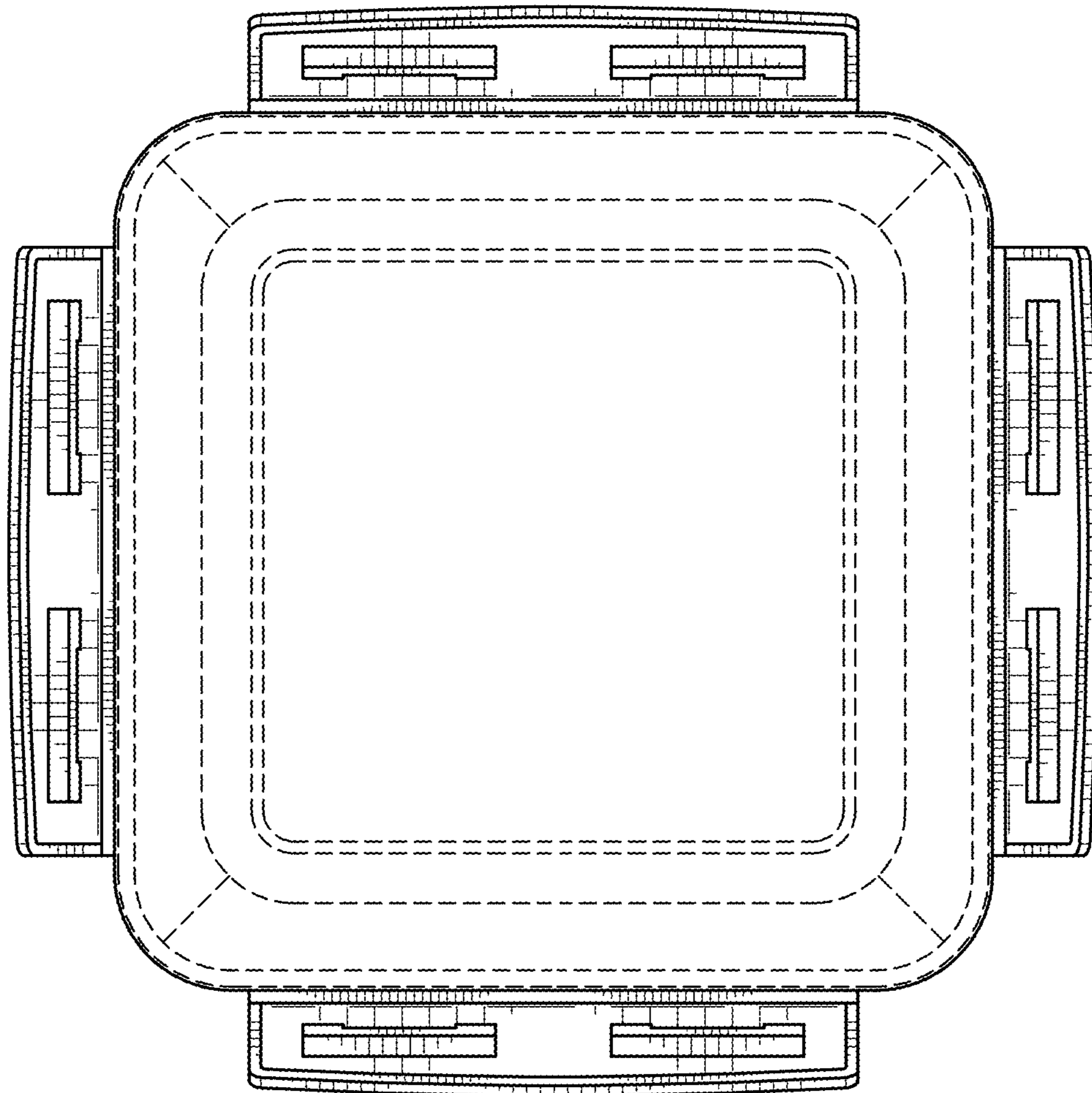


FIG. 4

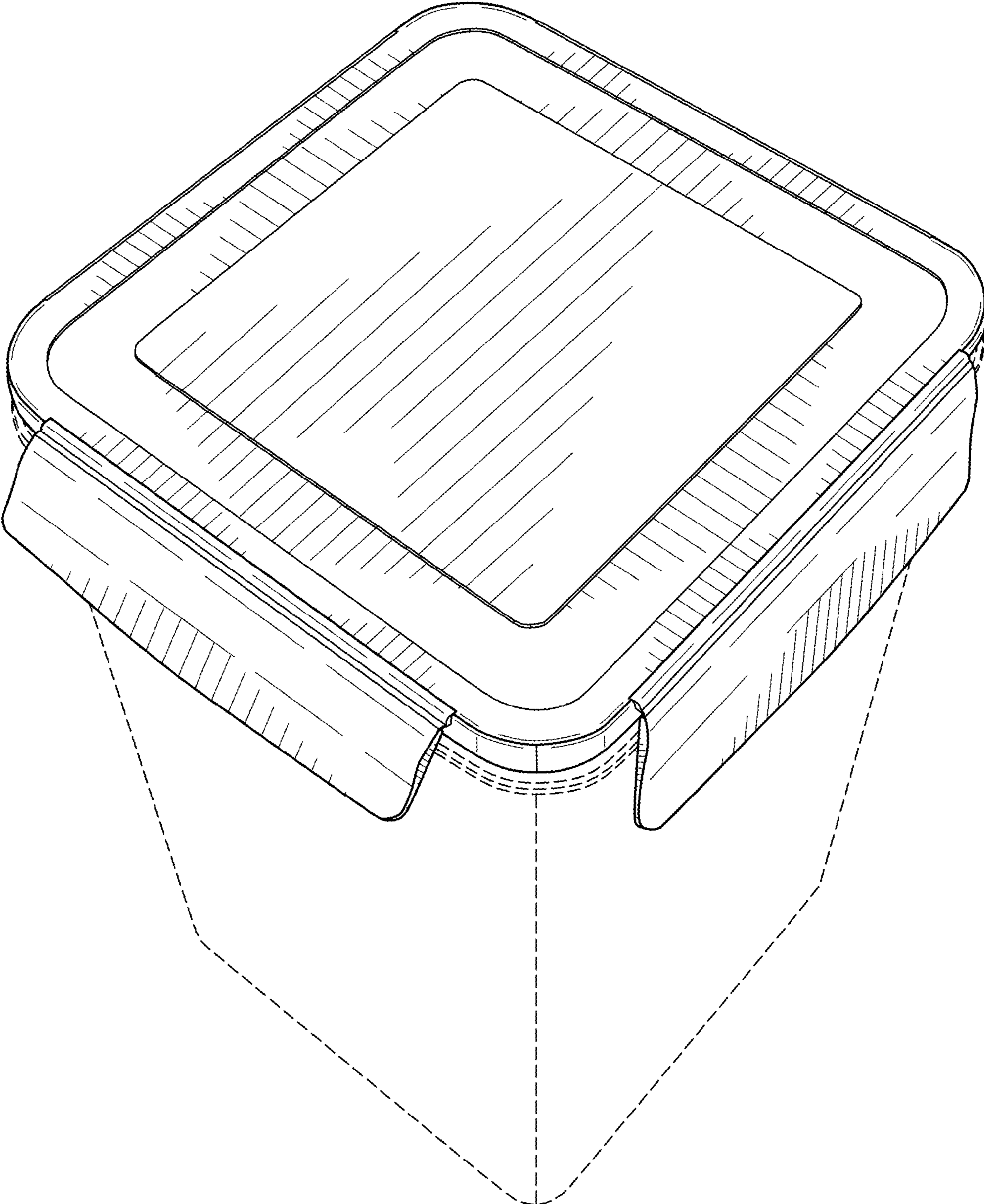


FIG. 5

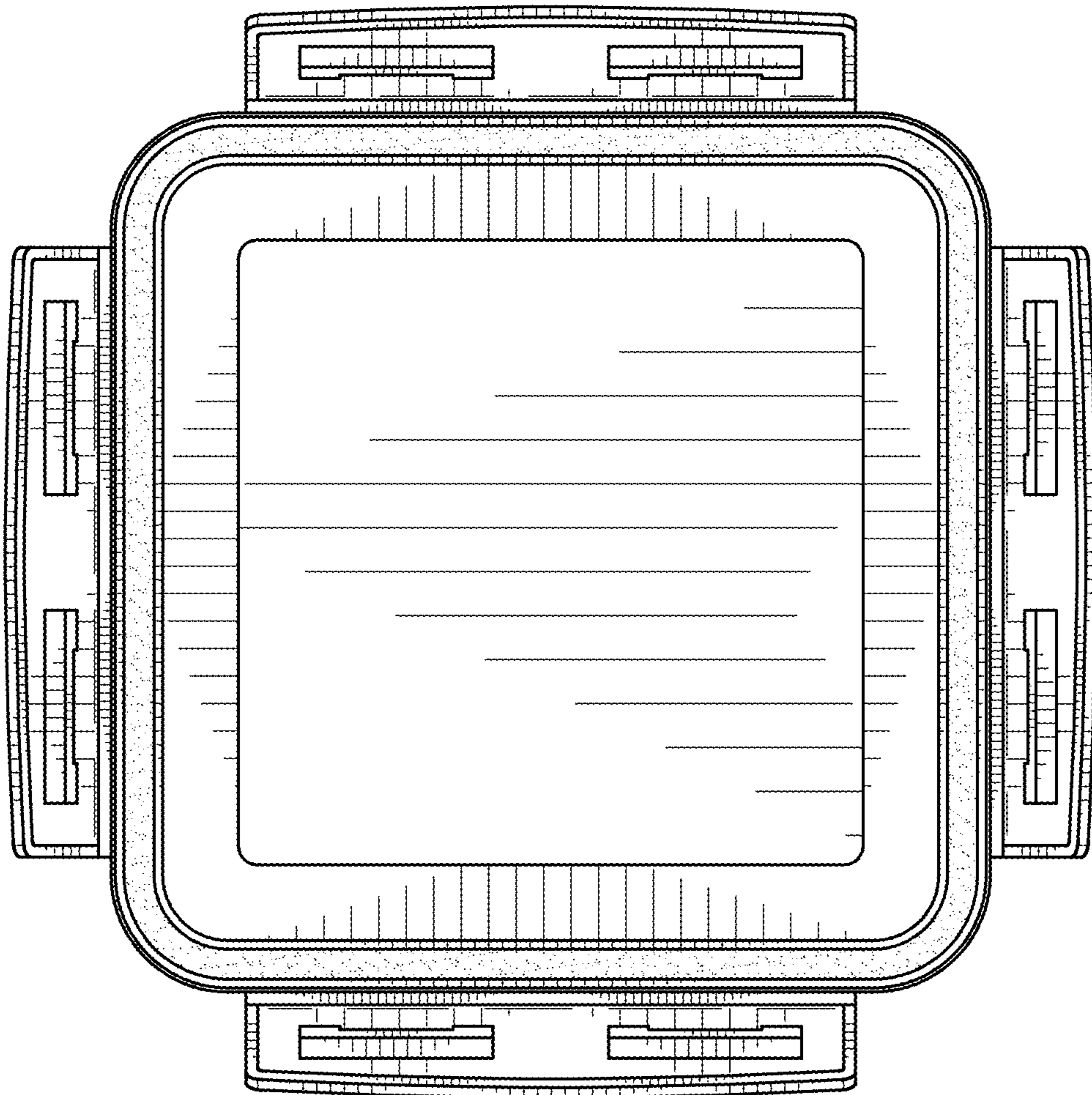


FIG. 6