



US00D875464S

(12) **United States Design Patent** (10) **Patent No.:** **US D875,464 S**
Wong (45) **Date of Patent:** **** Feb. 18, 2020**

(54) **CHOPPER**

(71) Applicant: **Yan Kwong Wong**, Hong Kong (CN)

(72) Inventor: **Yan Kwong Wong**, Hong Kong (CN)

(**) Term: **15 Years**

(21) Appl. No.: **29/669,192**

(22) Filed: **Nov. 6, 2018**

Related U.S. Application Data

(62) Division of application No. 29/612,283, filed on Jul. 31, 2017, now Pat. No. Des. 843,796.

(51) **LOC (12) Cl.** **07-04**

(52) **U.S. Cl.**
USPC **D7/372**; D7/679; D7/693

(58) **Field of Classification Search**
USPC D7/372, 373, 679, 693, 368, 669, 412,
D7/673, 381

CPC A47J 43/07; A47J 43/04; A47J 43/044;
A47J 43/0722; A47J 43/26; A47J
43/1024; A47J 43/1068; A47J 42/00;
A47J 42/04; A47J 42/14; A47J 42/24;
A47J 42/34; A47J 19/04; B02C 18/16;
B02C 18/00; B26D 2003/287; B26D
2003/288; B26D 3/18; B26D 3/185;
B26D 3/26; B26D 3/20; B26D 3/22

See application file for complete search history.

(56) **References Cited**

U.S. PATENT DOCUMENTS

D527,588	S	*	9/2006	de Groote	D7/629
D530,995	S		10/2006	Jalet et al.		
D549,530	S	*	8/2007	Bodum	D7/693
7,422,169	B2	*	9/2008	Mueller	A47J 43/1068 241/168
D630,912	S	*	1/2011	Wong	D7/679
D673,006	S	*	12/2012	Kent	D7/372
2009/0045274	A1	*	2/2009	So	A47J 43/044 241/169.1

* cited by examiner

Primary Examiner — Terry A Wallace

(74) *Attorney, Agent, or Firm* — Muncy, Geissler, Olds & Lowe, P.C.

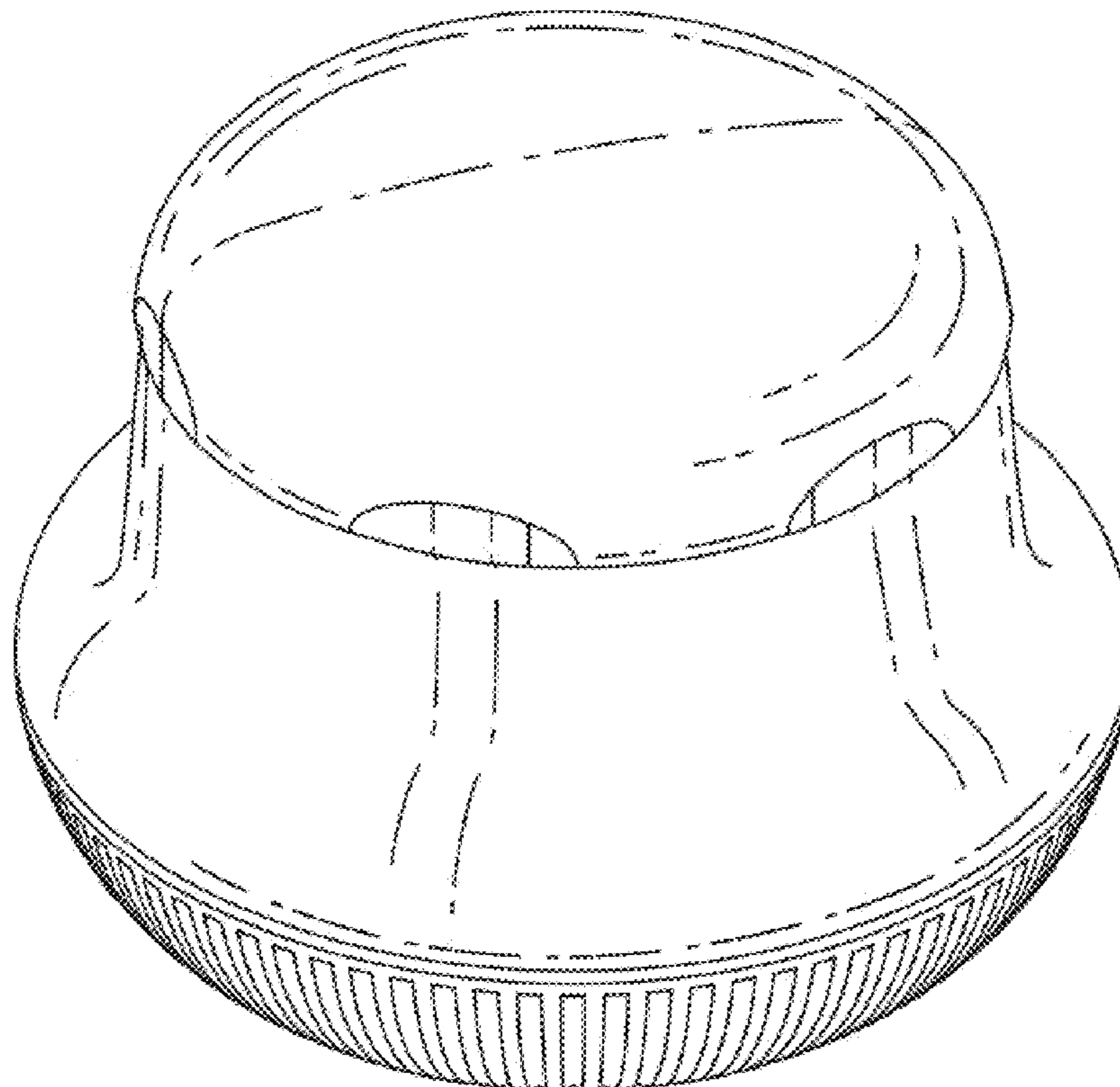
(57) **CLAIM**

The ornamental design for a chopper, as shown and described.

DESCRIPTION

FIG. 1 is a top perspective view of a chopper showing my new design;
FIG. 2 is a bottom perspective view thereof;
FIG. 3 is a front elevational view thereof;
FIG. 4 is a rear elevational view thereof;
FIG. 5 is a left side view thereof;
FIG. 6 is a right side view thereof;
FIG. 7 is a top plan view thereof; and,
FIG. 8 is a bottom plan view thereof.

1 Claim, 8 Drawing Sheets



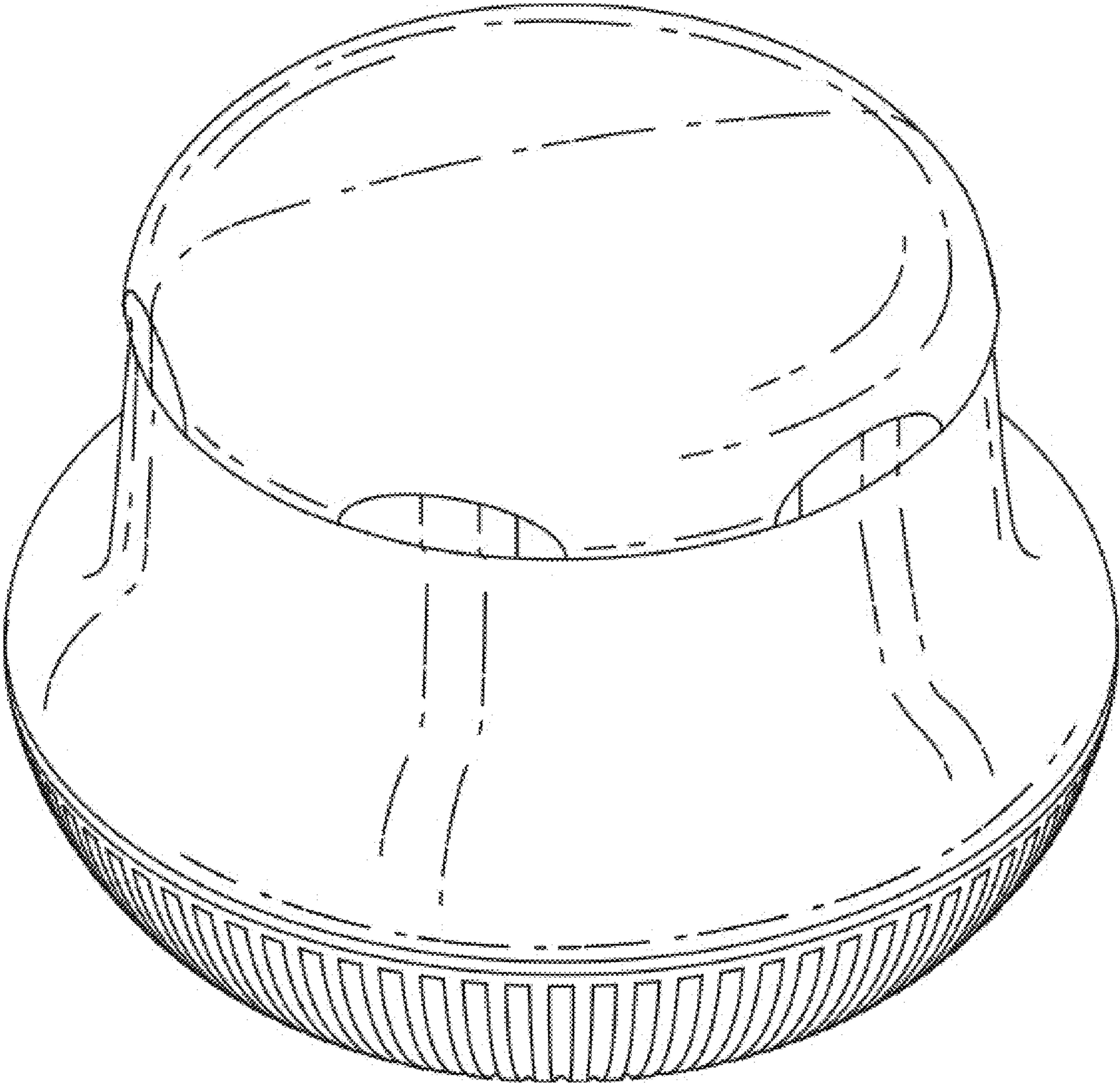


FIG. 1

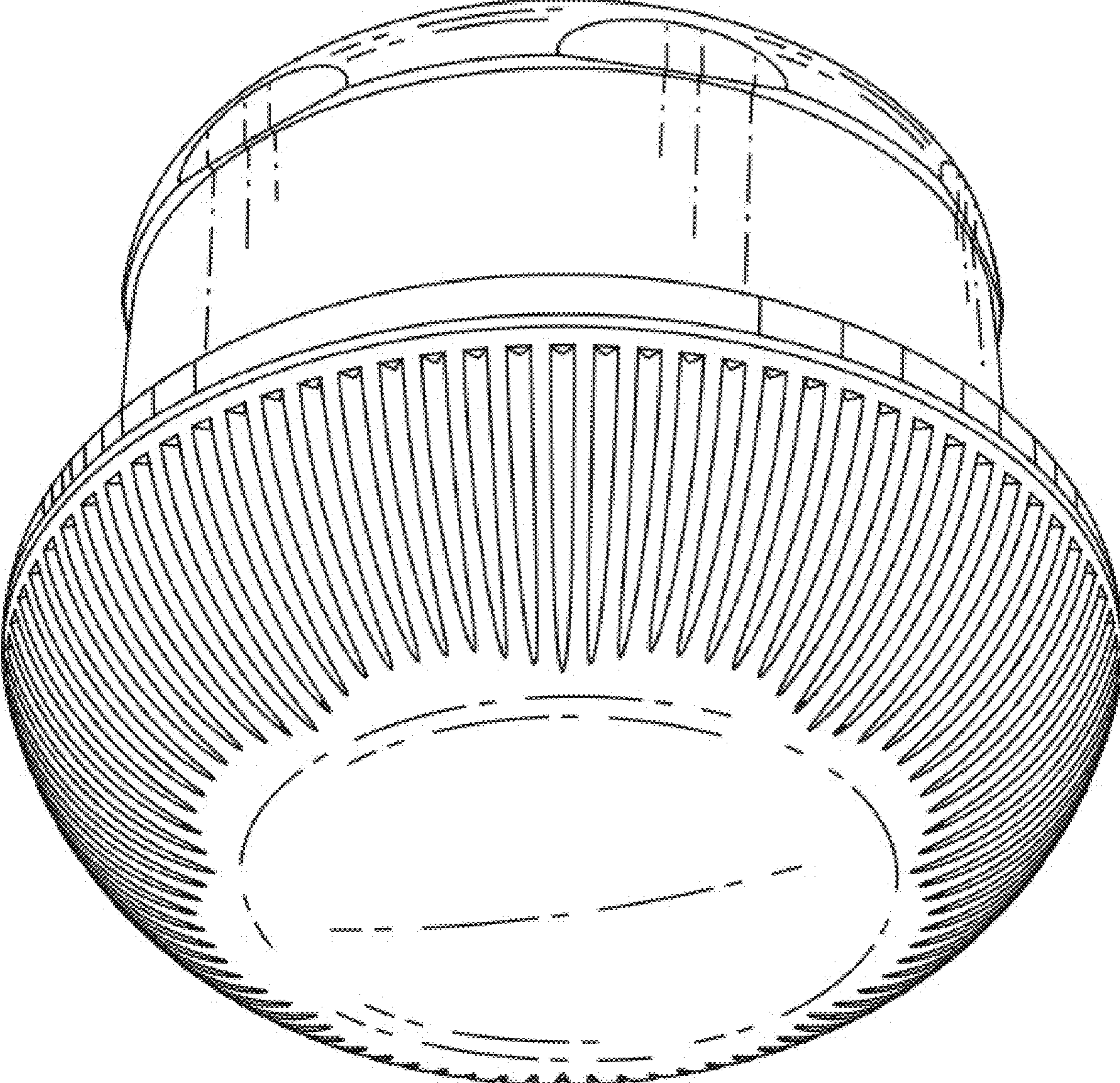


FIG. 2

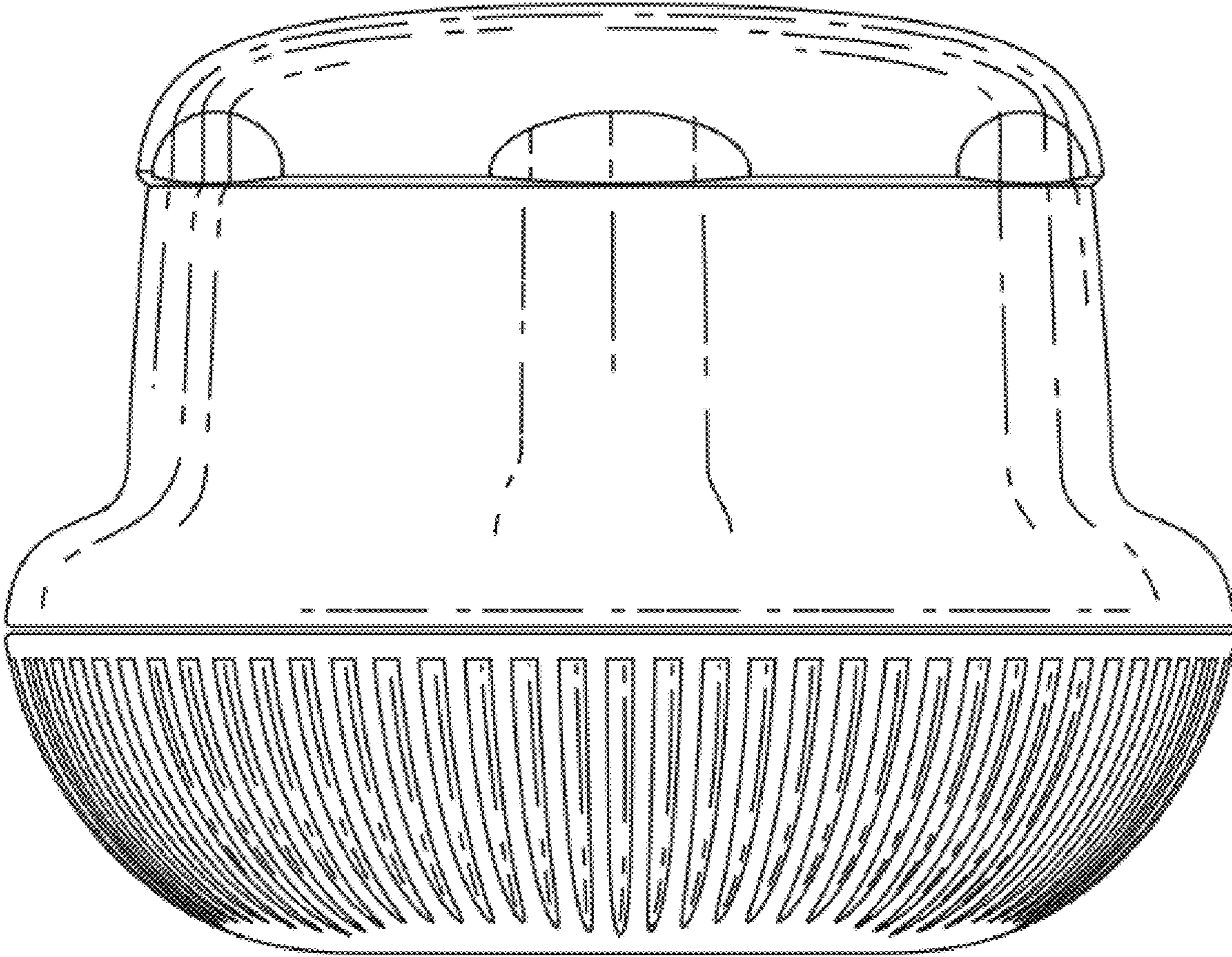


FIG. 3

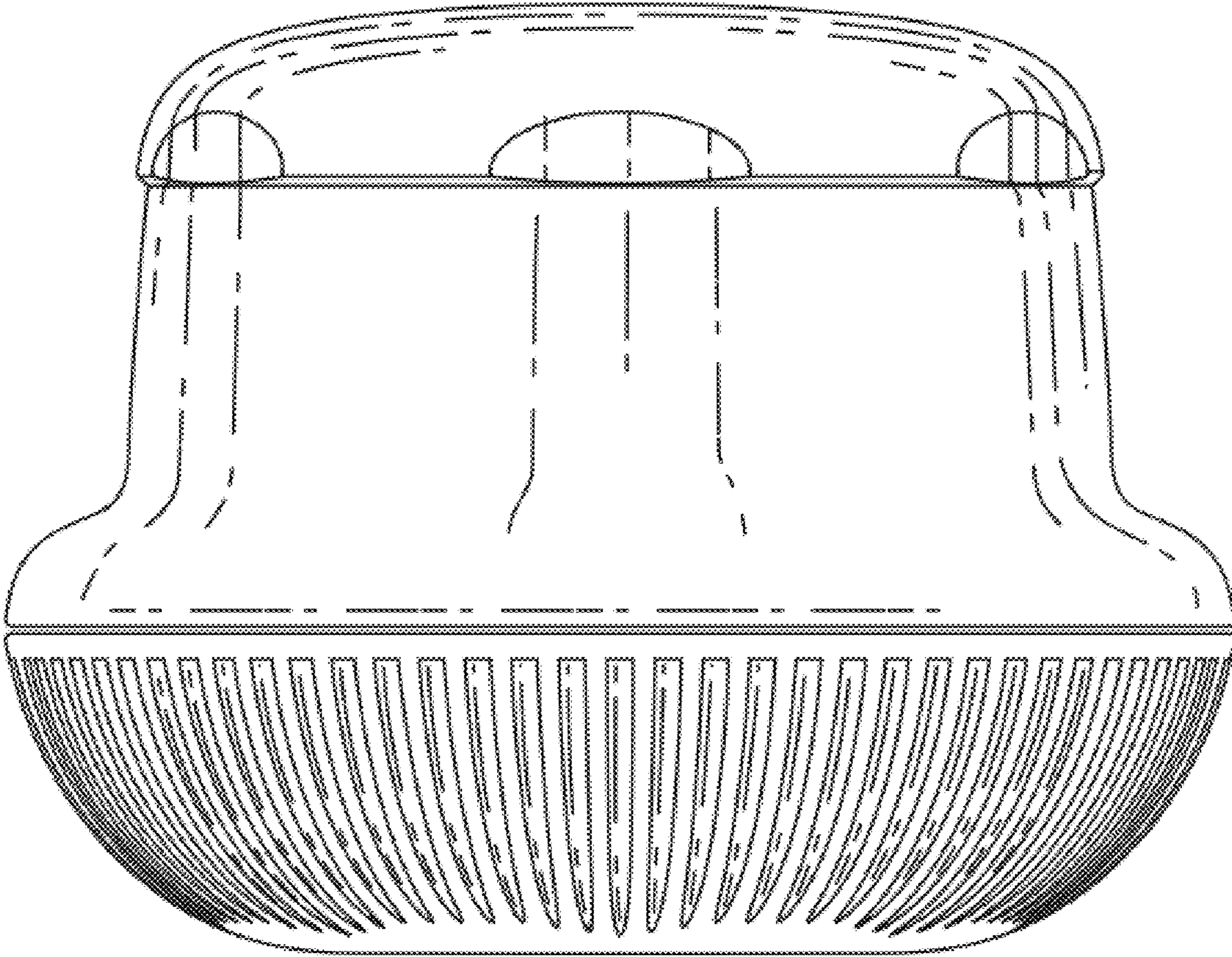


FIG. 4

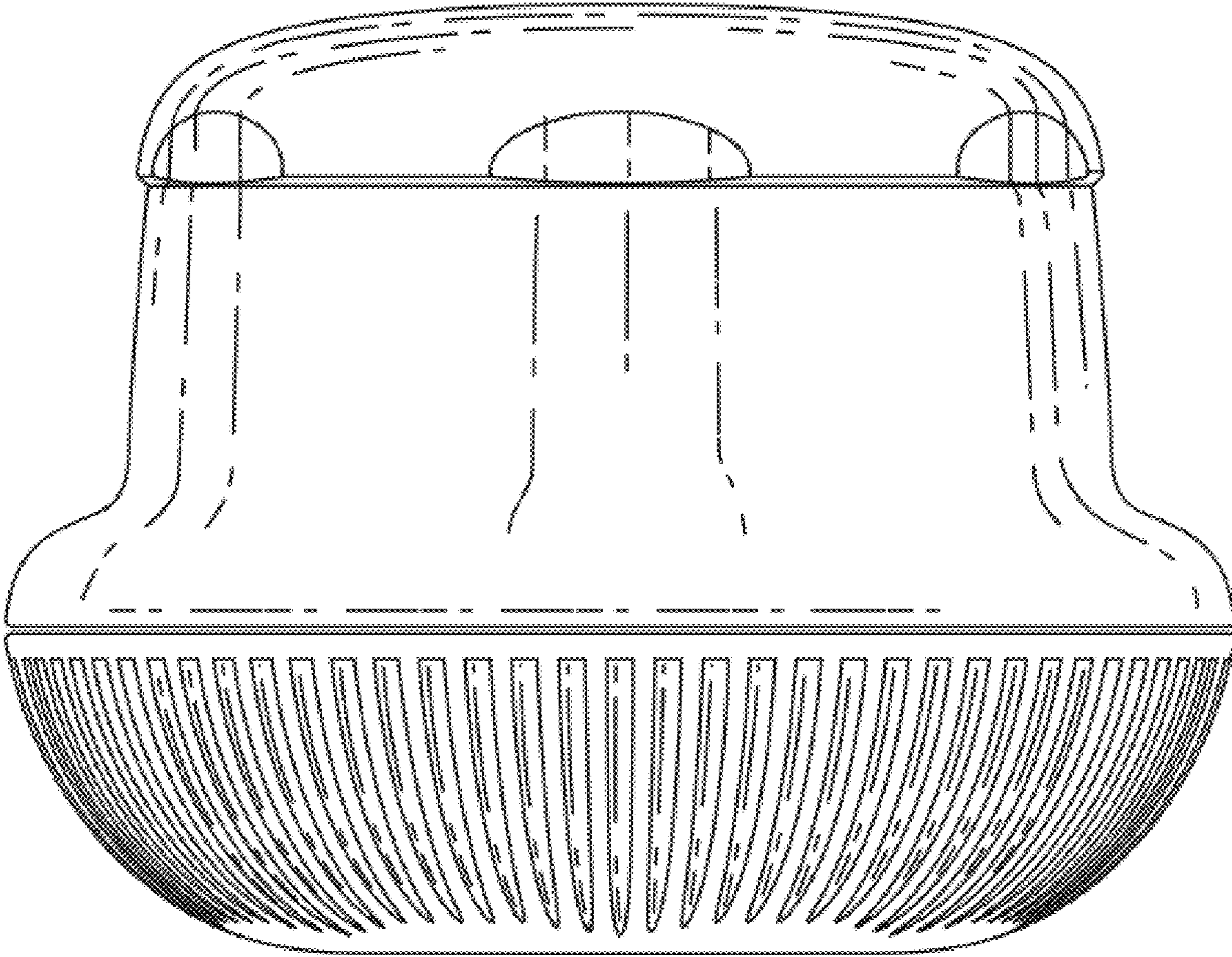


FIG. 5

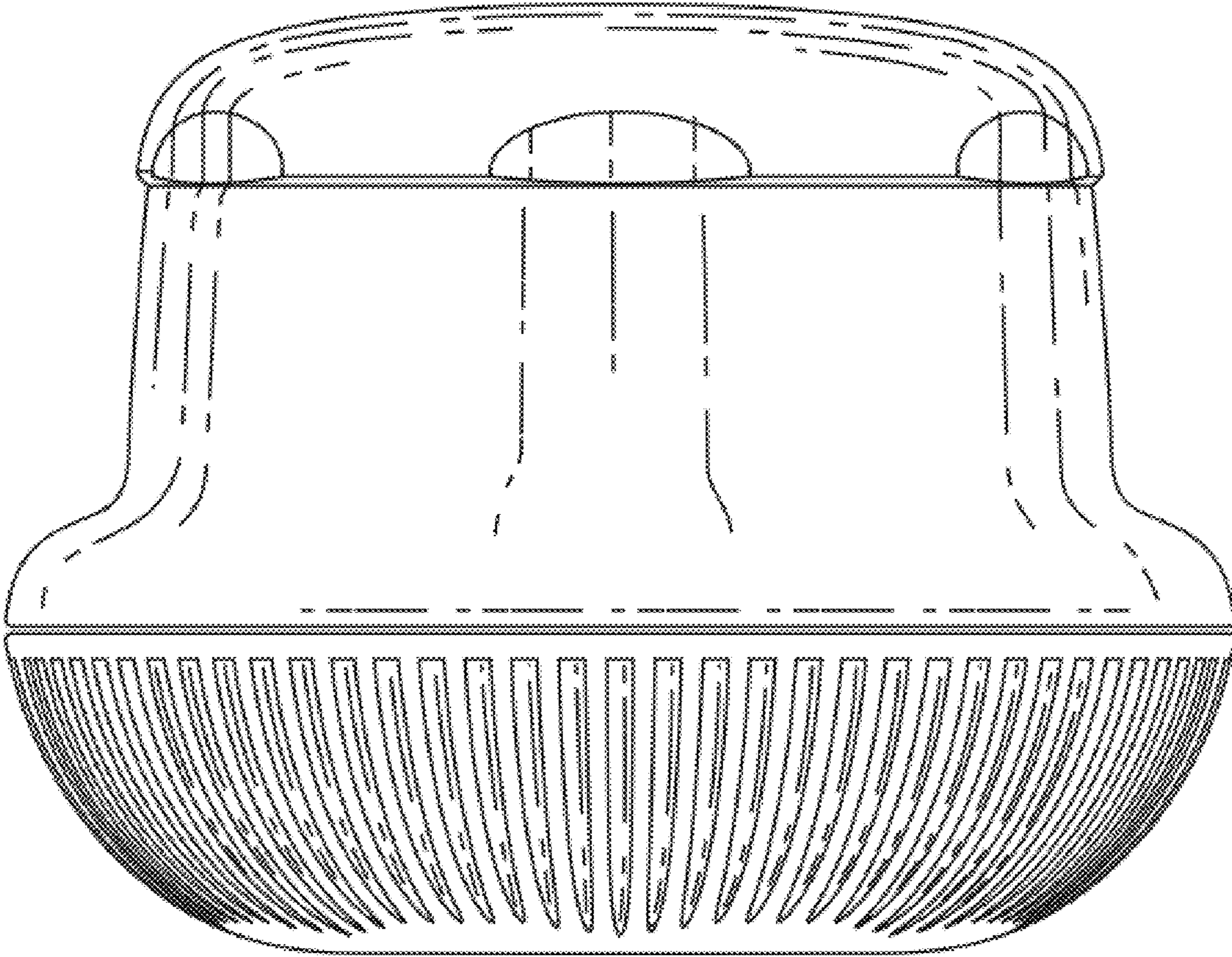


FIG. 6

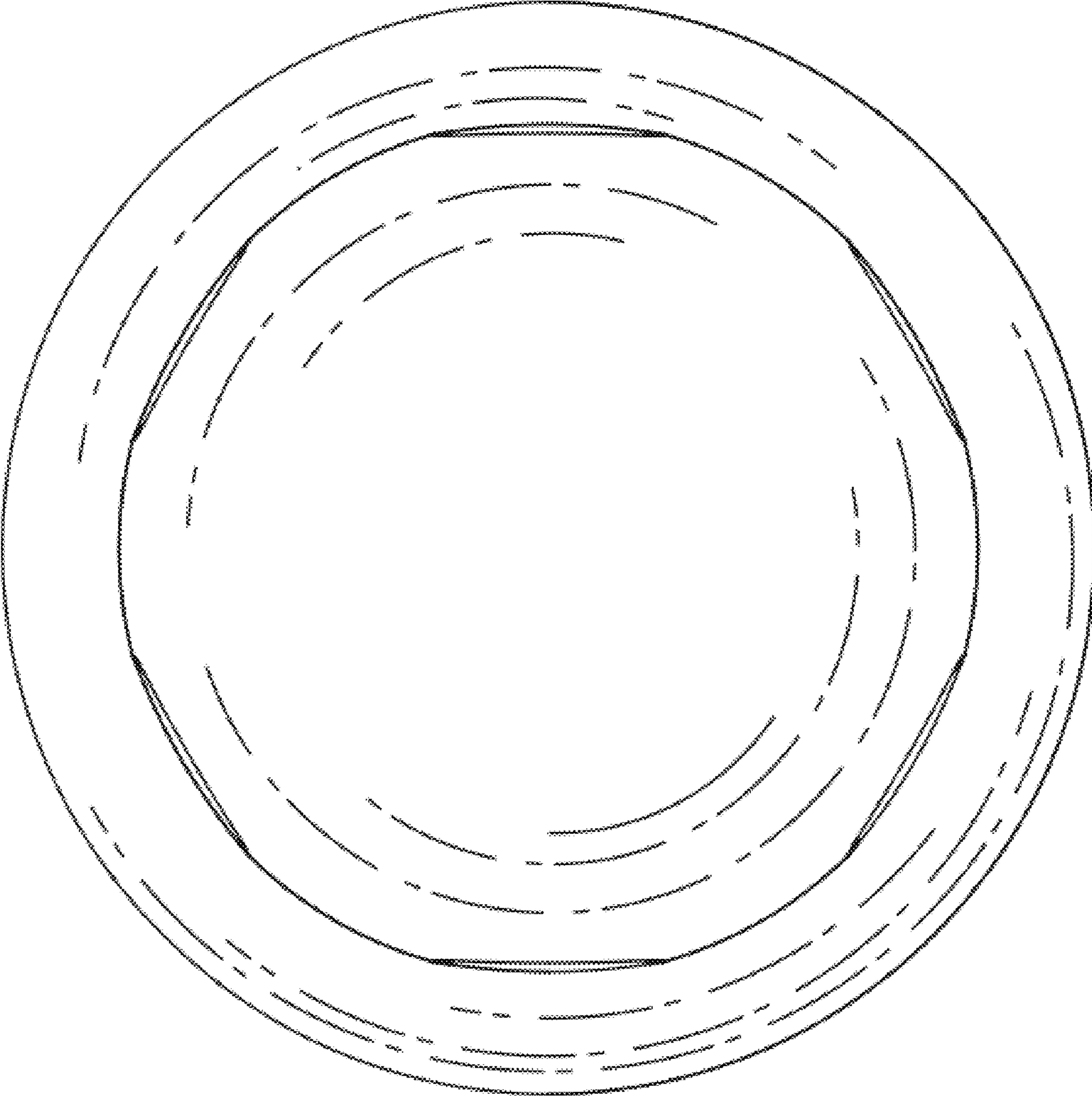


FIG. 7

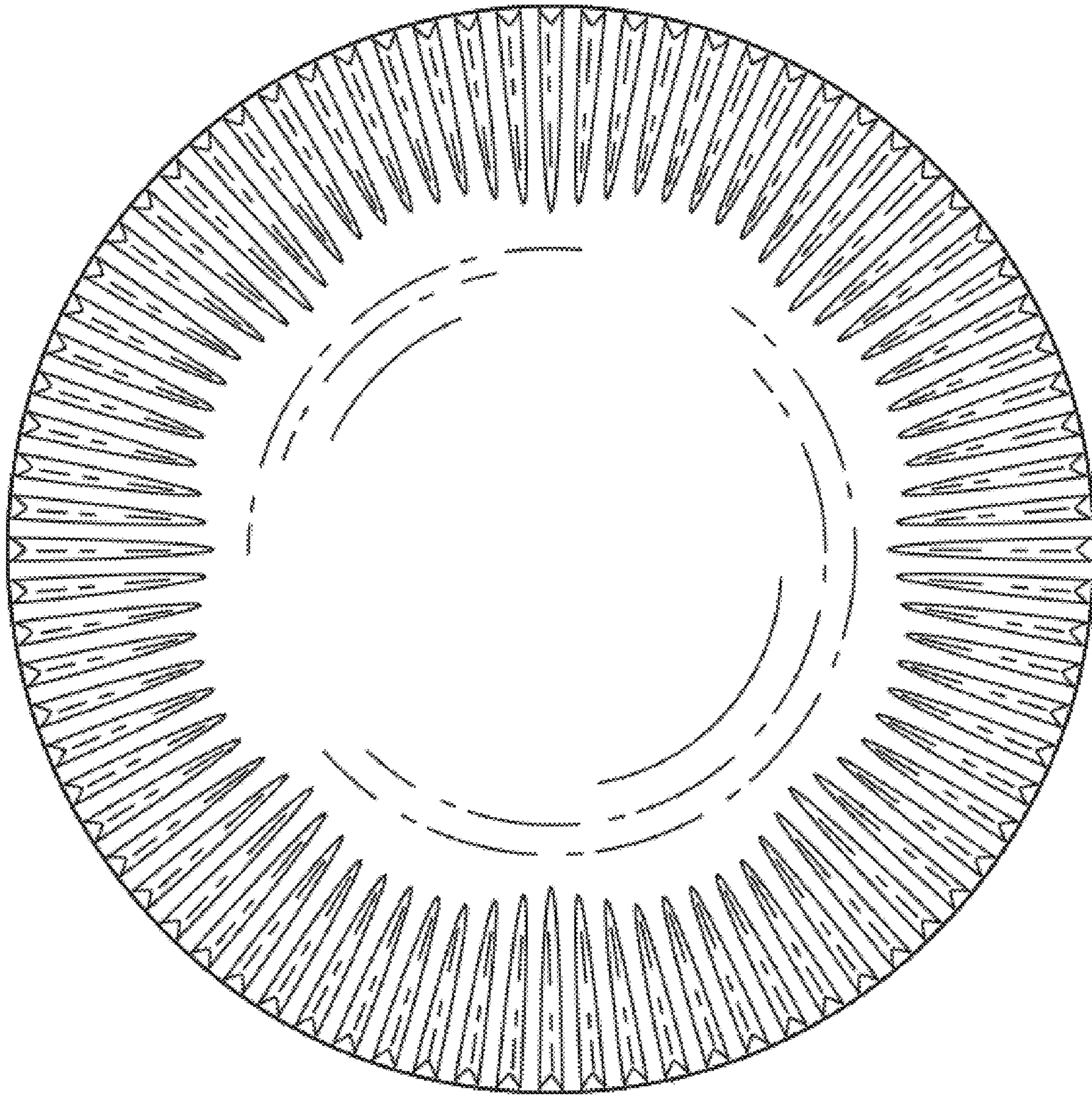


FIG. 8