



US00D875459S

(12) **United States Design Patent** (10) **Patent No.:** **US D875,459 S**
Kowalewski et al. (45) **Date of Patent:** **** Feb. 18, 2020**

(54) **BASKET FOR AIR FRYER**

(56) **References Cited**

(71) Applicant: **KONINKLIJKE PHILIPS N.V.**,
Eindhoven (NL)
(72) Inventors: **Andreas Kowalewski**, Eindhoven (NL);
Mingshuo Zhang, Eindhoven (NL)
(73) Assignee: **KONINKLIJKE PHILIPS N.V.**,
Eindhoven (NL)
(**) Term: **15 Years**
(21) Appl. No.: **29/627,646**
(22) Filed: **Nov. 29, 2017**

U.S. PATENT DOCUMENTS

D230,556	S	*	3/1974	Mallonn	D7/391
4,337,950	A	*	7/1982	Gidge	A63F 9/0278
						473/588
D420,285	S	*	2/2000	Sagan	D9/428
D509,259	S	*	9/2005	Dennis	D21/444
D562,134	S	*	2/2008	Studee	D9/452
D586,612	S	*	2/2009	Rae	D7/354
D704,553	S	*	5/2014	Cassens	D9/434
D710,647	S	*	8/2014	Mandil	D7/354
D821,140	S	*	6/2018	Mirchandani	D7/409
D826,638	S	*	8/2018	Zhang	D7/409
D829,486	S	*	10/2018	Mirchandani	D7/354
D830,174	S	*	10/2018	Takezawa	D9/450
2010/0206884	A1	*	8/2010	Tunstall	A47J 27/022
						220/573.1

(30) **Foreign Application Priority Data**

May 31, 2017 (EM) 004024883-0007

(51) **LOC (12) Cl.** **07-02**

(52) **U.S. Cl.**
USPC **D7/354**

(58) **Field of Classification Search**
USPC D7/323, 354-361, 391, 409; D9/429,
D9/434, 450, 452; D21/444
CPC A23L 1/01; A23L 1/0107; A23L 1/0114;
A47J 27/00; A47J 27/022; A47J 27/08;
A47J 27/09; A47J 27/092; A47J 36/025;
A47J 36/06; A47J 36/08; A47J 36/10;
A47J 36/12; A47J 36/165; A47J 36/18;
A47J 36/20; A47J 36/22; A47J 37/00;
A47J 37/12; A47J 37/1204; A47J
37/1209; A47J 37/1214; A47J 37/1219;
A47J 37/1266; A47J 37/1285; A47J
37/129; A47J 37/1295; A63F 9/0278;
G07F 17/0064; G07F 17/0078; G07F
17/0085; H05B 6/02; H05B 6/06; H05B
6/12

See application file for complete search history.

* cited by examiner

Primary Examiner — Ricky Pham

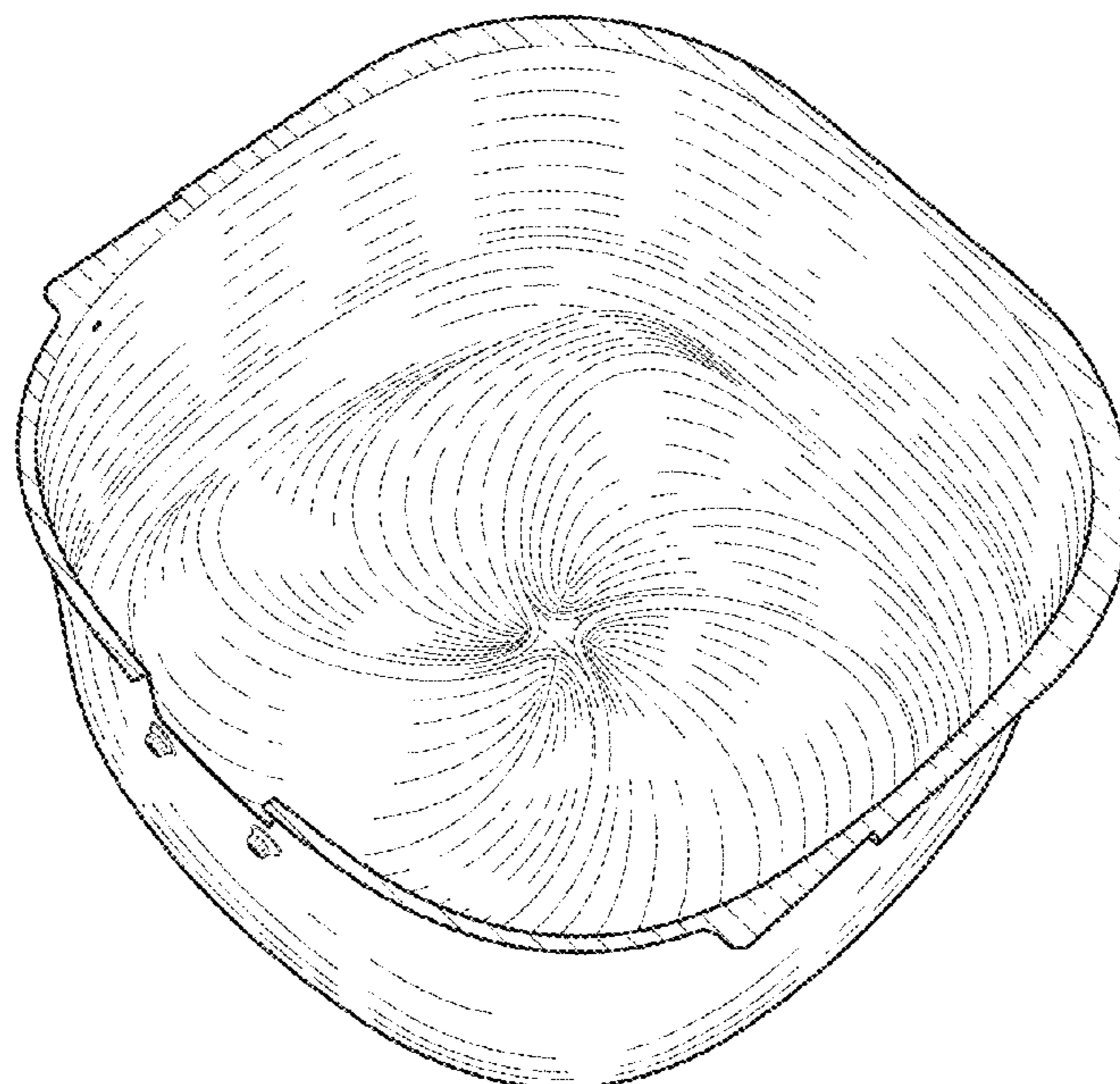
(57) **CLAIM**

The ornamental design for a basket for air fryer, as shown and described.

DESCRIPTION

FIG. 1 is a perspective view of a basket for air fryer showing our new design;
FIG. 2 is a front elevational view thereof;
FIG. 3 is a rear elevational view thereof;
FIG. 4 is a right side elevational view thereof;
FIG. 5 is a left side elevational view thereof; and,
FIG. 6 is a top plan view thereof.
The broken lines shown in the drawings are for the illustrative purposes only and form no part of the claimed design.

1 Claim, 4 Drawing Sheets



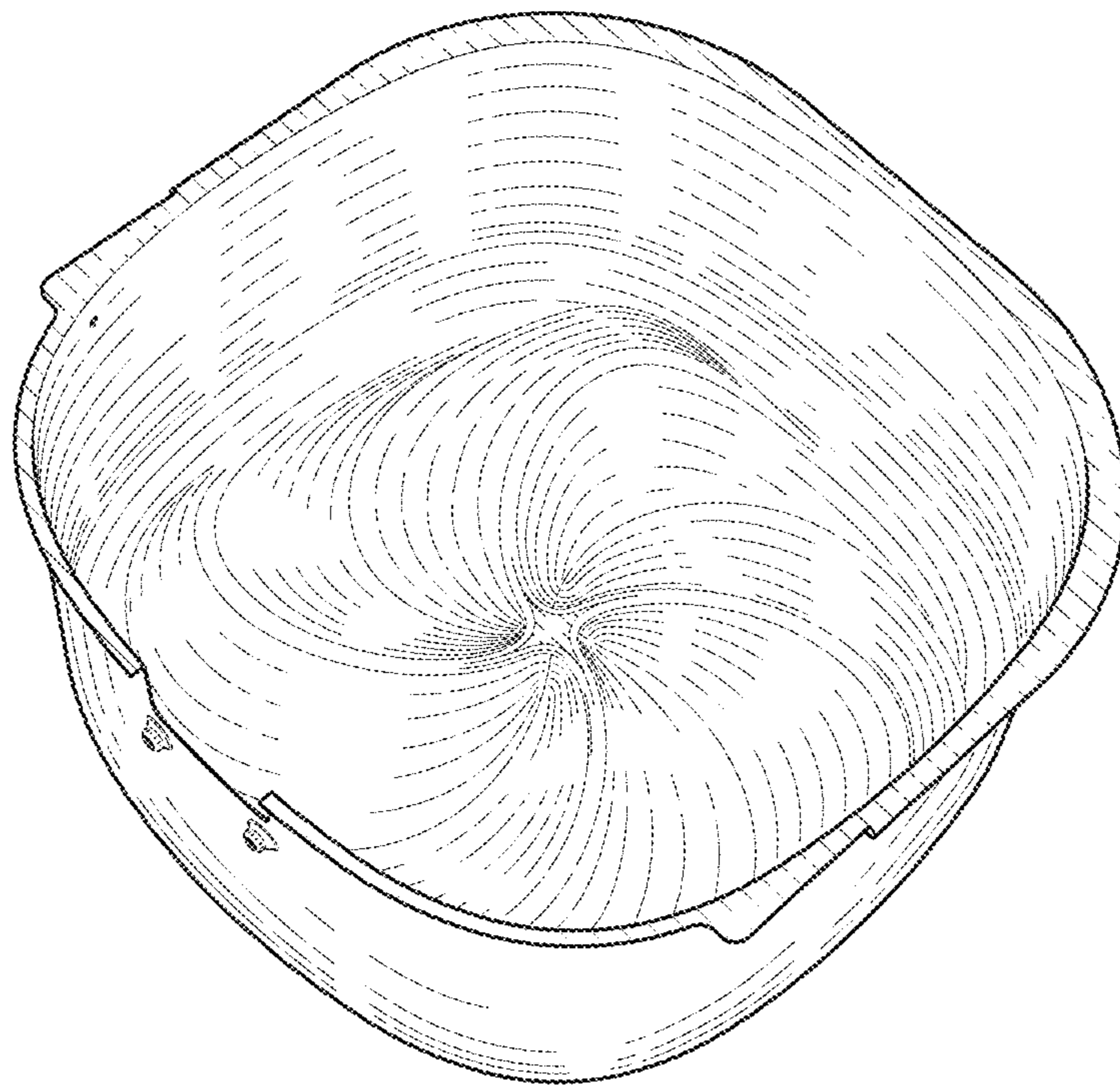


FIG. 1

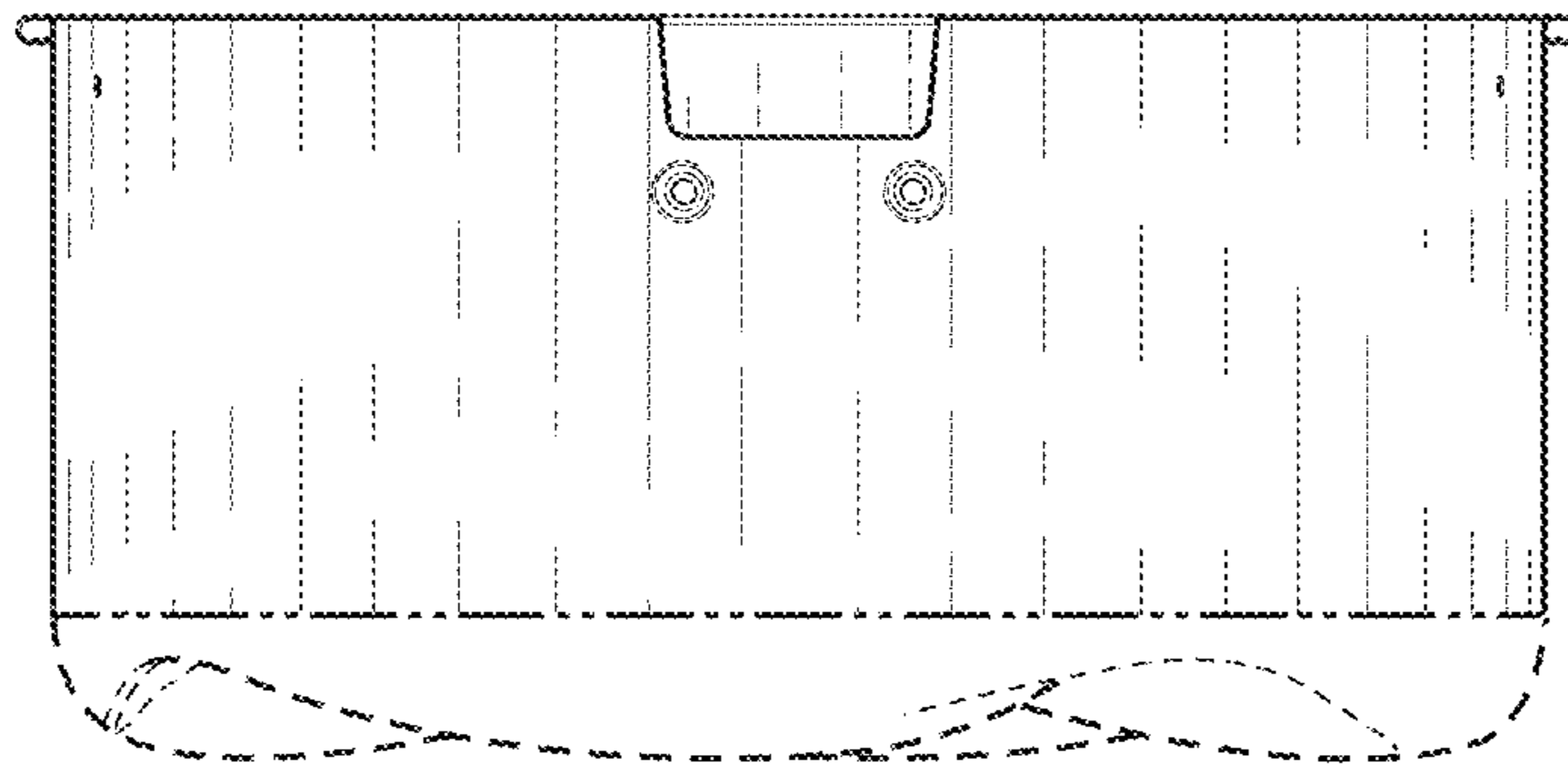


FIG. 2

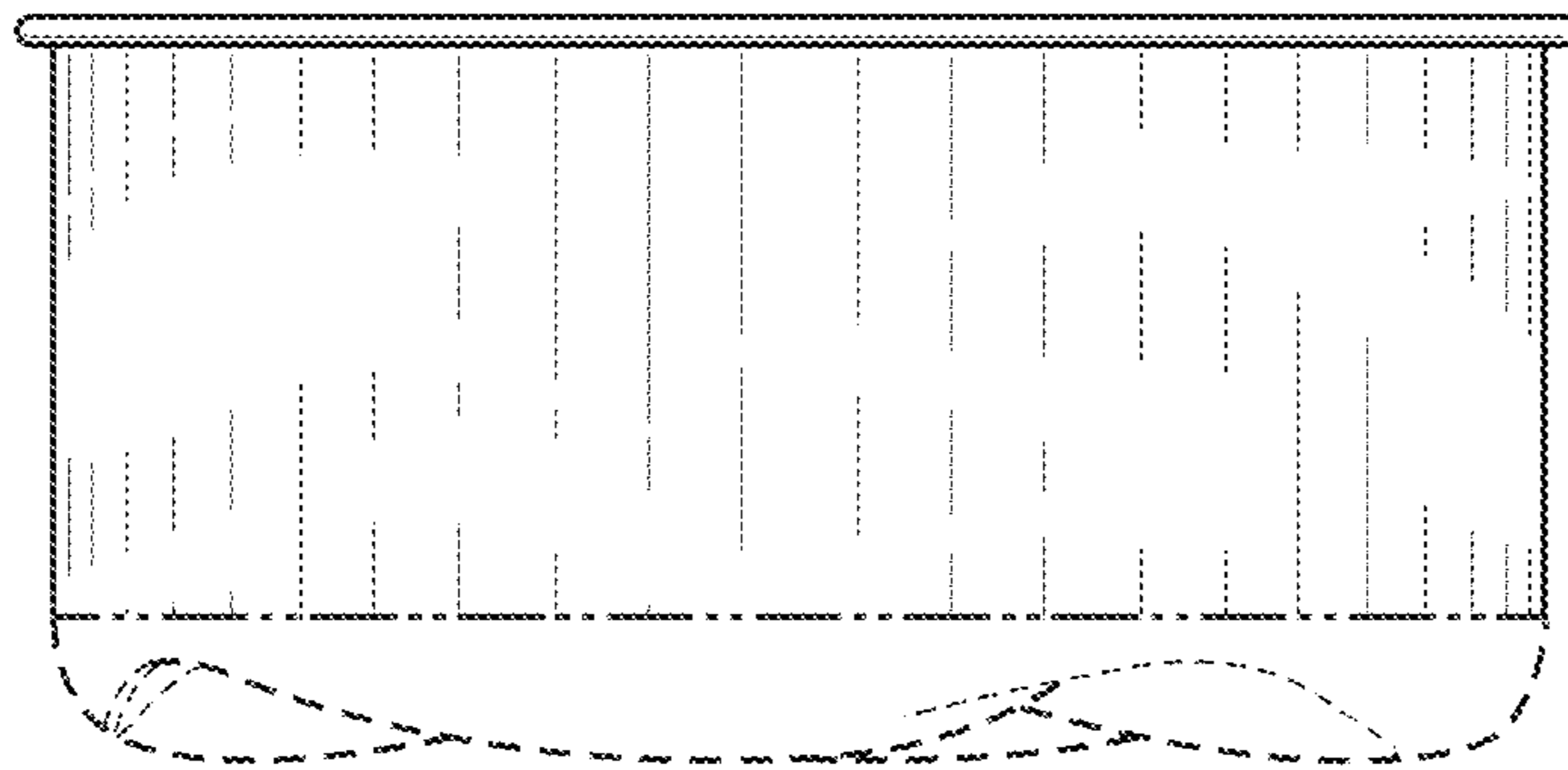


FIG. 3

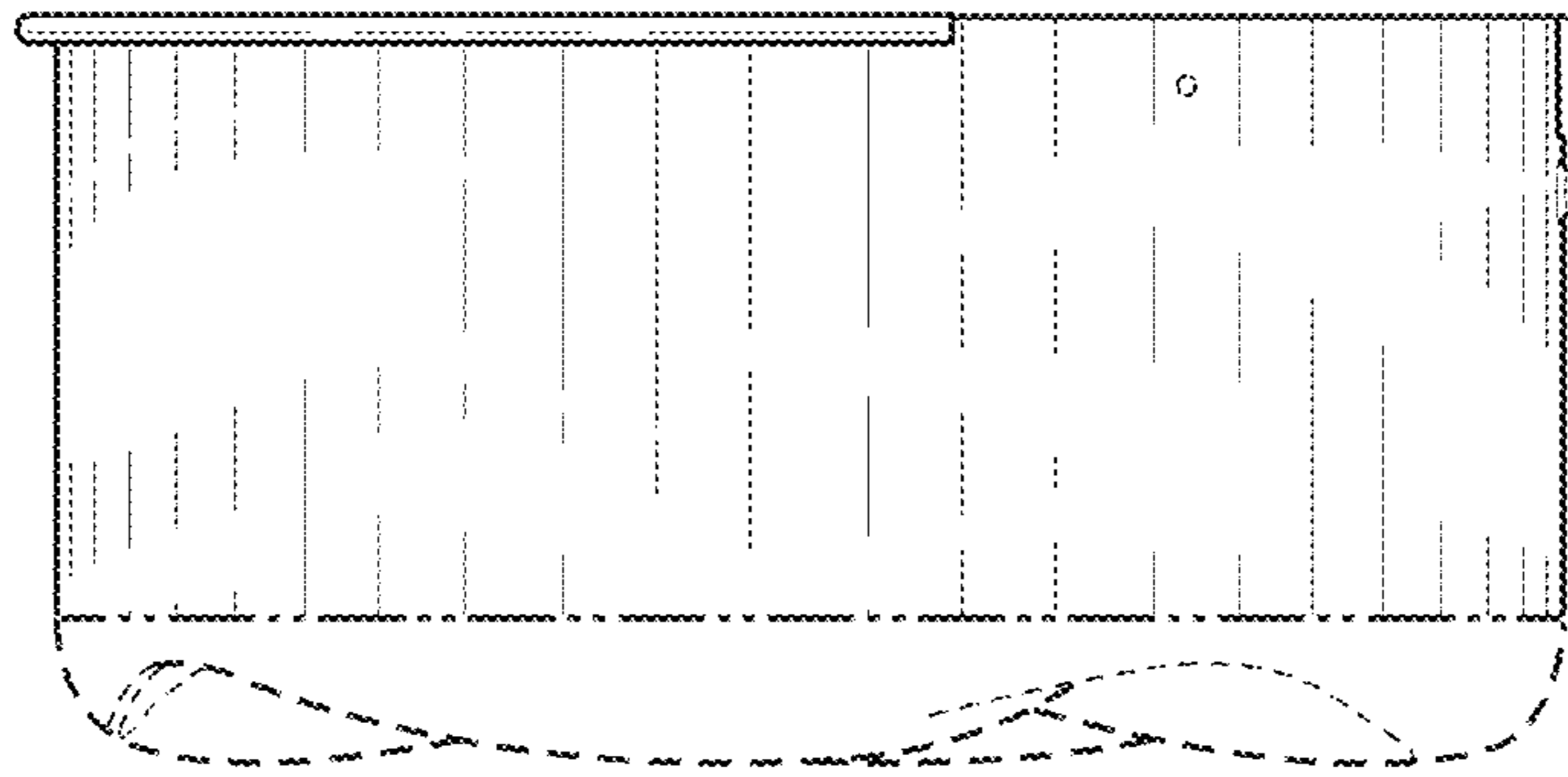


FIG. 4

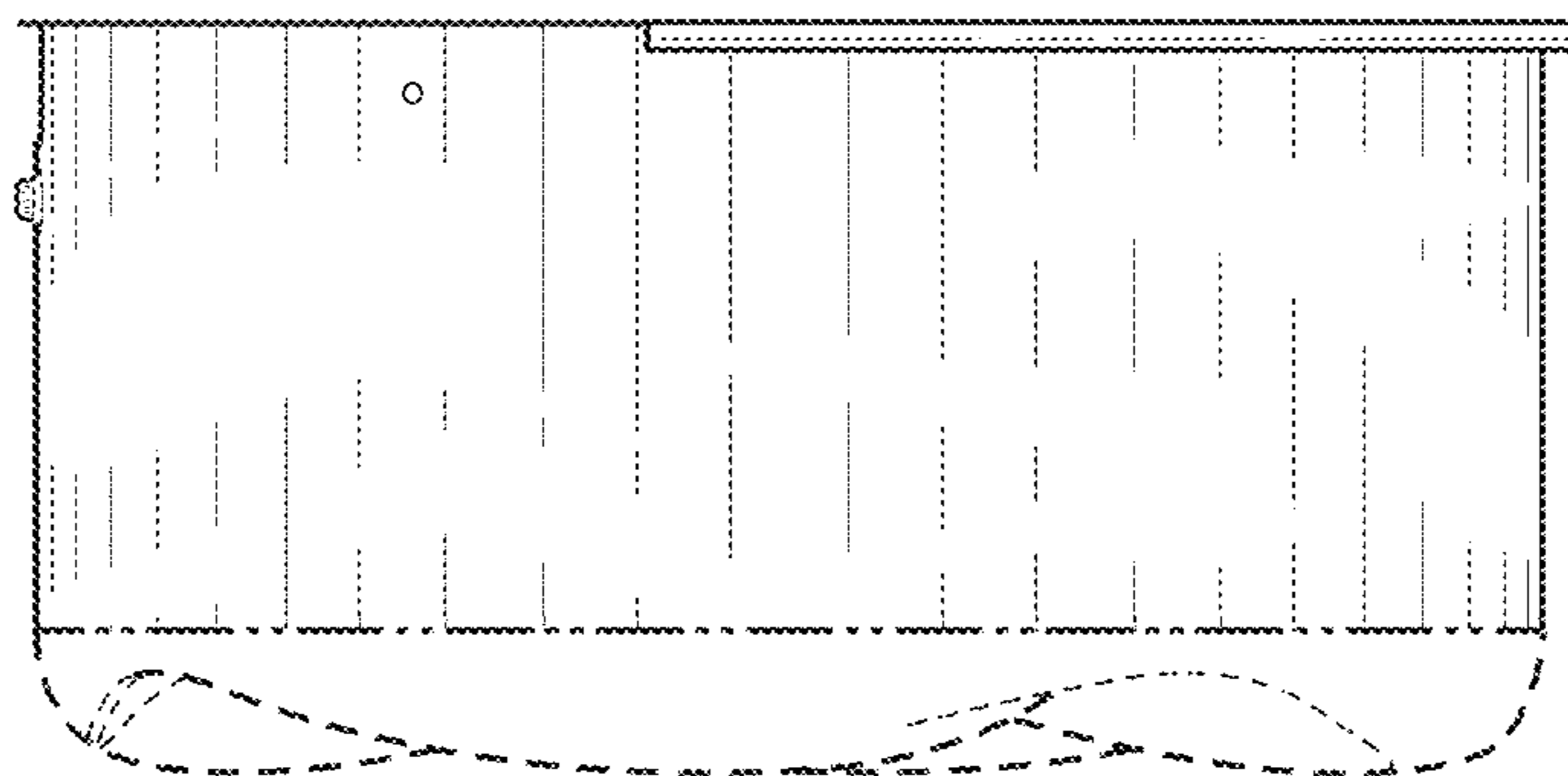


FIG. 5

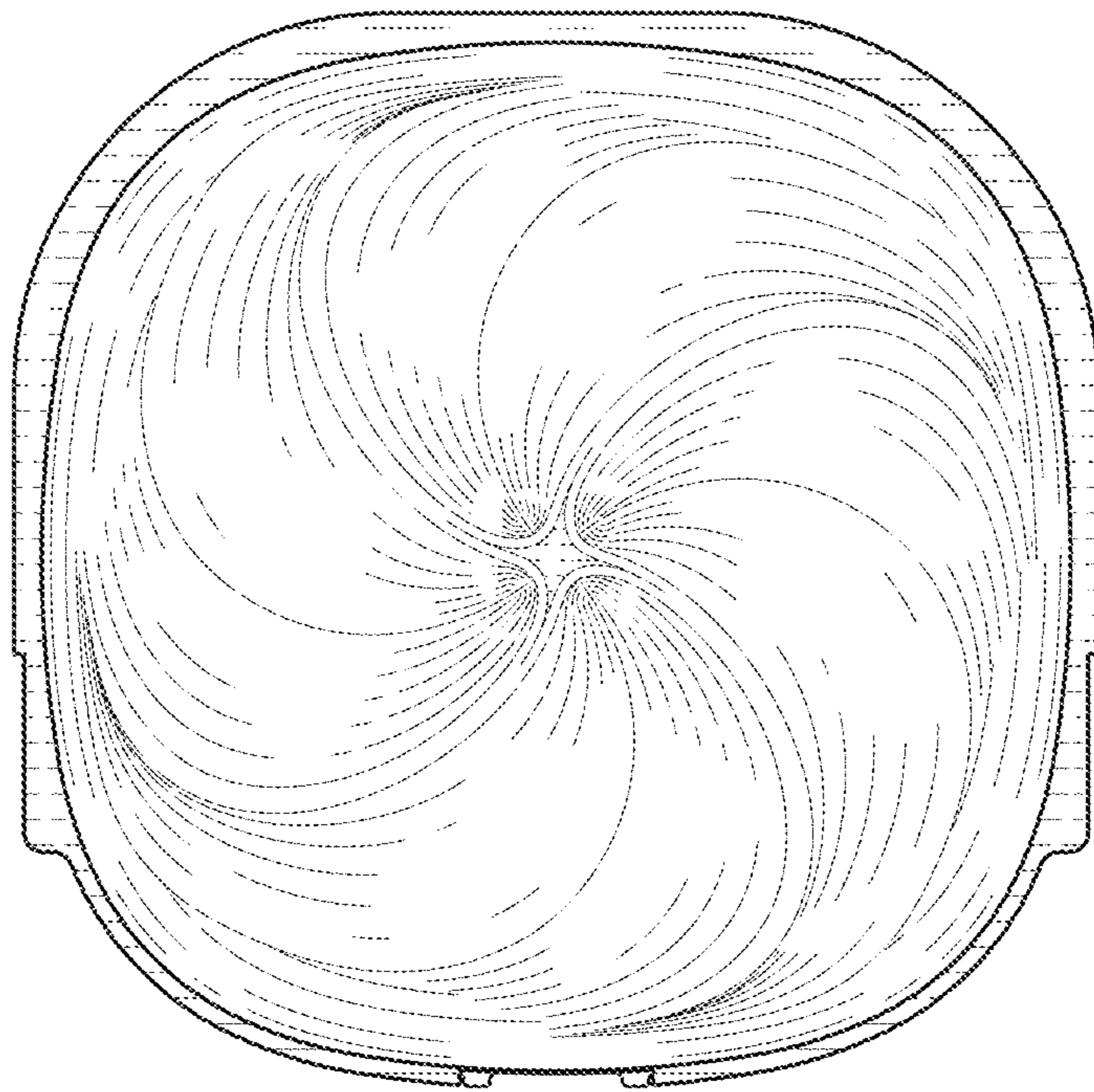


FIG. 6