



US00D875458S

(12) **United States Design Patent** (10) **Patent No.:** **US D875,458 S**
Kwon et al. (45) **Date of Patent:** **** Feb. 18, 2020**

(54) **GAS COOKTOP**

(56) **References Cited**

(71) Applicant: **LG ELECTRONICS INC.**, Seoul (KR)

U.S. PATENT DOCUMENTS

(72) Inventors: **Hongsik Kwon**, Seoul (KR); **Sooyeon Kim**, Seoul (KR); **Inhwan Ryu**, Seoul (KR); **Suhyeon Son**, Seoul (KR); **Songyi Han**, Seoul (KR)

D550,031 S *	9/2007	Pino	D7/408
D557,069 S *	12/2007	Shin	D7/408
D560,955 S *	2/2008	Shin	D7/340
D580,225 S *	11/2008	Geiger	D7/408
D610,863 S *	3/2010	Kim	D7/340
D653,900 S *	2/2012	Kim	D7/340
D655,128 S *	3/2012	Kim	D7/340
D685,602 S *	7/2013	Lee	D7/340
D702,496 S *	4/2014	Funnell, II	D7/408
D721,538 S *	1/2015	Kim	D7/408
D811,164 S *	2/2018	Kamper	D7/408
D817,691 S *	5/2018	Kim	D7/346
2018/0245798 A1 *	8/2018	Todd	F24C 15/18

(73) Assignee: **LG ELECTRONICS INC.**, Seoul (KR)

(**) Term: **15 Years**

* cited by examiner

(21) Appl. No.: **35/506,348**

Primary Examiner — Nicole C Shiflet

(22) Filed: **Jul. 25, 2018**

(74) *Attorney, Agent, or Firm* — Birch, Stewart, Kolasch & Birch, LLP

(80) **Hague Agreement Data**

Int. Filing Date: **Jul. 25, 2018**

Int. Reg. No.: **DM/102380**

Int. Reg. Date: **Jul. 25, 2018**

Int. Reg. Pub. Date: **Jan. 25, 2019**

(57) **CLAIM**

The ornamental design for a gas cooktop, as shown and described.

(51) **LOC (12) Cl.** **07-02**

(52) **U.S. Cl.**
USPC **D7/346**

(58) **Field of Classification Search**
USPC D7/407-409, 362, 346-347, 339-341, D7/402; D23/397, 402
CPC F24C 15/36; F24C 15/107; F24C 7/062; F24C 7/067; F24C 3/082; F24C 3/08; A47J 37/0709

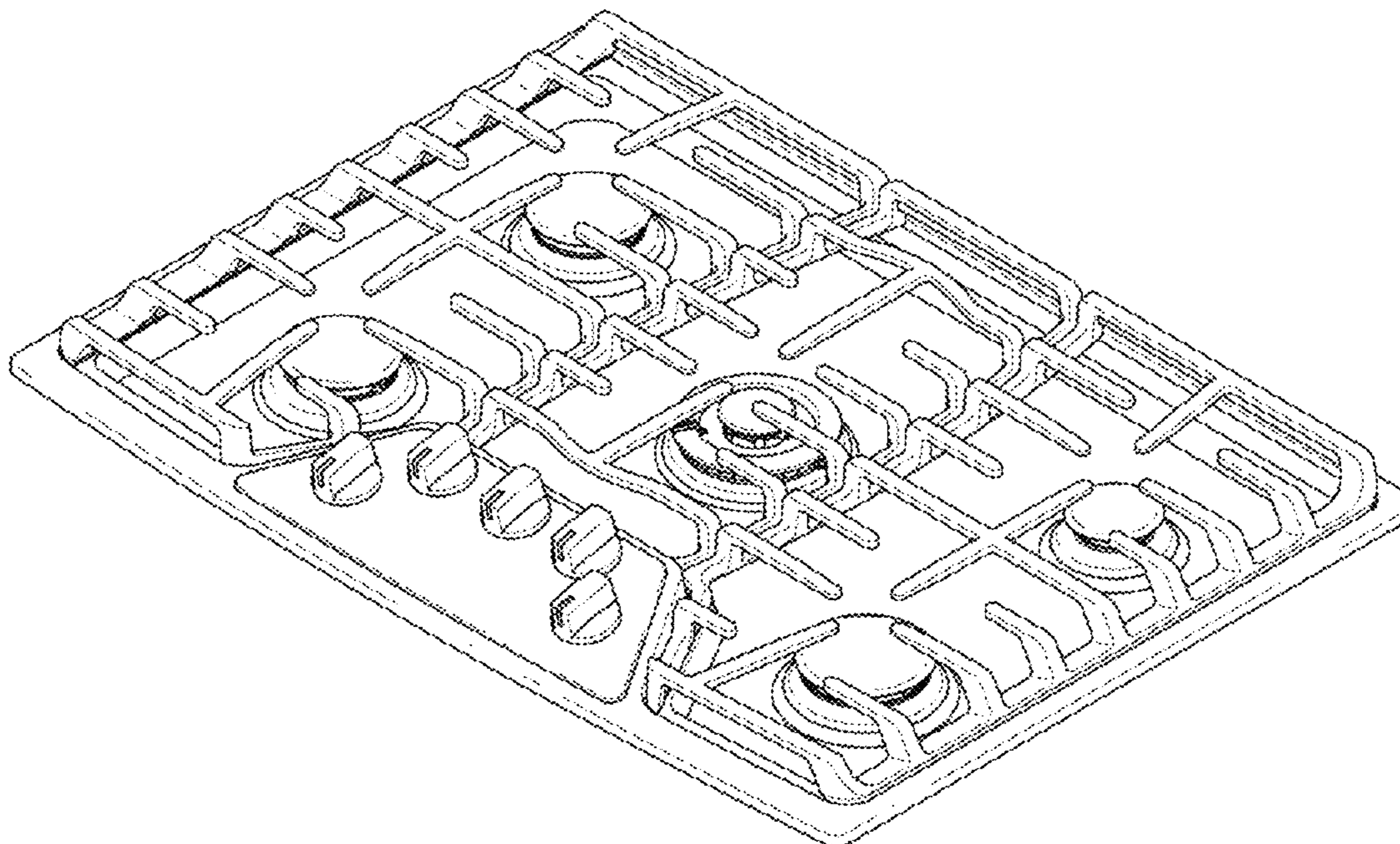
DESCRIPTION

- 1. Gas cooktop
- 1.1 : Perspective
- 1.2 : Front
- 1.3 : Back
- 1.4 : Left
- 1.5 : Right
- 1.6 : Top
- 1.7 : Bottom

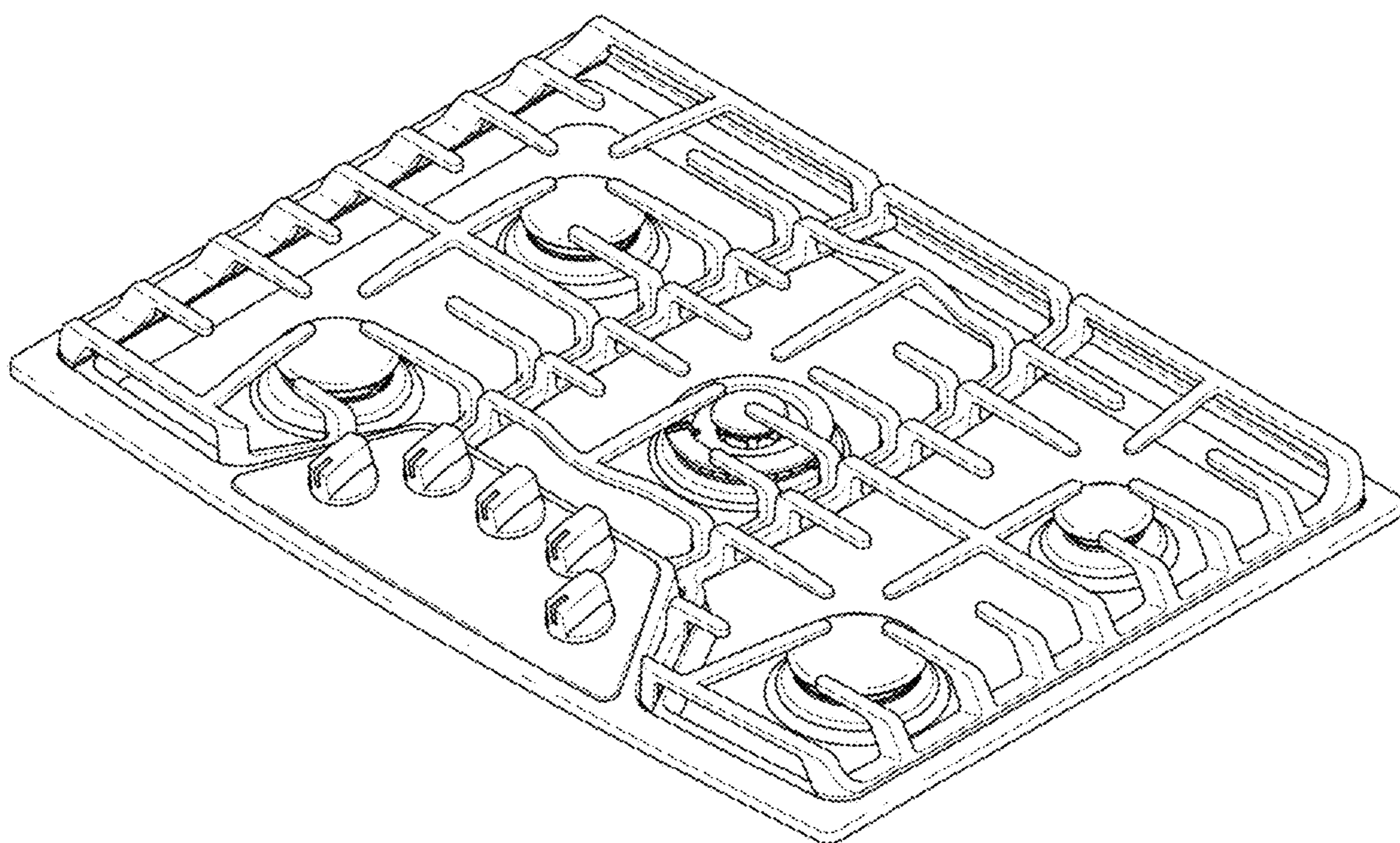
The broken lines indicate unclaimed portions of the article that form no part of the claimed design.

See application file for complete search history.

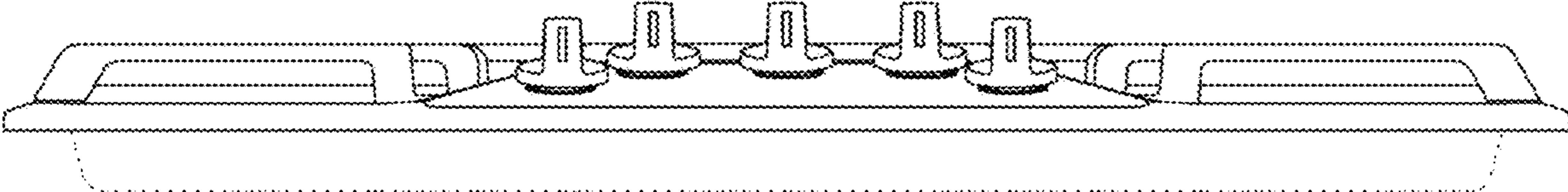
1 Claim, 7 Drawing Sheets



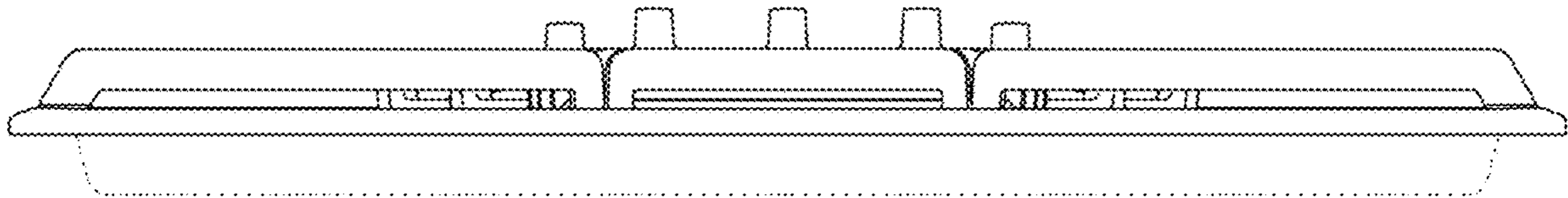
1.1



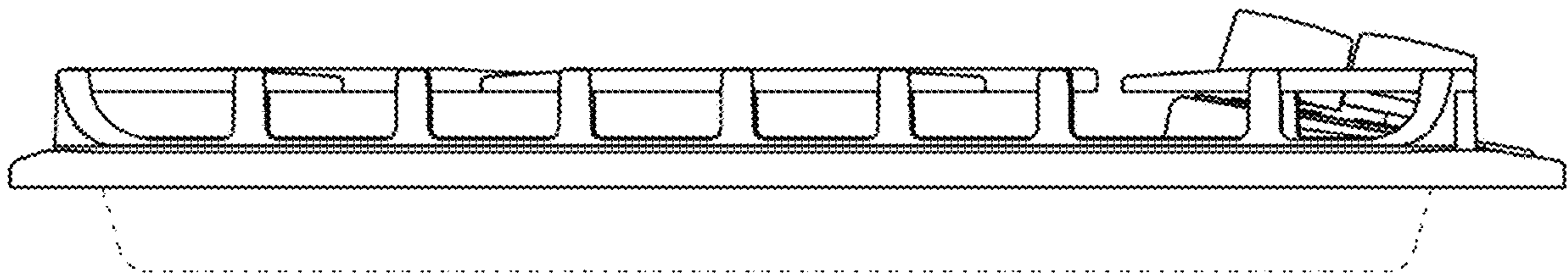
1.2



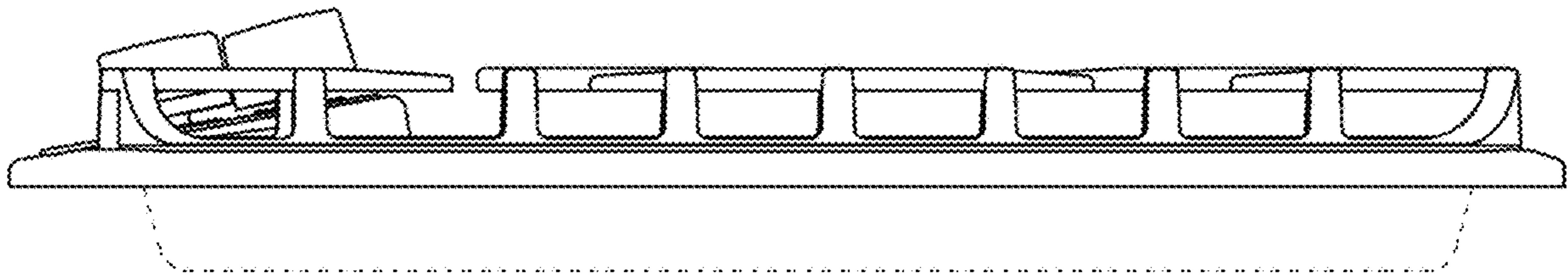
1.3



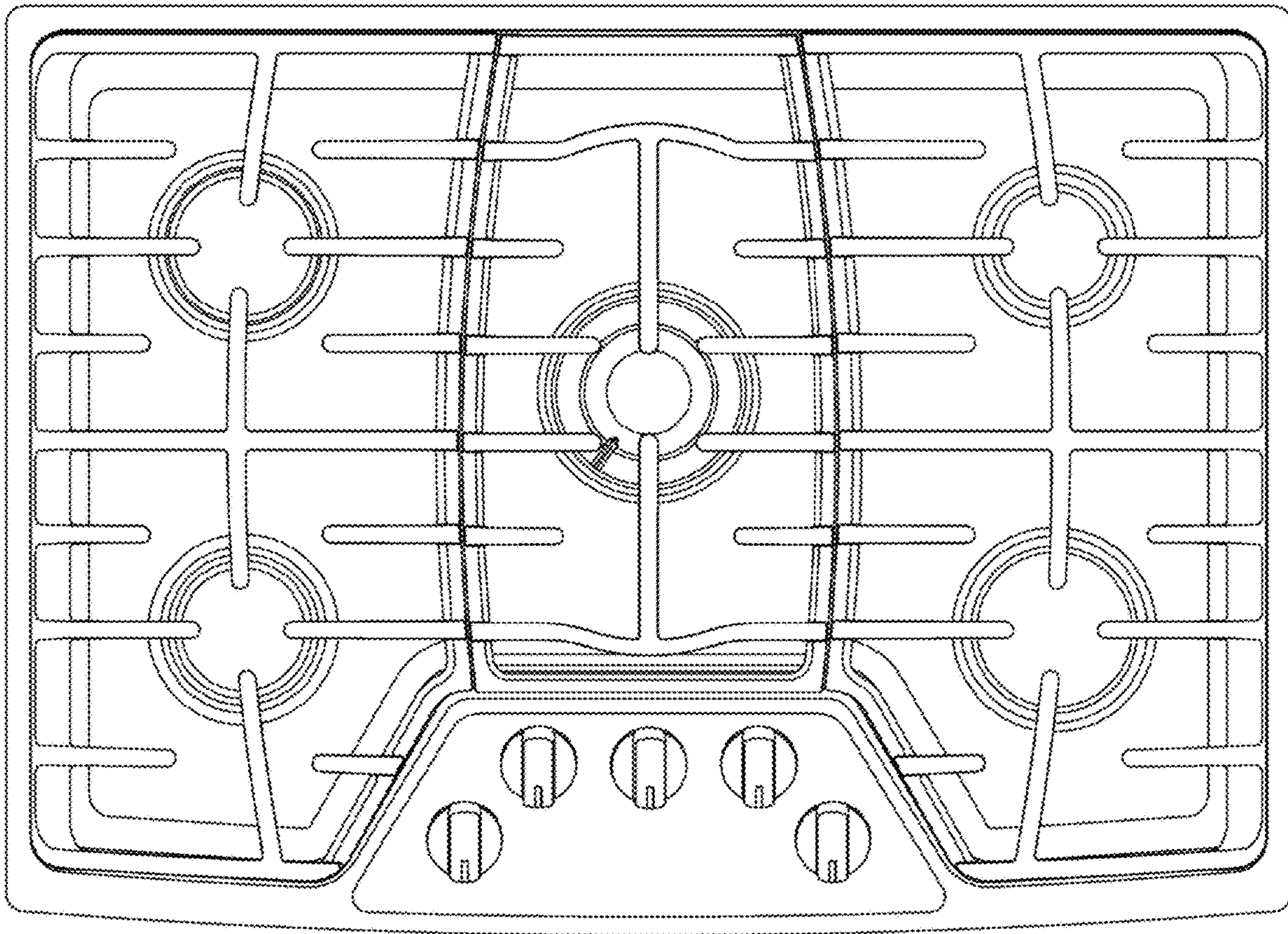
1.4



1.5



1.6



1.7

