

US00D875457S

(12) **United States Design Patent** (10) **Patent No.:** **US D875,457 S**
Ramos et al. (45) **Date of Patent:** **** Feb. 18, 2020**

(54) **CHAIR**
(71) Applicant: **Steelcase Inc.**, Grand Rapids, MI (US)
(72) Inventors: **Ryan Jerome Ramos**, Grand Rapids, MI (US); **Steven James Beukema**, Grand Rapids, MI (US); **Joseph Zeledon**, Grand Rapids, MI (US)
(73) Assignee: **Steelcase Inc.**, Grand Rapids, MI (US)
(**) Term: **15 Years**
(21) Appl. No.: **29/631,687**
(22) Filed: **Jan. 2, 2018**
(51) **LOC (12) Cl.** **06-01**
(52) **U.S. Cl.**
USPC **D6/717; D6/379**
(58) **Field of Classification Search**
USPC **D6/334-336, 371, 372, 373, 374, 375, D6/376, 379, 716, 716.1, 716.2, 716.3, D6/716.4, 717**
CPC **A47C 3/04; A47C 3/12; A47C 4/02; A47C 4/03; A47C 4/024; A47C 4/025; A47C 4/028**
See application file for complete search history.

D339,927 S 10/1993 Fahnstrom et al.
D341,260 S 11/1993 Fahnstrom et al.
D345,470 S 3/1994 Narita
D346,279 S 4/1994 Stumpf et al.
D358,078 S 5/1995 Klein
D367,565 S 3/1996 Yeh
D368,596 S * 4/1996 Breen D6/716
D369,259 S * 4/1996 Breen D6/366
D380,102 S * 6/1997 Breen D6/379
D390,712 S 2/1998 Koepke et al.
D391,778 S * 3/1998 Cretcher D6/374
D400,018 S 10/1998 James et al.
D405,283 S 2/1999 James
D405,618 S 2/1999 Reutepohler et al.
D405,620 S 2/1999 Koepke et al.
D407,576 S 4/1999 Ritch et al.
D446,033 S 8/2001 Koepke et al.
D446,037 S * 8/2001 Koepke D6/374
D446,396 S 8/2001 Phillips et al.
D446,958 S * 8/2001 Olson D6/379

(Continued)

Primary Examiner — Mimoso De

(57) **CLAIM**

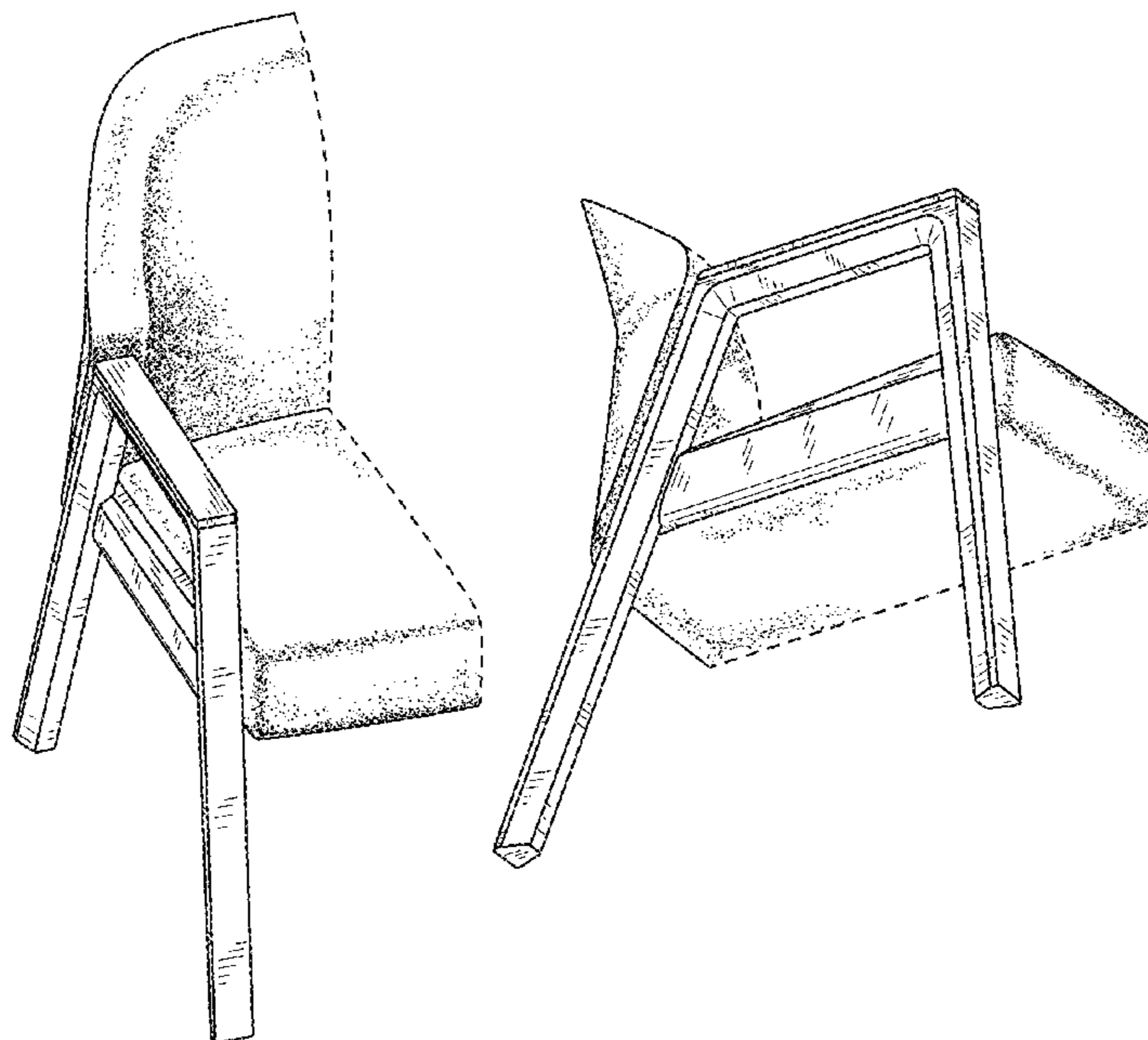
We claim the ornamental design for a chair, as shown and described.

DESCRIPTION

FIG. 1 is a front right perspective view of a chair; FIG. 2 is a front left perspective view of the chair of FIG. 1; FIG. 3 is a bottom perspective view of the chair of FIG. 1; FIG. 4 is a front view of the chair of FIG. 1; FIG. 5 is a rear view of the chair of FIG. 1; FIG. 6 is a right side view of the chair of FIG. 1; FIG. 7 is a left side view of the chair of FIG. 1; FIG. 8 is a top view of the chair of FIG. 1; and, FIG. 9 is a bottom view of the chair of FIG. 1. The dashed lines are for purposes of illustrating environmental structure and form no part of the claimed design.

1 Claim, 5 Drawing Sheets

(56) **References Cited**
U.S. PATENT DOCUMENTS
D189,476 S 12/1960 Anderson et al.
D265,151 S 6/1982 Roner
D282,800 S 3/1986 Sorensen
D291,035 S 7/1987 Strousse et al.
D299,191 S 1/1989 Frinier
D321,600 S 11/1991 Brennan
D333,733 S 3/1993 Sammons
D336,169 S 6/1993 Diaz Azcuy
D336,795 S 6/1993 Rowe et al.



(56)

References Cited

U.S. PATENT DOCUMENTS

D454,715 S *	3/2002	Olson	D6/379	D601,822 S	10/2009	Neil	
D484,710 S	1/2004	Getzel		D602,268 S	10/2009	Viererbl	
D485,097 S	1/2004	Raftery		D602,276 S	10/2009	Neil	
D486,658 S	2/2004	Weaver		D615,782 S *	5/2010	Beckley	D6/717
D498,601 S	11/2004	Olson et al.		D617,110 S	6/2010	Dorner	
D498,940 S	11/2004	Getzel		7,878,591 B2	2/2011	Walker et al.	
6,820,936 B2	11/2004	Wilkerson et al.		D637,829 S	5/2011	Citterio	
D499,895 S	12/2004	Olson et al.		D640,478 S	6/2011	Neil	
D509,671 S	9/2005	Olson et al.		D646,915 S	10/2011	Schweikarth et al.	
D516,832 S *	3/2006	Schweikarth	D6/374	D648,147 S	11/2011	Izawa	
D517,820 S	3/2006	Citterio		D653,868 S	2/2012	Samuel et al.	
D520,764 S	5/2006	Kinoshita et al.		D665,592 S	8/2012	Citterio	
D535,112 S	1/2007	Bernett et al.		D666,016 S	8/2012	Citterio	
D535,830 S	1/2007	Bernett et al.		D666,842 S	9/2012	Cramer et al.	
D542,548 S	5/2007	Yang		D671,759 S	12/2012	Hurford	
D546,089 S	7/2007	Ebenestelli		D688,483 S	8/2013	Aratani	
D547,573 S	7/2007	Egger		D689,295 S *	9/2013	Schweikarth	D6/374
D554,383 S	11/2007	Scheper et al.		D690,952 S	10/2013	Becker	
7,293,833 B2	11/2007	Takeuchi et al.		D696,038 S *	12/2013	Schweikarth	D6/379
D563,688 S	3/2008	Boulva		D697,736 S *	1/2014	Schweikarth	D6/379
D566,410 S	4/2008	Neil		D704,944 S	5/2014	Koepke et al.	
D575,541 S	8/2008	Hayes		8,820,835 B2	9/2014	Minino et al.	
D579,682 S	11/2008	Neil		D733,446 S	7/2015	Izawa et al.	
D600,049 S *	9/2009	Heltemes	D6/717	D740,044 S	10/2015	Brown et al.	
				D774,347 S *	12/2016	Schweikarth	D6/717
				D779,246 S	2/2017	Young et al.	
				D782,859 S	4/2017	Welsh et al.	

* cited by examiner

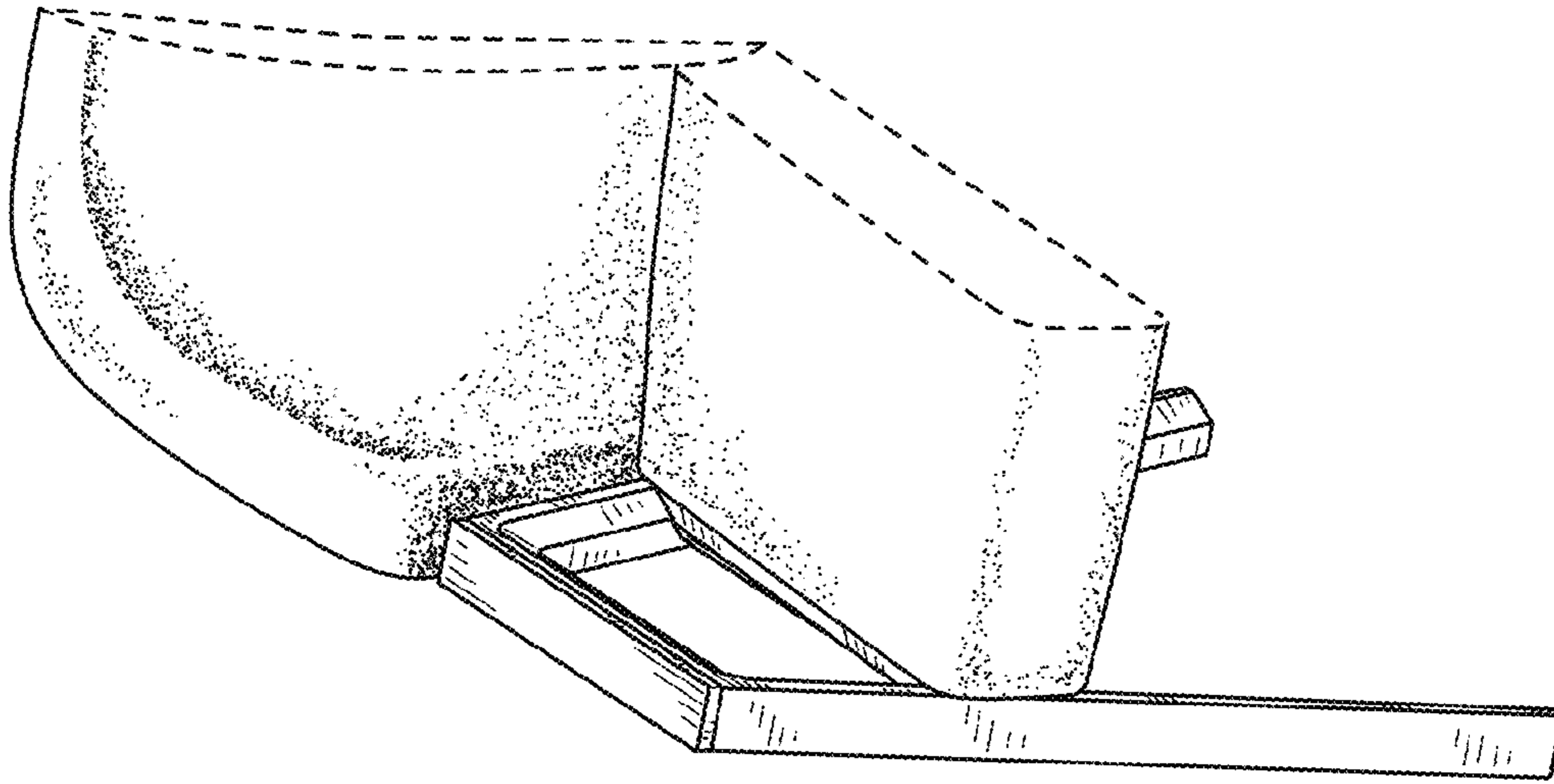


FIG. 2

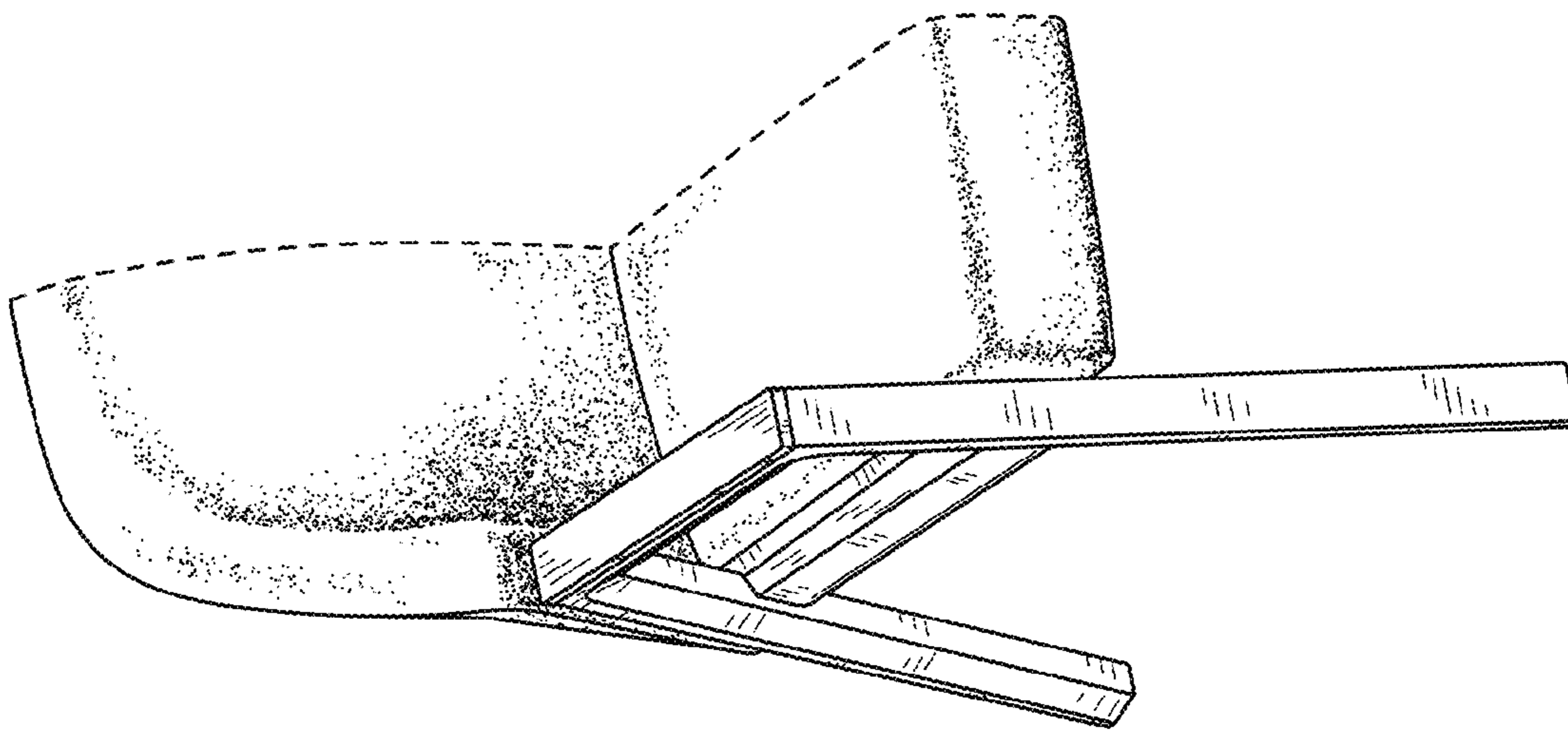


FIG. 1

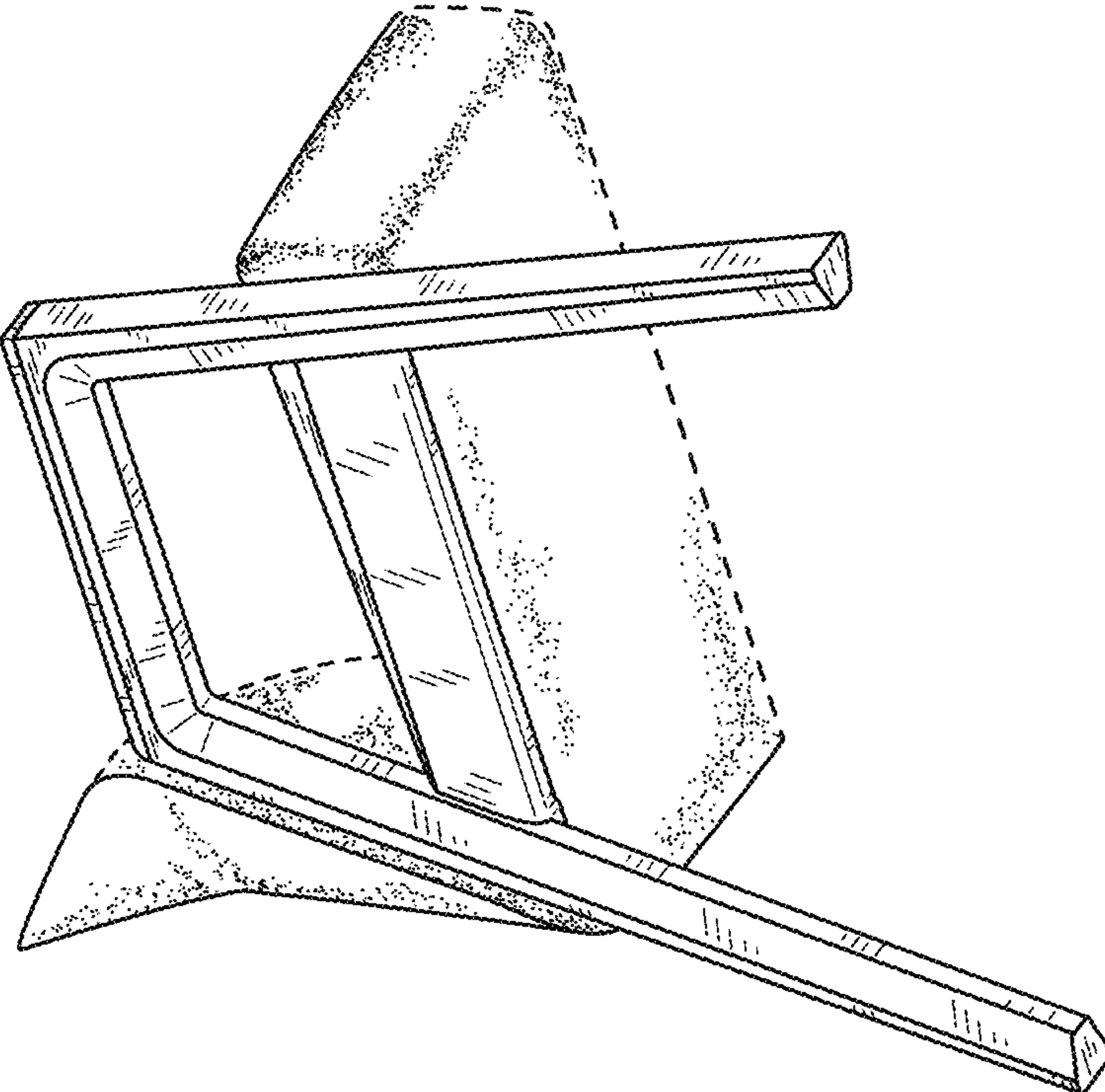


FIG. 3

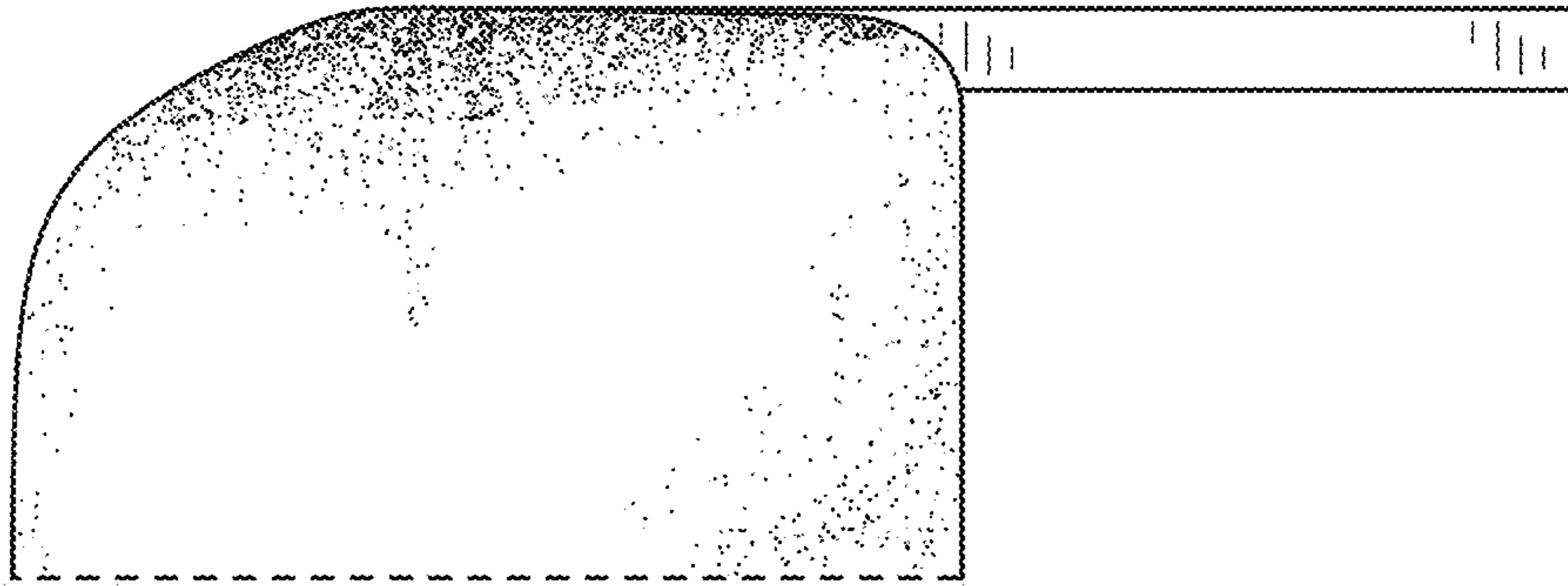


FIG. 5

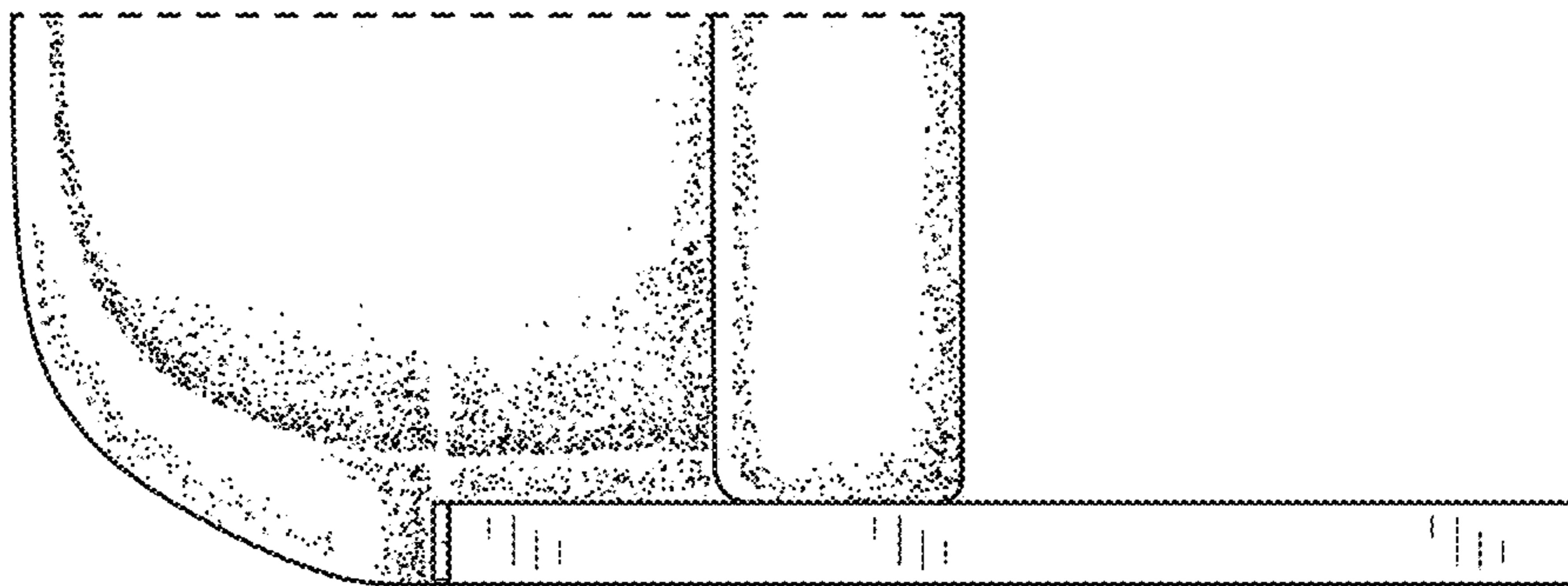


FIG. 4

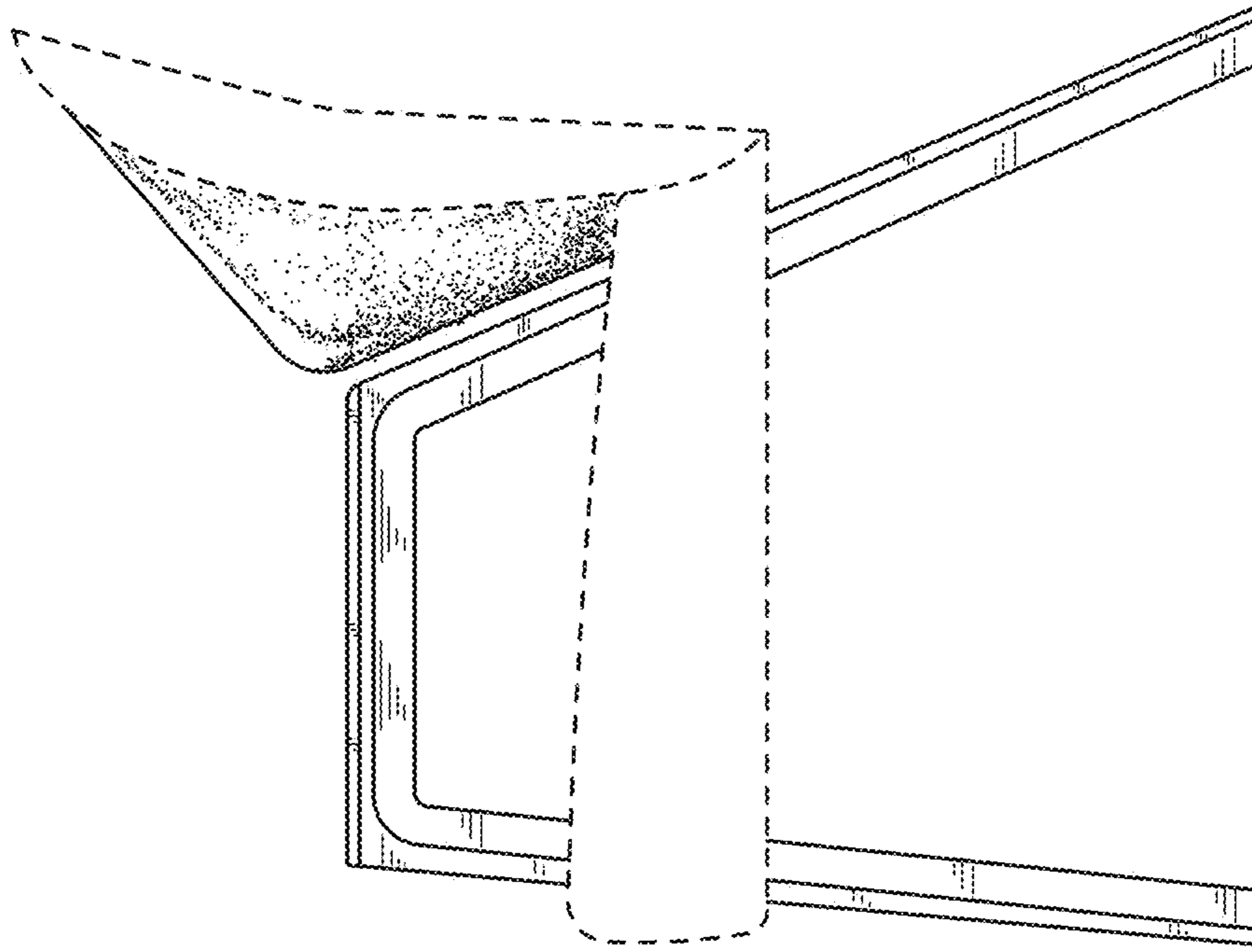


FIG. 6

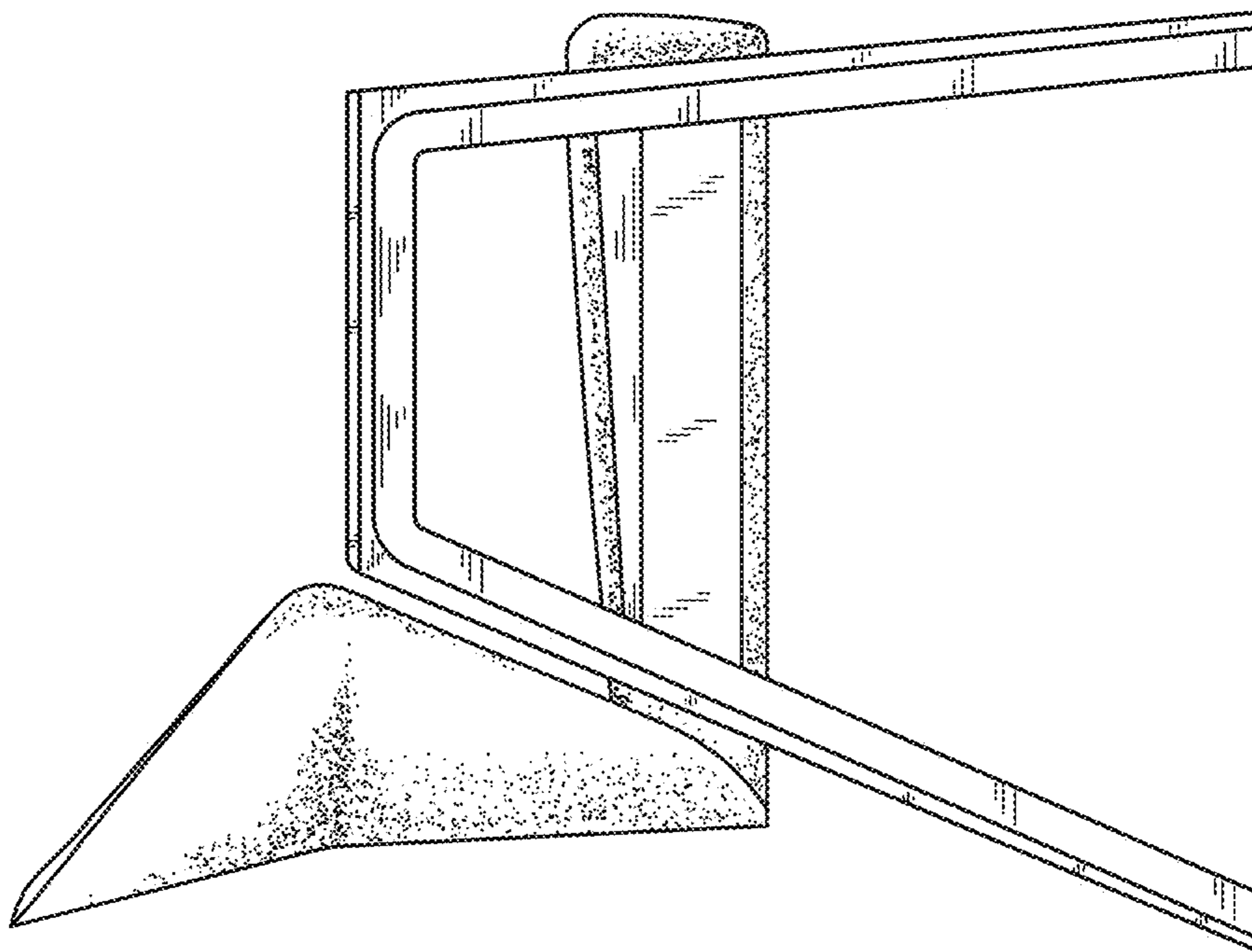


FIG. 7

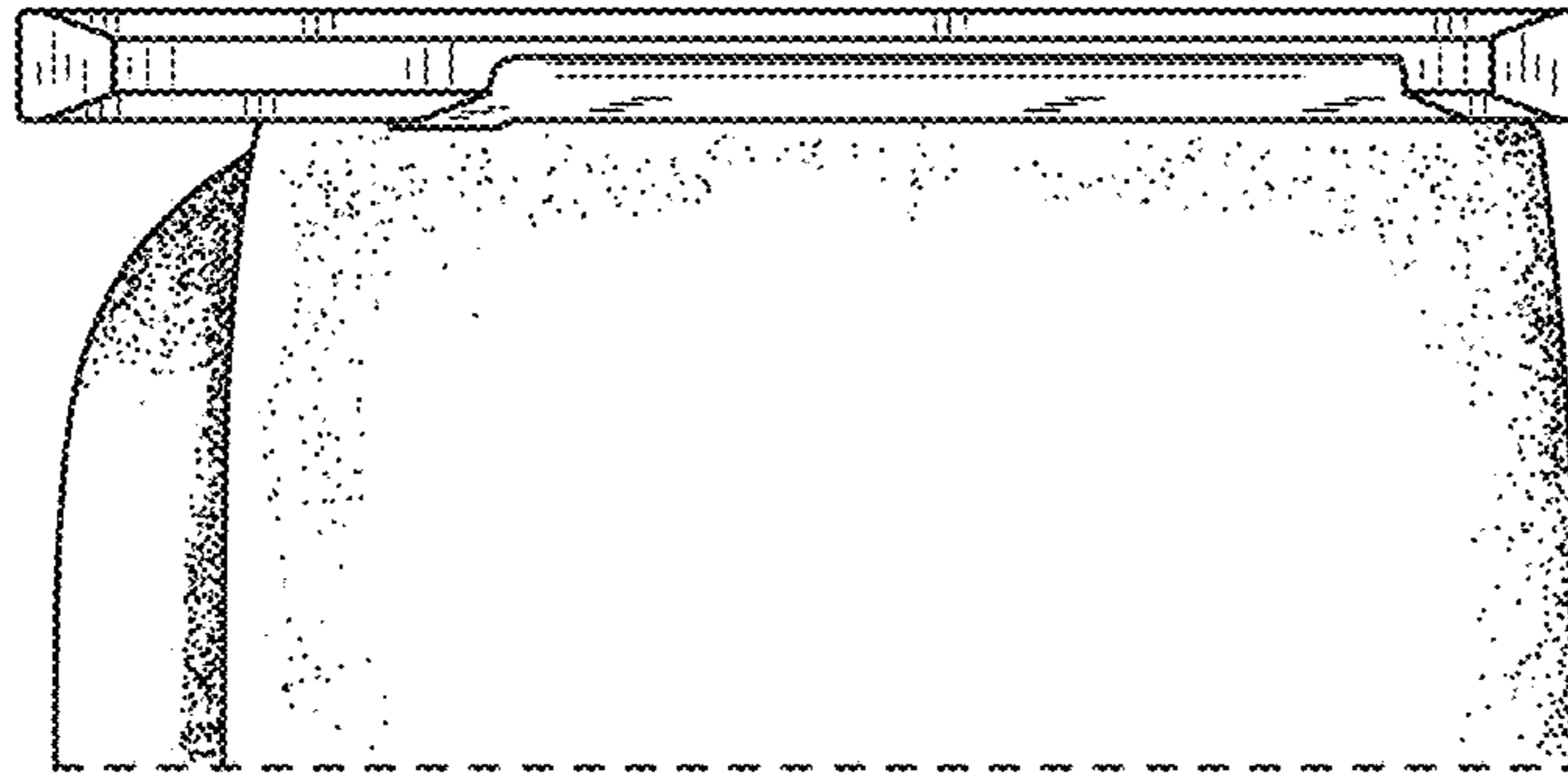


FIG. 9

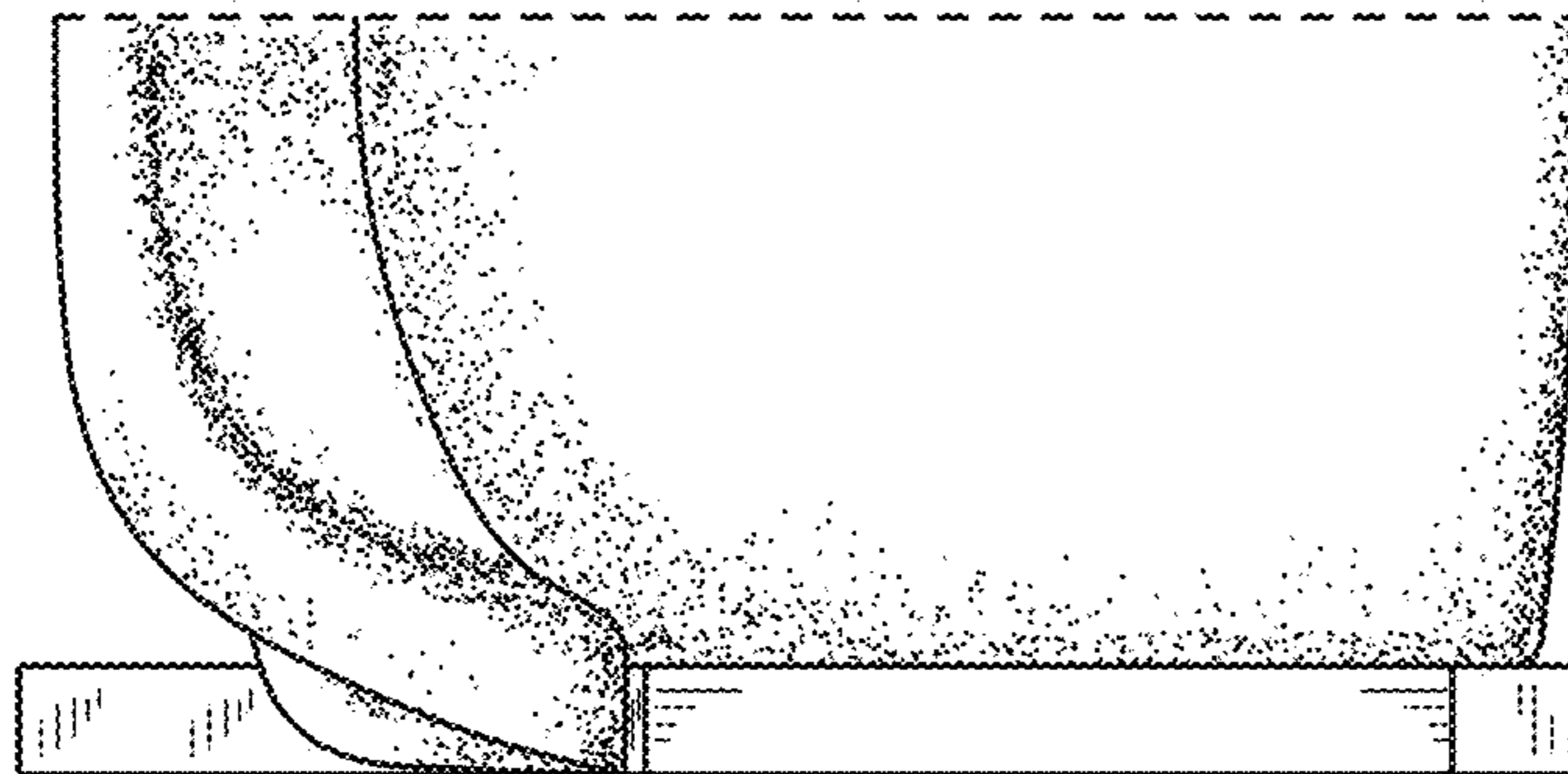


FIG. 8