

US00D875455S

(12) **United States Design Patent**
Saotome

(10) **Patent No.:** **US D875,455 S**

(45) **Date of Patent:** **** Feb. 18, 2020**

(54) **BENCH**

(71) Applicant: **Okamura Corporation**, Yokohama-shi,
Kanagawa (JP)

(72) Inventor: **Hiroshi Saotome**, Yokohama (JP)

(73) Assignee: **Okamura Corporation**, Yokohama-shi,
Kanagawa (JP)

(**) Term: **15 Years**

(21) Appl. No.: **29/656,260**

(22) Filed: **Jul. 11, 2018**

(30) **Foreign Application Priority Data**

Jan. 11, 2018 (JP) 2018-000312

(51) **LOC (12) Cl.** **06-01**

(52) **U.S. Cl.**
USPC **D6/716.3**

(58) **Field of Classification Search**

USPC D6/334, 335, 349, 352, 355, 363, 369,
D6/374-376, 378, 379-382, 601, 711,
D6/716-716.3

CPC A47C 1/16; A47C 3/04; A47C 3/12; A47C
5/02; A47C 5/04; A47C 5/14; A47C 7/02;
A47C 7/16; A47C 7/18; A47C 7/24;
A47C 7/40; A47C 7/56; A47C 11/00;
A47C 11/005; A47C 13/005; A47C
15/002; A47C 17/02

See application file for complete search history.

(56) **References Cited**

U.S. PATENT DOCUMENTS

D290,321 S * 6/1987 Vogtherr D6/366
D368,817 S * 4/1996 Schultz D6/716.3

D498,077 S * 11/2004 Tonizzo D6/381
D498,079 S * 11/2004 Messier D6/370
D600,950 S * 9/2009 Tran D6/716.3
D719,368 S * 12/2014 Karasek D6/370
D719,752 S * 12/2014 Karasek D6/370
D759,989 S * 6/2016 Lade D6/379
D760,005 S * 6/2016 Lade D6/379
D848,173 S * 5/2019 Shemer D6/379

* cited by examiner

Primary Examiner — R. Johnson

(74) *Attorney, Agent, or Firm* — Banner & Witcoff, Ltd.

(57) **CLAIM**

The ornamental design for a bench, as shown and described.

DESCRIPTION

FIG. 1 is a front perspective view of a bench showing my new design;

FIG. 2 is a rear perspective view thereof;

FIG. 3 is a front view thereof;

FIG. 4 is a rear view thereof;

FIG. 5 is a right side view thereof;

FIG. 6 is a top view thereof;

FIG. 7 is a bottom view thereof;

FIG. 8 is a cross-sectional view taken along the line 8-8 in FIG. 3; and,

FIG. 9 is a cross-sectional view taken along the line 9-9 in FIG. 5.

The broken lines shown in the drawings illustrate portions of the bench that form no part of the claimed design.

1 Claim, 6 Drawing Sheets

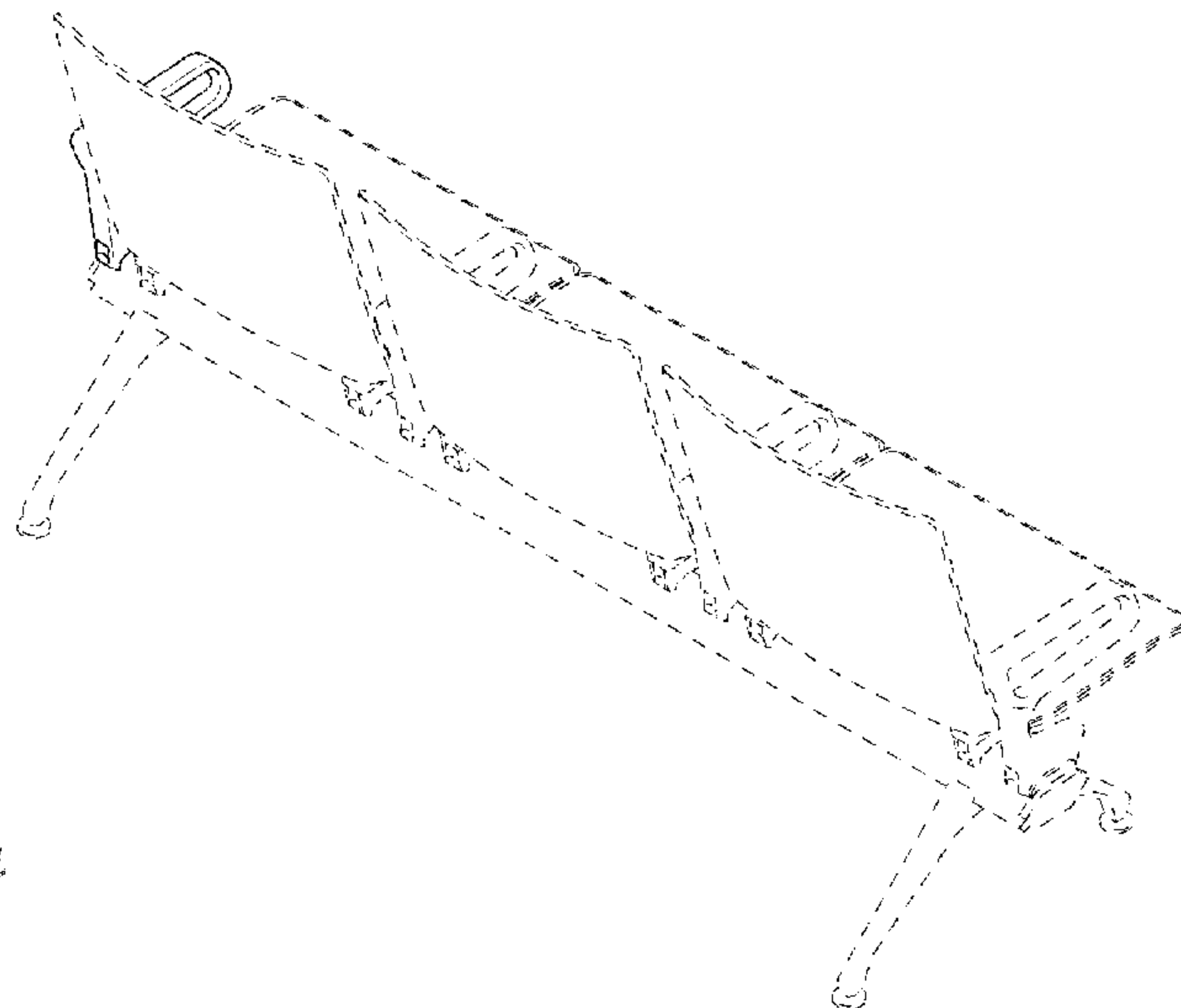
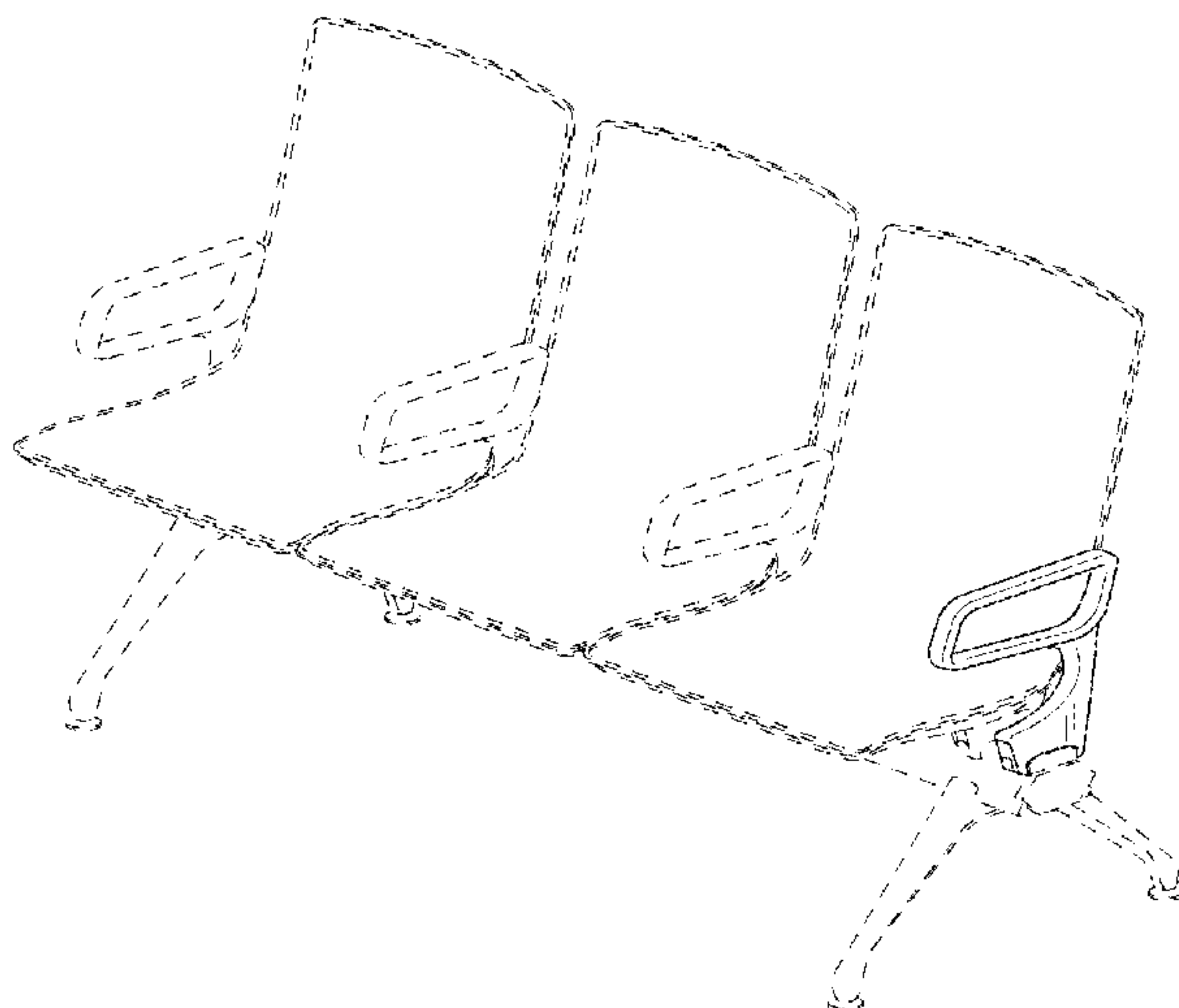


FIG. 1

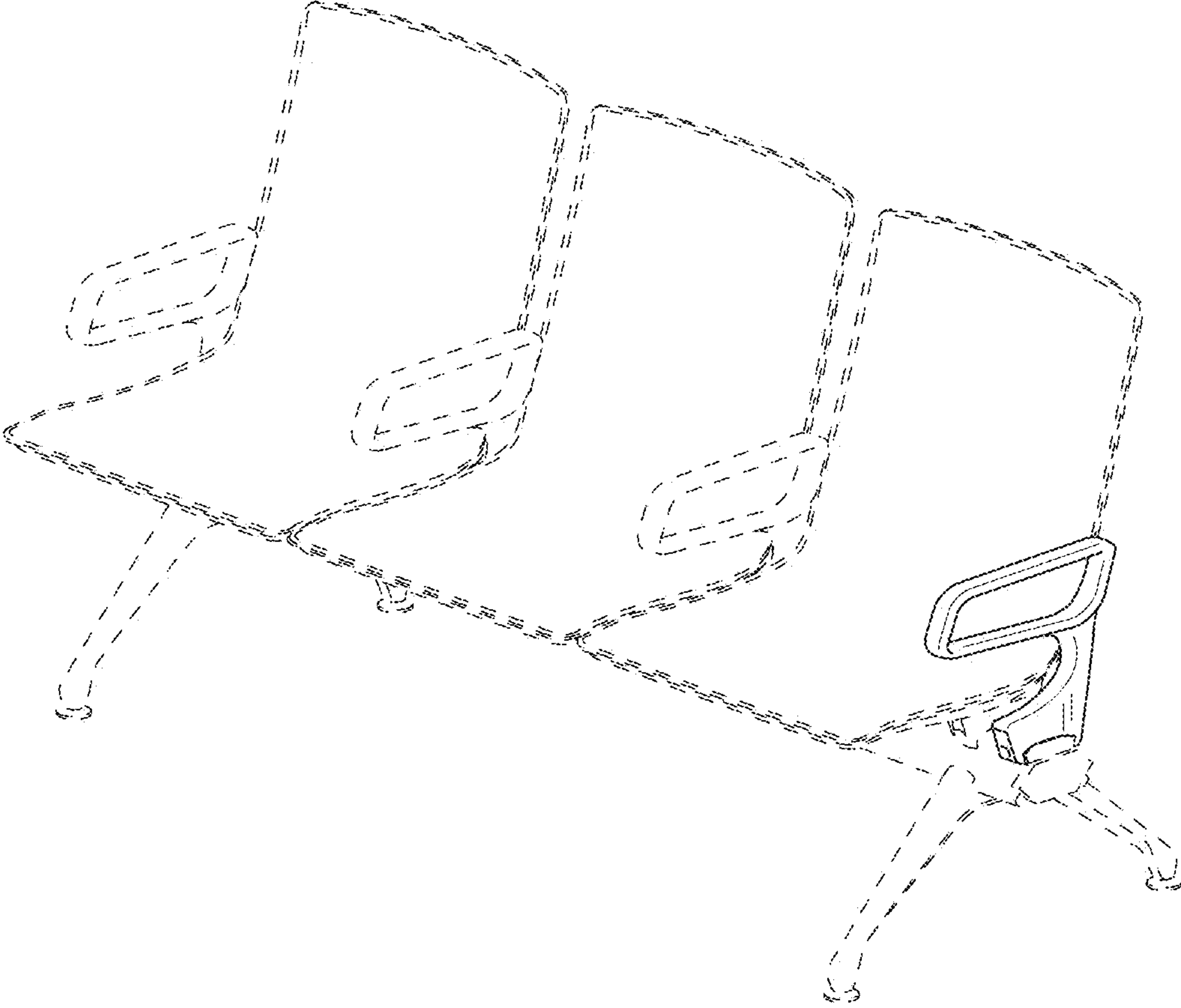


FIG. 2

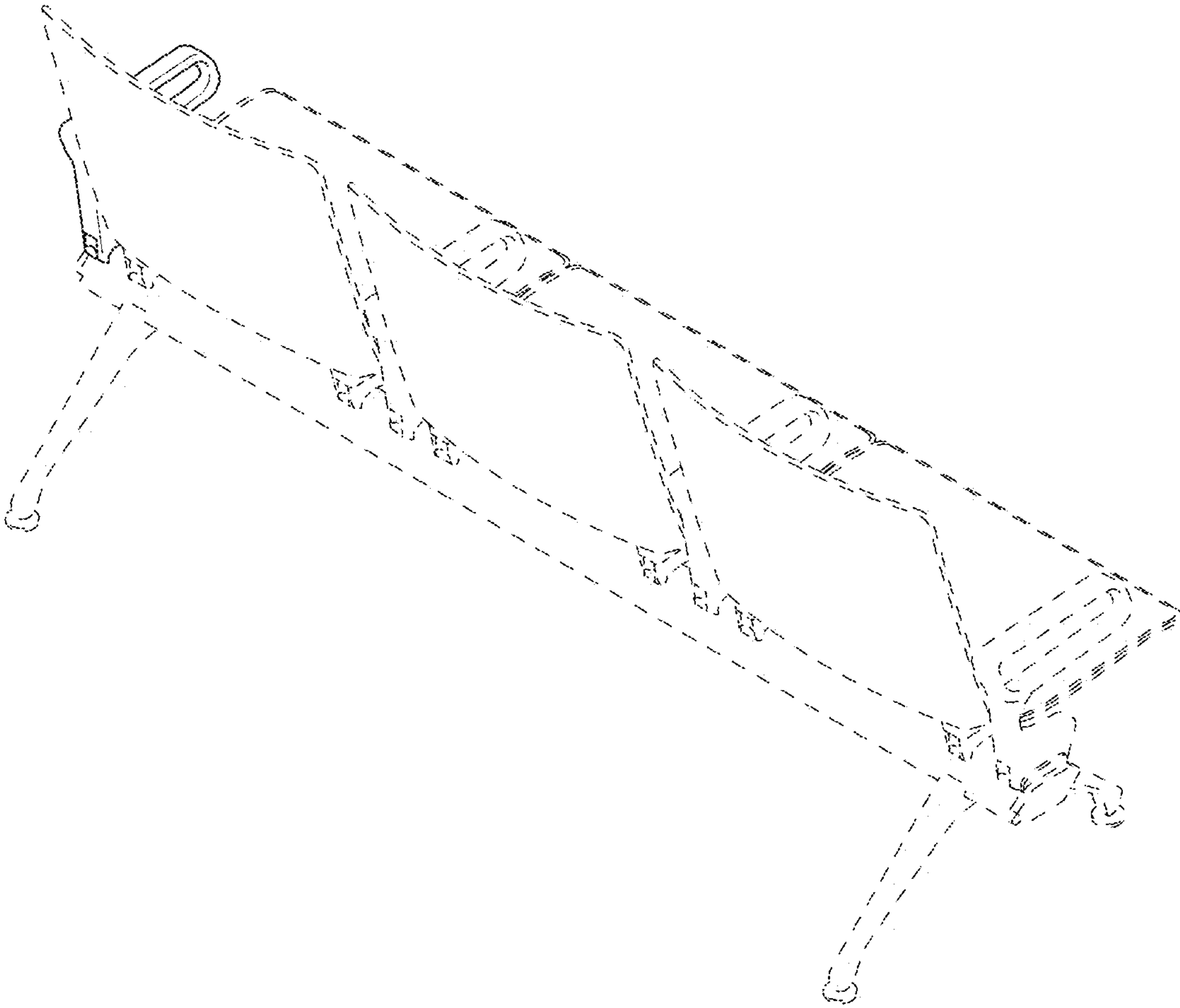


FIG. 3

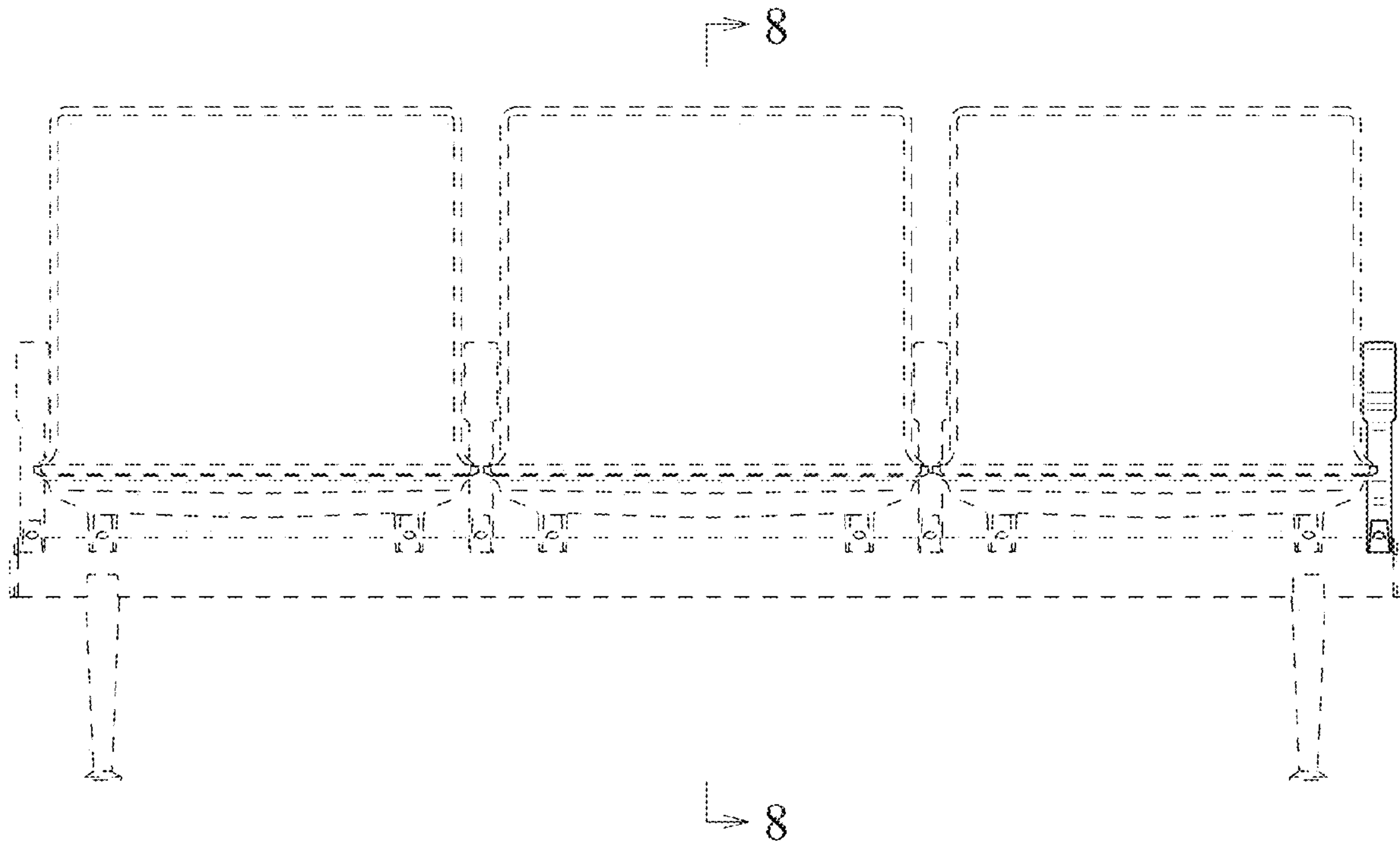


FIG. 4

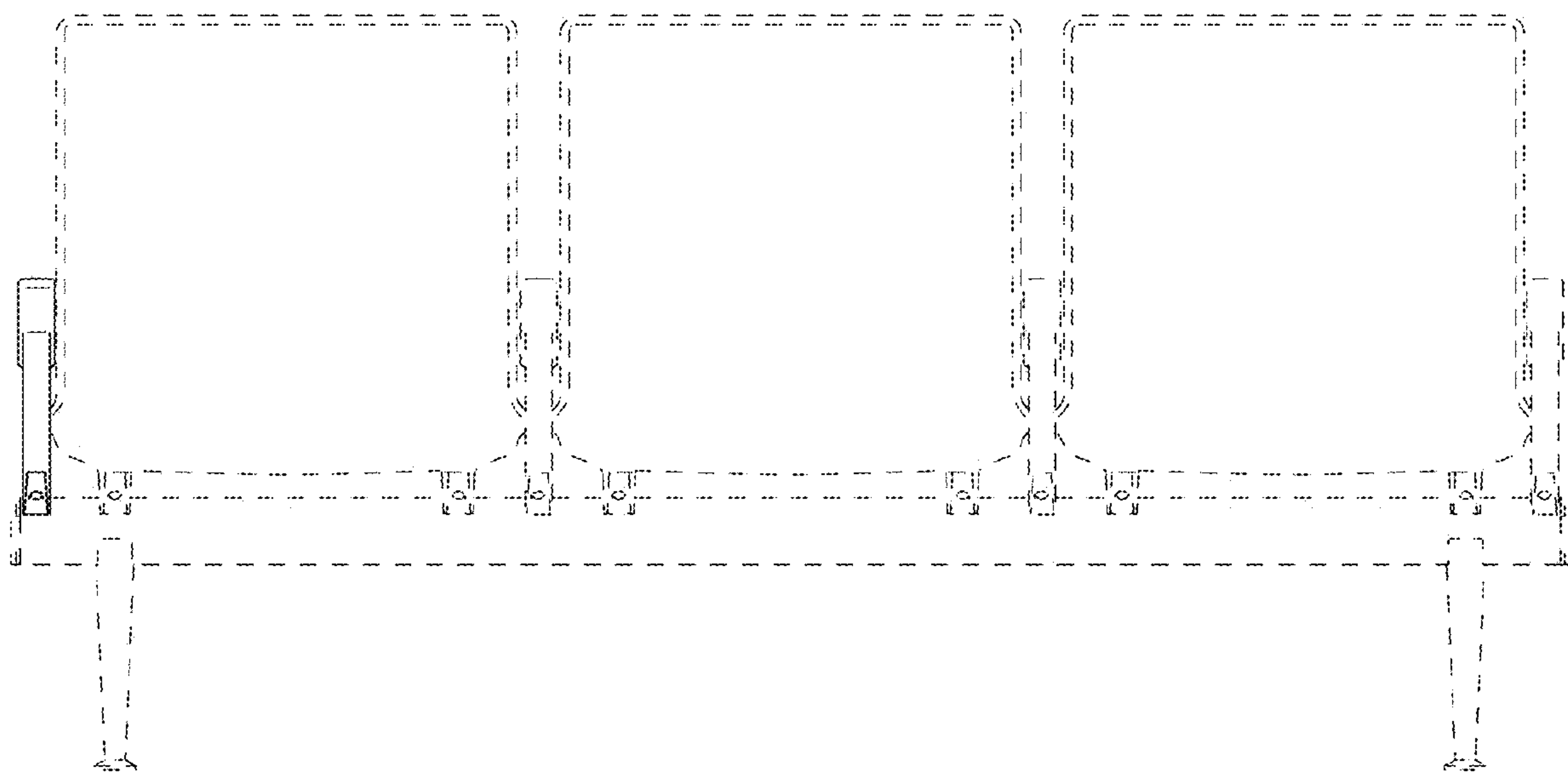


FIG. 5

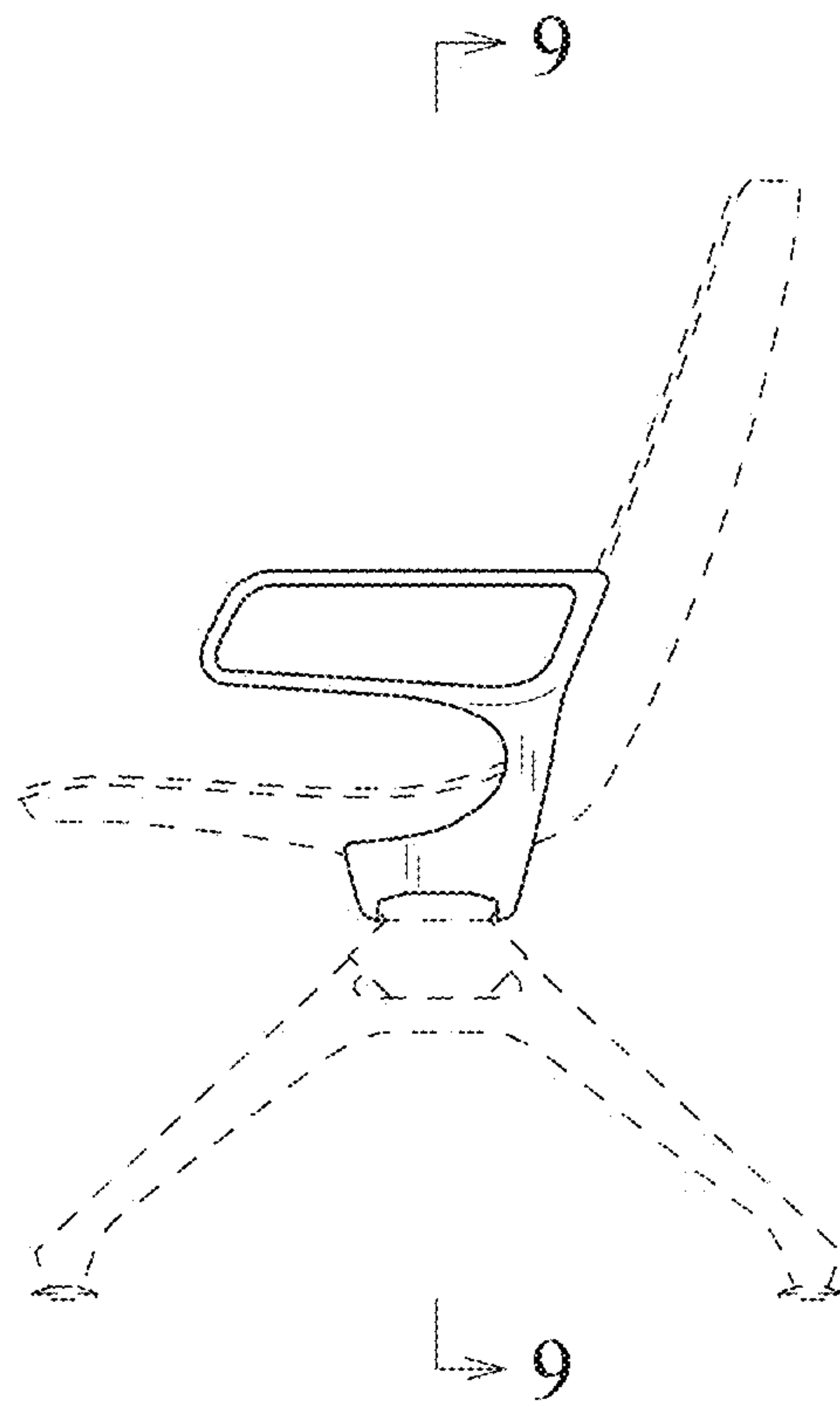


FIG. 6

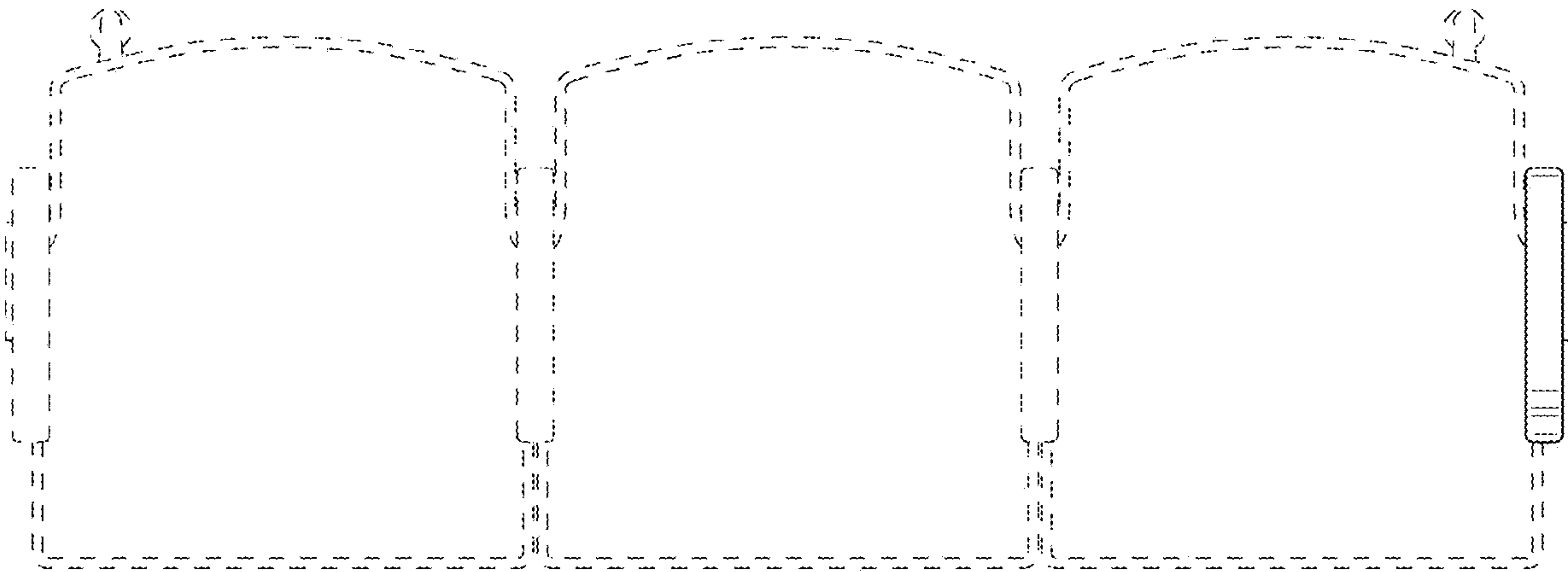


FIG. 7

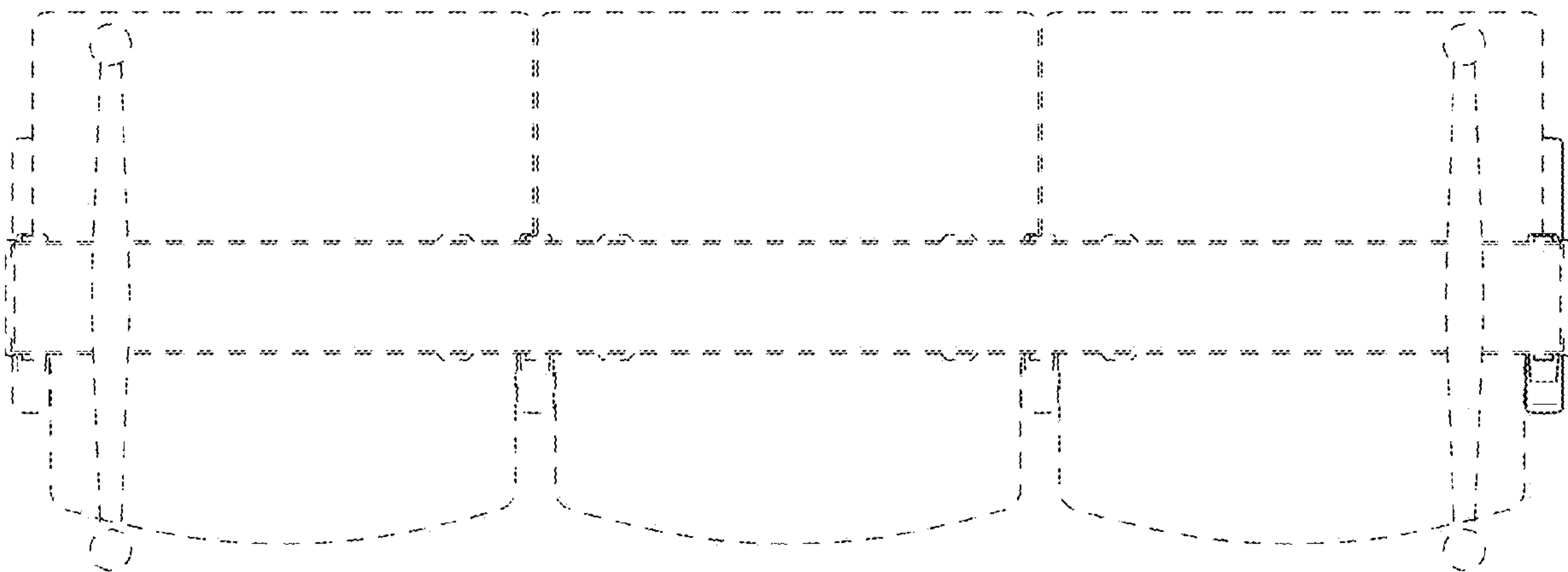


FIG. 8

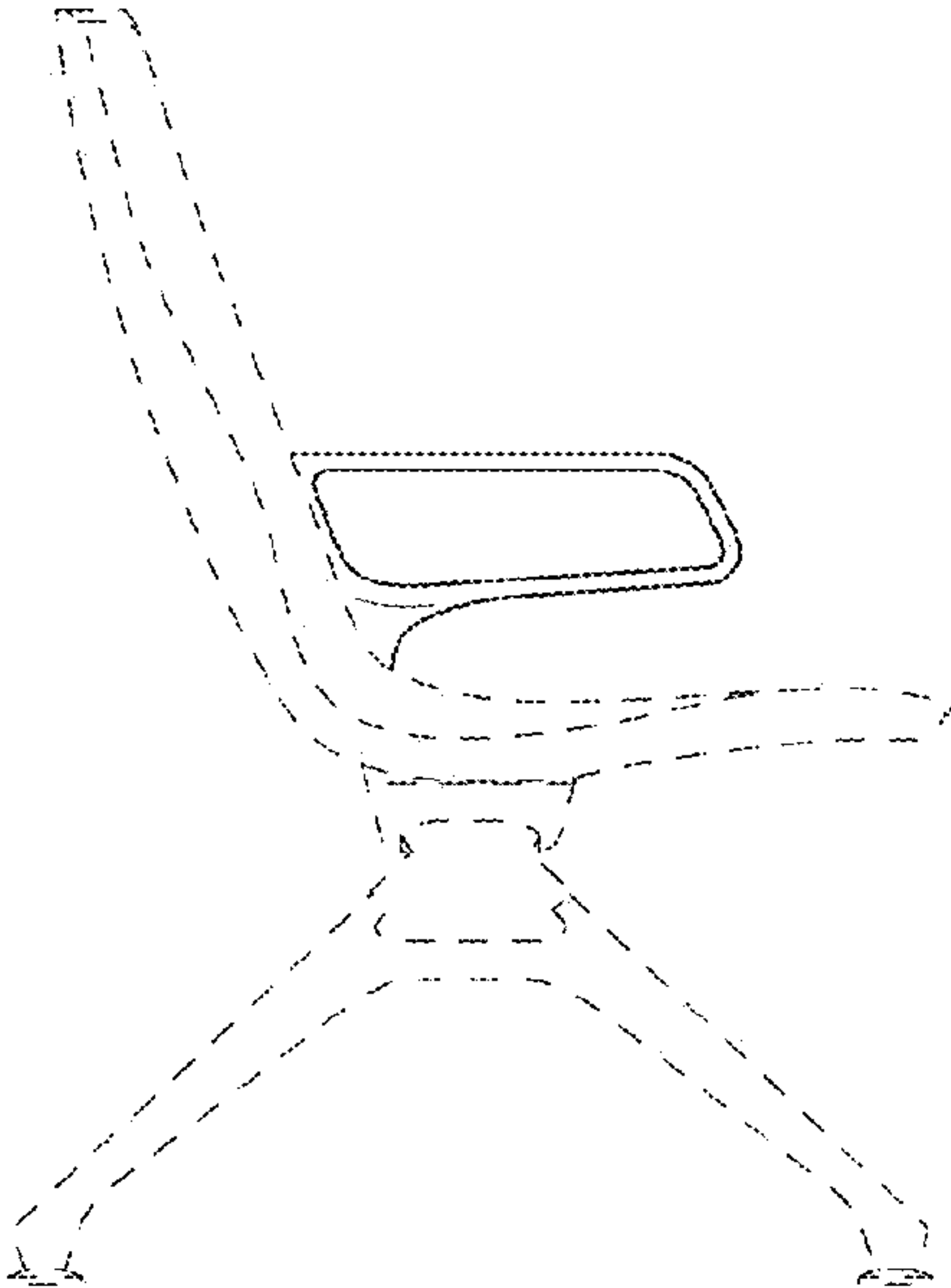


FIG. 9

