



US00D875453S

(12) **United States Design Patent** (10) **Patent No.:** **US D875,453 S**
Ma (45) **Date of Patent:** **** Feb. 18, 2020**

(54) **CHAIR FRAME**

(71) Applicant: **Ju-Yi Ma**, Nantou (TW)

(72) Inventor: **Ju-Yi Ma**, Nantou (TW)

(**) Term: **15 Years**

(21) Appl. No.: **29/635,035**

(22) Filed: **Jan. 26, 2018**

(51) **LOC (12) Cl.** **06-01**

(52) **U.S. Cl.**
USPC **D6/716; D6/366**

(58) **Field of Classification Search**
USPC D6/334-336, 364, 365, 366, 374, 375,
D6/379, 380, 716, 716.1, 716.2, 716.3,
D6/716.4
CPC A47C 7/002; A47C 7/004; A47C 7/02;
A47C 7/18; A47C 7/24; A47C 7/282;
A47C 7/285; A47C 7/40; A47C 7/44;
A47C 7/54

See application file for complete search history.

(56) **References Cited**

U.S. PATENT DOCUMENTS

D596,885 S * 7/2009 Su D6/716.4
D613,085 S * 4/2010 Fujita D6/366
D613,086 S * 4/2010 Fujita D6/366
D701,068 S * 3/2014 Usumoto D6/716
D714,070 S * 9/2014 Cvek D6/366

D745,300 S * 12/2015 Cvek D6/366
D745,301 S * 12/2015 Cvek D6/716
D763,587 S * 8/2016 Neil D6/366
D772,592 S * 11/2016 Su D6/366
D773,199 S * 12/2016 Neil D6/366

* cited by examiner

Primary Examiner — Mimoso De

(74) *Attorney, Agent, or Firm* — Muncy, Geissler, Olds & Lowe, P.C.

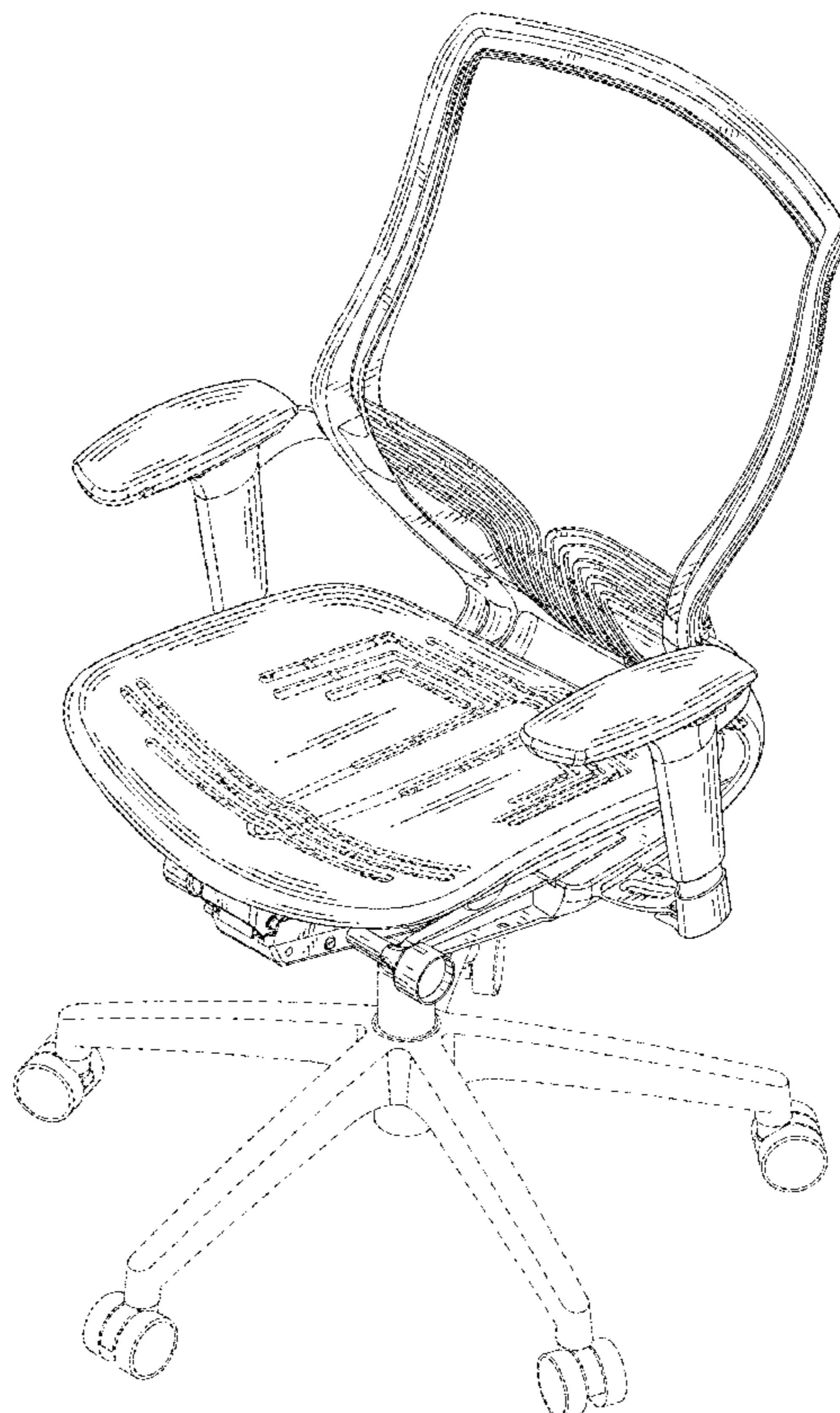
(57) **CLAIM**

I claim the ornamental design for a chair frame, as shown and described.

DESCRIPTION

FIG. 1 is a perspective view of a chair frame showing my new design;
FIG. 2 is a front elevational view thereof;
FIG. 3 is a rear elevational view thereof;
FIG. 4 is a left side view thereof;
FIG. 5 is a right side view thereof;
FIG. 6 is a top plan view thereof;
FIG. 7 is a bottom plan view thereof;
FIG. 8 is a front, left, and bottom perspective view thereof; and,
FIG. 9 is a rear, left, and top perspective view of an embodiment showing the chair frame in use along with the cushions in broken lines.
The broken lines in the drawings illustrate portions of the chair frame which form no part of the claimed design.

1 Claim, 9 Drawing Sheets



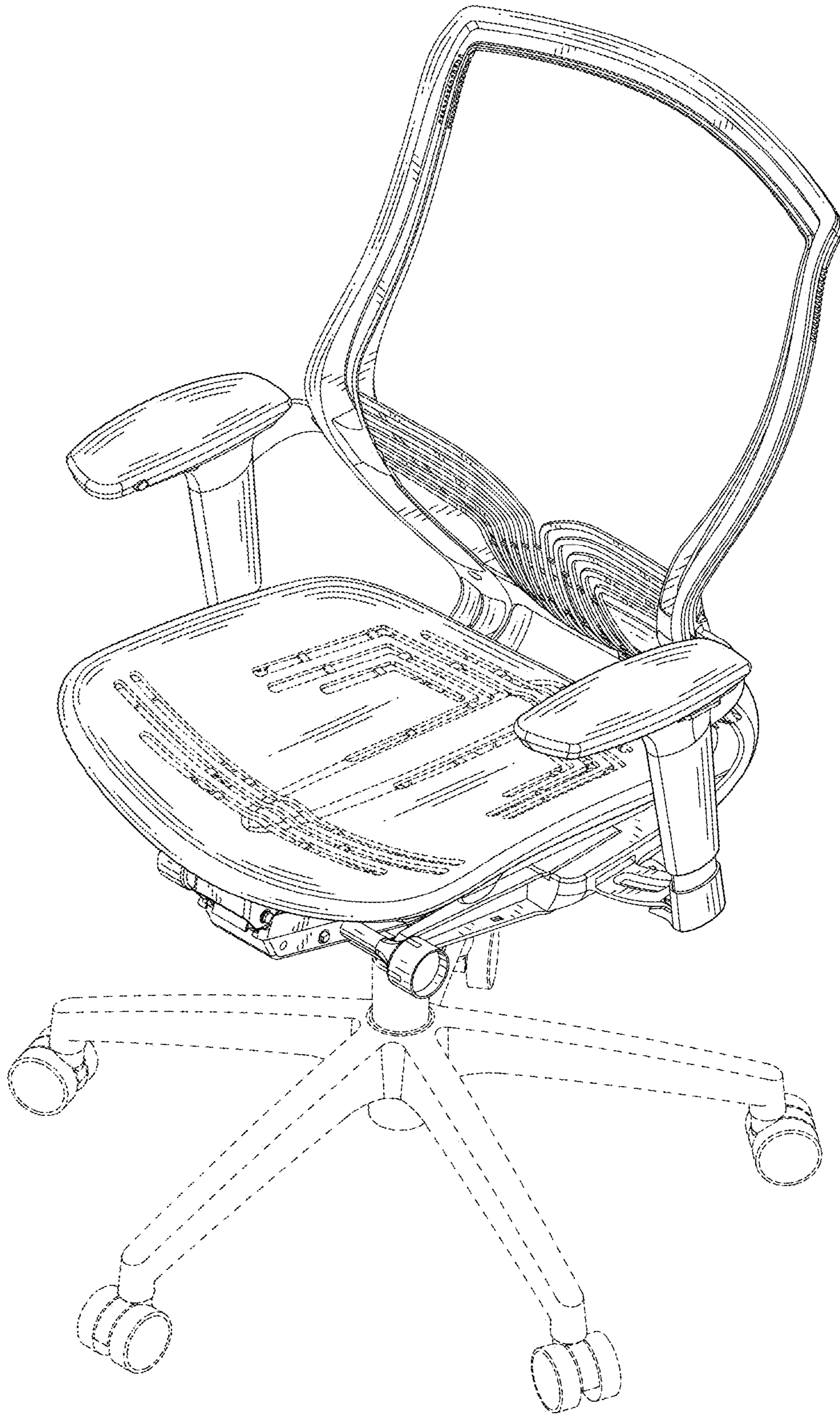


FIG. 1

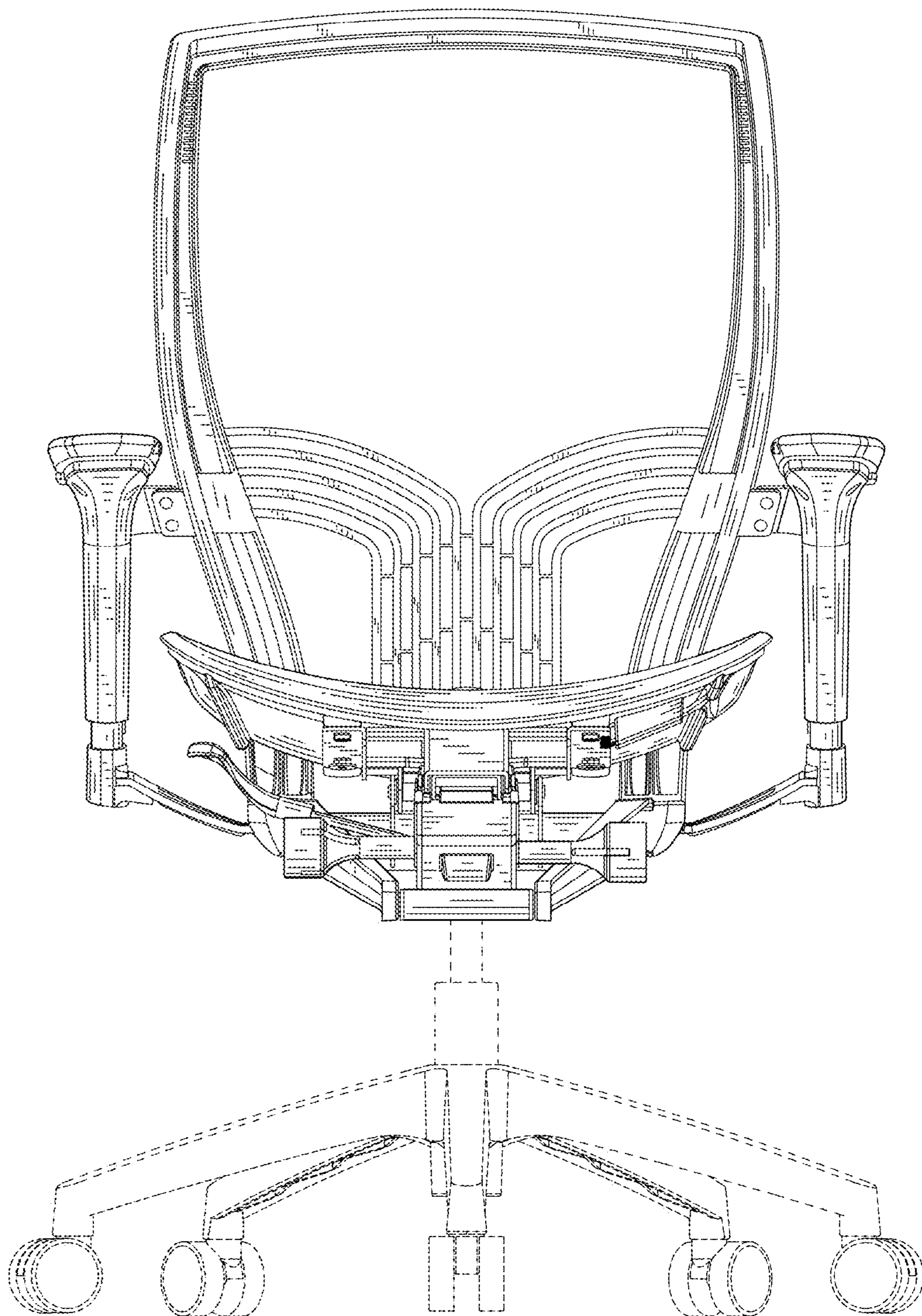


FIG. 2

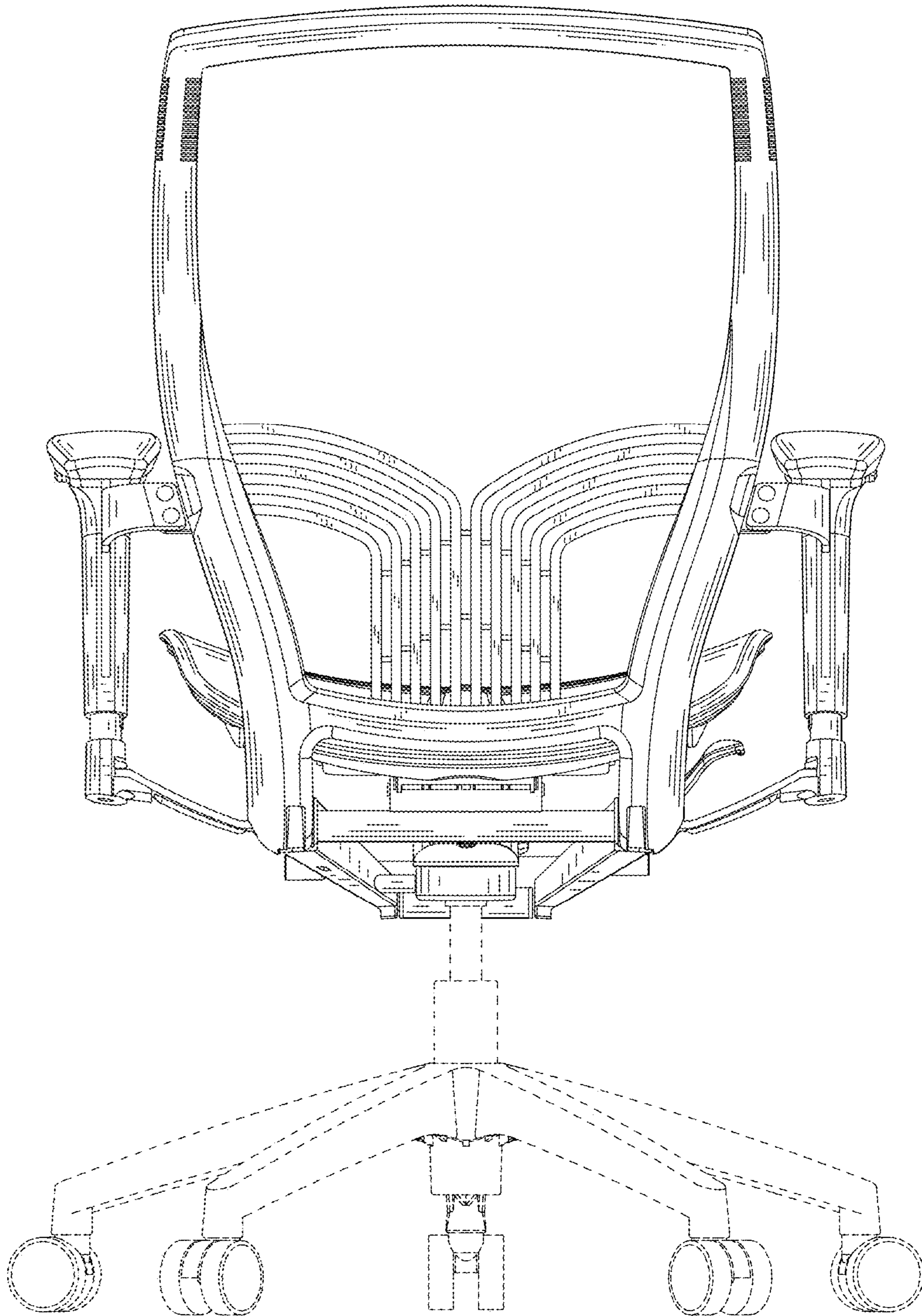


FIG. 3

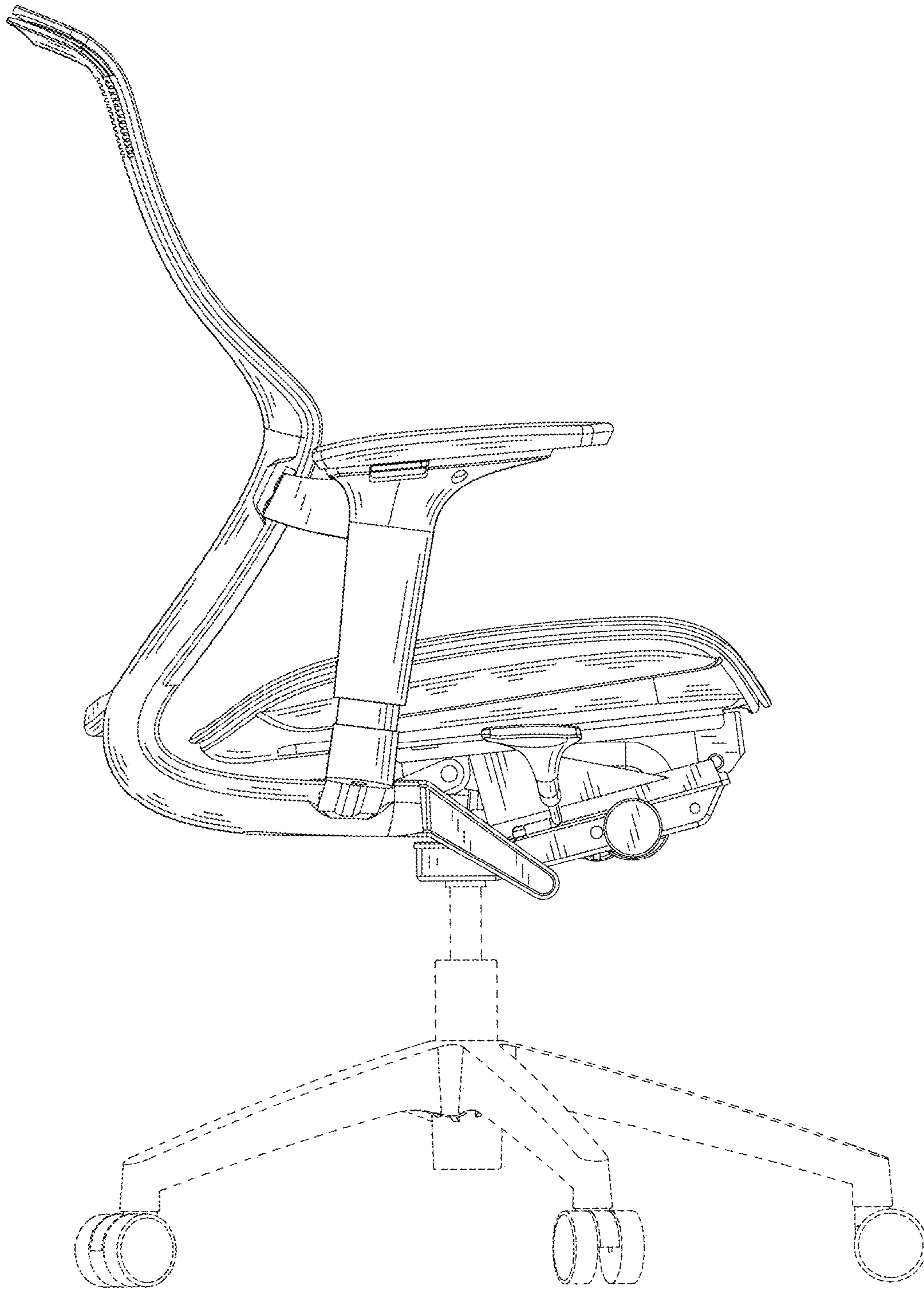


FIG. 4

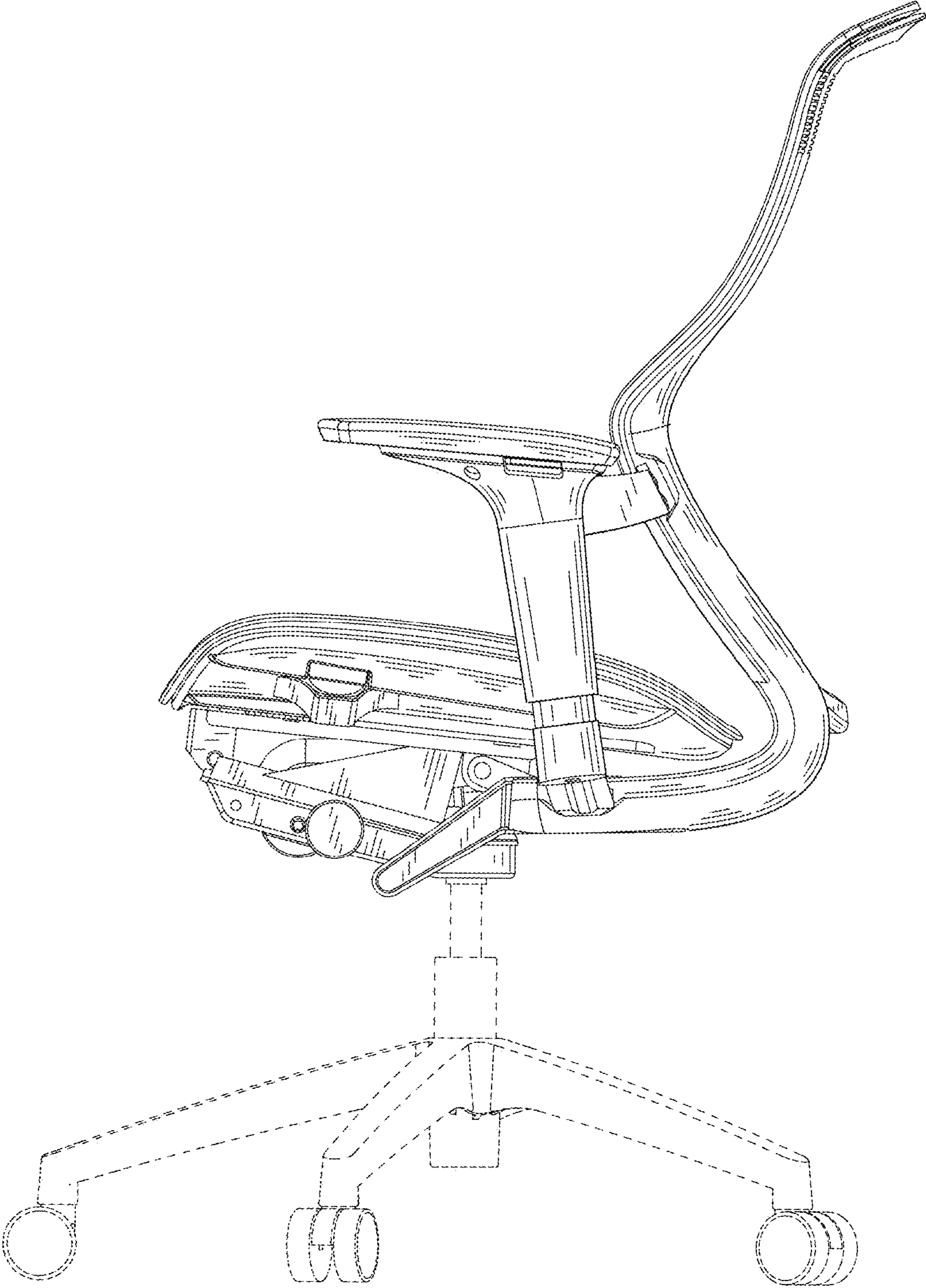


FIG. 5

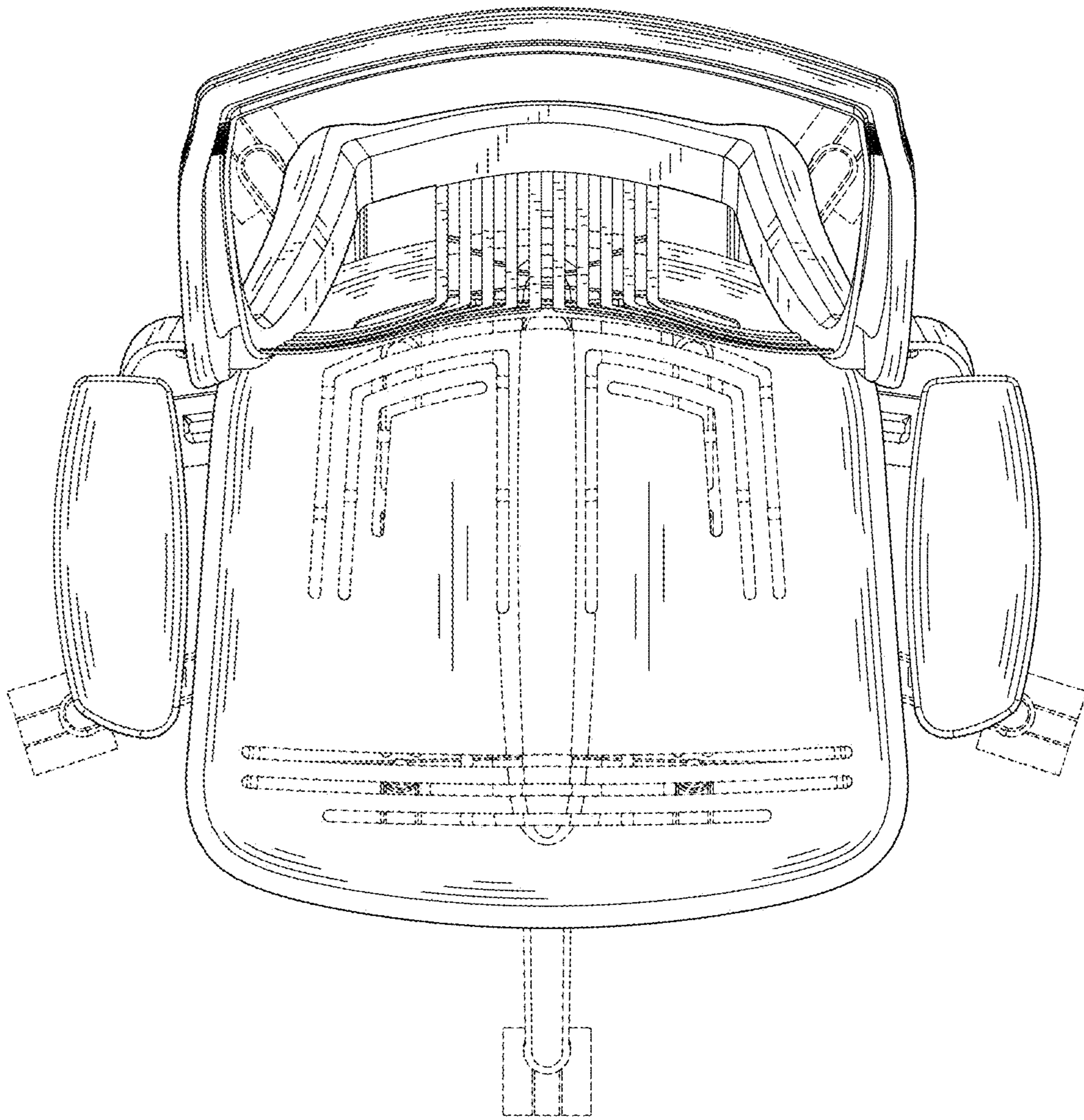


FIG. 6

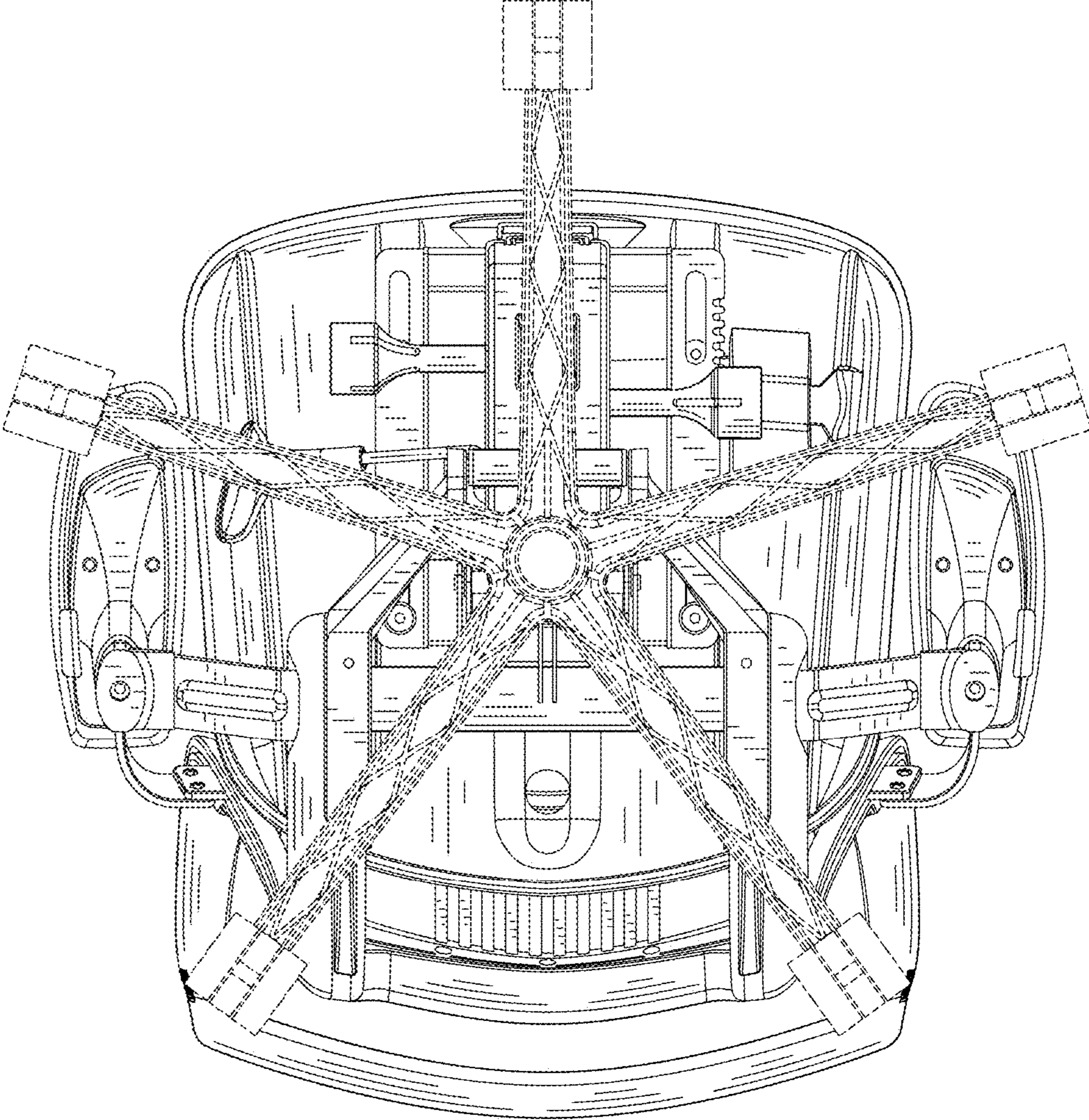


FIG. 7

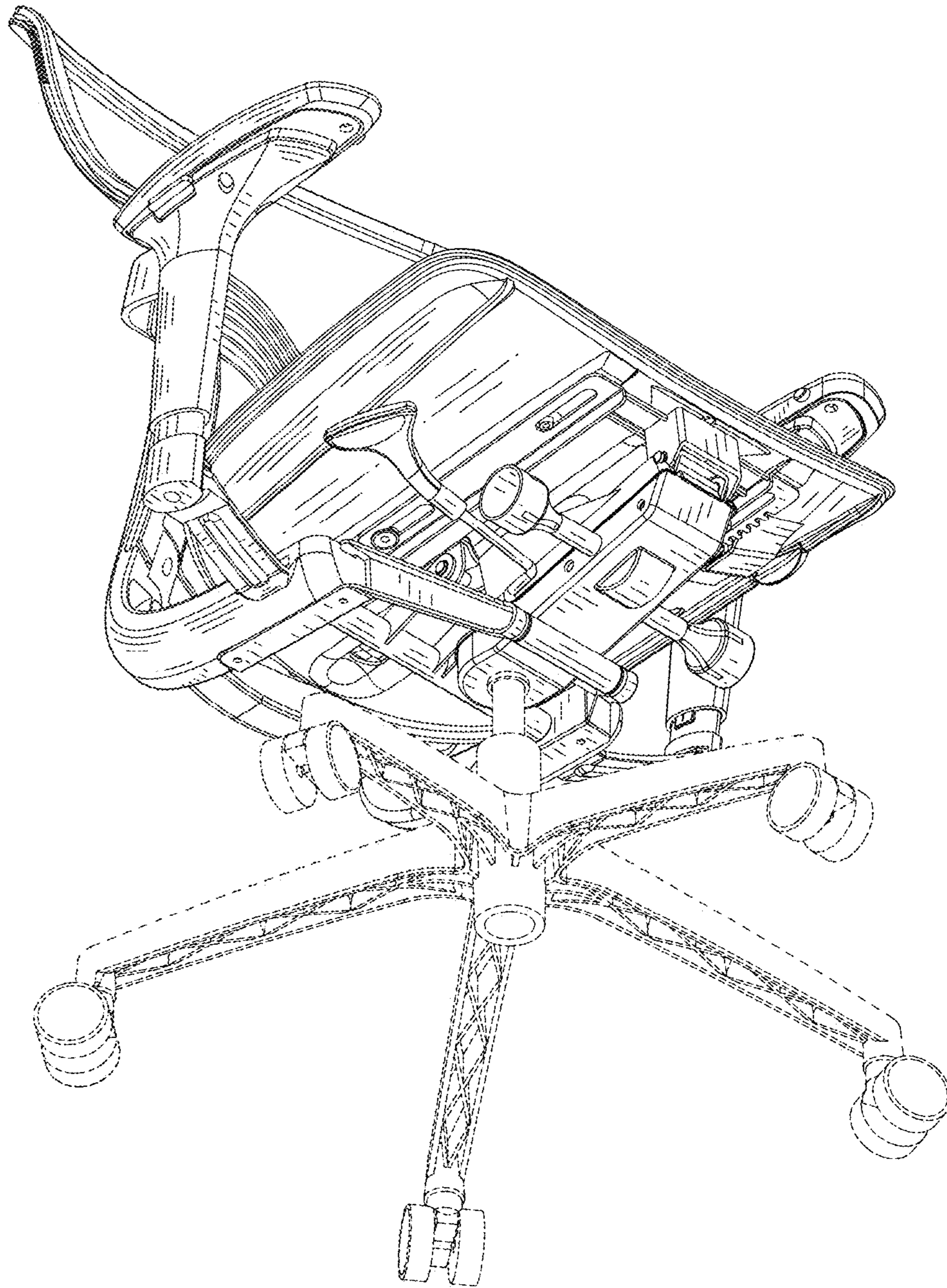


FIG. 8

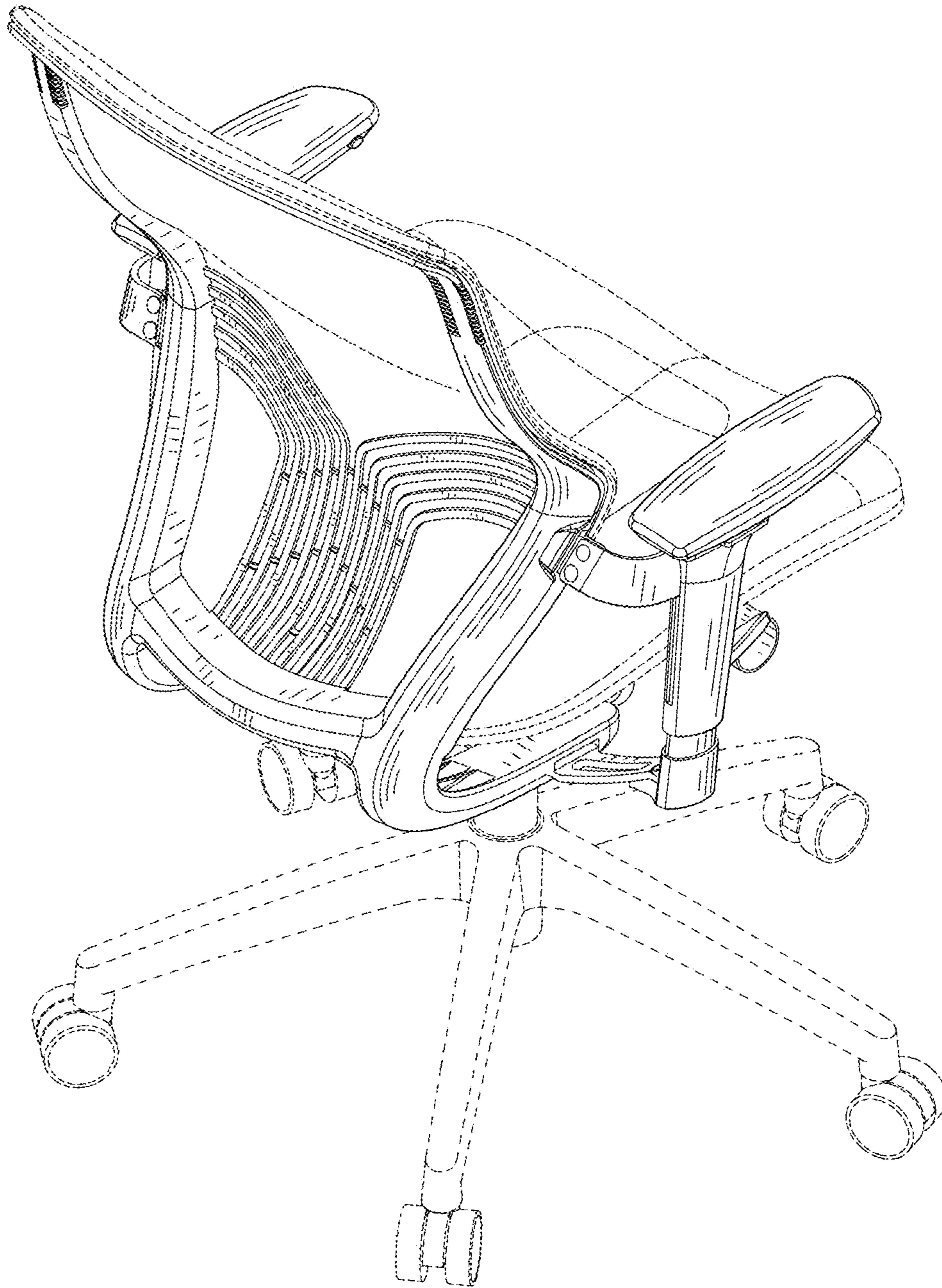


FIG. 9