



US00D875449S

(12) **United States Design Patent**
Powell et al.

(10) **Patent No.:** **US D875,449 S**
(45) **Date of Patent:** **** Feb. 18, 2020**

- (54) **TABLE**
- (71) Applicant: **Assa Group, Inc.**, Lowell, MI (US)
- (72) Inventors: **David J. Powell**, Lowell, MI (US);
Ryan D. Sullivan, Grand Rapids, MI (US)
- (73) Assignee: **Assa Group, Inc.**, Lowell, MI (US)
- (**) Term: **15 Years**
- (21) Appl. No.: **29/650,985**
- (22) Filed: **Jun. 11, 2018**
- (51) **LOC (12) Cl.** **06-06**
- (52) **U.S. Cl.**
USPC **D6/708.2**
- (58) **Field of Classification Search**
USPC D6/641, 642, 656, 656.16, 656.17, 702,
D6/708, 708.16, 709, 709.2, 709.21,
D6/709.22
CPC A47B 7/00; A47B 9/00; A47B 9/02; A47B
9/04; A47B 9/01; A47B 9/12; A47B 9/20;
A47B 13/00; A47B 13/003; A47B 13/02;
A47B 13/04; A47B 13/06; A47B 13/08;
A47B 21/00; A47B 2200/0001; A47B
2200/0011; A47B 2200/002; A47B
2200/0029
See application file for complete search history.

- D530,543 S * 10/2006 High A47B 7/02
D6/656.17
 - D640,075 S * 6/2011 Petrick D6/656.17
 - D644,855 S * 9/2011 Saito D6/656.17
 - D644,860 S * 9/2011 Saito A47B 21/02
D6/656.17
 - D693,152 S * 11/2013 Yamamoto D6/656.15
 - D839,638 S * 2/2019 Krusin D6/656.17
 - 2015/0118010 A1 * 4/2015 Krusin A47B 7/02
414/801
 - 2019/0261772 A1 * 8/2019 Lin A47B 21/02
- * cited by examiner

Primary Examiner — Mary Ann Calabrese
(74) *Attorney, Agent, or Firm* — Oppenhuizen Law PLC;
David L. Oppenhuizen

(57) **CLAIM**

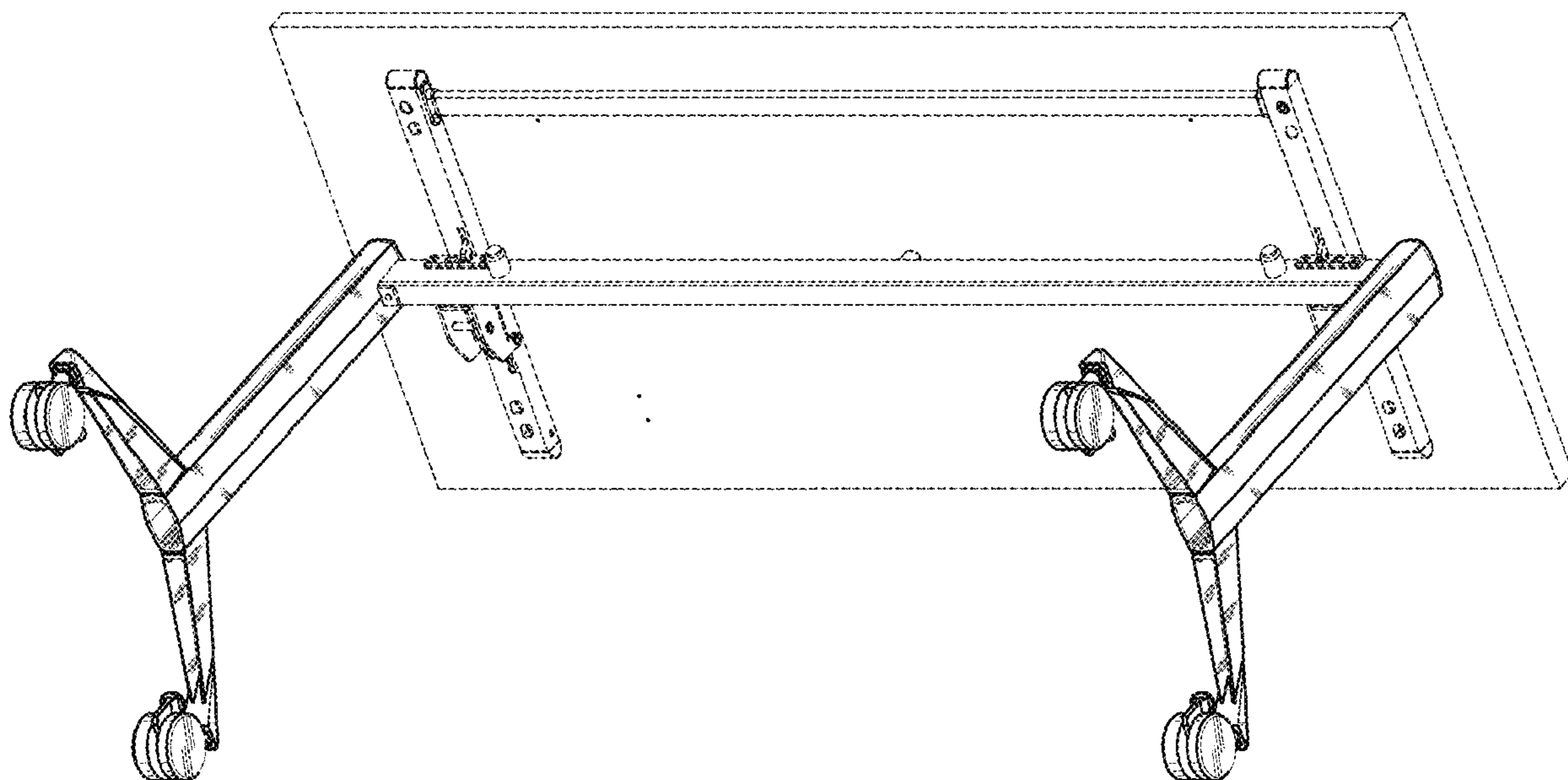
The ornamental design for a table, as shown and described.

DESCRIPTION

FIG. 1 is a bottom perspective view of a table showing the new design;
FIG. 2 is a front view;
FIG. 3 is a rear view;
FIG. 4 is a top view;
FIG. 5 is a bottom view;
FIG. 6 is a left view;
FIG. 7 is a right view;
FIG. 8 is an enlarged fragmentary top perspective view showing the one of legs hereof; and,
FIG. 9 is an enlarged fragmentary bottom perspective view showing the one of the legs hereof.
The dashed broken lines represent structure or features that form no part of the claimed design.

1 Claim, 9 Drawing Sheets

- (56) **References Cited**
U.S. PATENT DOCUMENTS
D332,887 S * 2/1993 Fjello-Jensen D6/708
D489,551 S * 5/2004 Cesaroni D6/656.17
D492,505 S * 7/2004 Newhouse D6/691.5



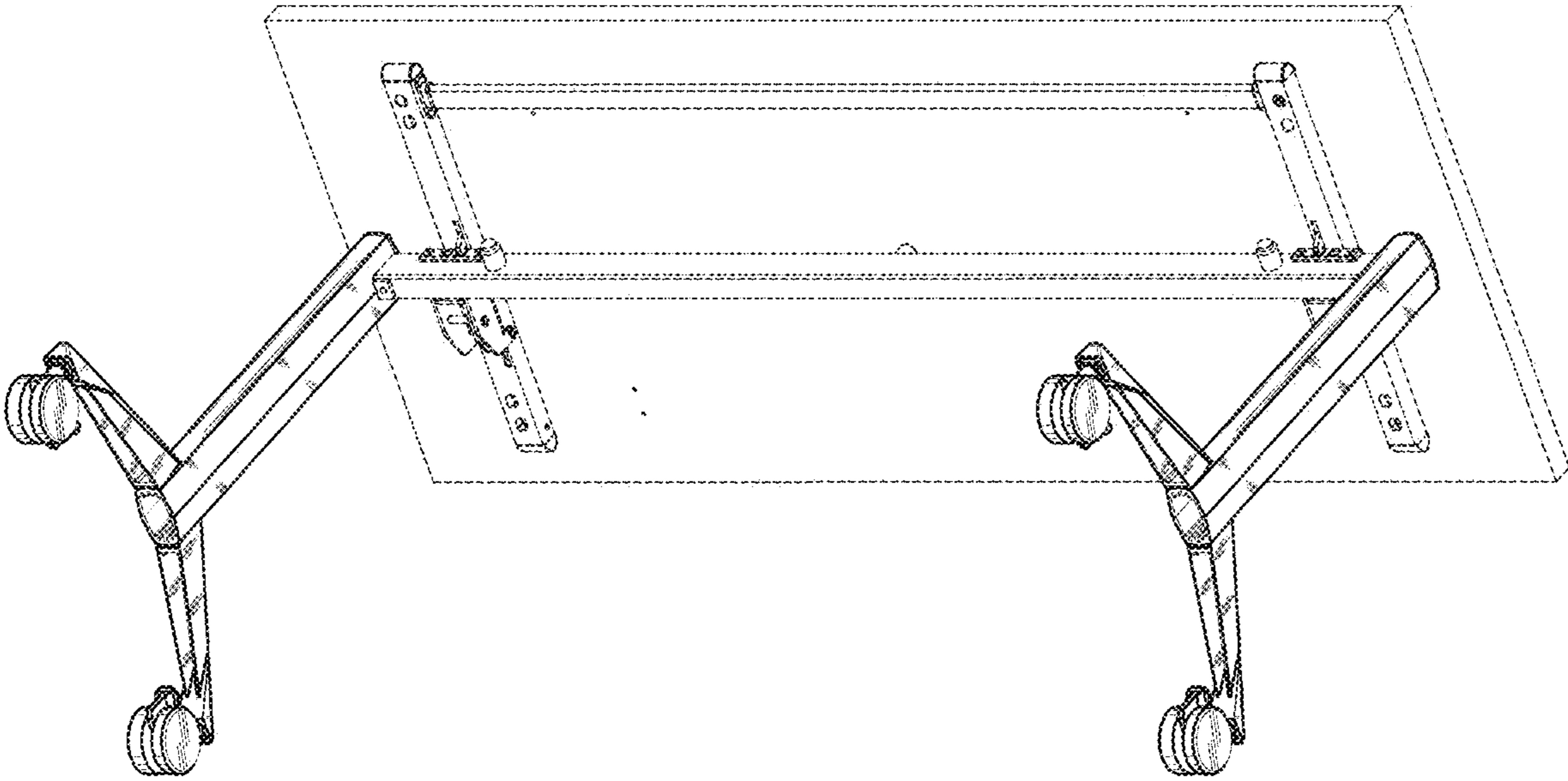


FIG. 1

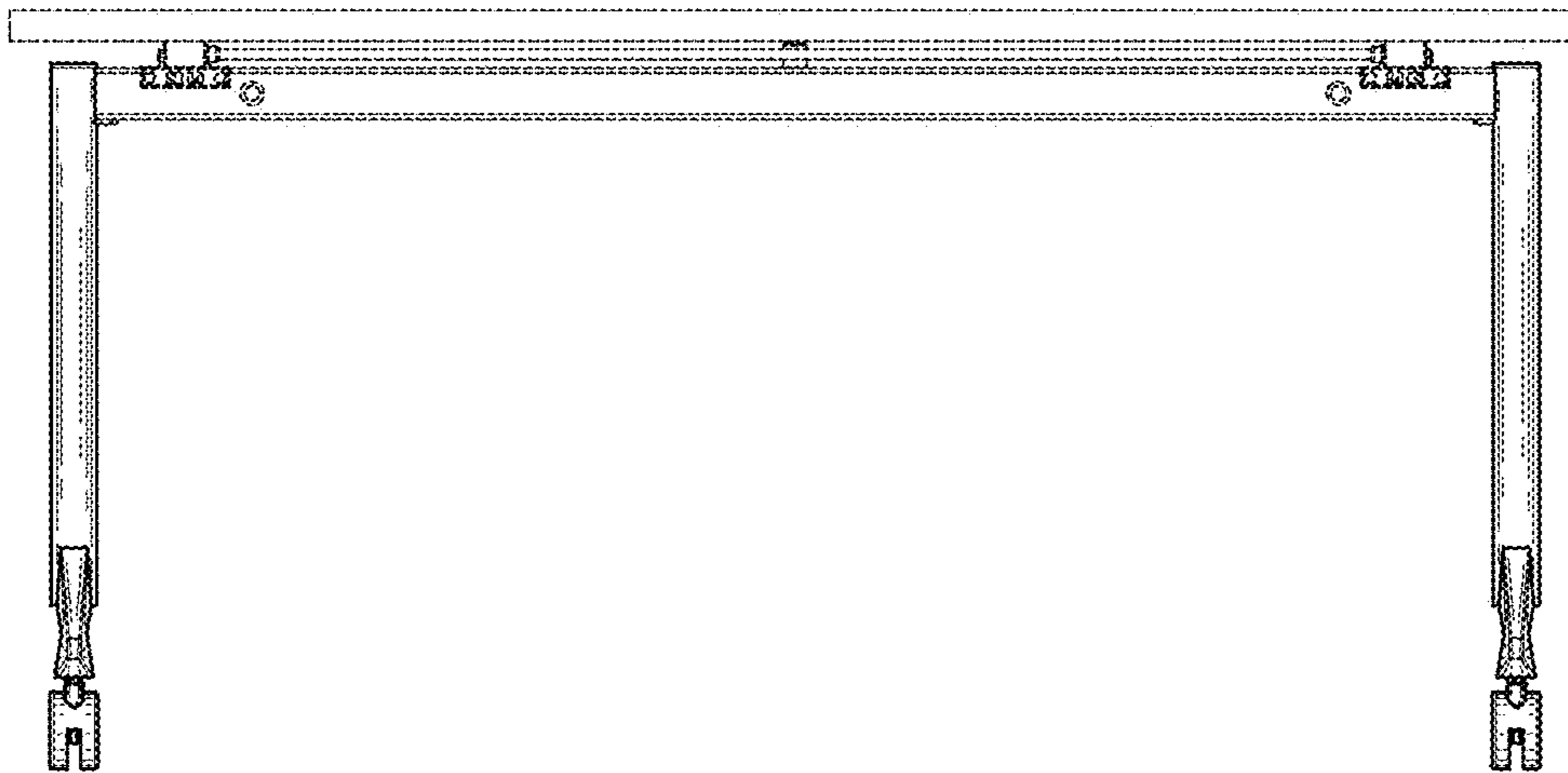


FIG. 2

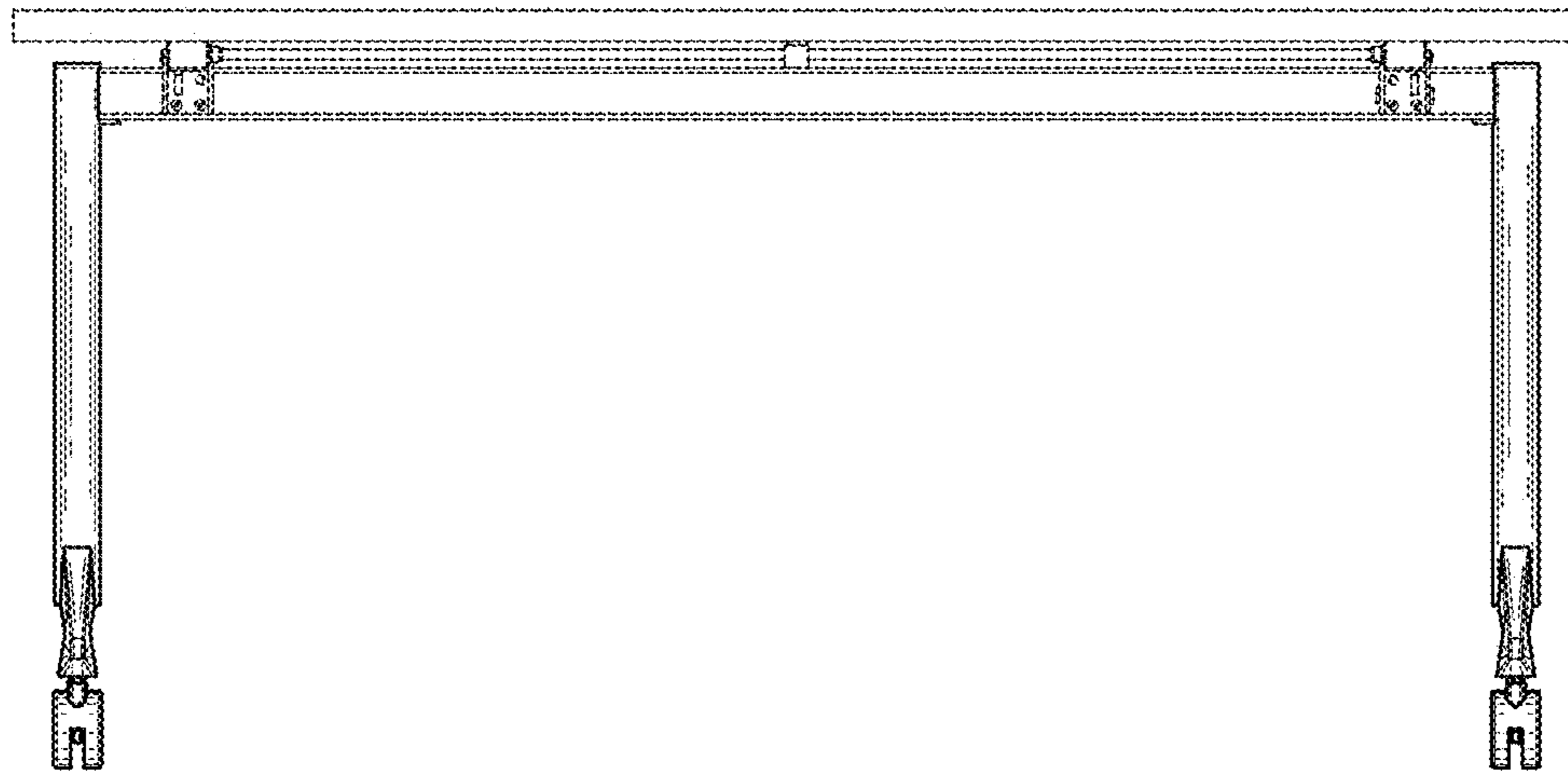


FIG. 3



FIG. 4

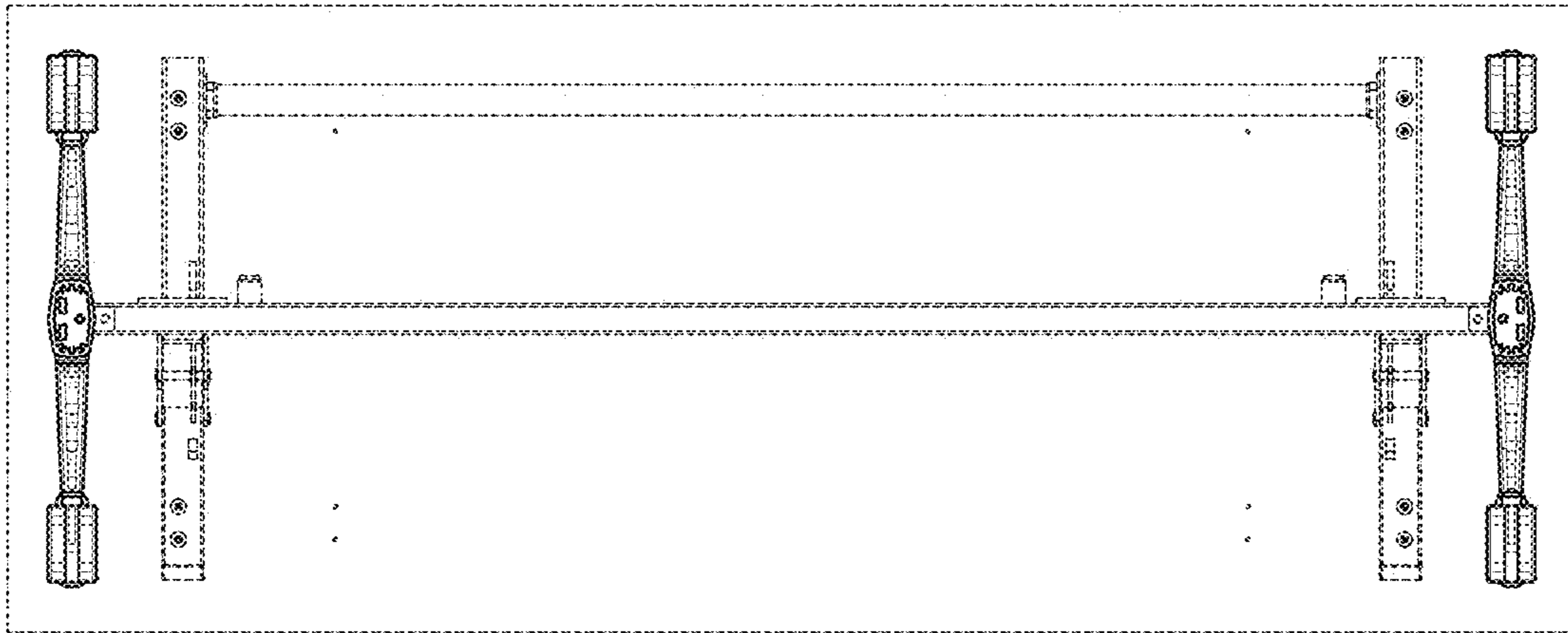


FIG. 5

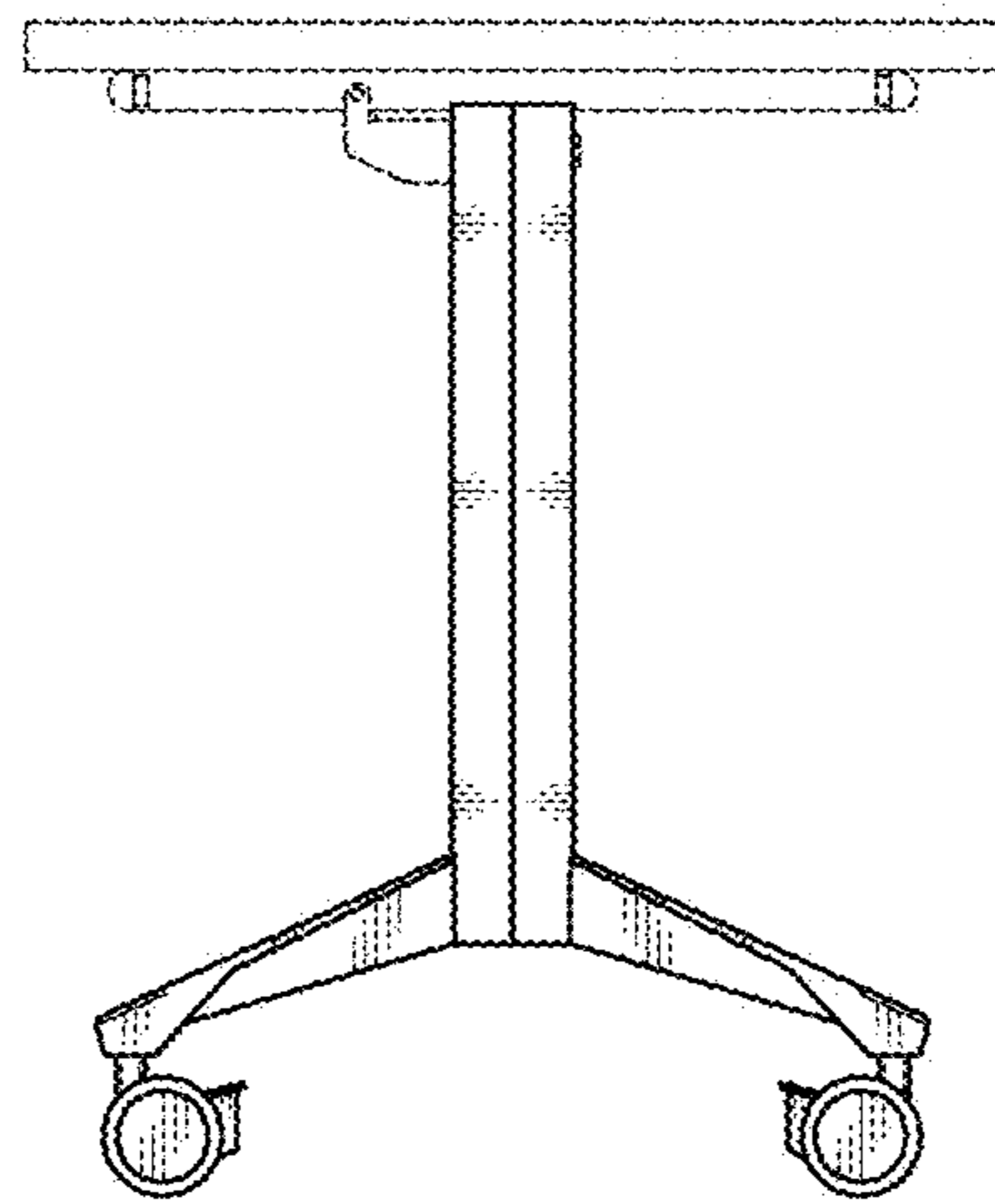


FIG. 6

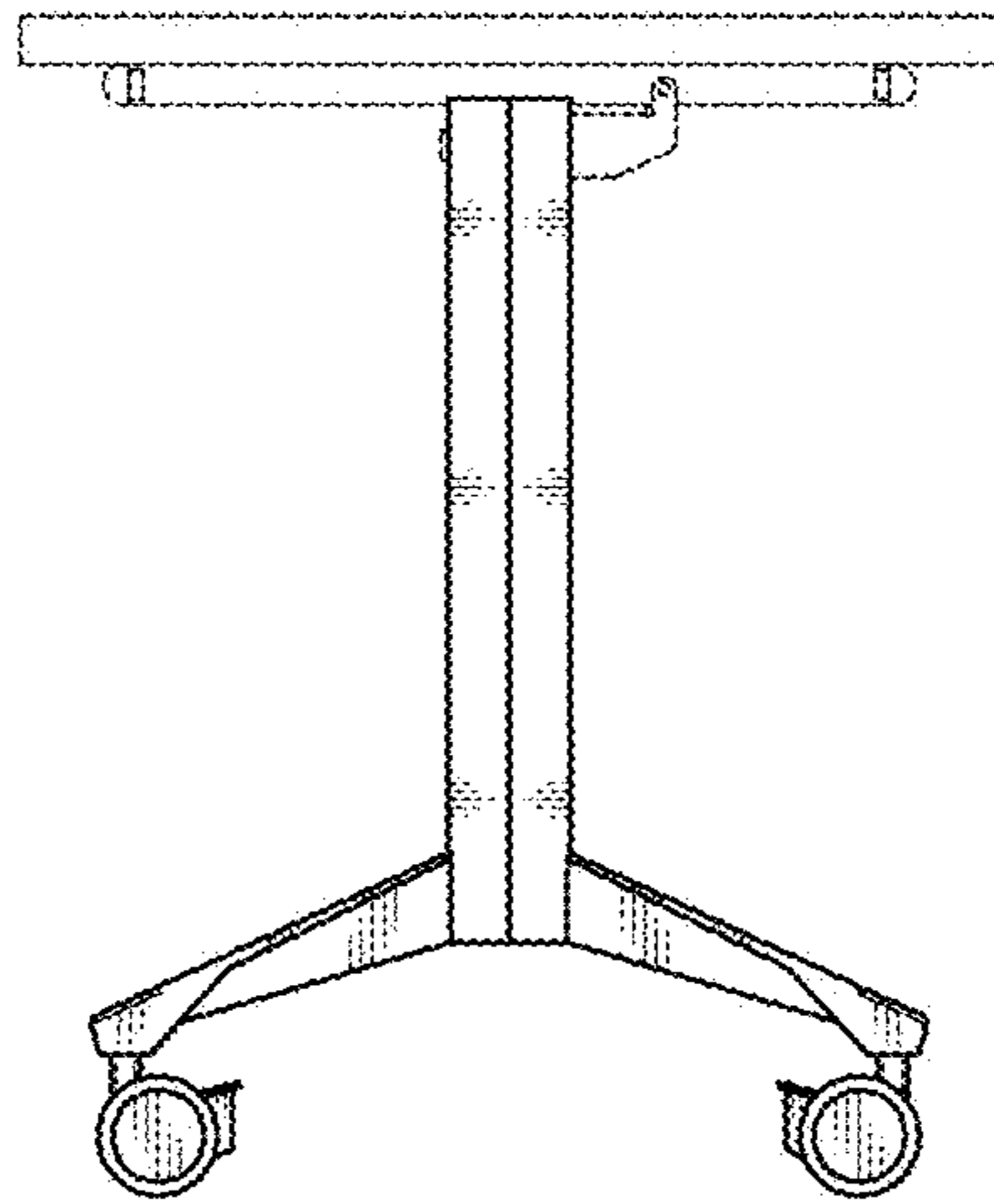


FIG. 7

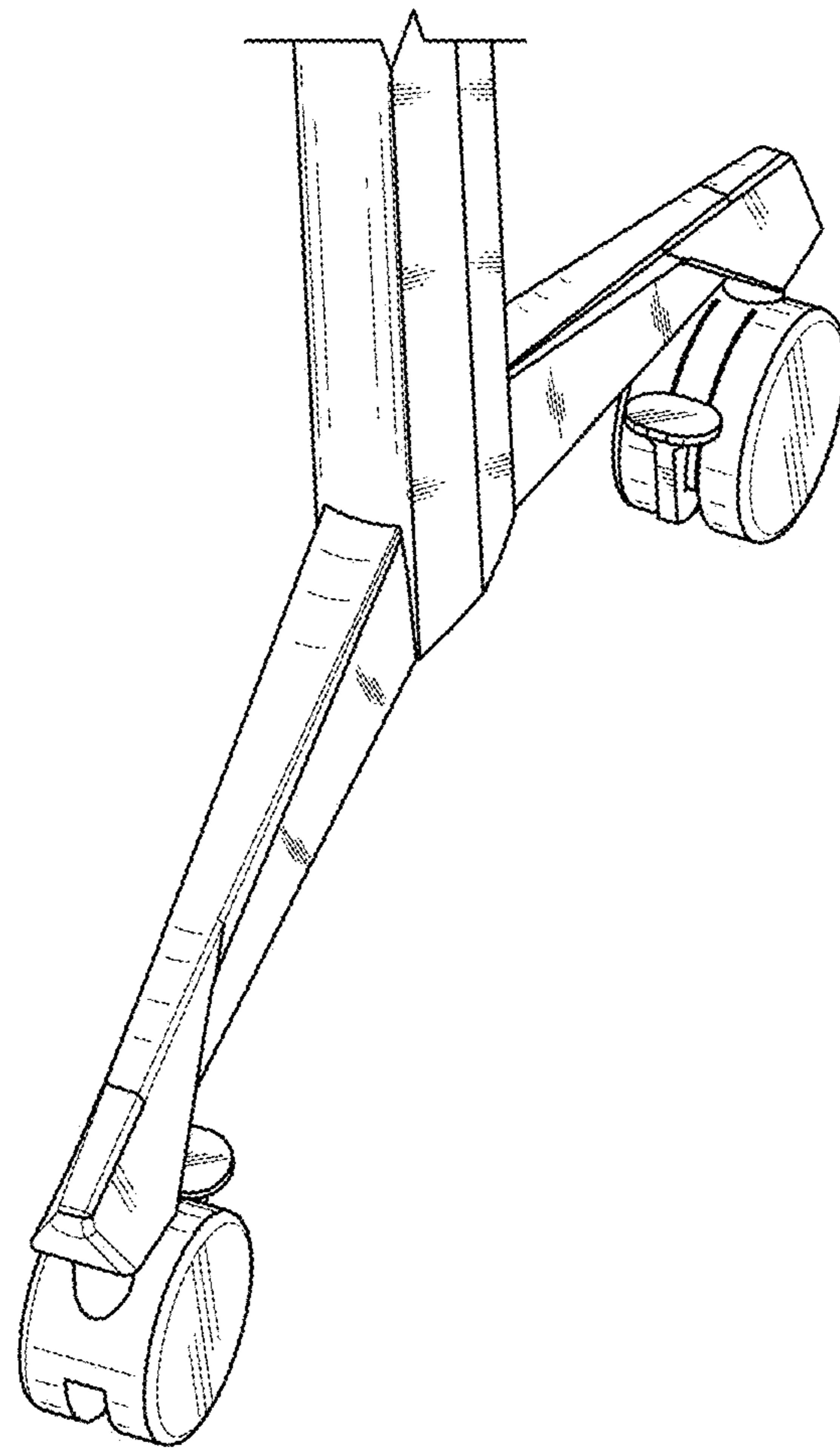


FIG. 8

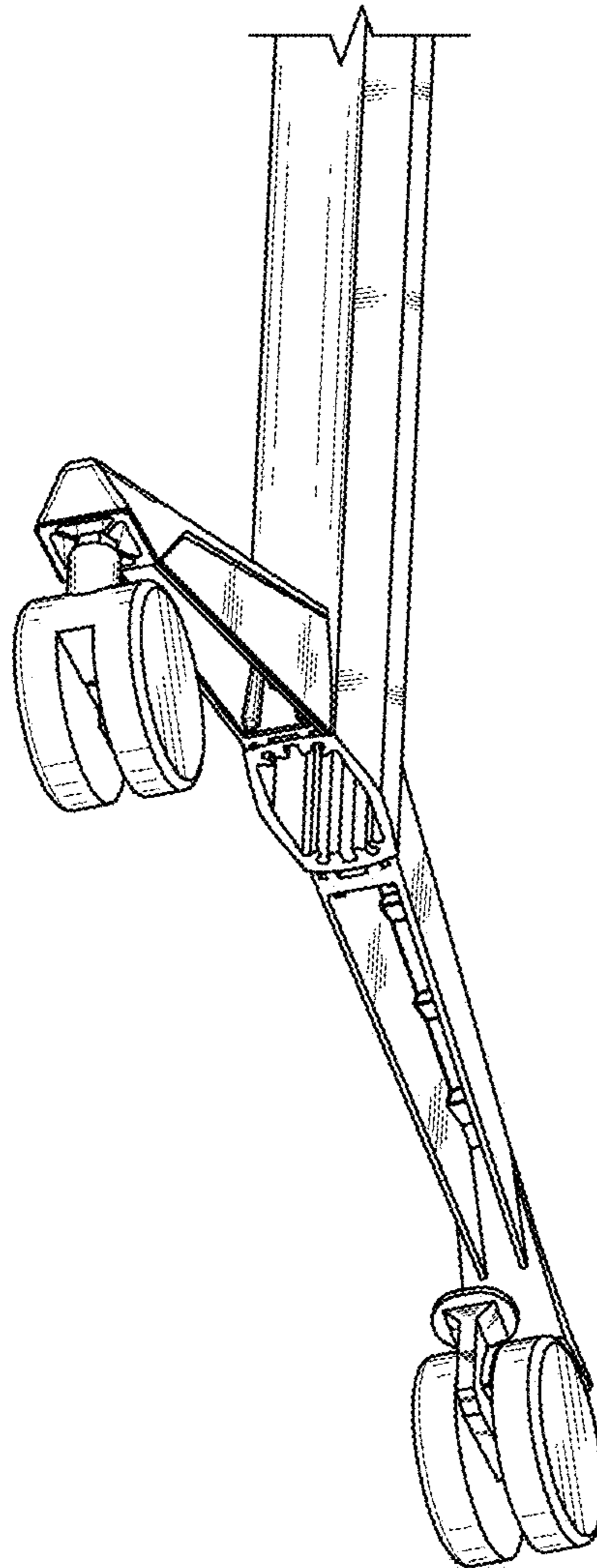


FIG. 9