



US00D875448S

(12) **United States Design Patent** (10) **Patent No.:** **US D875,448 S**
Reinhart et al. (45) **Date of Patent:** **** Feb. 18, 2020**

(54) **SHELF ASSEMBLY**
(71) Applicant: **CREATIVE PLASTIC CONCEPTS, LLC**, Sycamore, OH (US)
(72) Inventors: **Nickolas Reinhart**, Findlay, OH (US); **Jacob H. Whitta**, Findlay, OH (US)
(73) Assignee: **Creative Plastic Concepts, LLC**, Sycamore, OH (US)

D777,480 S * 1/2017 Anderson D6/675.2
D777,491 S * 1/2017 Brooks D6/705.7
9,717,330 B2 8/2017 Reinhart
D798,090 S * 9/2017 Fitzgerald D6/705.6
D824,114 S * 7/2018 Couse D30/119
10,124,479 B2 11/2018 Reinhart
D848,190 S * 5/2019 Ni D6/705.7
D859,893 S * 9/2019 Fitzgerald D6/675.2
2017/0290428 A1 10/2017 Reinhart
2019/0069676 A1 * 3/2019 Hanlon A47B 47/0083

* cited by examiner

(**) Term: **15 Years**

Primary Examiner — Kelley A Donnelly

(21) Appl. No.: **29/664,922**

(74) Attorney, Agent, or Firm — Jacob M. Ward; Ward Law Office LLC

(22) Filed: **Sep. 28, 2018**

(51) **LOC (12) Cl.** **06-06**

(52) **U.S. Cl.**

USPC **D6/705.7**

(58) **Field of Classification Search**

USPC D6/705, 705.2, 705.5, 705.7; D7/402, D7/409; D24/224, 227, 230

CPC A47B 57/00; A47B 57/265; A47B 96/00; A47B 96/02; A47F 5/0043; A47F 1/00

See application file for complete search history.

(56) **References Cited**

U.S. PATENT DOCUMENTS

D241,297 S * 9/1976 Maslow et al. D6/705.7
D312,545 S * 12/1990 Cohn D30/120
D338,792 S * 8/1993 Chap D30/120
D341,967 S * 12/1993 Cohn D6/705.7
D375,857 S * 11/1996 De Blois D6/705.7
D383,339 S * 9/1997 Grosfillex D6/705.7
D385,444 S * 10/1997 Welch D6/705.7
9,474,374 B2 10/2016 Reinhart
D775,883 S * 1/2017 Mason D6/705

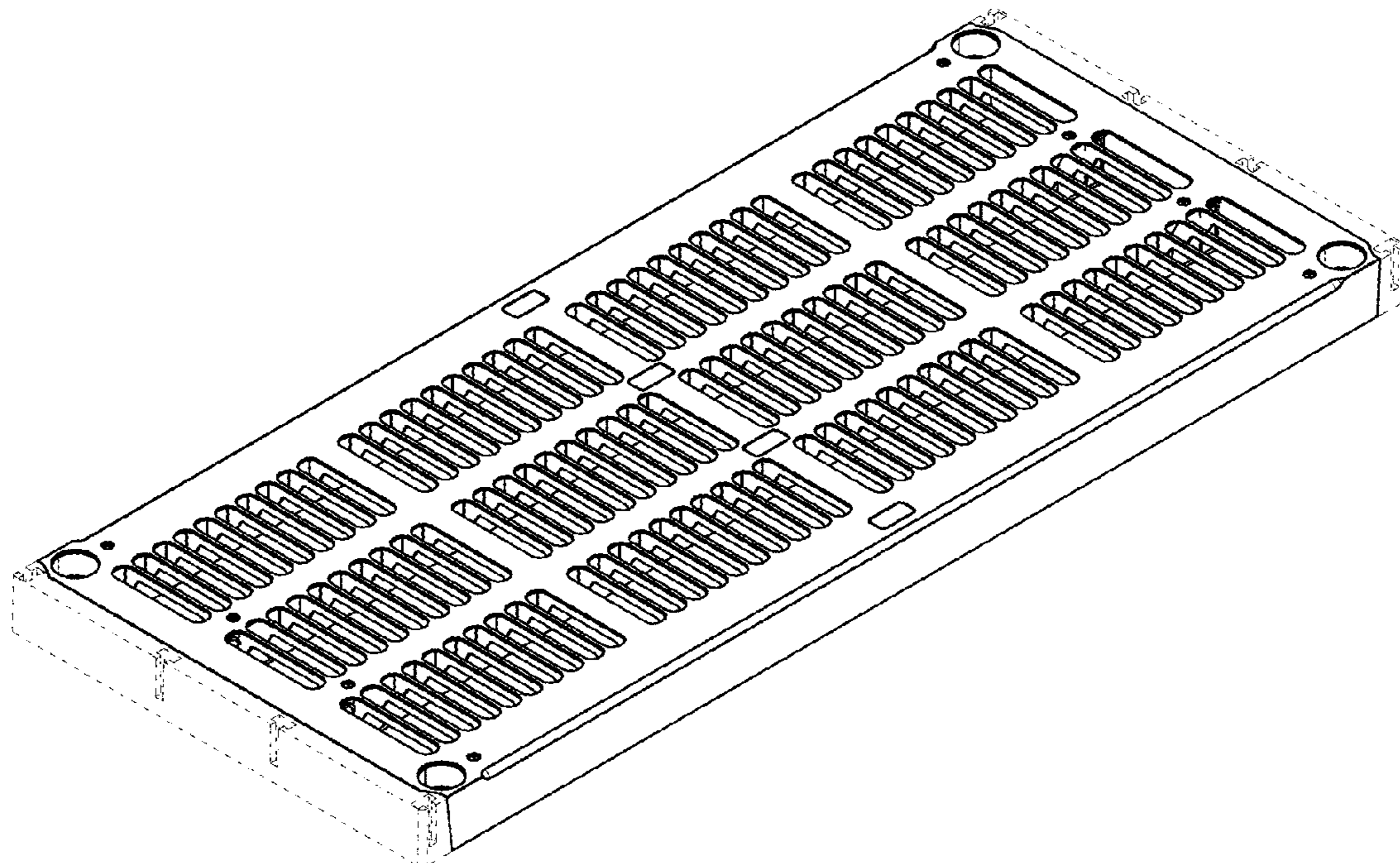
(57) **CLAIM**

The ornamental design for a shelf assembly, as shown and described.

DESCRIPTION

FIG. 1 is a top perspective view of a shelf assembly; FIG. 2 is a bottom perspective view thereof; FIG. 3 is a top plan view thereof; FIG. 4 is a bottom plan view thereof; FIG. 5 is a right side elevational view thereof; and, FIG. 6 is a front elevational view thereof. A left side elevational view is not shown because it is identical to the right side elevational view shown in FIG. 5. A rear elevational view is not shown because it is identical to the front elevational view shown in FIG. 6. The ornamental design which is claimed is shown in solid lines in the drawings. The broken lines shown in the drawings are for the purpose of illustrating environmental structure and form no part of the claimed design.

1 Claim, 3 Drawing Sheets



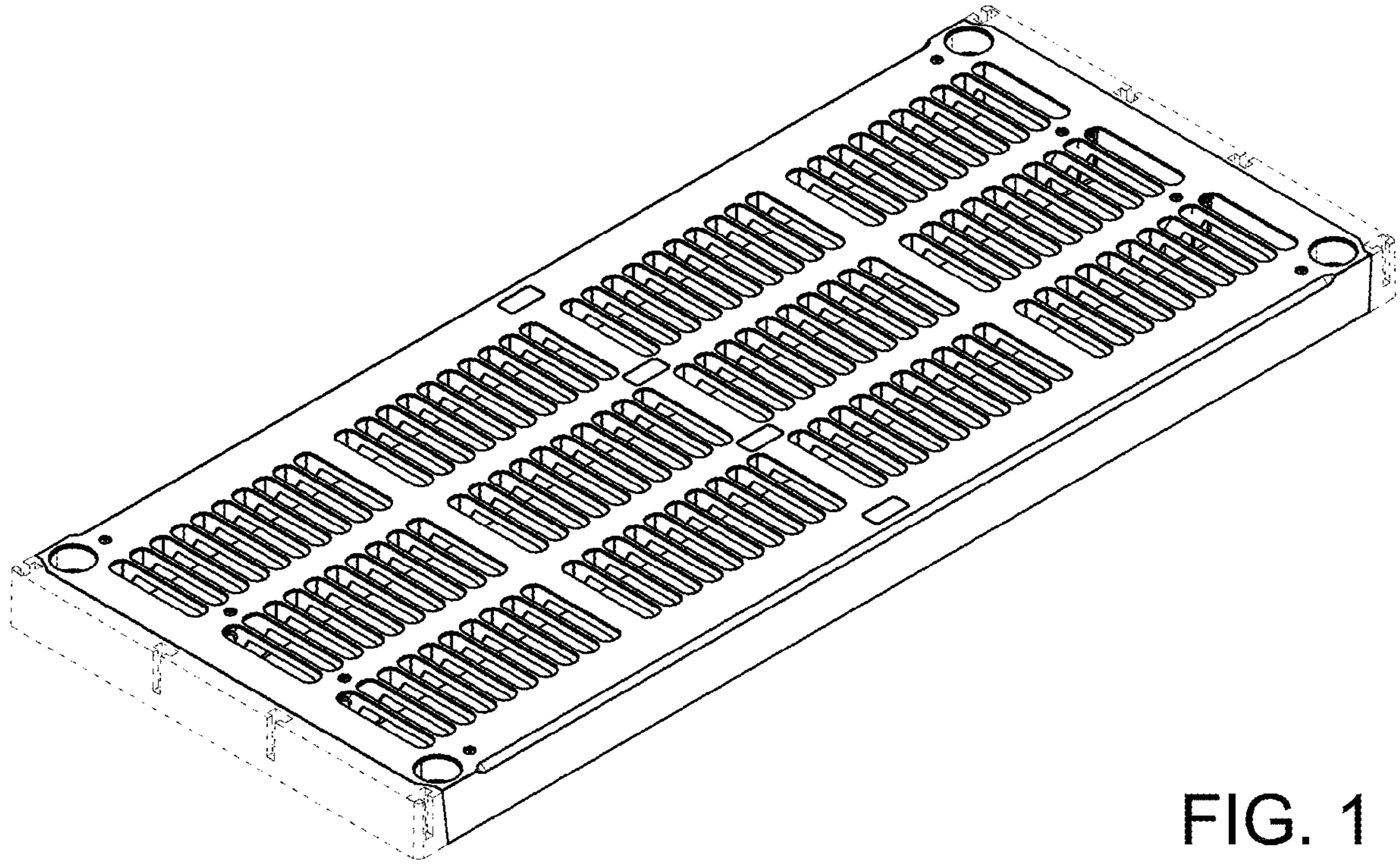


FIG. 1

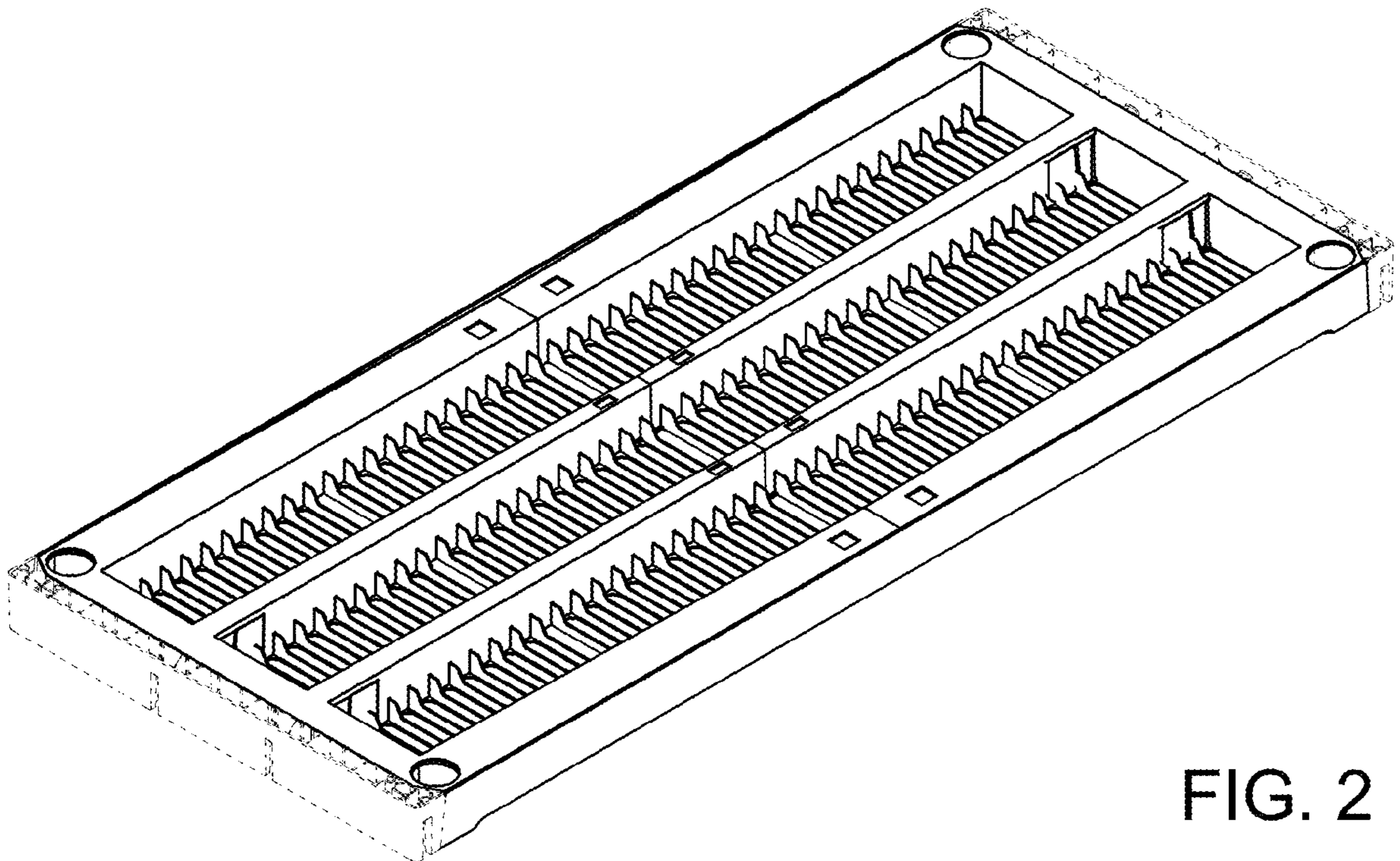


FIG. 2

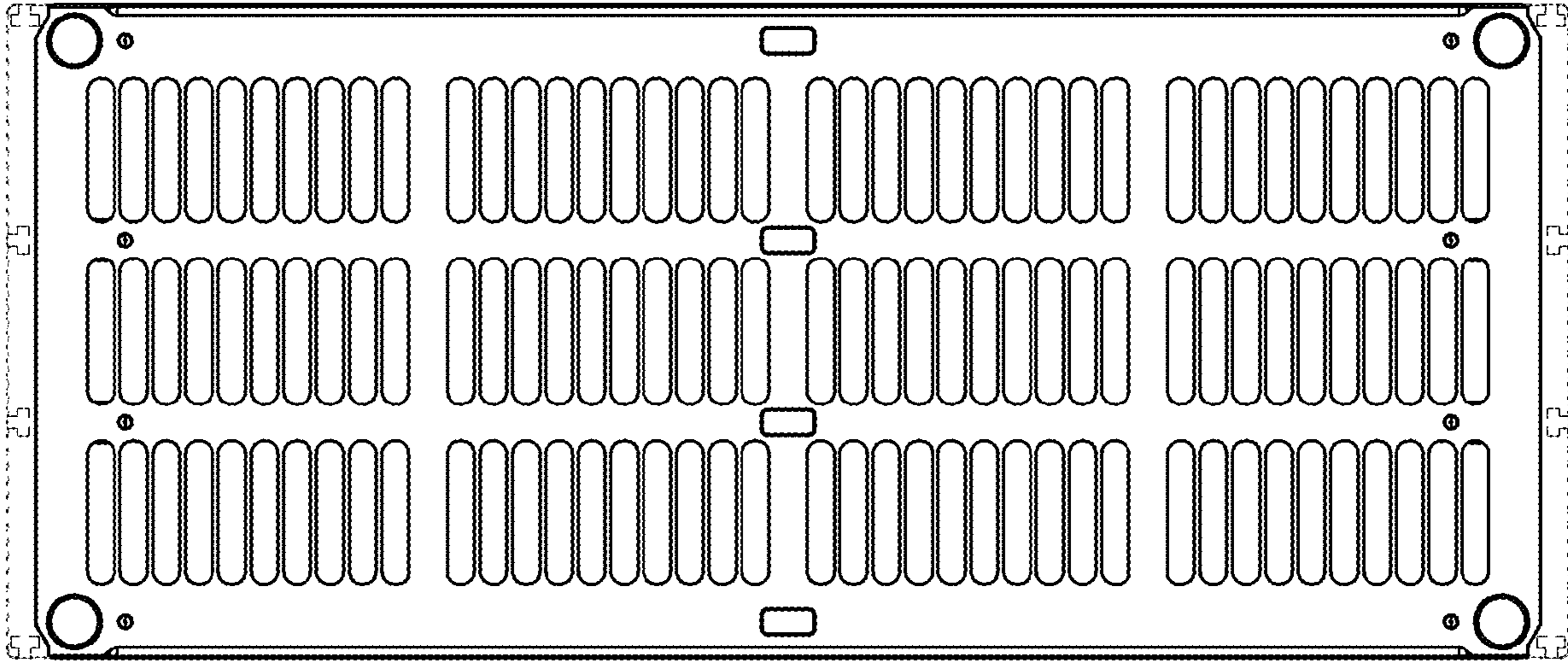


FIG. 3

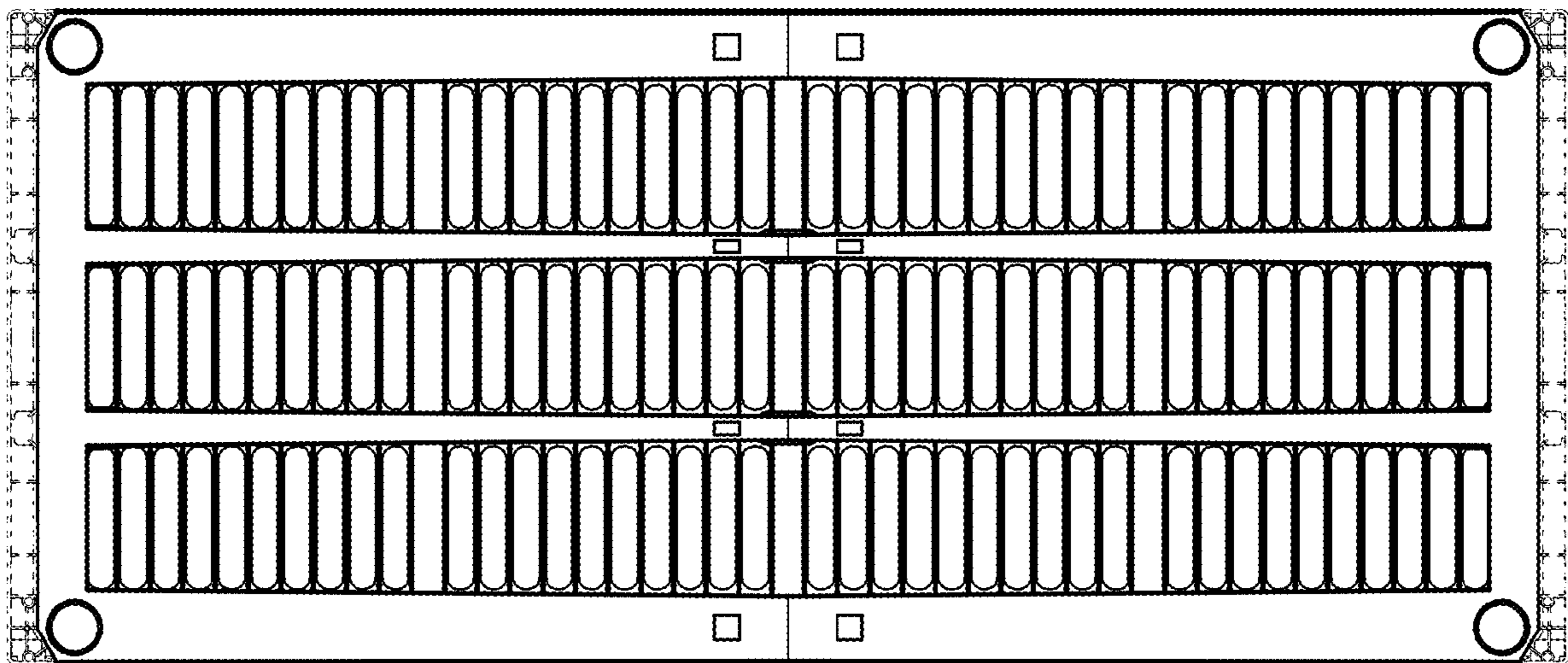


FIG. 4



FIG. 5



FIG. 6