



US00D875447S

(12) **United States Design Patent**
Piva

(10) **Patent No.:** **US D875,447 S**

(45) **Date of Patent:** **** Feb. 18, 2020**

(54) **TABLE**

(71) Applicant: **RUBELLI S.P.A.**, Venice (IT)

(72) Inventor: **Marco Piva**, Milan (IT)

(73) Assignee: **Rubelli S.p.A.**, Venice (IT)

(**) Term: **15 Years**

(21) Appl. No.: **35/504,925**

(22) Filed: **Apr. 17, 2018**

(80) **Hague Agreement Data**

Int. Filing Date: **Apr. 17, 2018**

Int. Reg. No.: **DM/100889**

Int. Reg. Date: **Apr. 17, 2018**

Int. Reg. Pub. Date: **May 11, 2018**

(51) **LOC (12) Cl.** **06-03**

(52) **U.S. Cl.**
USPC **D6/692.1**

(58) **Field of Classification Search**

USPC D6/349, 641, 685-687, 692, 692.1-692.6

CPC A47B 7/00; A47B 7/02; A47B 9/00; A47B

13/00; A47B 13/003; A47B 13/02; A47B

13/04; A47B 13/06; A47B 13/08; A47B

13/12; A47B 21/00; A47B 2200/0001;

A47B 2200/0011; A47B 2200/002

See application file for complete search history.

(56) **References Cited**

U.S. PATENT DOCUMENTS

1,652,942 A * 12/1927 James A47B 3/12
108/159

D222,624 S * 11/1971 Giafagna D6/692.6

D236,785 S * 9/1975 Smith D6/692.6

D258,104 S * 2/1981 Baker D6/692

D554,394 S * 11/2007 Jaramillo D6/692.1

D747,904 S * 1/2016 Haynes D6/692

D810,484 S * 2/2018 Velez A47B 3/12

D6/692.1

D839,645 S * 2/2019 Itou D6/692

* cited by examiner

Primary Examiner — Mary Ann Calabrese

(74) *Attorney, Agent, or Firm* — Thomas|Horstemeyer,
LLP

(57) **CLAIM**

The ornamental design for table, as shown and described.

DESCRIPTION

1.1 is a top perspective view of a table, showing my new design;

1.2 is an end view thereof, the opposite end being a mirror image thereof;

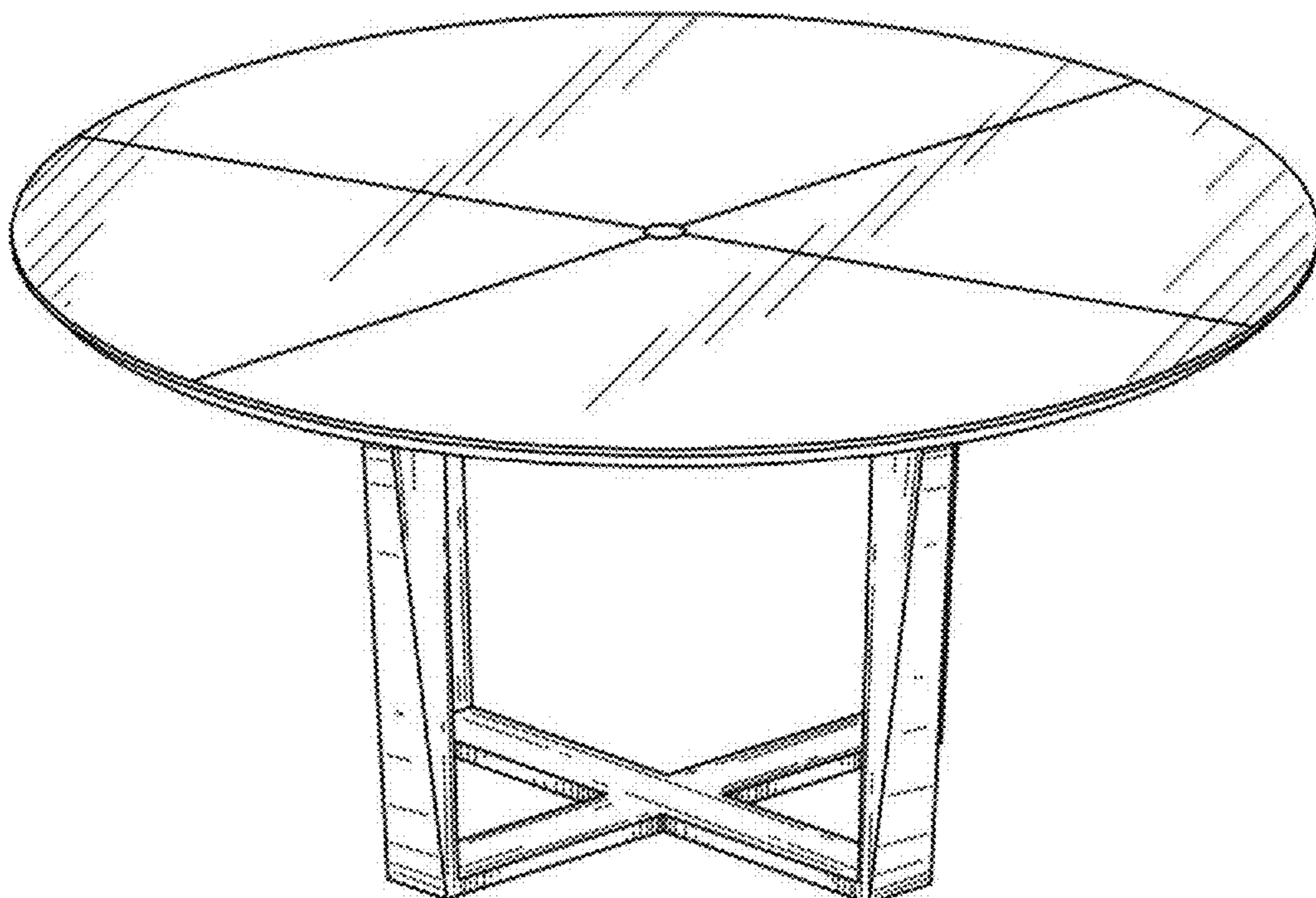
1.3 is a side view thereof, the opposite side being a mirror image thereof;

1.4 is a top view thereof; and

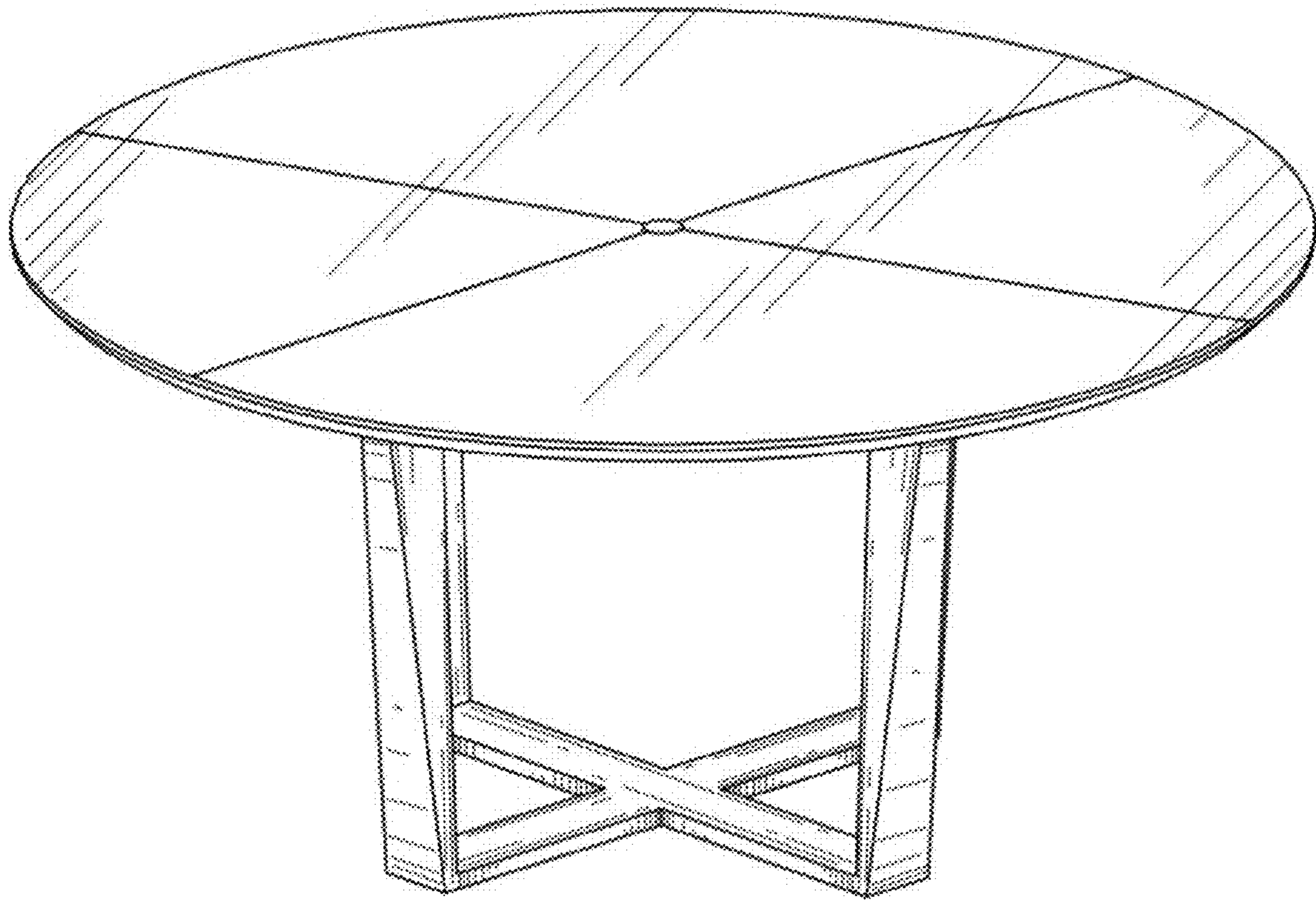
1.5 is a bottom view thereof.

The broken lines shown in the drawings of the table are for the purpose of illustrating the environment and form no part of the claimed design.

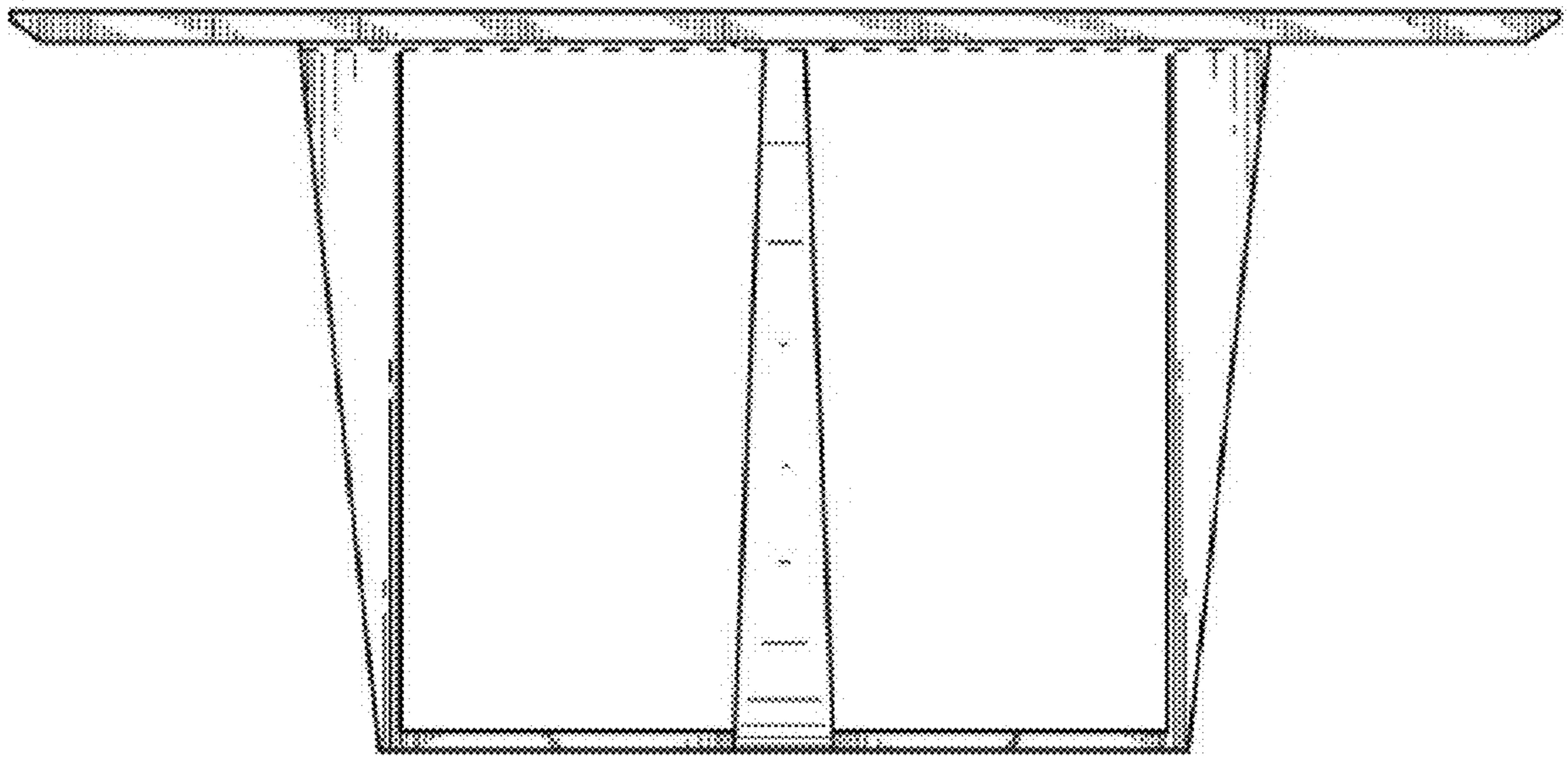
1 Claim, 5 Drawing Sheets



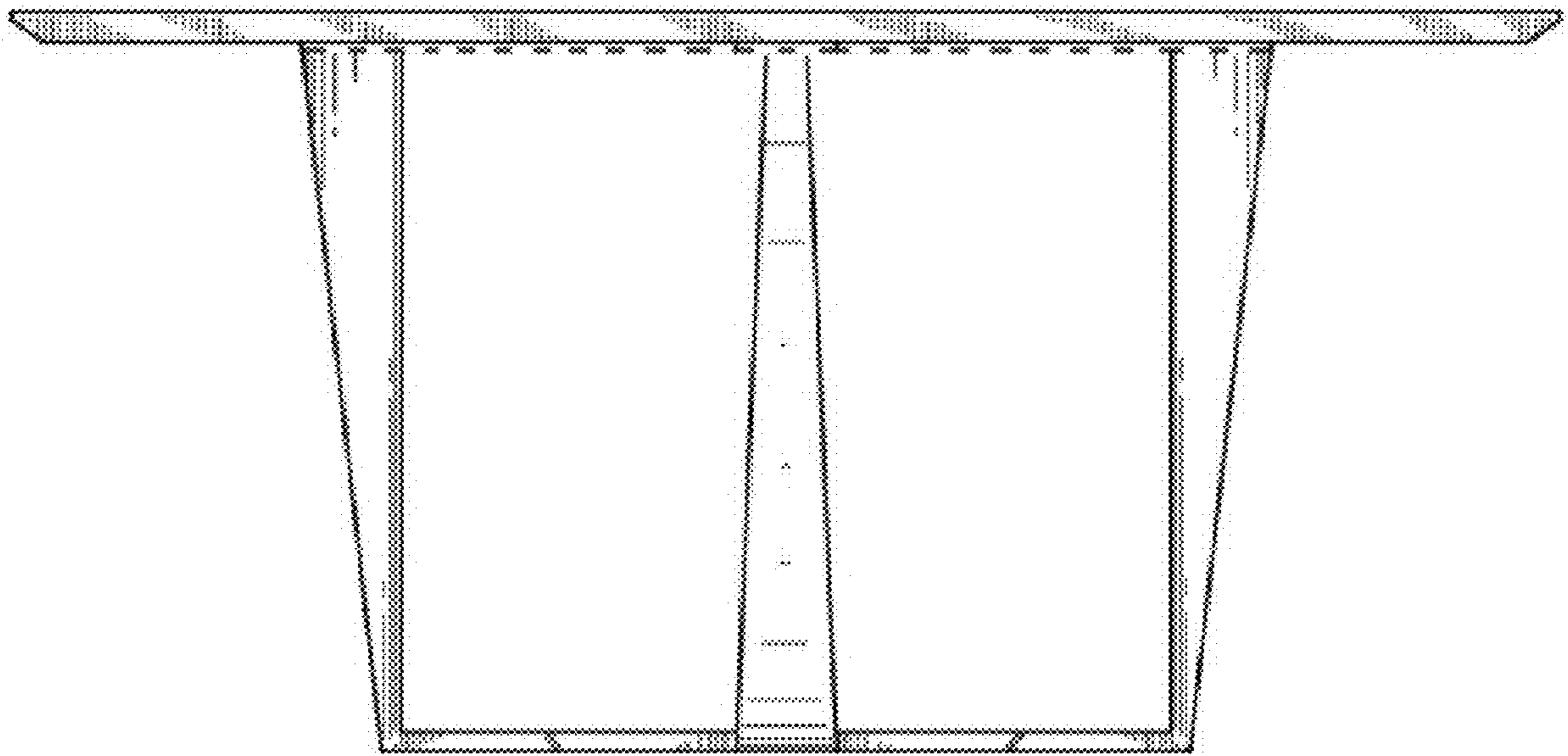
1.1



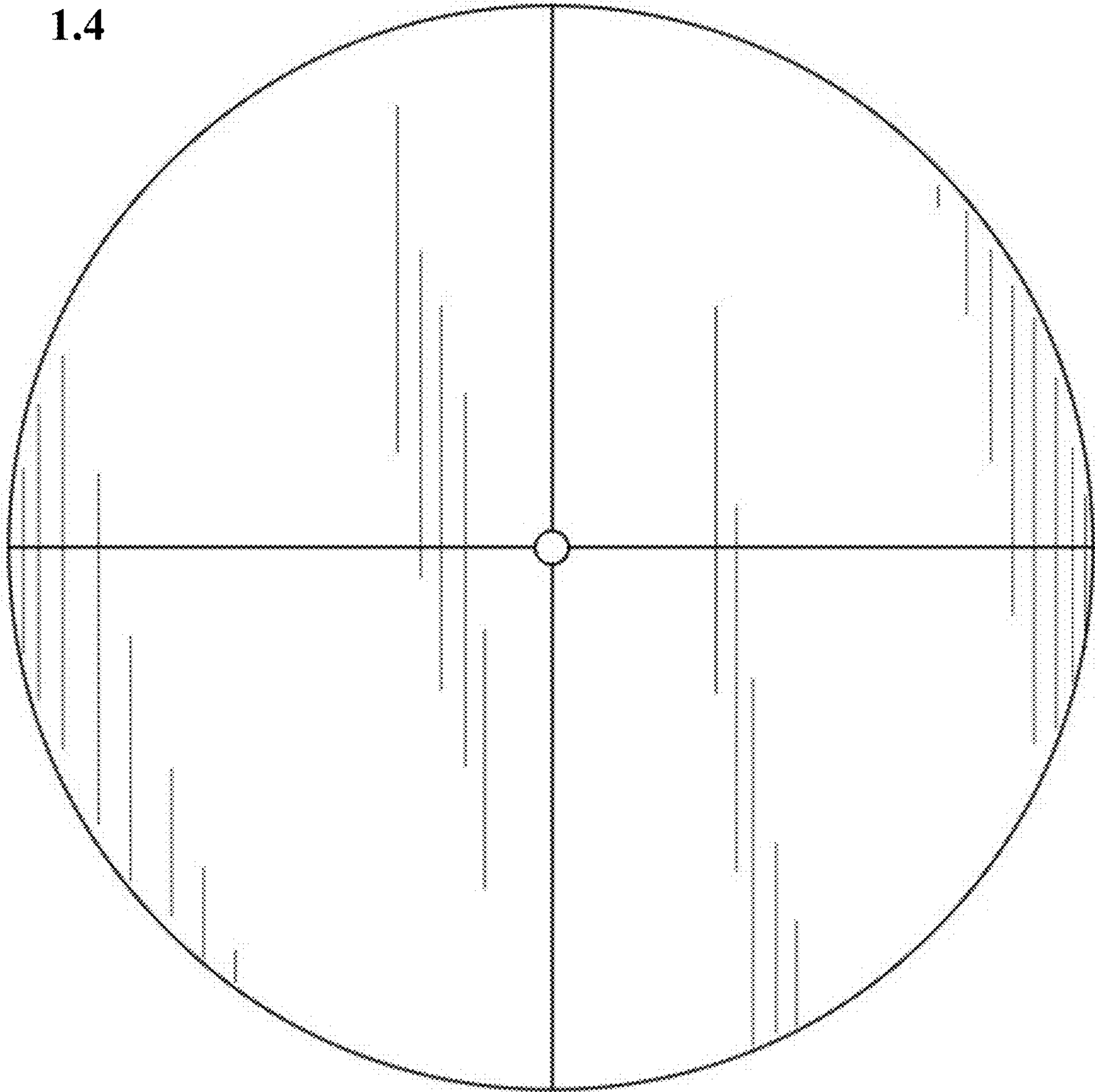
1.2



1.3



1.4



1.5

