



US00D875442S

(12) **United States Design Patent**
Duan

(10) **Patent No.:** **US D875,442 S**

(45) **Date of Patent:** **** Feb. 18, 2020**

(54) **DESK**

(71) Applicant: **Jingquan Duan**, Shangcai County (CN)

(72) Inventor: **Jingquan Duan**, Shangcai County (CN)

(**) Term: **15 Years**

(21) Appl. No.: **29/667,833**

(22) Filed: **Oct. 25, 2018**

(51) **LOC (12) Cl.** **06-03**

(52) **U.S. Cl.**
USPC **D6/656.16**

(58) **Field of Classification Search**
USPC D6/353, 368, 642, 644, 649, 651, 655,
D6/655.1, 655.11, 655.12, 655.13, 655.14,
D6/655.15, 655.16, 655.17, 655.2, 656,
D6/656.13, 656.15, 656.16, 656.19, 657,
D6/663, 686, 691, 709
CPC A47B 81/00; A47B 88/00; A47B 88/41;
A47B 88/42; A47B 2210/16; B26B 3/00;
B60B 33/00

See application file for complete search history.

(56) **References Cited**

U.S. PATENT DOCUMENTS

D334,678 S * 4/1993 Hinden D6/656.13
D675,042 S * 1/2013 Mecherle D6/691
9,038,549 B1 * 5/2015 Zebarjad A47B 9/02
108/147
D776,961 S * 1/2017 Yamamoto D6/656.16
9,700,136 B1 * 7/2017 Zebarjad A47B 9/02
9,814,307 B1 * 11/2017 Hall B25H 1/14
D807,083 S * 1/2018 Yamamoto D6/656.16

D819,371 S * 6/2018 Cao D6/656.16
D861,382 S * 10/2019 Hu D6/656.11
D862,129 S * 10/2019 Hu D6/656.17
D865,405 S * 11/2019 Hu D6/656.16
2014/0096706 A1 * 4/2014 Labrosse A47B 21/02
108/21
2017/0251806 A1 * 9/2017 Newman A47B 21/02

OTHER PUBLICATIONS

Insoria, posted at Amazon.com, posted on Dec. 9, 2018, site visited Nov. 19, 2019. online, available from internet: <https://www.amazon.com/Insoria-Ergonomic-Durable-Computer-Mousepad/dp/B07L86WKVL> (Year: 2018).*

* cited by examiner

Primary Examiner — Mary Ann Calabrese
Assistant Examiner — Catherine Ho

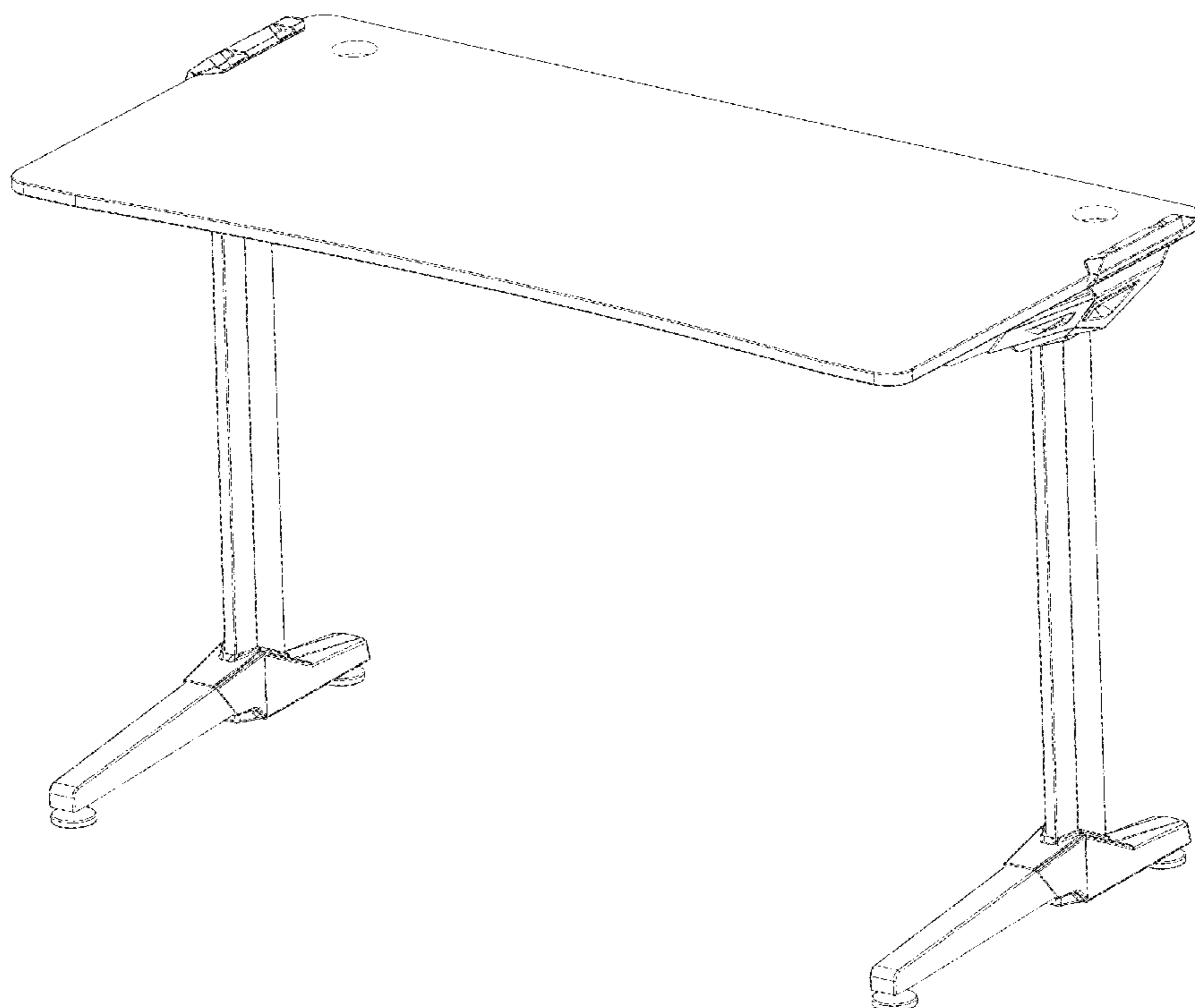
(57) **CLAIM**

The ornamental design for a desk, as shown and described.

DESCRIPTION

FIG. 1 is a front perspective view of a desk showing my new design;
FIG. 2 is a rear perspective view thereof;
FIG. 3 is a front elevational view thereof;
FIG. 4 is a left side elevational view thereof;
FIG. 5 is a right side elevational view thereof;
FIG. 6 is a top plan view thereof; and,
FIG. 7 is a bottom plan view thereof.

1 Claim, 7 Drawing Sheets



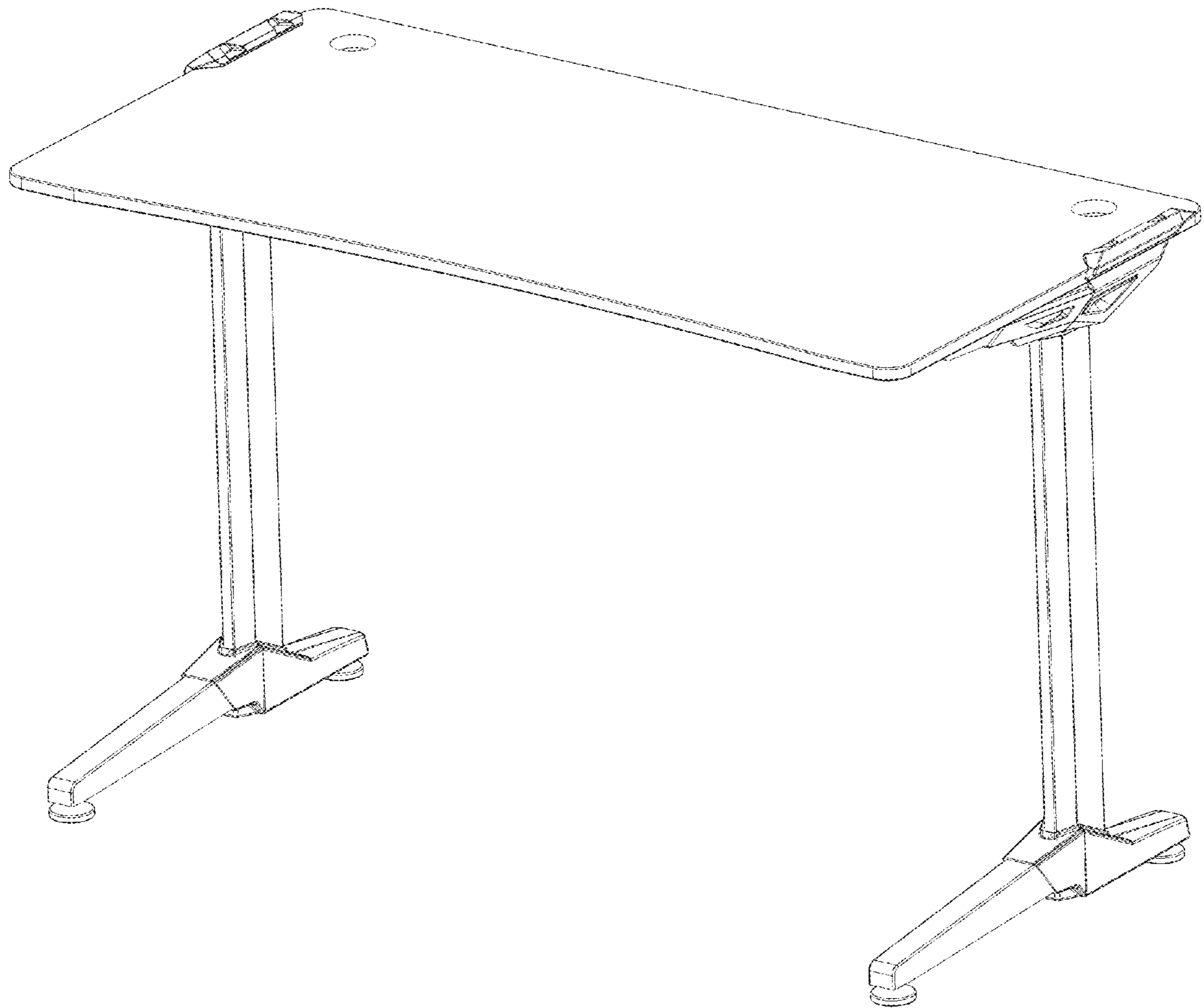


FIG. 1

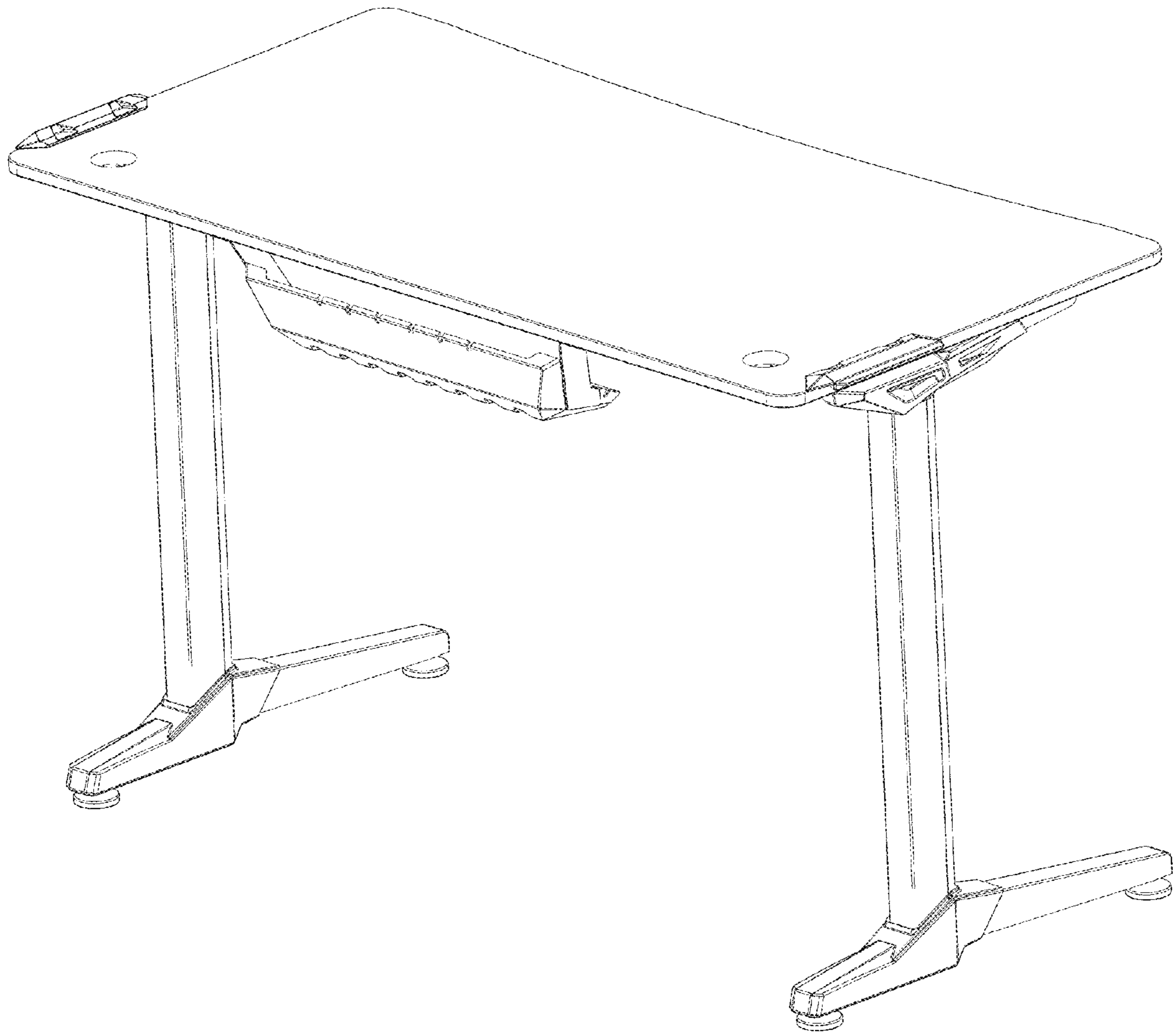


FIG. 2

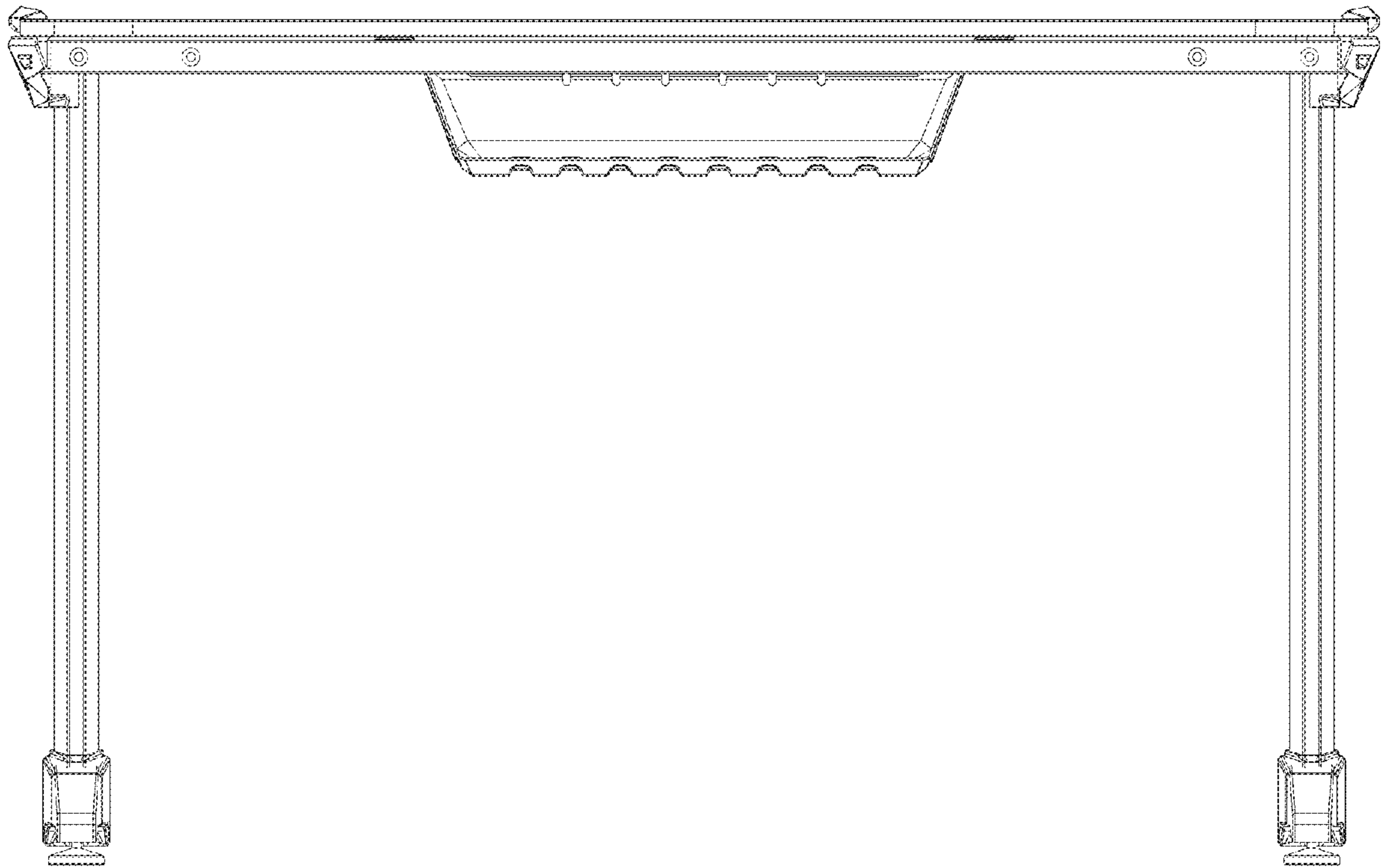


FIG.3

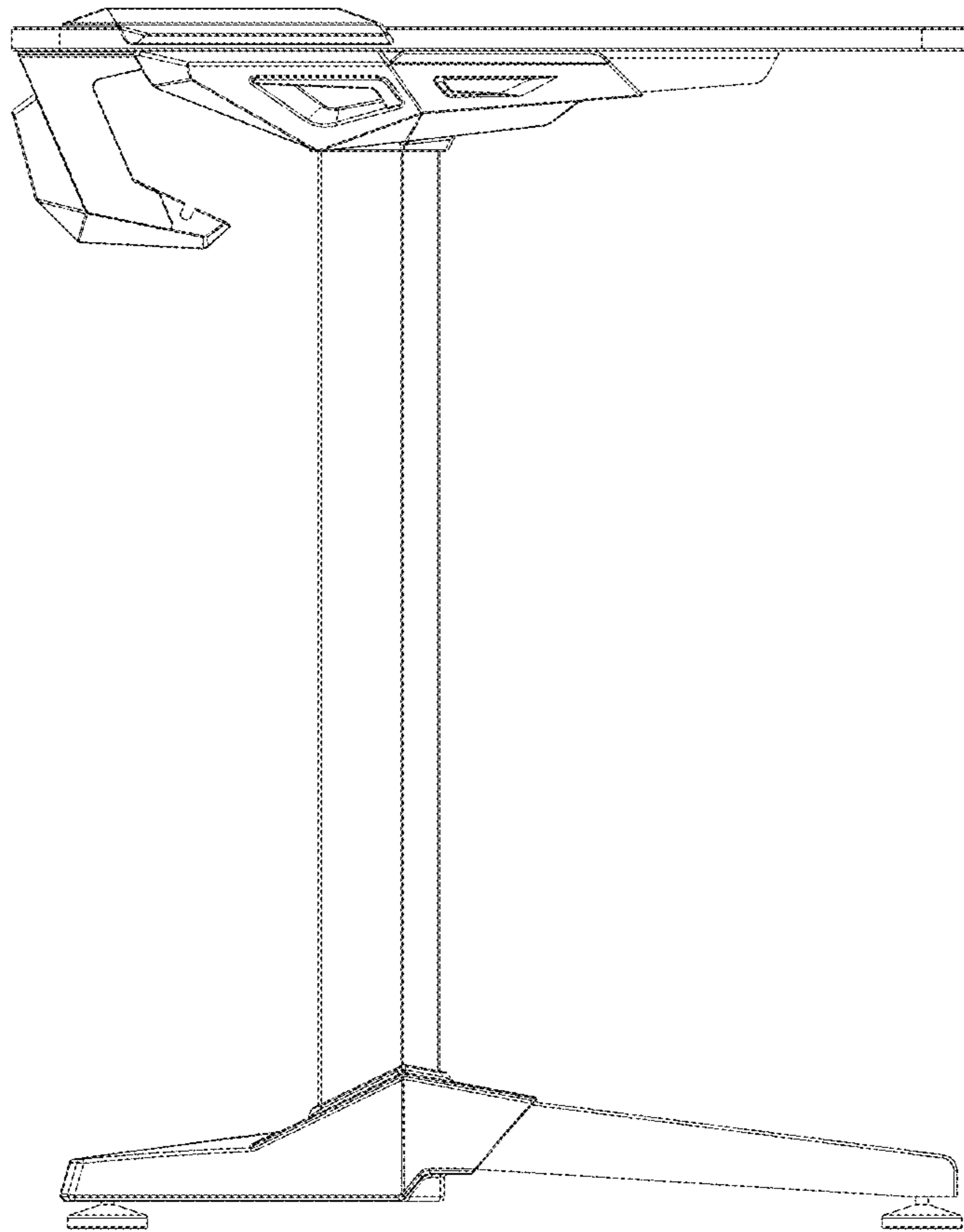


FIG.4

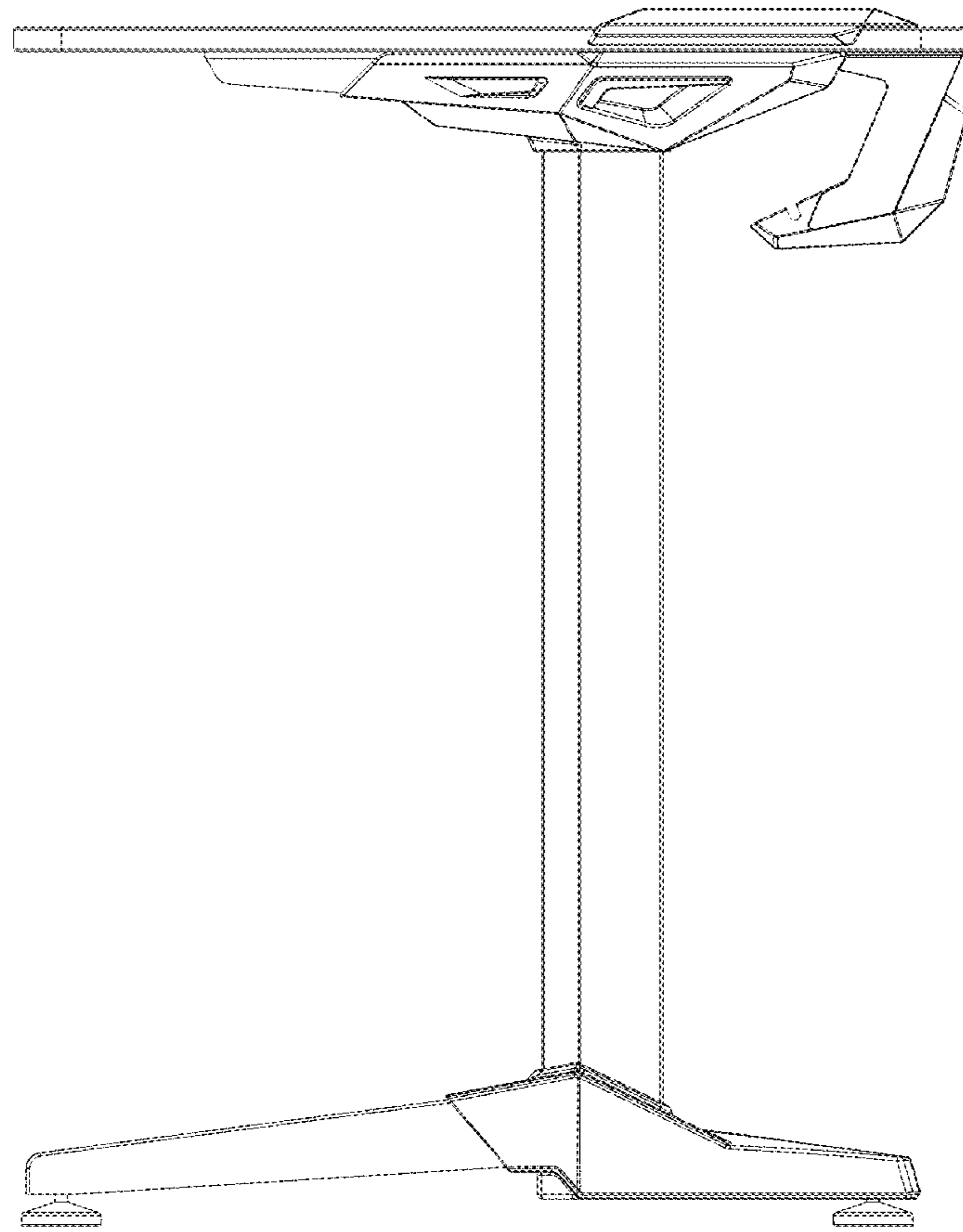


FIG.5

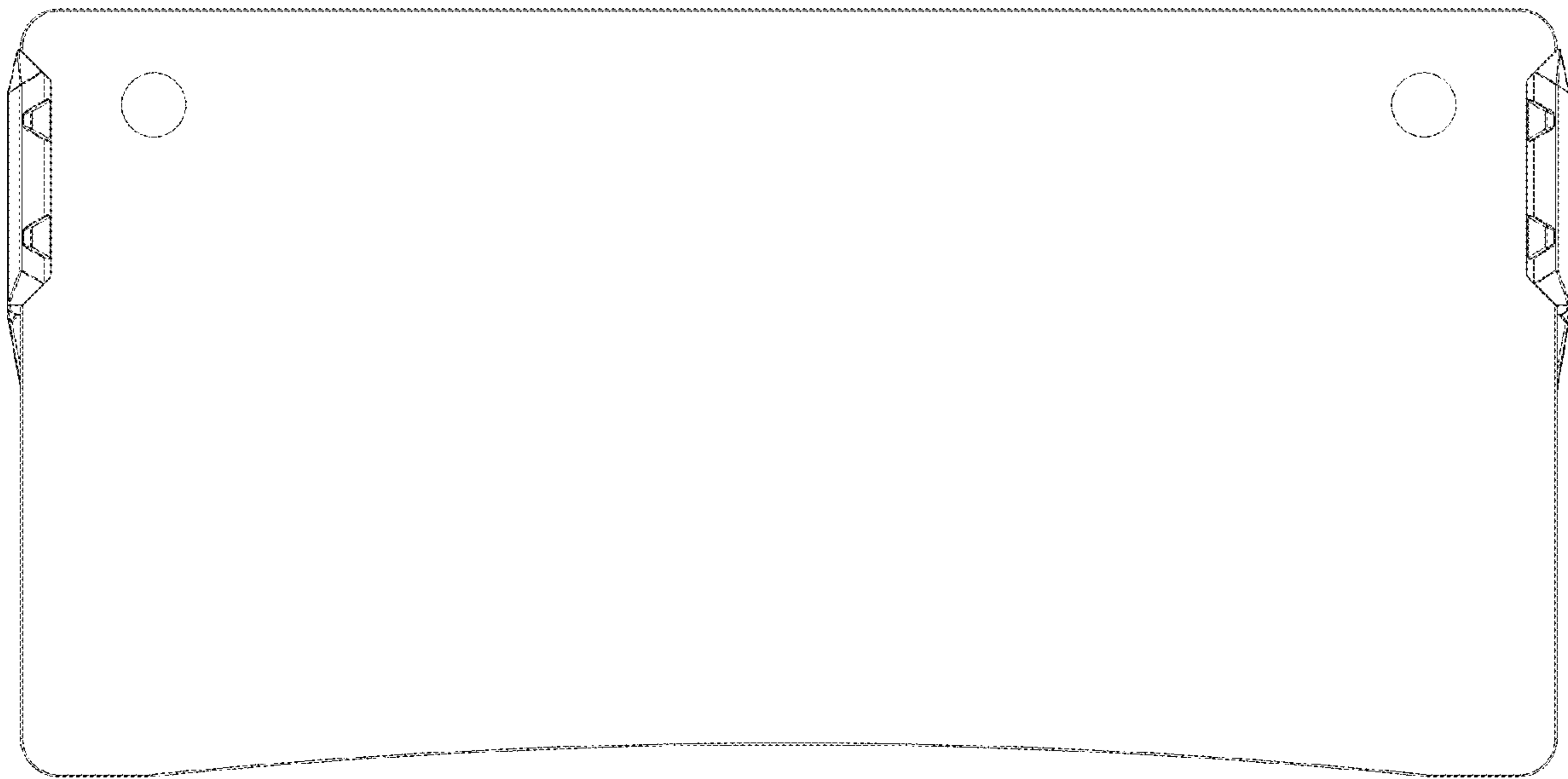


FIG.6

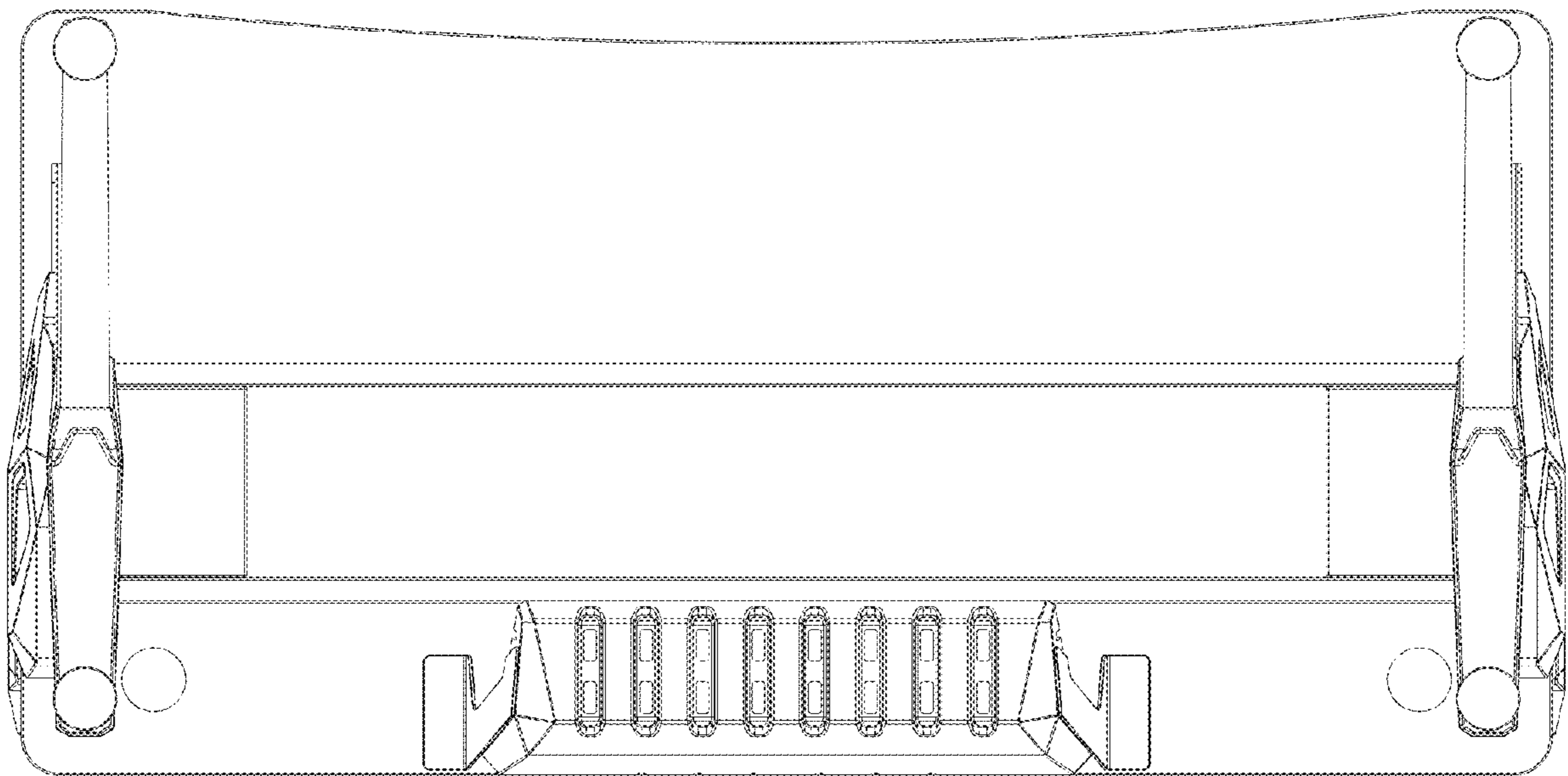


FIG.7