



US00D875441S

(12) **United States Design Patent**
Duan

(10) **Patent No.:** **US D875,441 S**

(45) **Date of Patent:** **** Feb. 18, 2020**

(54) **DESK**
(71) Applicant: **Panfeng Duan**, Zhumadian (CN)
(72) Inventor: **Panfeng Duan**, Zhumadian (CN)
(73) Assignee: **Foshan Saitu Intelligent Furniture Co., Ltd.**, Foshan (CN)
(**) Term: **15 Years**

D552,882 S * 10/2007 Saotome D6/656.16
D552,883 S * 10/2007 Saotome D6/656.16
D642,832 S * 8/2011 Saito D6/709
D649,809 S * 12/2011 Keshishyan D6/656.18
D681,979 S * 5/2013 Keen D6/691
8,967,579 B2 * 3/2015 Tsai A47B 27/18
248/188.1
D731,821 S * 6/2015 Hosoya D6/650
D776,961 S * 1/2017 Yamamoto D6/656.16
D862,128 S * 10/2019 Hu D6/656.11

(21) Appl. No.: **29/665,055**
(22) Filed: **Sep. 29, 2018**
(51) **LOC (12) Cl.** **06-03**
(52) **U.S. Cl.**
USPC **D6/655.18; D6/655.21**
(58) **Field of Classification Search**
USPC D6/353, 368, 642, 644, 649, 651, 655,
D6/655.1, 655.11, 655.12, 655.13, 655.14,
D6/655.15, 655.16, 655.17, 655.18, 655.2,
D6/655.21, 656, 656.11, 656.13, 656.15,
D6/656.16, 656.17, 656.19, 657, 663,
D6/686, 691, 709
CPC A47B 81/00; A47B 88/00; A47B 88/41;
A47B 88/42; A47B 2210/16; B62B 3/00;
B60B 33/00
See application file for complete search history.

(56) **References Cited**
U.S. PATENT DOCUMENTS
4,248,161 A * 2/1981 Adair A47B 27/02
108/6
D292,765 S * 11/1987 Esslinger D6/656.11
D325,833 S * 5/1992 Saotome D6/656.16

OTHER PUBLICATIONS

Tangkula, posted at Amazon.com, posted on Sep. 11, 2019, site visited Nov. 18, 2019. online, available from internet: https://www.amazon.com/dp/B07XLFMHJN/ref=sbl_dp_x_B07YWSYD1G (Year: 2019).*

* cited by examiner

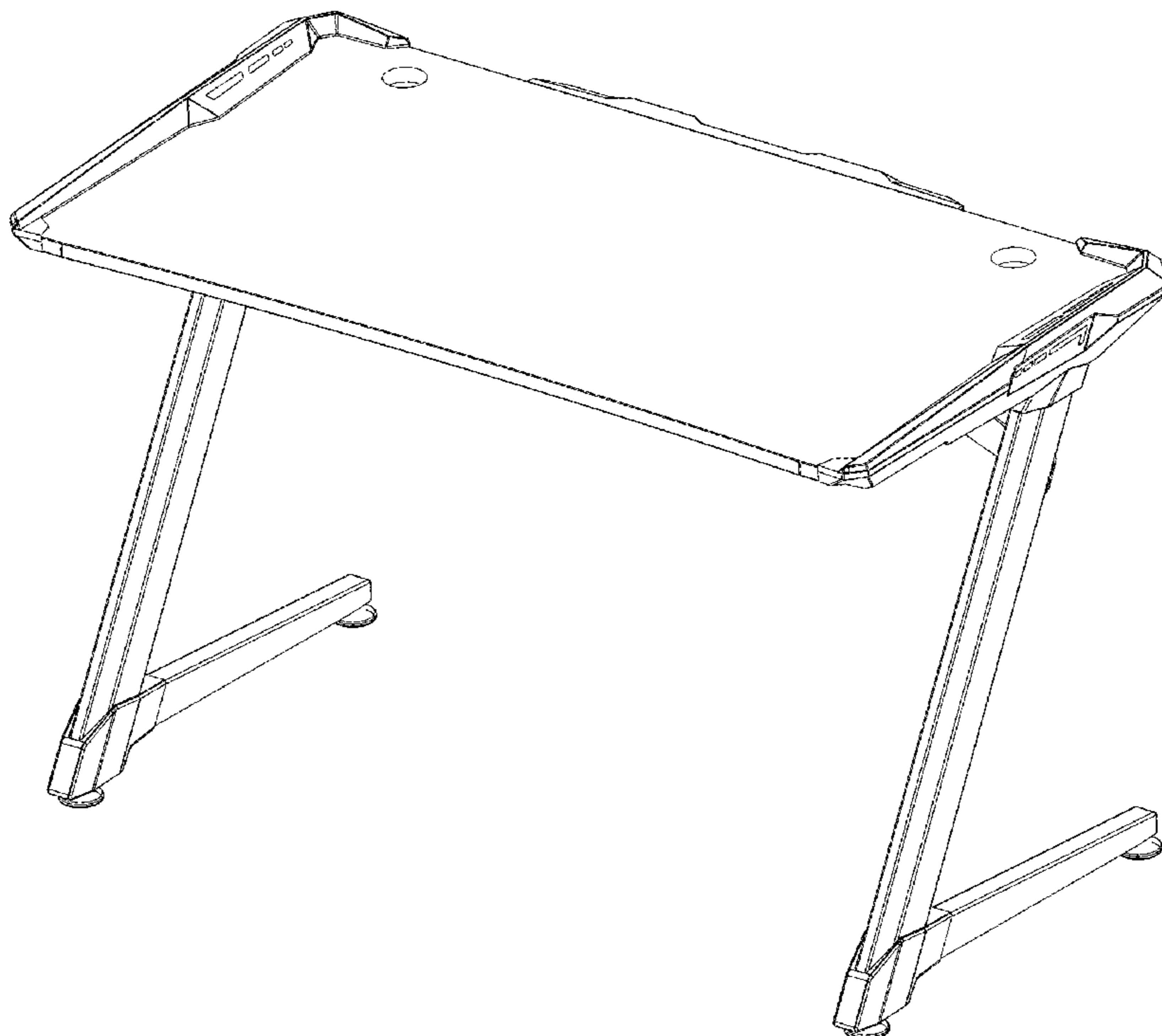
Primary Examiner — Mary Ann Calabrese
Assistant Examiner — Catherine Ho

(57) **CLAIM**
The ornamental design for a desk, shown and described.

DESCRIPTION

FIG. 1 is a front perspective view of a desk showing my new design;
FIG. 2 is a rear perspective view thereof;
FIG. 3 is a front elevational view thereof;
FIG. 4 is a rear elevational view thereof;
FIG. 5 is a left side elevational view thereof;
FIG. 6 is a right side elevational view thereof;
FIG. 7 is a top plan view thereof; and,
FIG. 8 is a bottom plan view thereof.

1 Claim, 8 Drawing Sheets



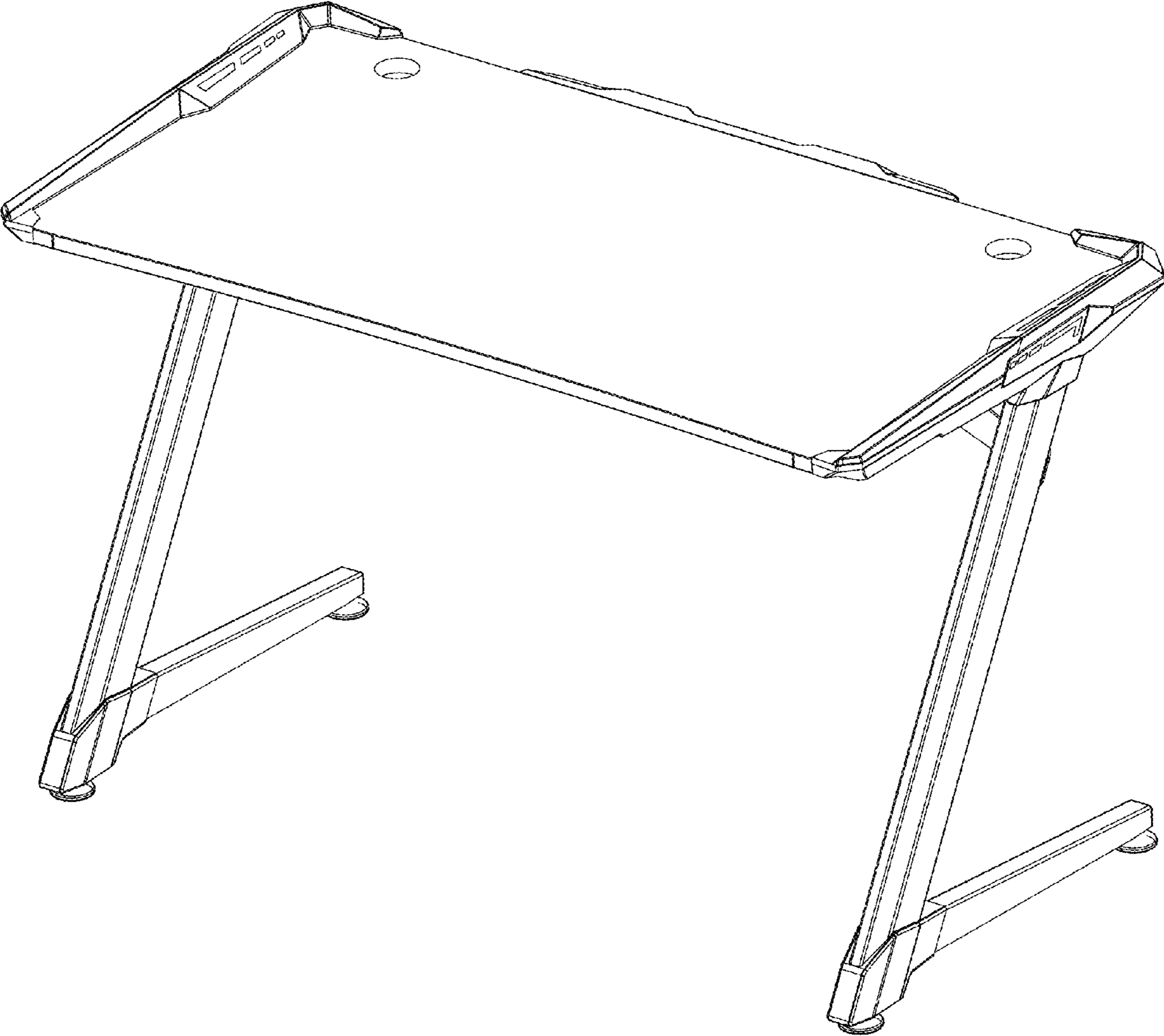


FIG.1

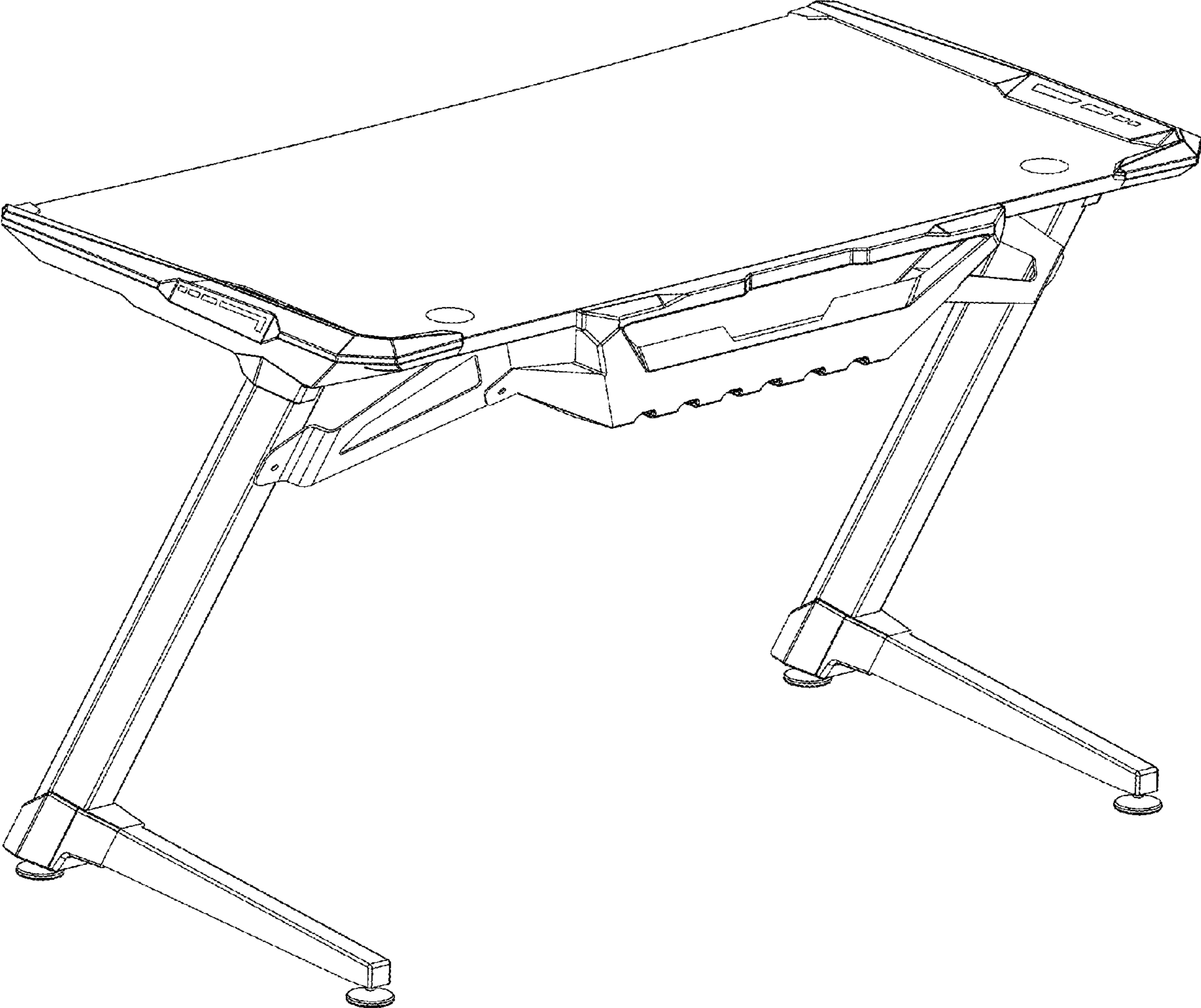


FIG.2

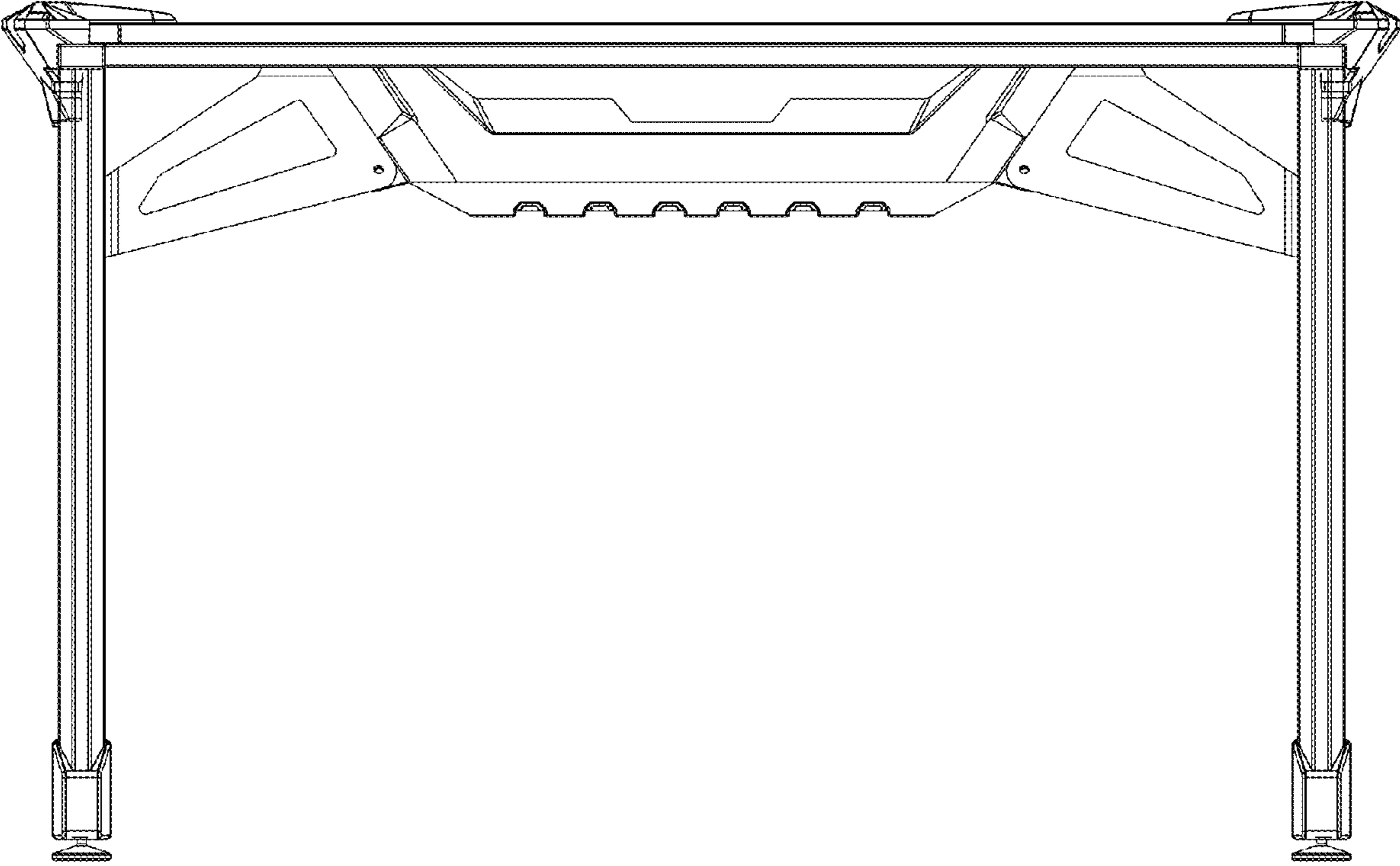


FIG.3

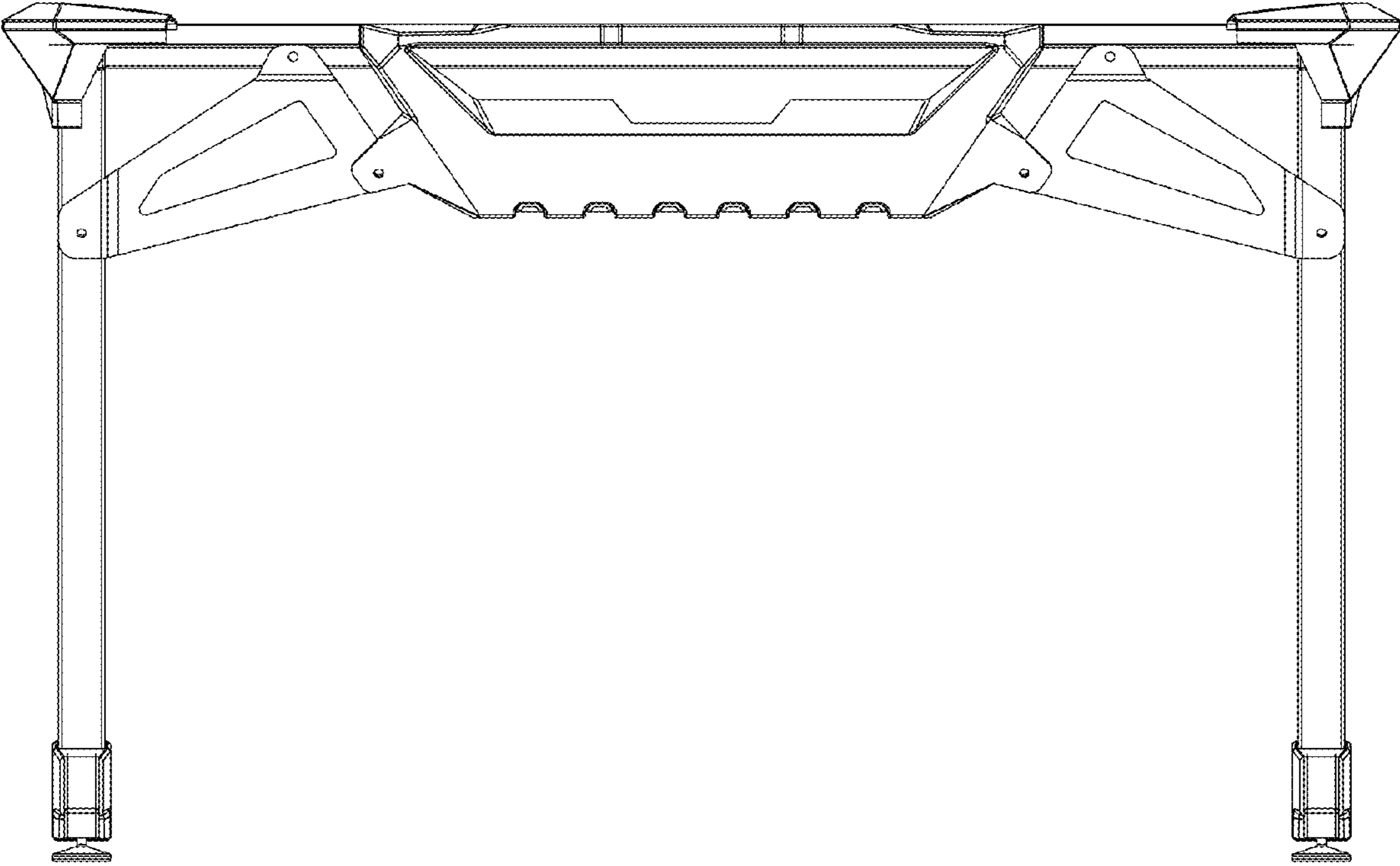


FIG.4

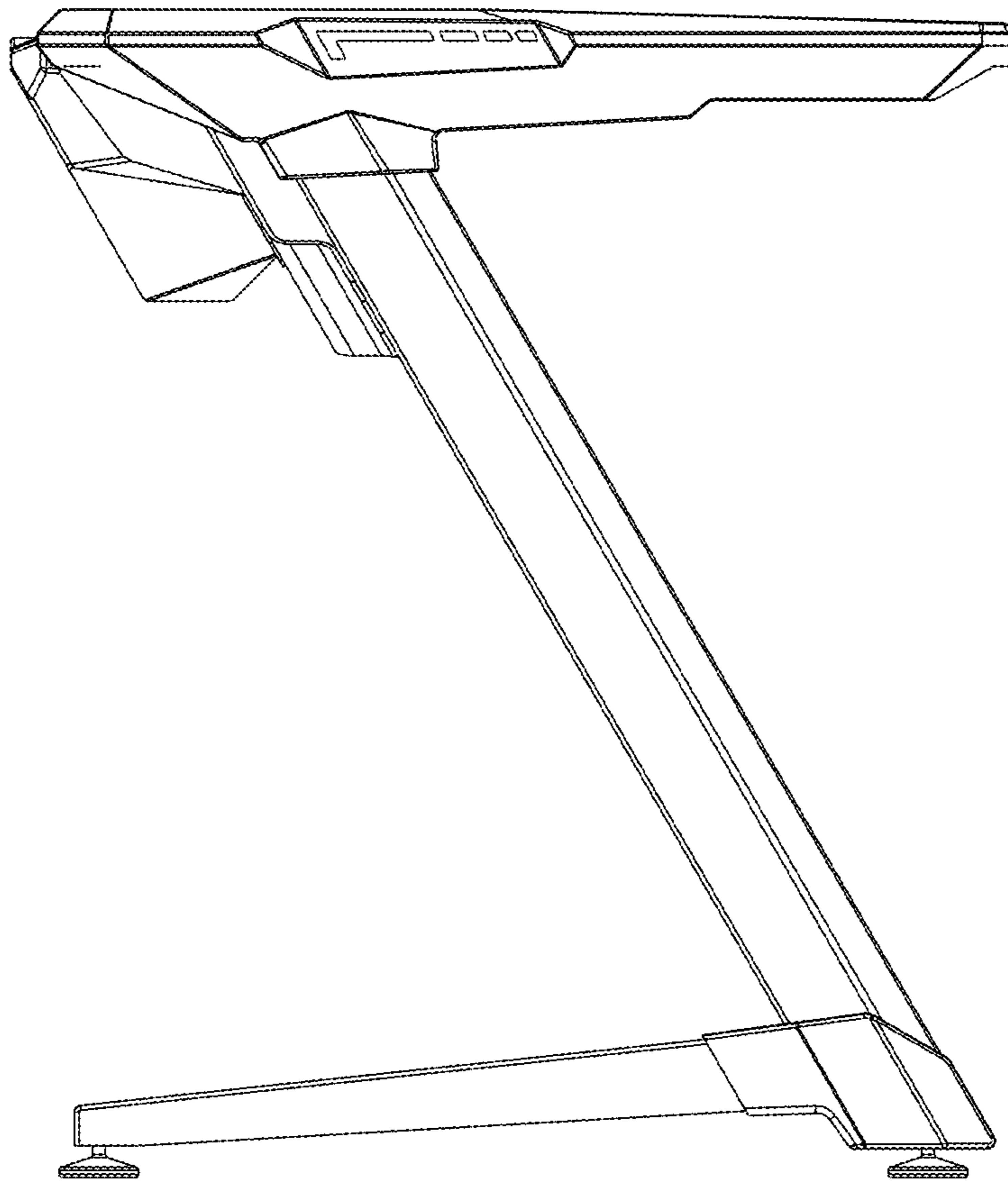


FIG. 5

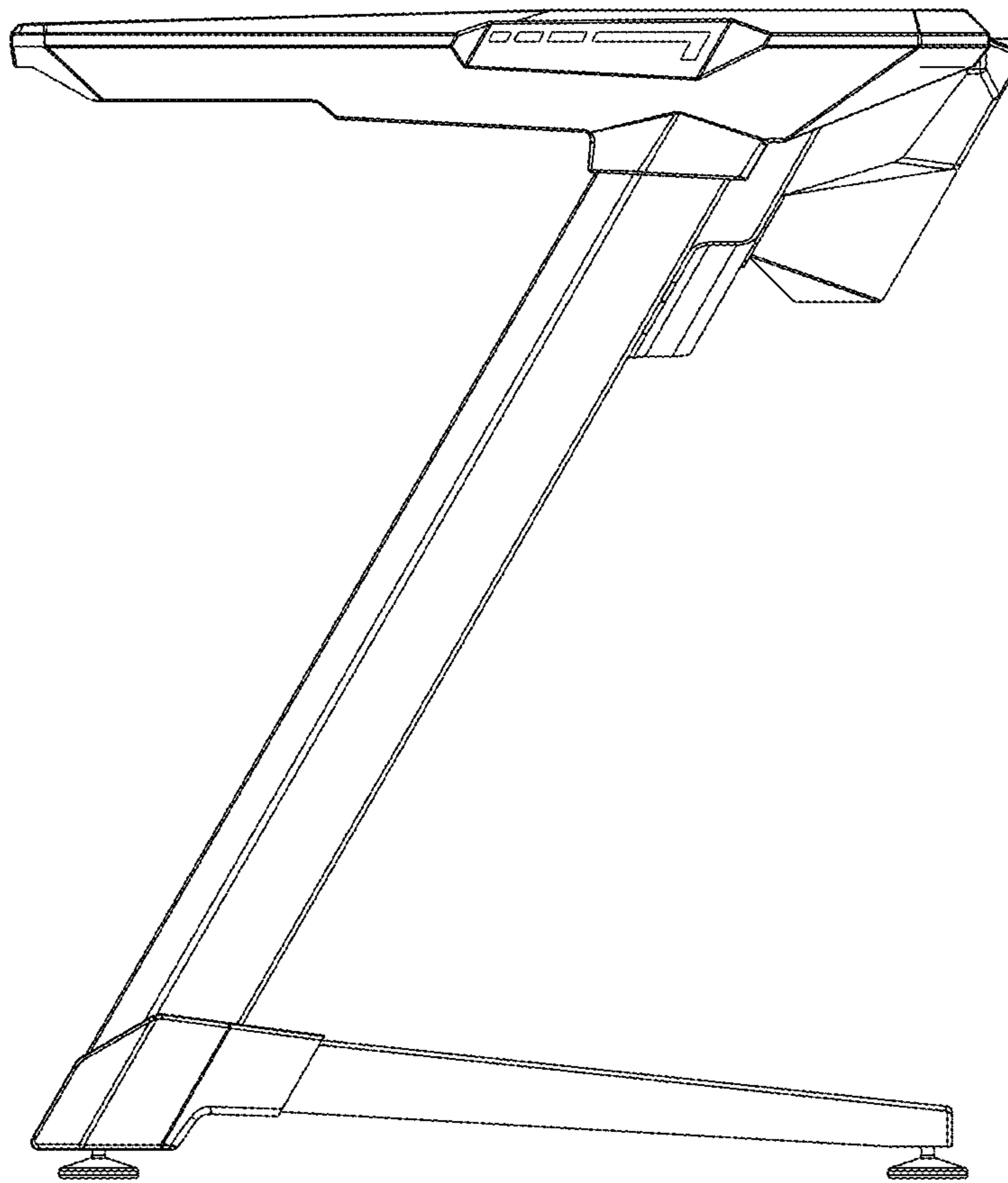


FIG. 6

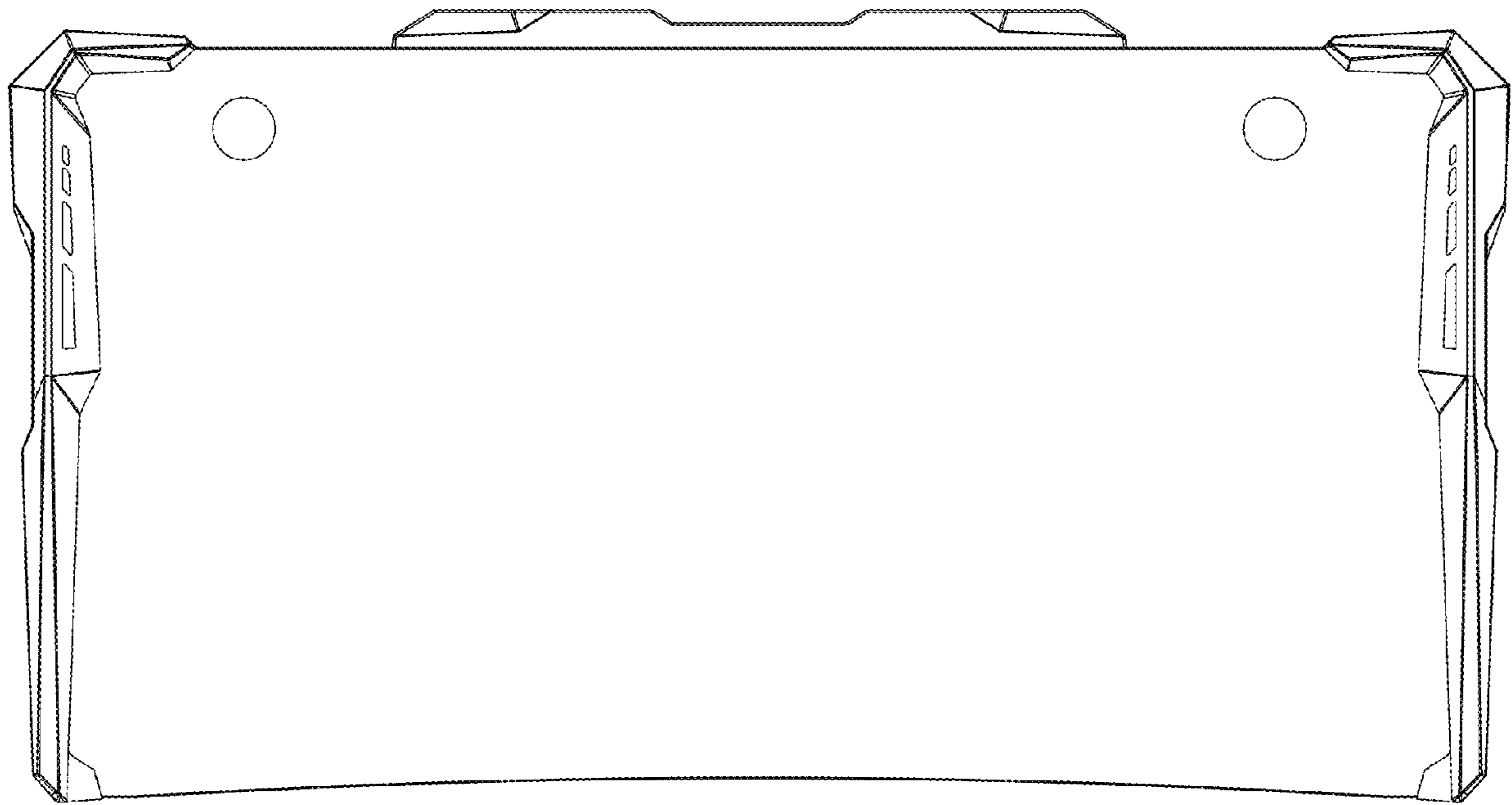


FIG.7

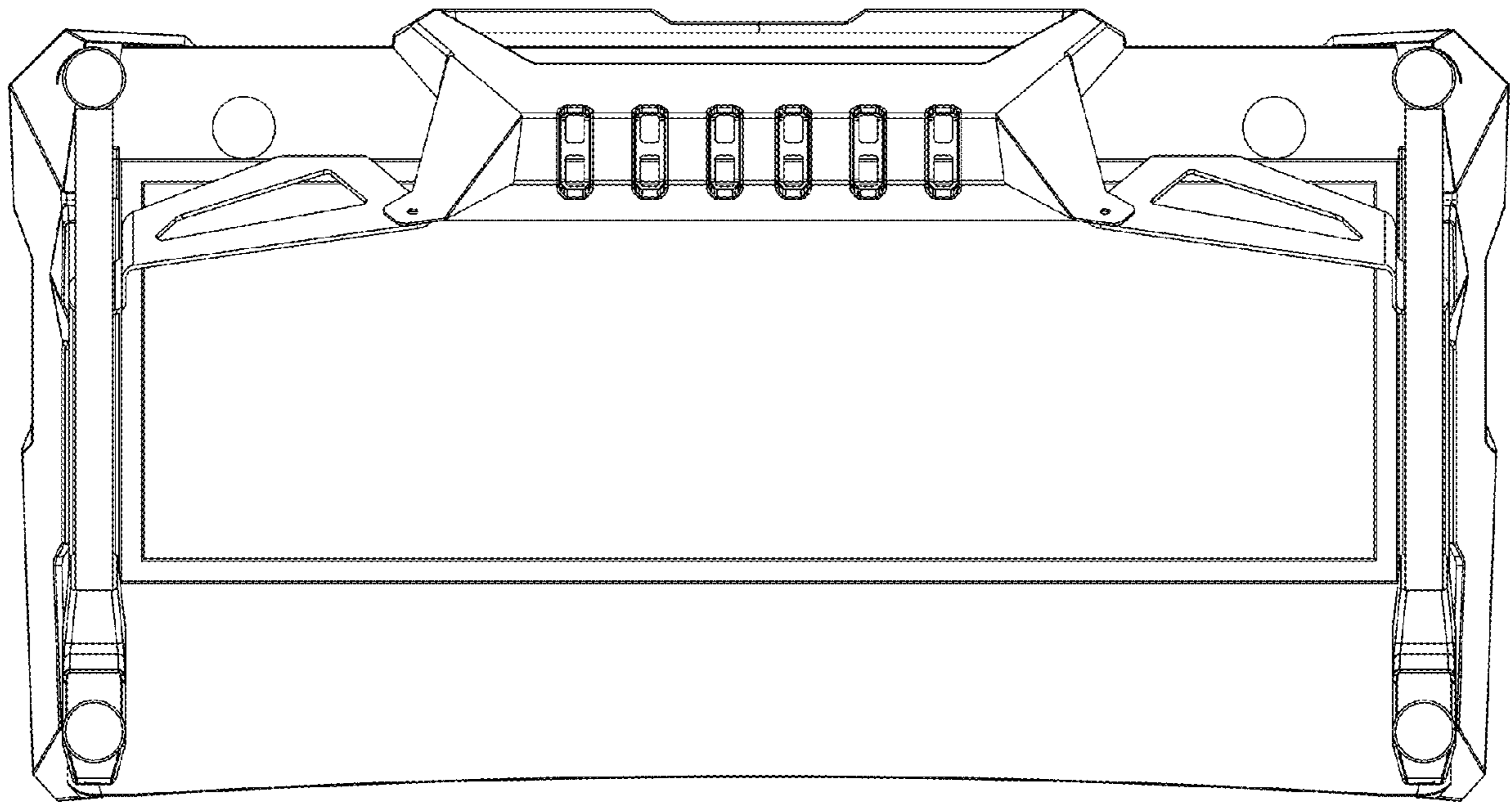


FIG.8