



US00D875440S

(12) **United States Design Patent**
Li

(10) **Patent No.:** **US D875,440 S**

(45) **Date of Patent:** **** Feb. 18, 2020**

(54) **GAMING DESK**

(71) Applicant: **Weimin Li**, Beijing (CN)

(72) Inventor: **Weimin Li**, Beijing (CN)

(**) Term: **15 Years**

(21) Appl. No.: **29/655,547**

(22) Filed: **Jul. 5, 2018**

(51) **LOC (12) Cl.** **06-03**

(52) **U.S. Cl.**
USPC **D6/654.11**

(58) **Field of Classification Search**
USPC D6/653.11, 654.1, 655.1, 650
CPC A47B 21/06; A47B 21/00
See application file for complete search history.

(56) **References Cited**

U.S. PATENT DOCUMENTS

- D407,234 S * 3/1999 Moen D6/650
- 6,895,869 B2 * 5/2005 Lai A47B 21/00
108/137
- D547,970 S * 8/2007 Chou D6/655.1
- 7,908,978 B1 * 3/2011 Pelton, Jr. A47B 21/06
108/50.01
- D825,224 S * 8/2018 Maliwanag, II D6/654.1

D846,314 S * 4/2019 Dardashti D6/653.11

* cited by examiner

Primary Examiner — George D. Kirschbaum

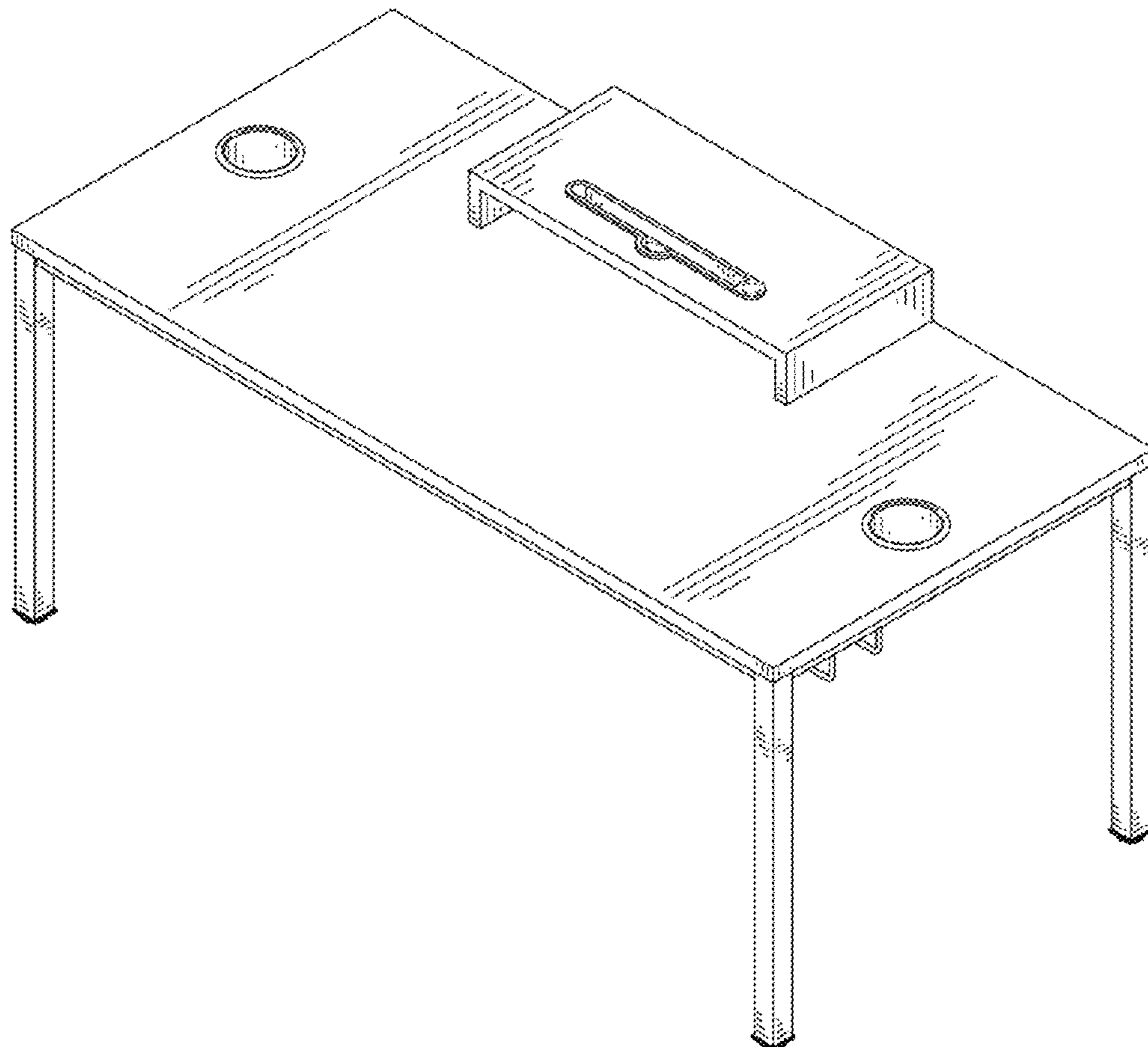
(57) **CLAIM**

The ornamental design for a gaming desk, as shown and described.

DESCRIPTION

FIG. 1 is a perspective view of the gaining desk showing my new design;
 FIG. 2 is another perspective view thereof;
 FIG. 3 is a front elevational view thereof;
 FIG. 4 is a rear elevational view thereof;
 FIG. 5 is a left side elevational view thereof;
 FIG. 6 is a right side elevational view thereof;
 FIG. 7 is a top plan view thereof;
 FIG. 8 is a bottom plan view thereof;
 FIG. 9 is an enlarged view of a circle portion 9 of FIG. 2;
 and,
 FIG. 10 is an enlarged view of a circle portion 10 of FIG. 2.
 The broken lines are for the purposes of illustrating portions of the gaining desk and form no part of the claimed design.

1 Claim, 10 Drawing Sheets



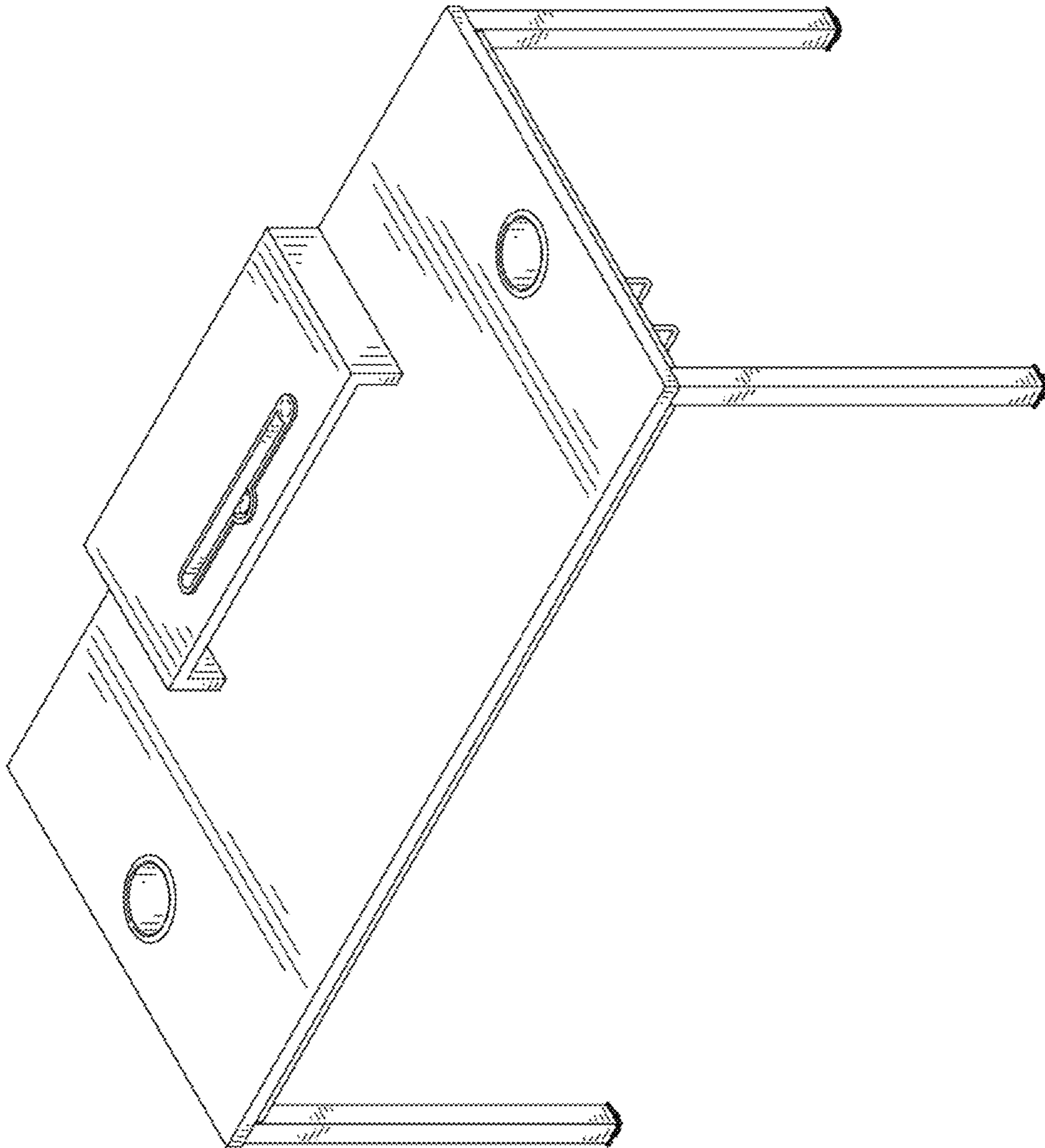


FIG. 1

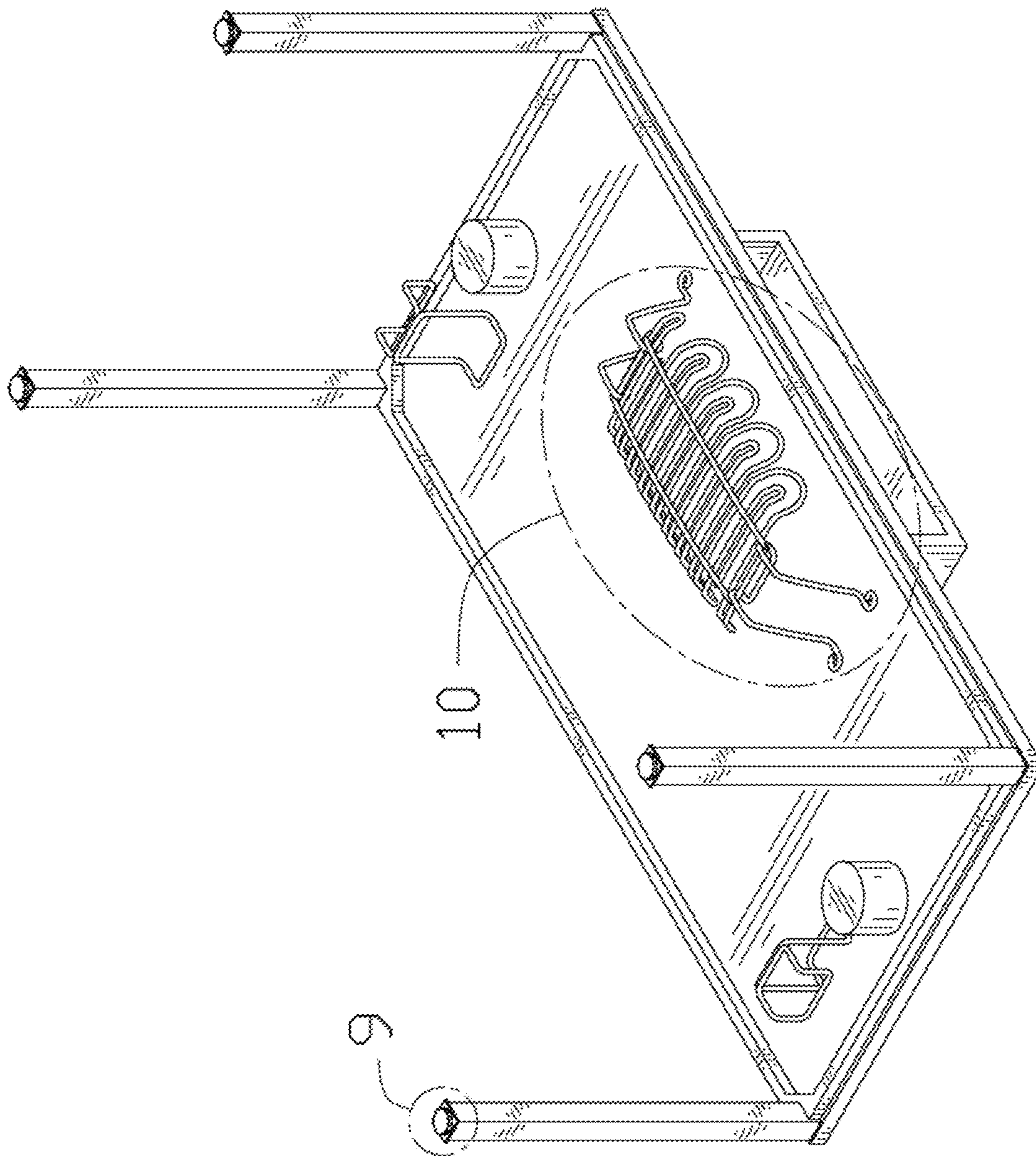


FIG. 2

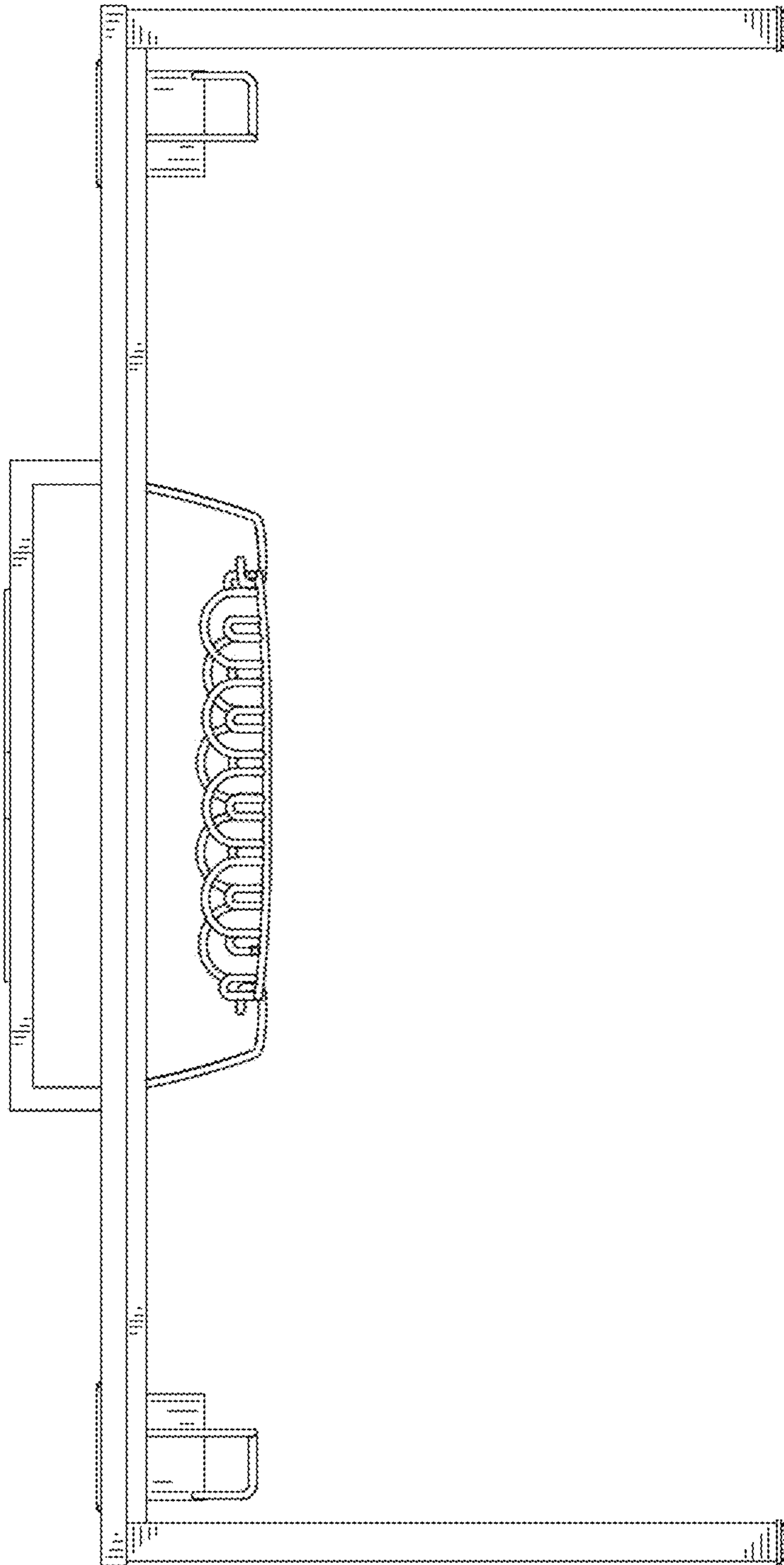


FIG. 3

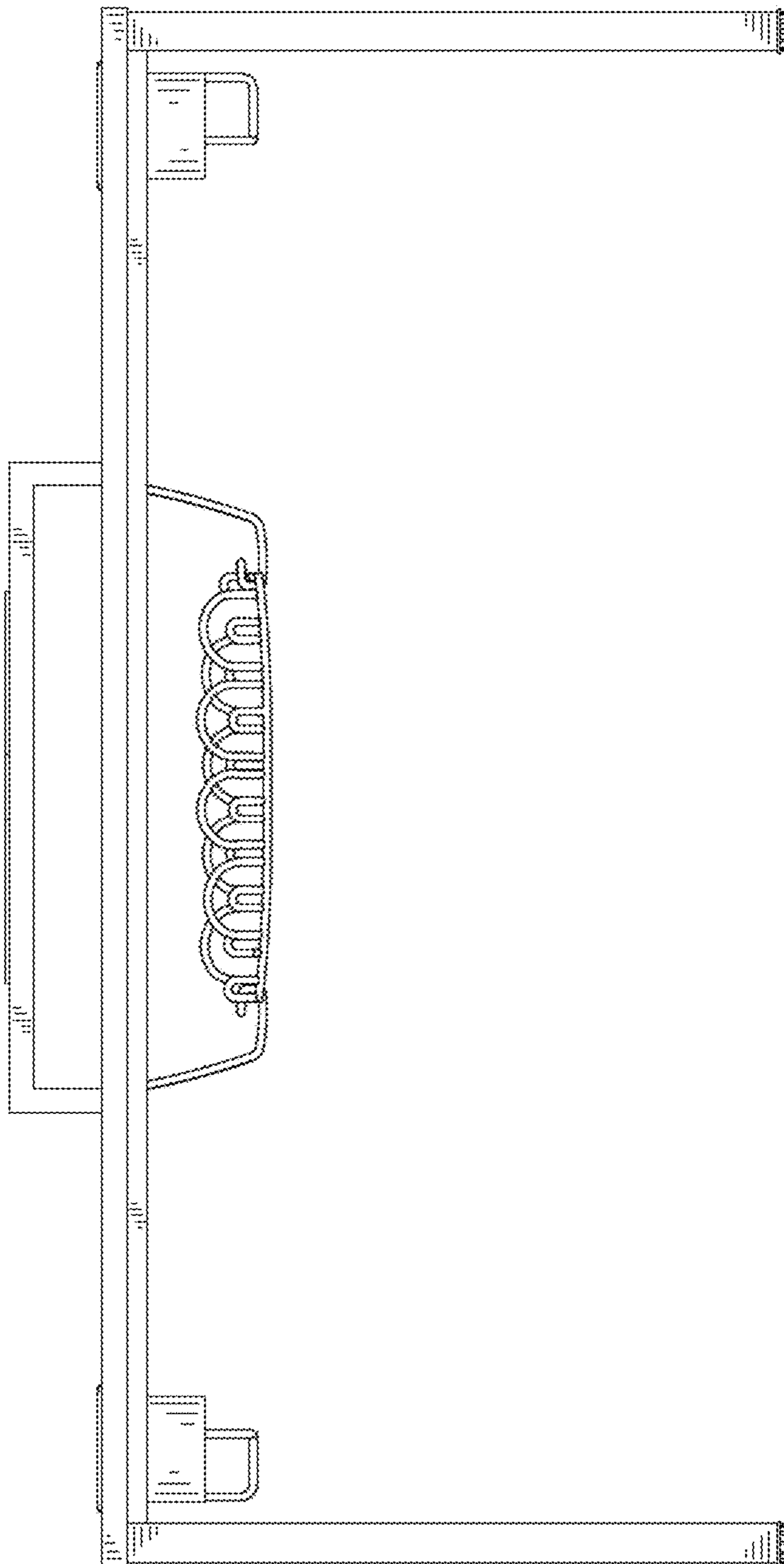


FIG. 4

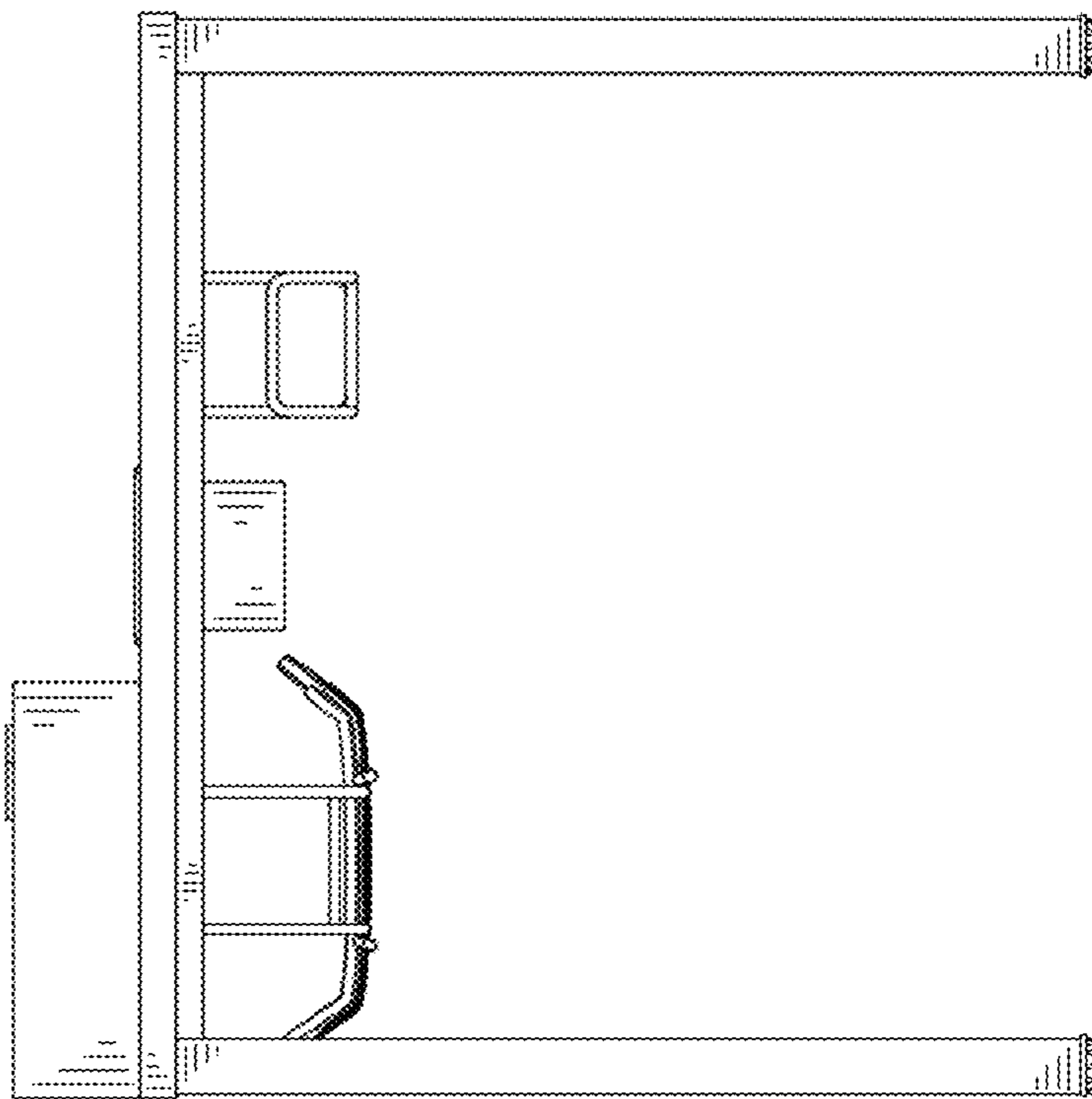


FIG. 5

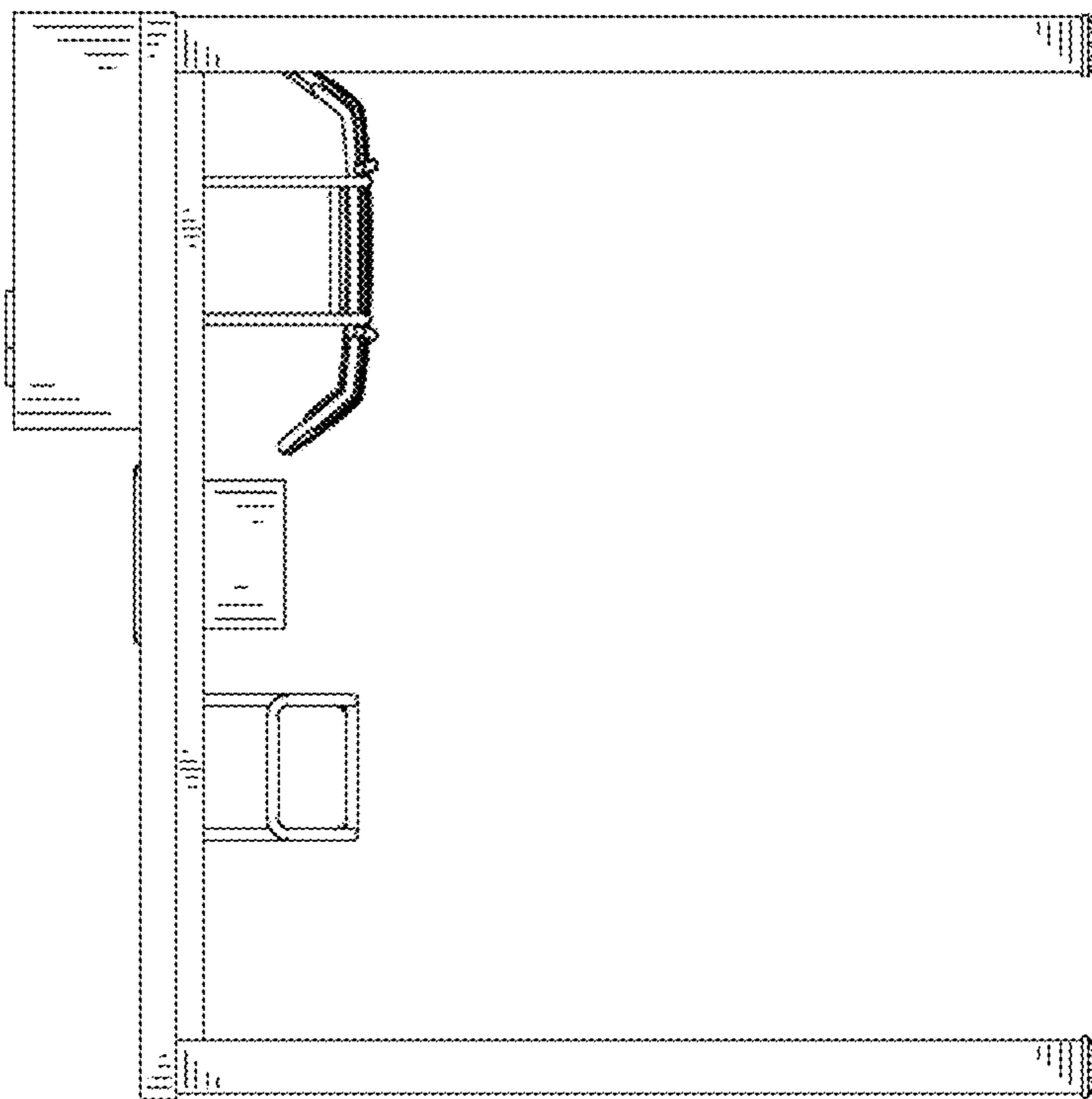


FIG. 6

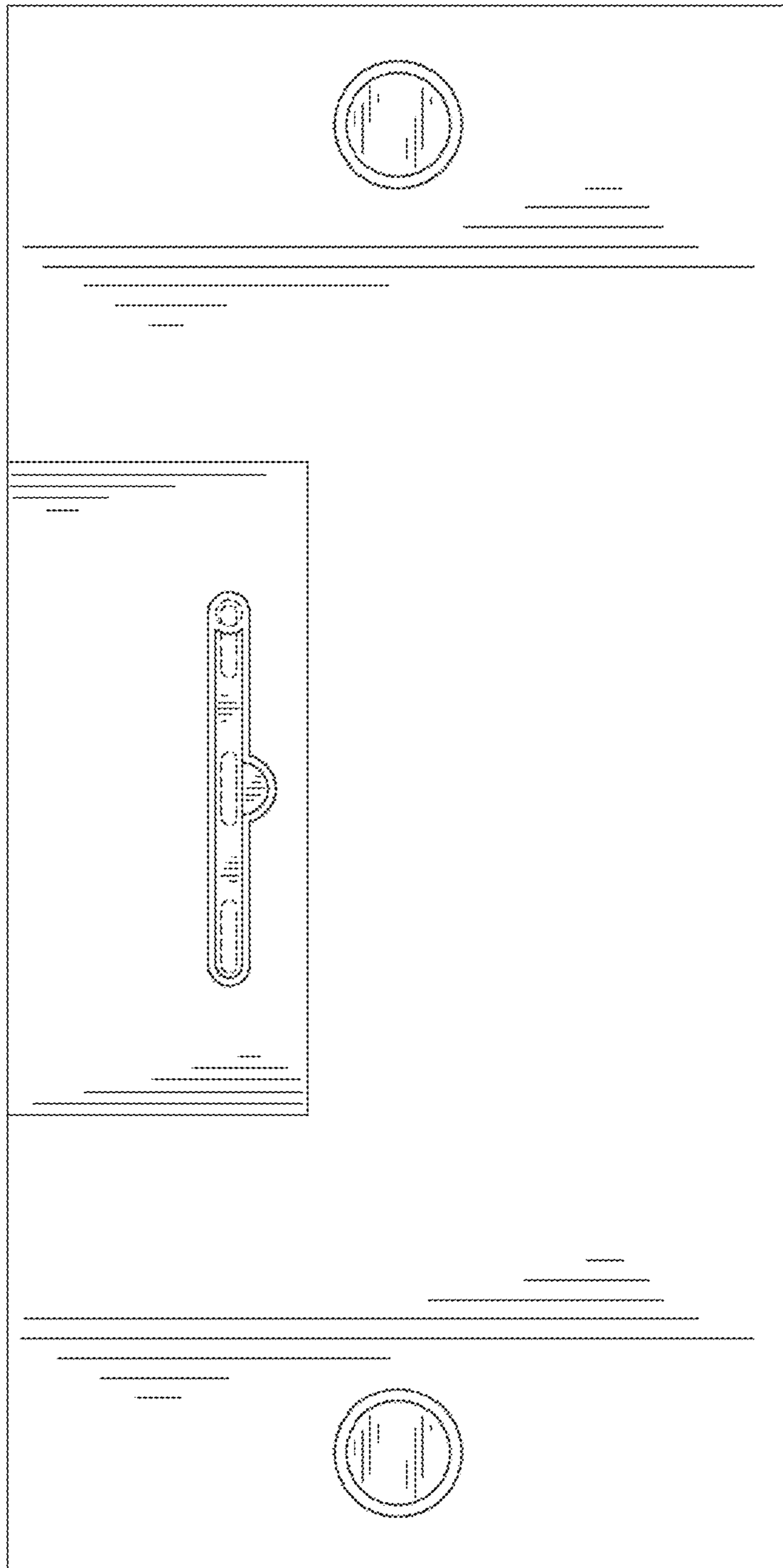


FIG. 7

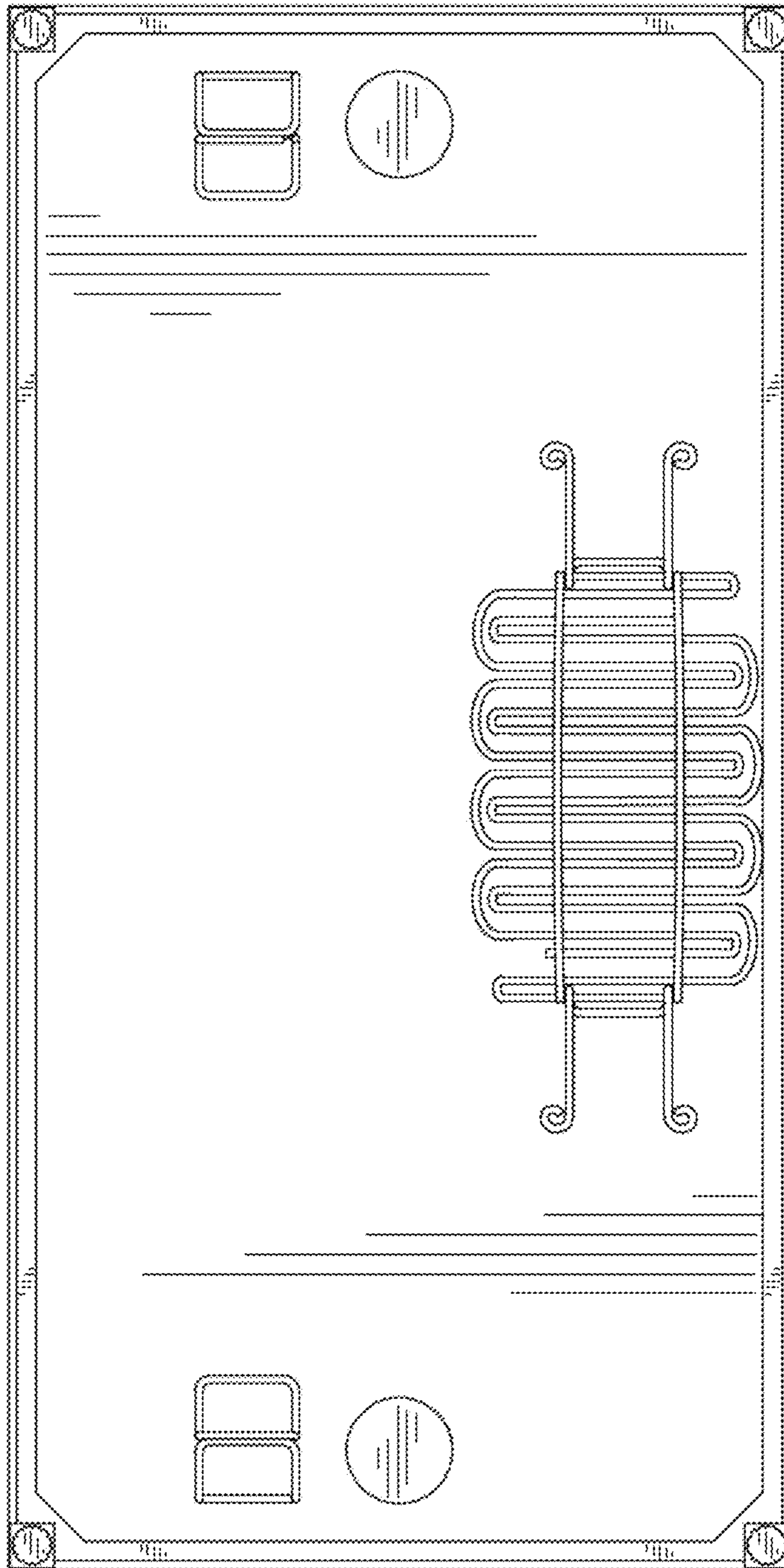


FIG. 8

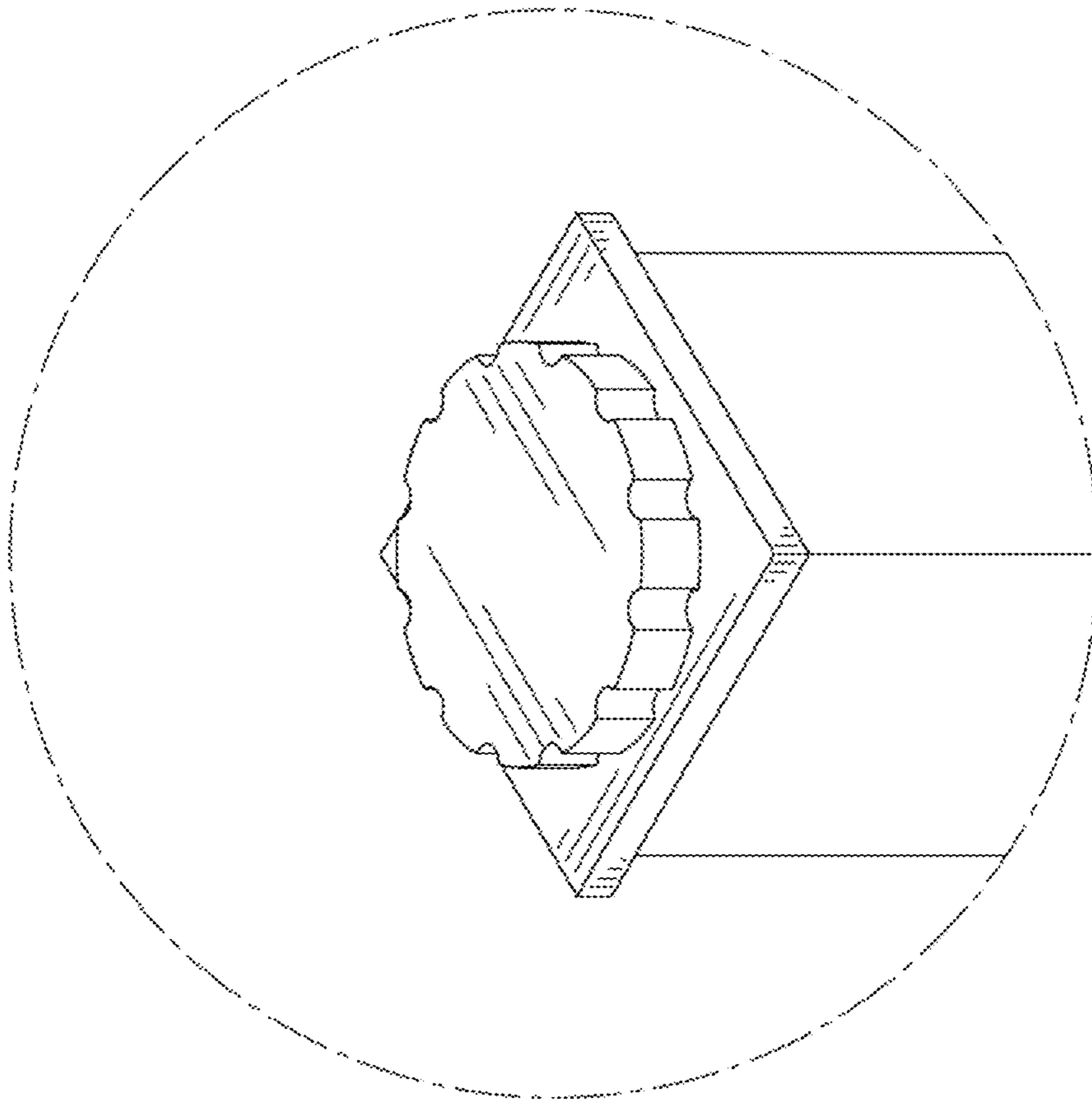


FIG. 9

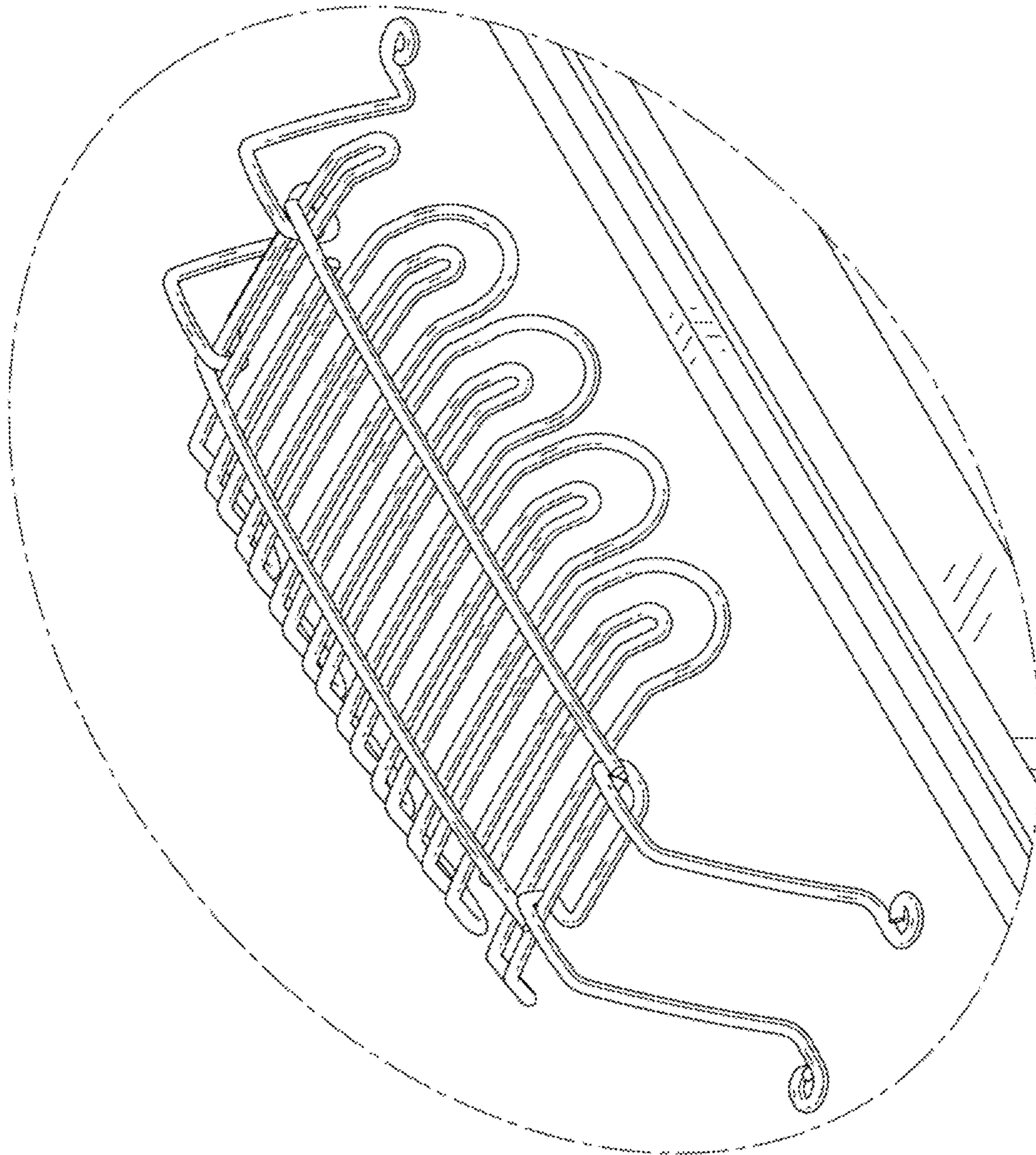


FIG. 10