



US00D875439S

(12) **United States Design Patent** (10) **Patent No.:** **US D875,439 S**
Brucha (45) **Date of Patent:** **** Feb. 18, 2020**

(54) **WORKSTATION**
(71) Applicant: **Bernard Brucha**, Los Angeles, CA (US)
(72) Inventor: **Bernard Brucha**, Los Angeles, CA (US)
(**) Term: **15 Years**
(21) Appl. No.: **29/684,366**
(22) Filed: **Mar. 20, 2019**

D662,336 S * 6/2012 Martin D6/656
D745,294 S * 12/2015 Murray D6/644
D783,316 S * 4/2017 Davis D6/655.1
D786,594 S * 5/2017 Yamamoto D6/702
10,202,992 B2 * 2/2019 Matthai F16M 13/022
D856,724 S * 8/2019 Brucha D6/707.19
2008/0289545 A1 * 11/2008 Picchio A47B 9/04
108/106

(Continued)

Primary Examiner — Mary Ann Calabrese
Assistant Examiner — Catherine Ho
(74) *Attorney, Agent, or Firm* — Spencer Fane LLP;
Steven J. Laureanti

Related U.S. Application Data

(62) Division of application No. 29/144,460, filed on Aug. 18, 2017, now Pat. No. Des. 856,724.
(51) **LOC (12) Cl.** **06-03**
(52) **U.S. Cl.**
USPC **D6/642; D6/643**
(58) **Field of Classification Search**
USPC D6/640, 641, 642, 643, 643.1, 644, 648, D6/648.1, 648.3, 648.4, 649, 650, 651, D6/652, 655, 655.1, 655.11, 656, 668, D6/685, 688.11, 688.21, 688.27, 690, D6/695, 698, 696.1, 700, 709.22
CPC A47B 9/00; A47B 9/04; A47B 9/06; A47B 3/08; A47B 21/00; A47B 21/02; A47B 21/06; A47B 21/007; A47B 21/0314; A47B 2009/185; A47B 2200/0013; A47B 2200/0026; A47B 2200/0085; A47B 2200/0087
See application file for complete search history.

(57) **CLAIM**

The ornamental design for a workstation, as shown and described.

DESCRIPTION

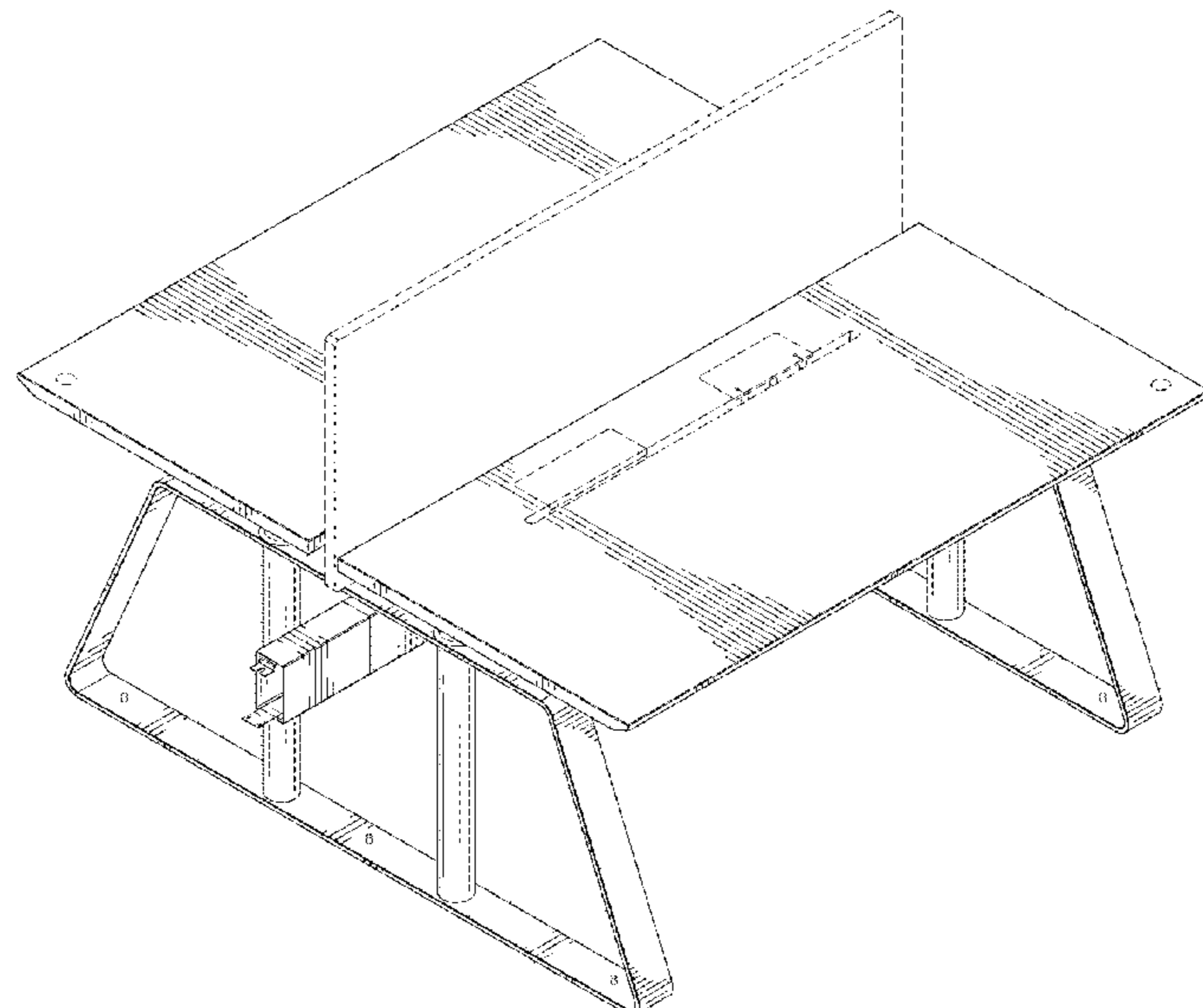
FIG. 1 is a perspective view of a workstation, showing my new design;
FIG. 2 is a front view thereof;
FIG. 3 is a rear view thereof;
FIG. 4 is a right side view thereof;
FIG. 5 is a left side view thereof;
FIG. 6 is a top view thereof;
FIG. 7 is a bottom view thereof;
FIG. 8 is a bottom perspective view thereof;
FIG. 9 is a front perspective view of a workstation with one work surface elevated;
FIG. 10 is a front perspective view of a workstation with both work surfaces elevated; and,
FIG. 11 is a front perspective view of a workstation in an environment of use.
The broken lines in the figures immediately adjacent the solid lines represent the bounds of the claim, and the broken lines and the area within the broken lines represent unclaimed portions of the present invention. None of the broken lines form a part of the claimed design.

(56) **References Cited**

U.S. PATENT DOCUMENTS

D212,541 S * 10/1968 Taylor D6/642
D216,991 S * 3/1970 Glanfagna D6/643.1
D596,876 S * 7/2009 Oshinomi D6/644
D637,836 S * 5/2011 Cortivo D6/656

1 Claim, 11 Drawing Sheets



(56)

References Cited

U.S. PATENT DOCUMENTS

2015/0091425 A1* 4/2015 Rheault A47B 13/10
312/328
2017/0354247 A1* 12/2017 Matthai F16M 13/022

* cited by examiner

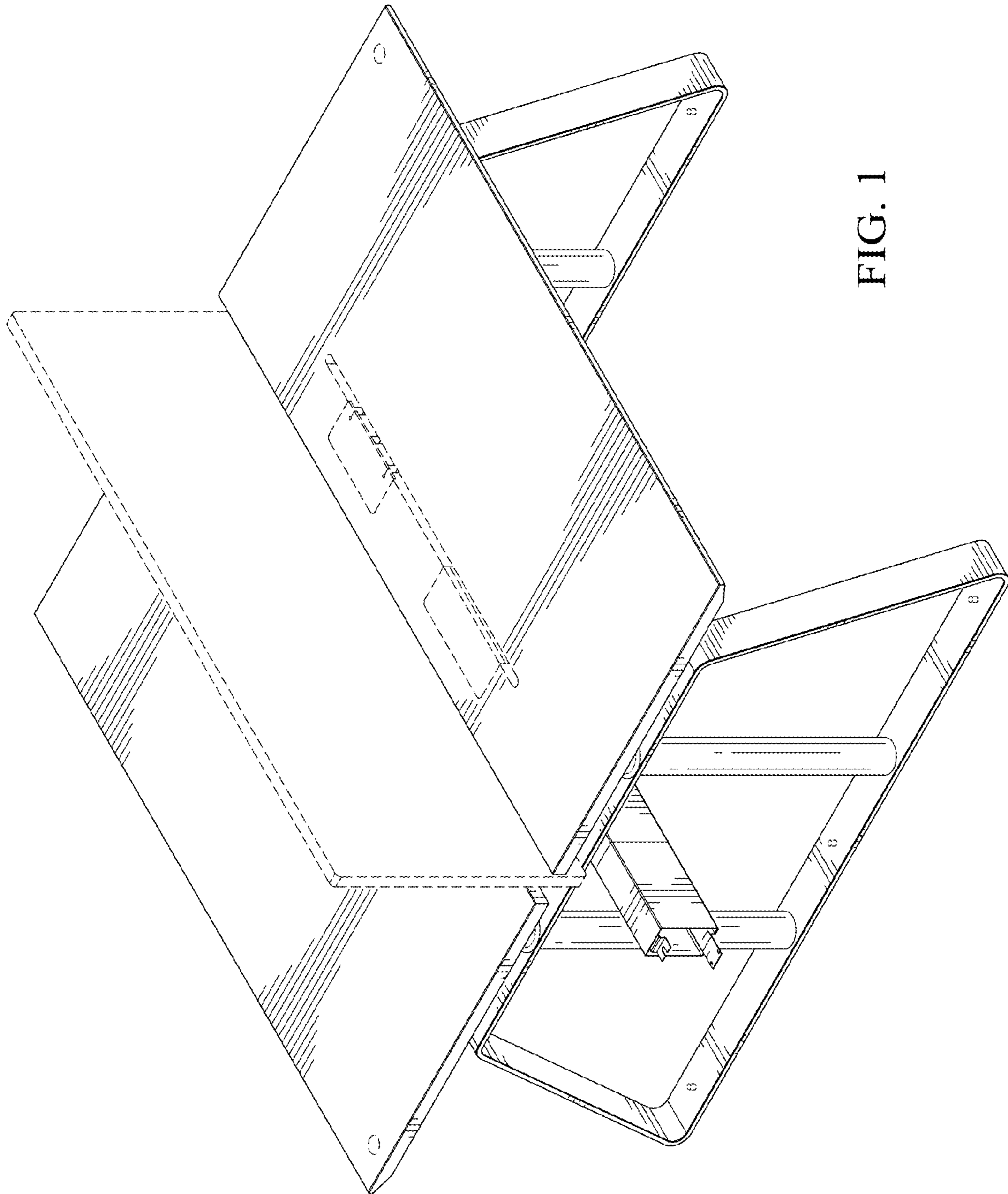


FIG. 1

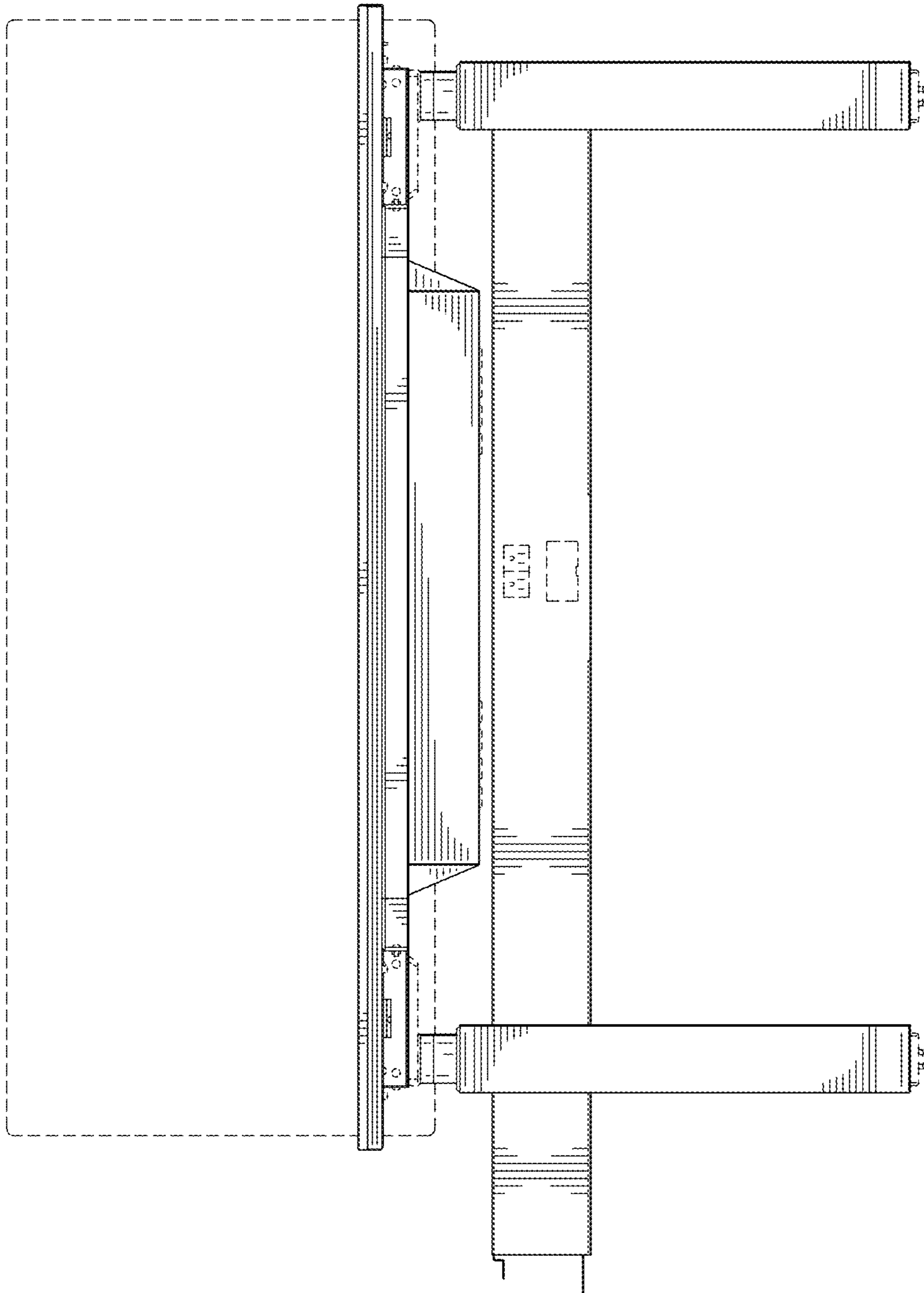


FIG. 2

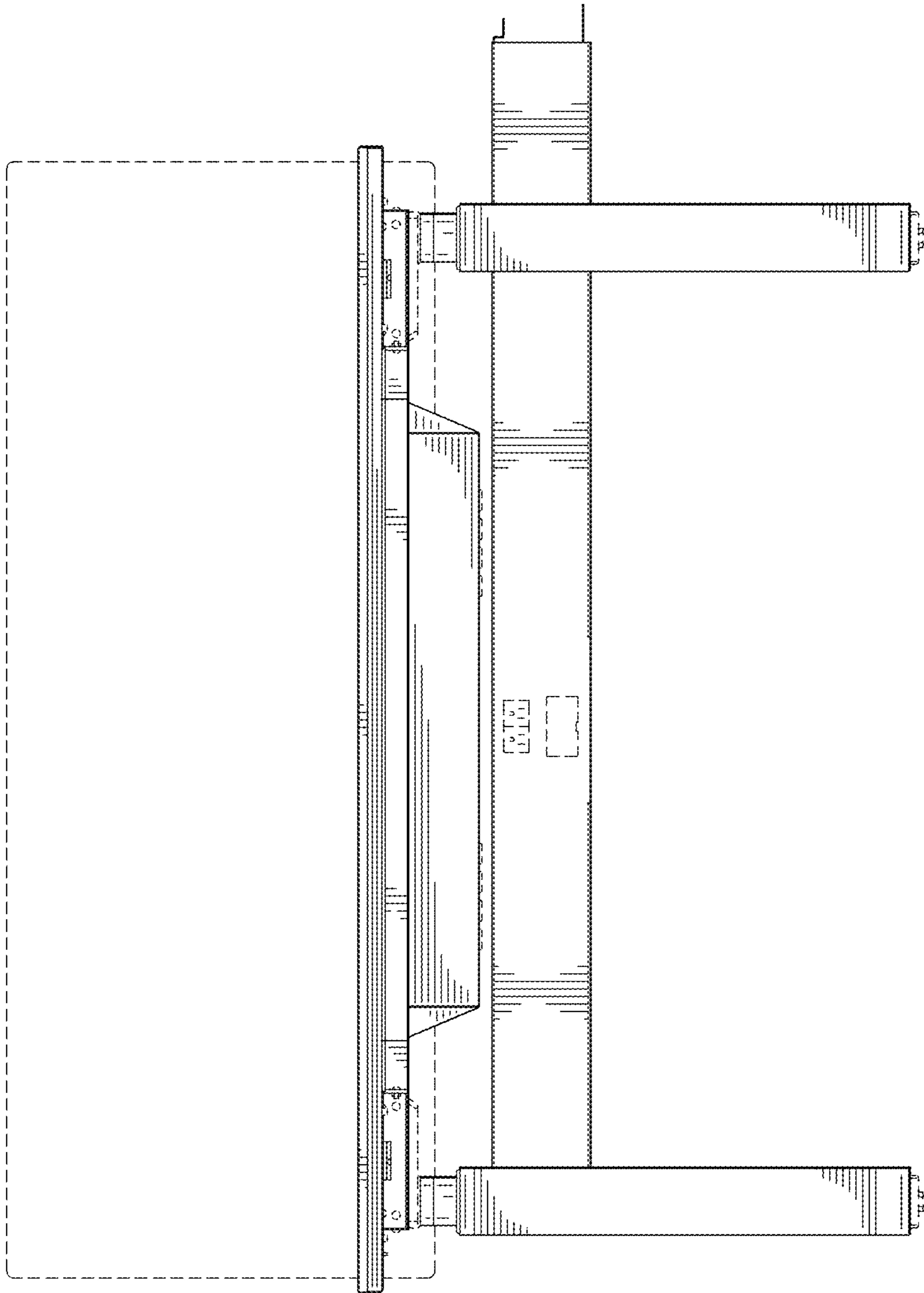


FIG. 3

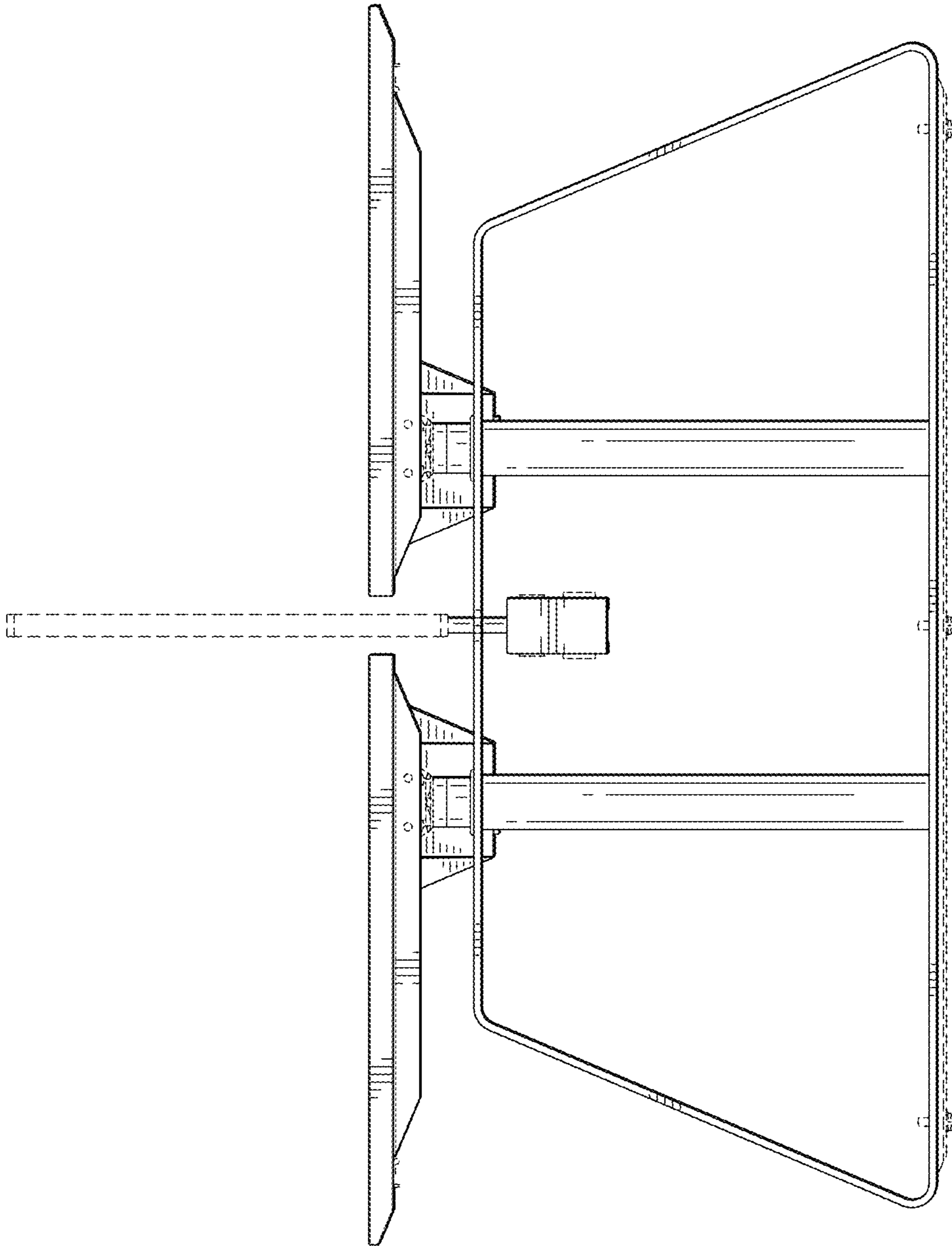


FIG. 4

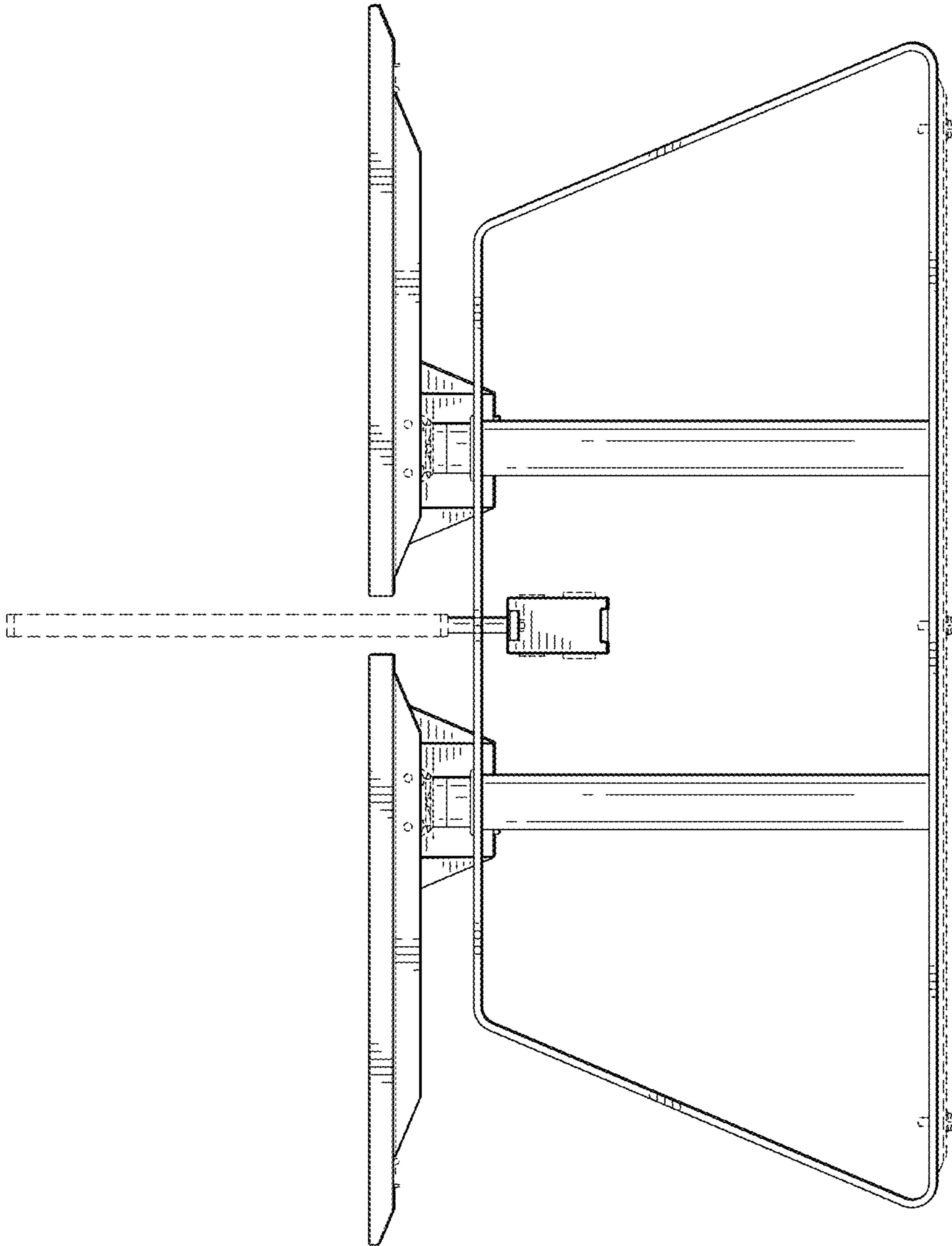


FIG. 5

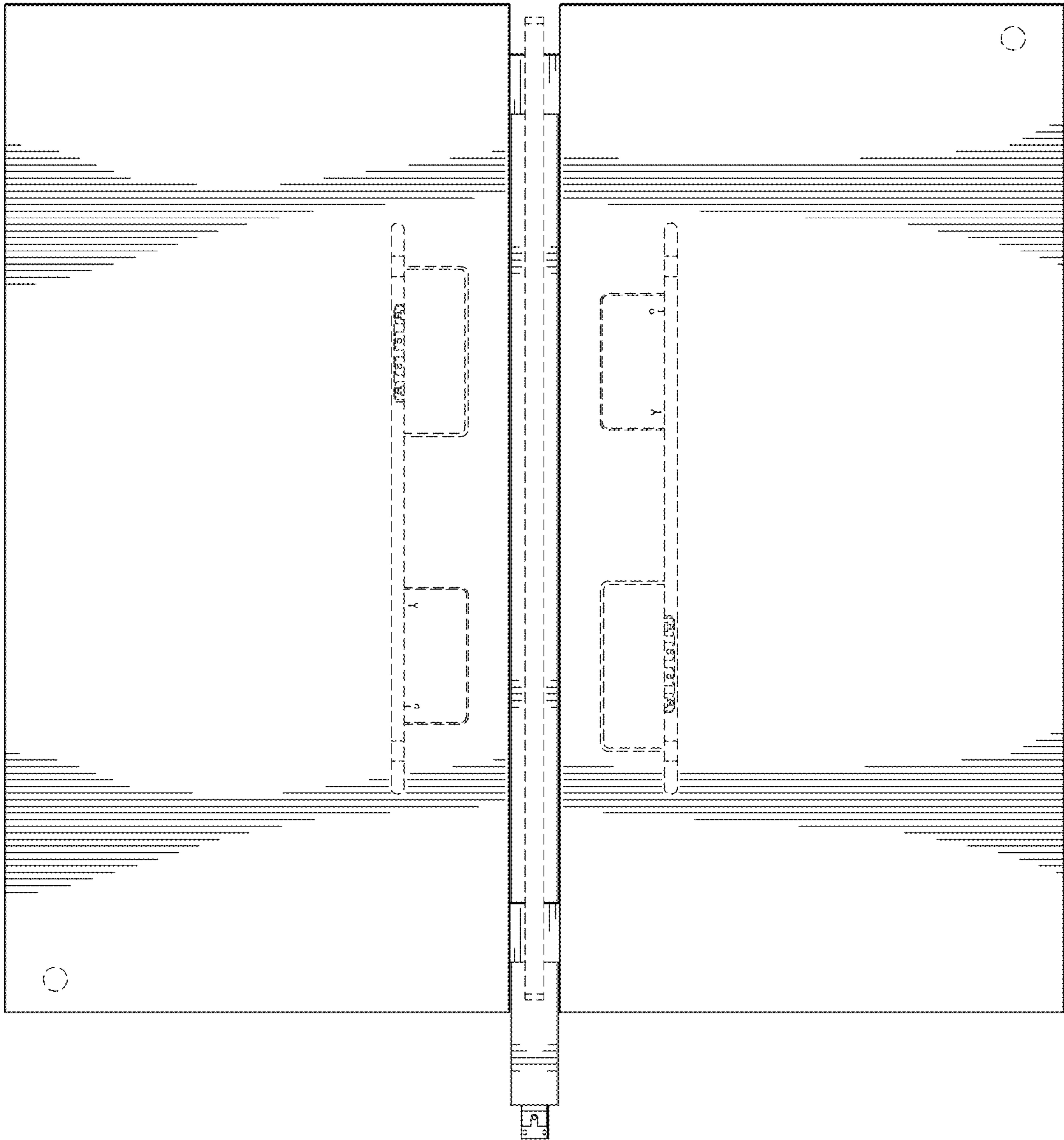


FIG. 6

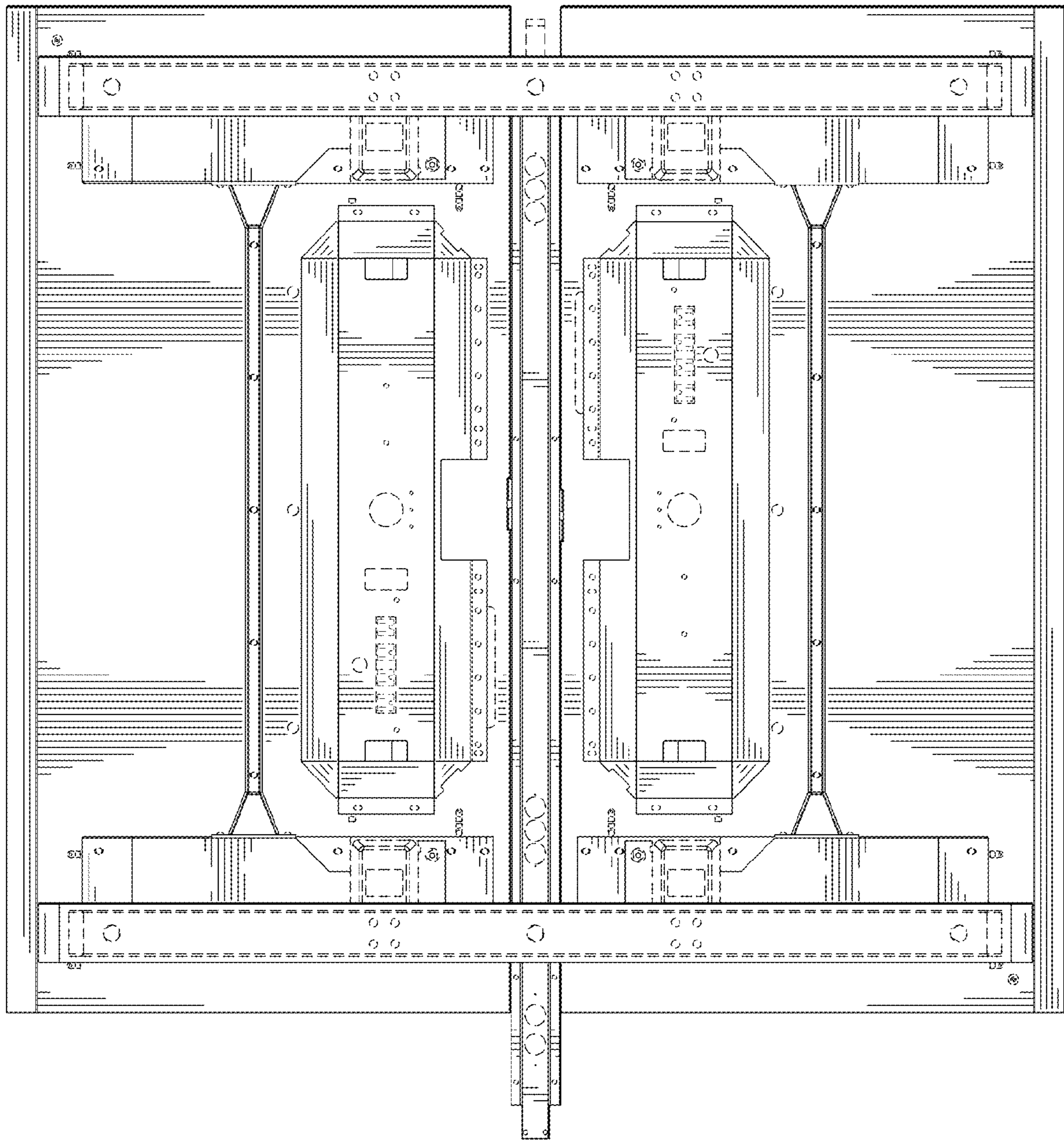


FIG. 7

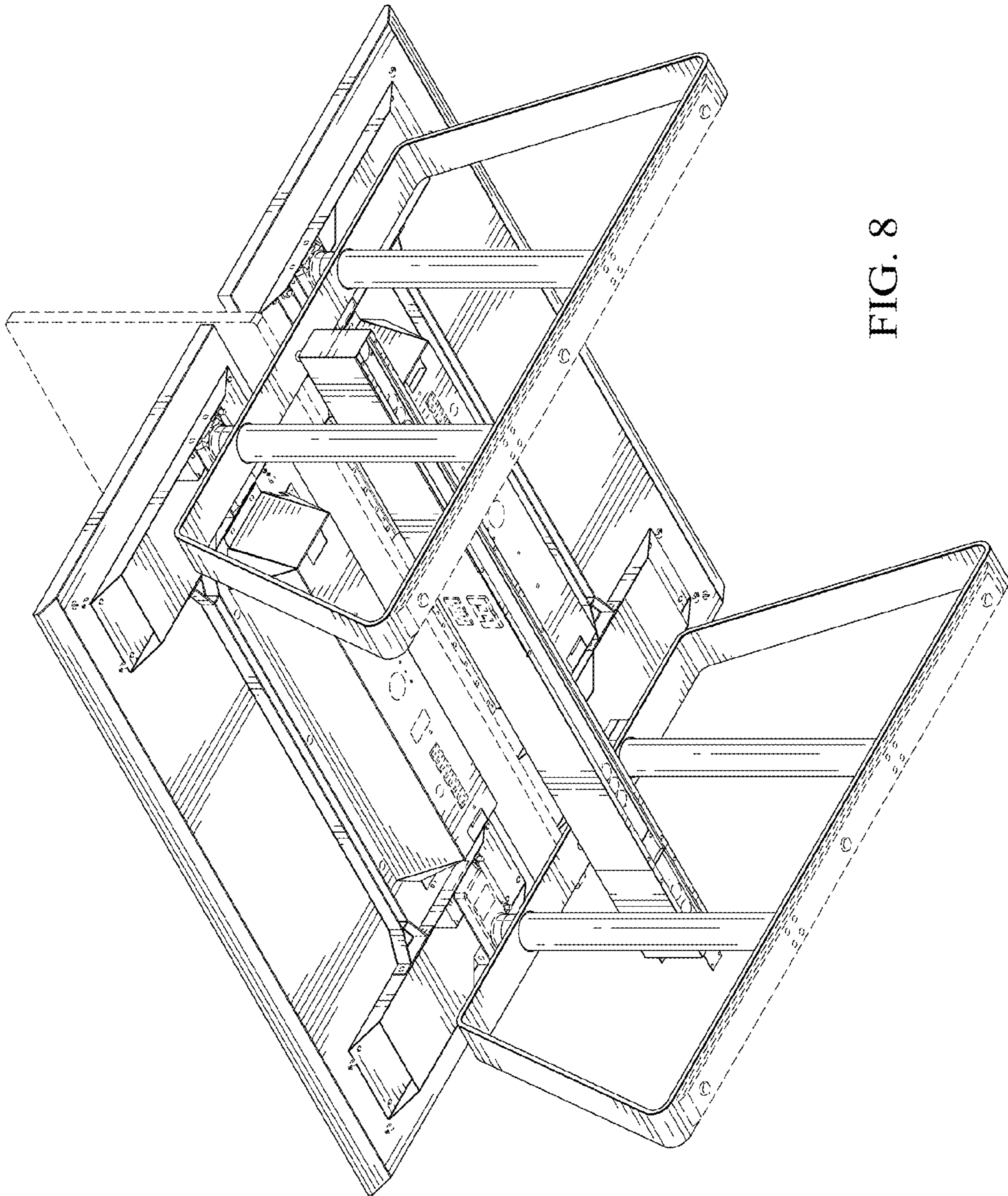


FIG. 8

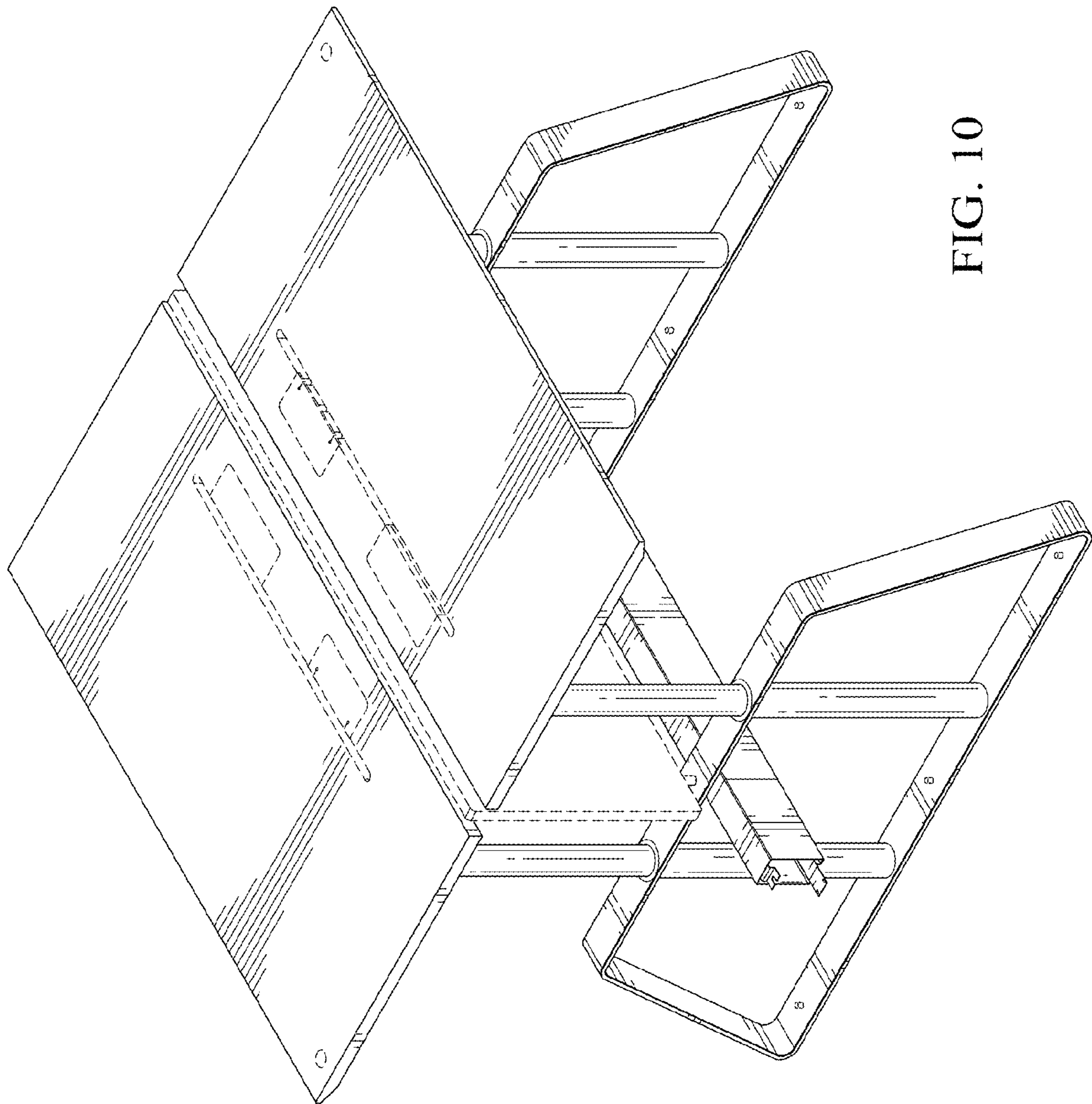


FIG. 10

