



US00D875437S

(12) **United States Design Patent**
Nicholson

(10) **Patent No.:** **US D875,437 S**

(45) **Date of Patent:** **** Feb. 18, 2020**

(54) **PILLOW**

(71) Applicant: **Brigette Nicholson**, Cerritos, CA (US)

(72) Inventor: **Brigette Nicholson**, Cerritos, CA (US)

(**) Term: **15 Years**

(21) Appl. No.: **29/660,022**

(22) Filed: **Aug. 14, 2018**

(51) **LOC (12) Cl.** **06-09**

(52) **U.S. Cl.**
USPC **D6/601**

(58) **Field of Classification Search**
USPC D6/601, 382, 383; D24/183, 191, 190
CPC A47C 7/383; A47C 16/005; A47C 20/00;
A47C 20/02; A47C 20/027; A47C 20/04;
A47C 20/021; A47G 2009/1018; A47G
9/10; A47G 9/1081; A47G 9/0253; A47G
9/1045; A47G 9/1072; A47G 9/109;
A61G 7/072; A61G 13/121; A61G
13/1225; A61G 13/122; A61G 7/075;
A41D 13/06

See application file for complete search history.

(56) **References Cited**

U.S. PATENT DOCUMENTS

- 2,318,059 A * 5/1943 Cooper A47C 16/04
280/32.5
- 3,393,012 A * 7/1968 Chancellor, Jr. A47C 7/029
5/654.1
- D259,458 S * 6/1981 Fuller 5/655
- D291,521 S * 8/1987 Holloway D6/596
- D296,048 S * 6/1988 Eie D34/23
- 4,930,171 A * 6/1990 Frantz A47C 7/021
297/DIG. 1
- D327,389 S * 6/1992 Flores D6/601
- D330,957 S * 11/1992 Contrini 280/32.6
- D342,855 S * 1/1994 Butler, II 5/655

- 5,522,106 A * 6/1996 Harrison A61G 5/1045
5/653
- 5,882,081 A * 3/1999 Earl, Jr. A47C 9/027
280/32.6
- 6,142,573 A * 11/2000 Harding A61G 5/1043
297/452.25
- D463,701 S * 10/2002 Borcharding D6/601
- D474,637 S * 5/2003 Scheetz D6/601
- 6,611,980 B2 * 9/2003 Wempe A47C 27/086
5/654
- D575,024 S * 8/2008 Mays D34/23
- 7,445,292 B2 * 11/2008 Moule B60N 2/643
297/452.25
- 7,574,760 B2 * 8/2009 Foley A47C 7/021
5/655.7
- D629,571 S * 12/2010 Gryner, Jr. D30/119

(Continued)

Primary Examiner — Kevin K Rudzinski

Assistant Examiner — Kimberly Barnes

(74) *Attorney, Agent, or Firm* — Philip Nulud; Buchalter,
A Professional Corporation

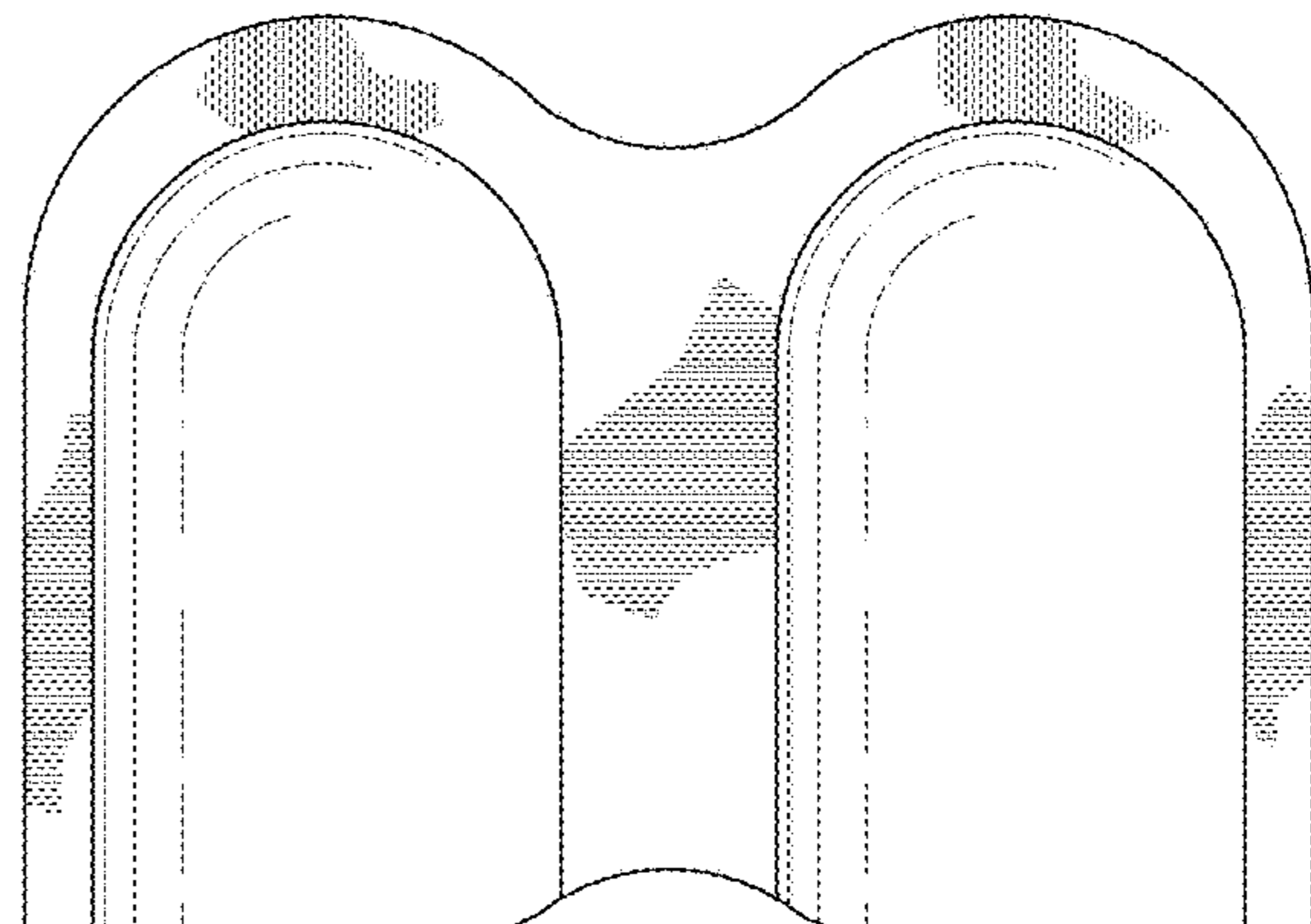
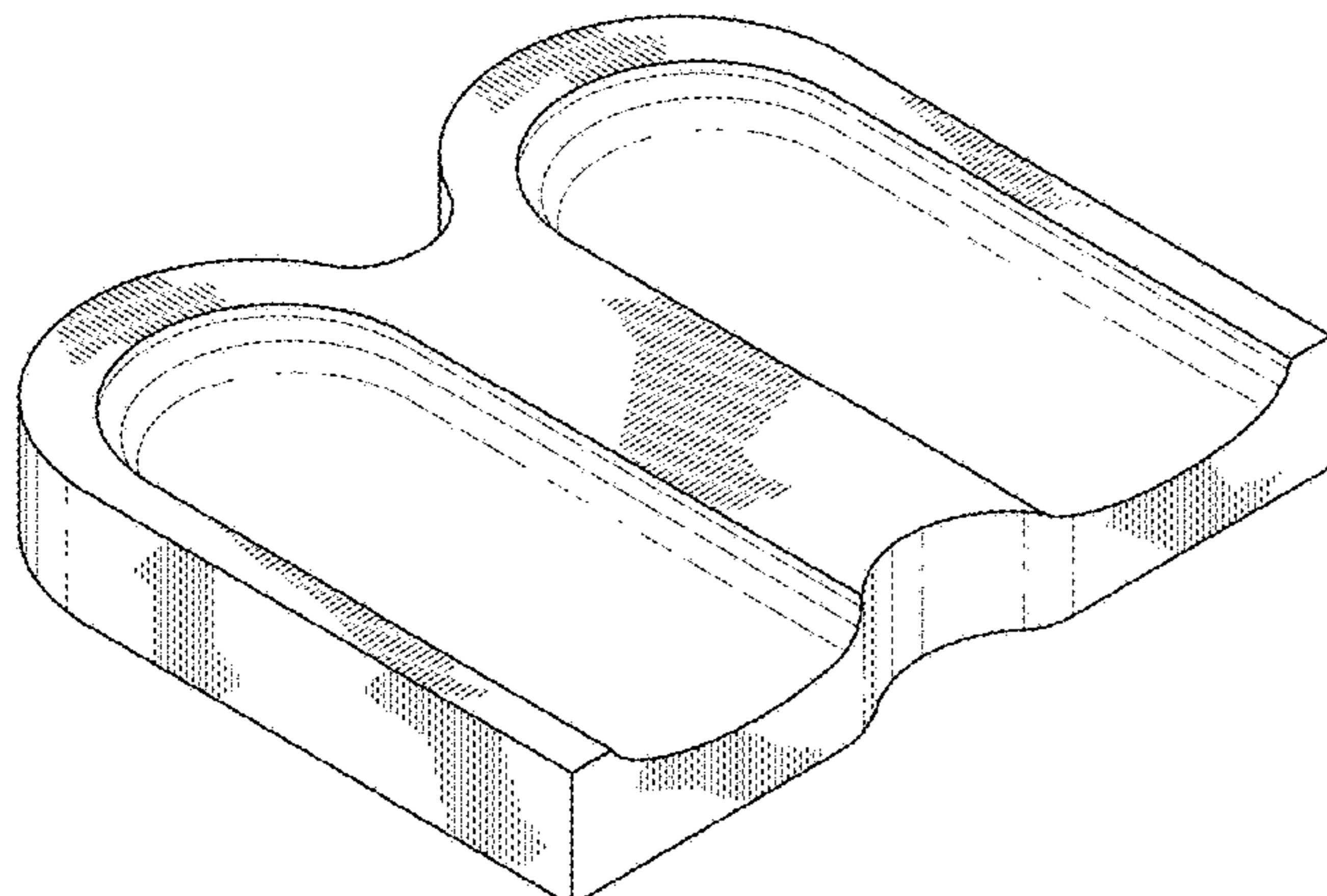
(57) **CLAIM**

The ornamental design for a pillow, as shown and described.

DESCRIPTION

FIG. 1 is a Top and Front perspective view of a pillow showing my new design;
 FIG. 2 is a Top plan view of the pillow illustrated in FIG. 1;
 FIG. 3 is a Bottom plan view of the pillow illustrated in FIG. 1;
 FIG. 4 is a Rear elevation view of the pillow illustrated in FIG. 1;
 FIG. 5 is a Front elevation view of the pillow illustrated in FIG. 1;
 FIG. 6 is a Left side elevation view of the pillow illustrated in FIG. 1; and,
 FIG. 7 is a Right side elevation view of the pillow illustrated in FIG. 1.

1 Claim, 3 Drawing Sheets



(56)

References Cited

U.S. PATENT DOCUMENTS

7,946,655	B2 *	5/2011	Hsu	A47C 7/746 297/452.46
D646,066	S *	10/2011	Debevec	D6/333
D647,338	S *	10/2011	Wu	D6/716.1
D707,997	S *	7/2014	English	D6/716.1
D759,402	S *	6/2016	Thomas	D6/601
D809,823	S *	2/2018	Lu	D6/582
2015/0089743	A1 *	4/2015	Haworth	A47G 9/109 5/640

* cited by examiner

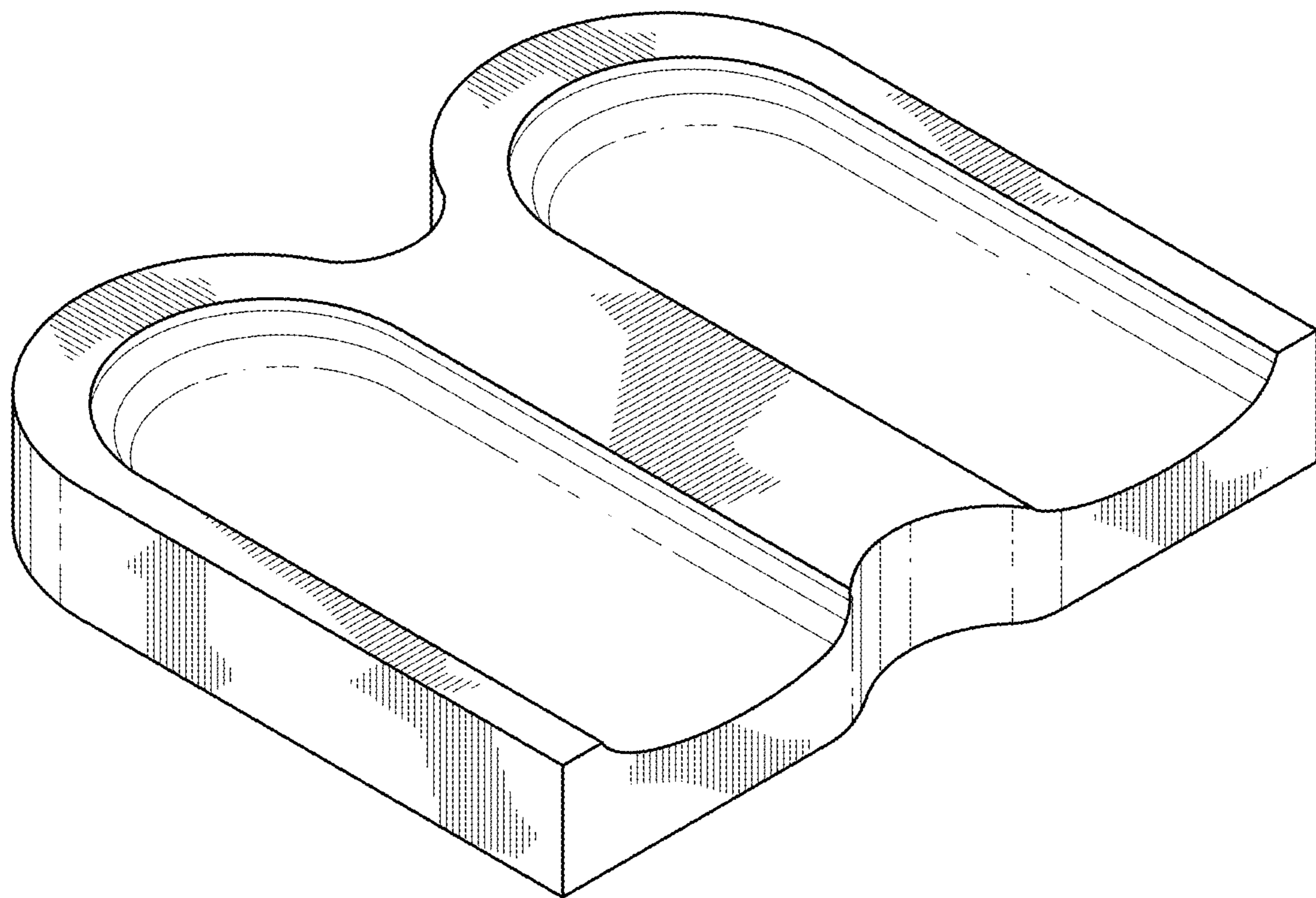


FIG. 1

FIG. 2

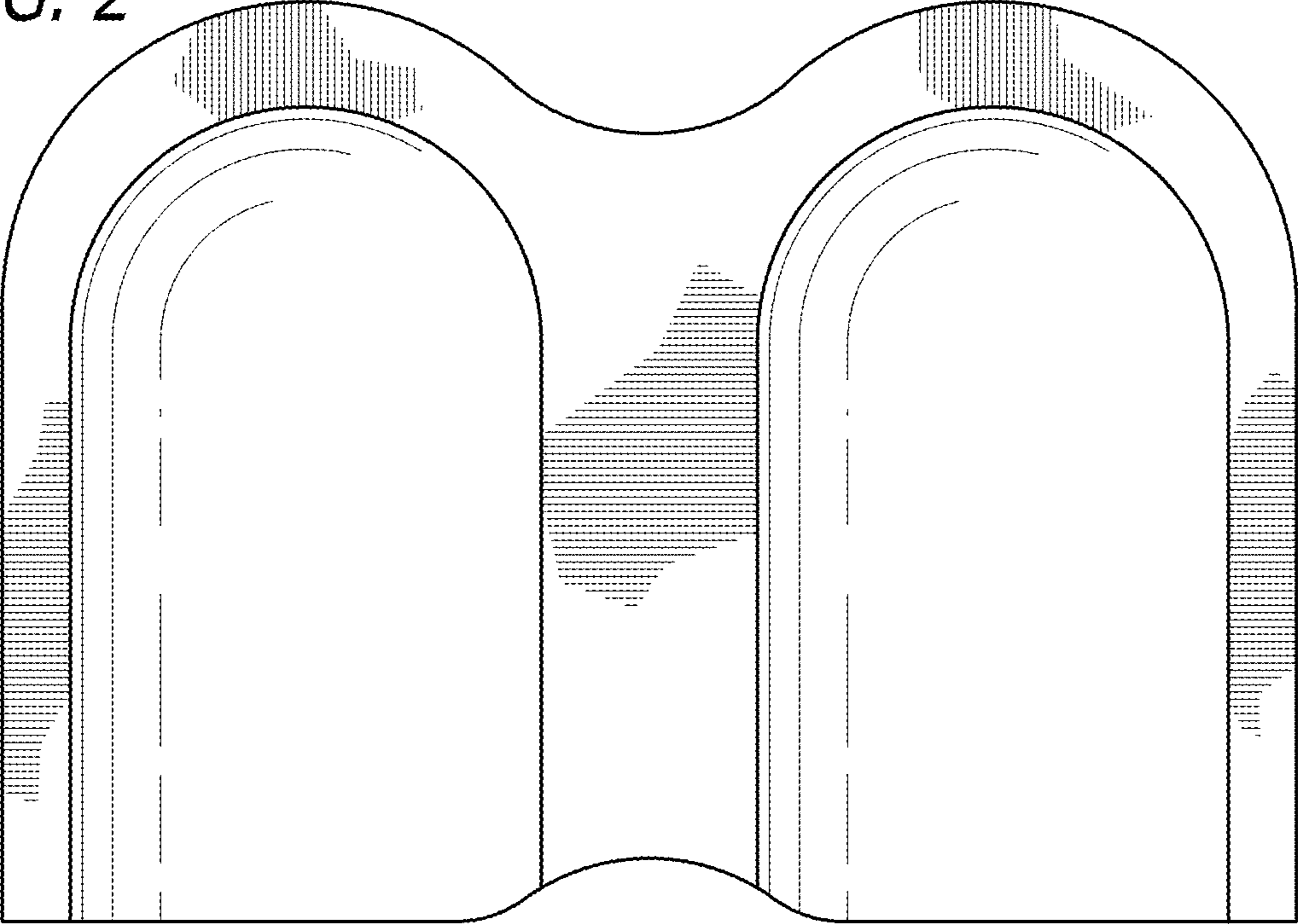
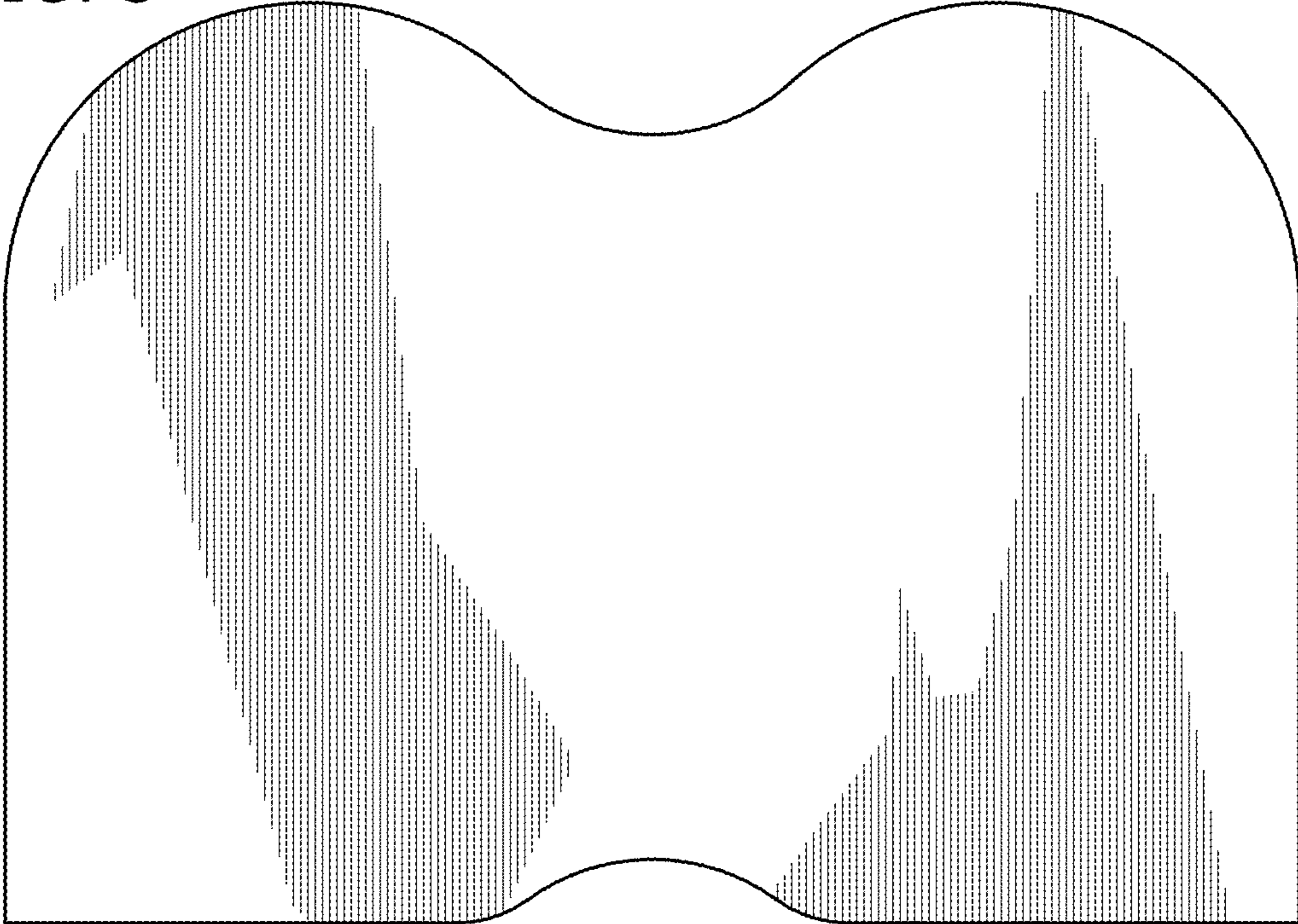


FIG. 3



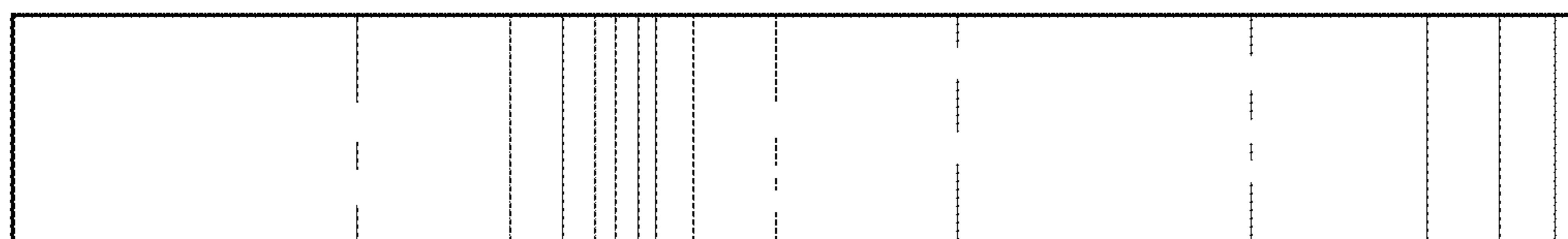


FIG. 4

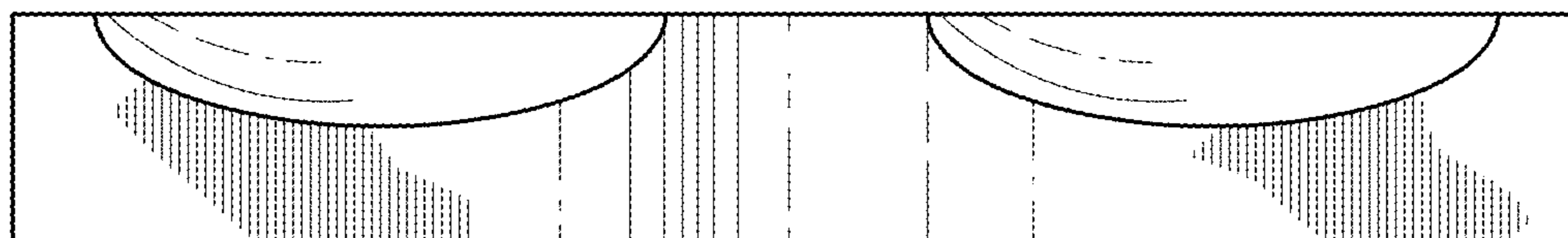


FIG. 5

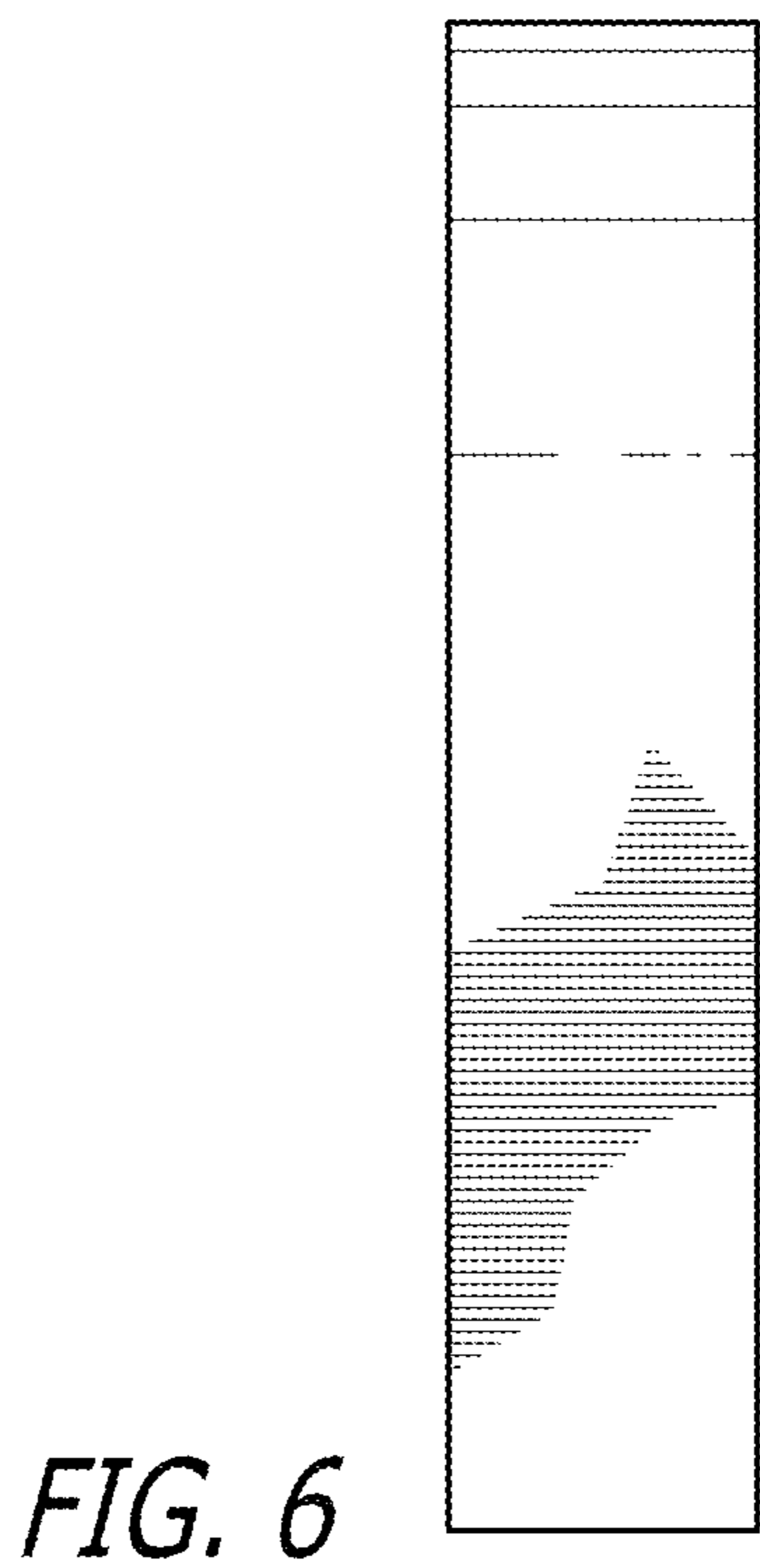


FIG. 6

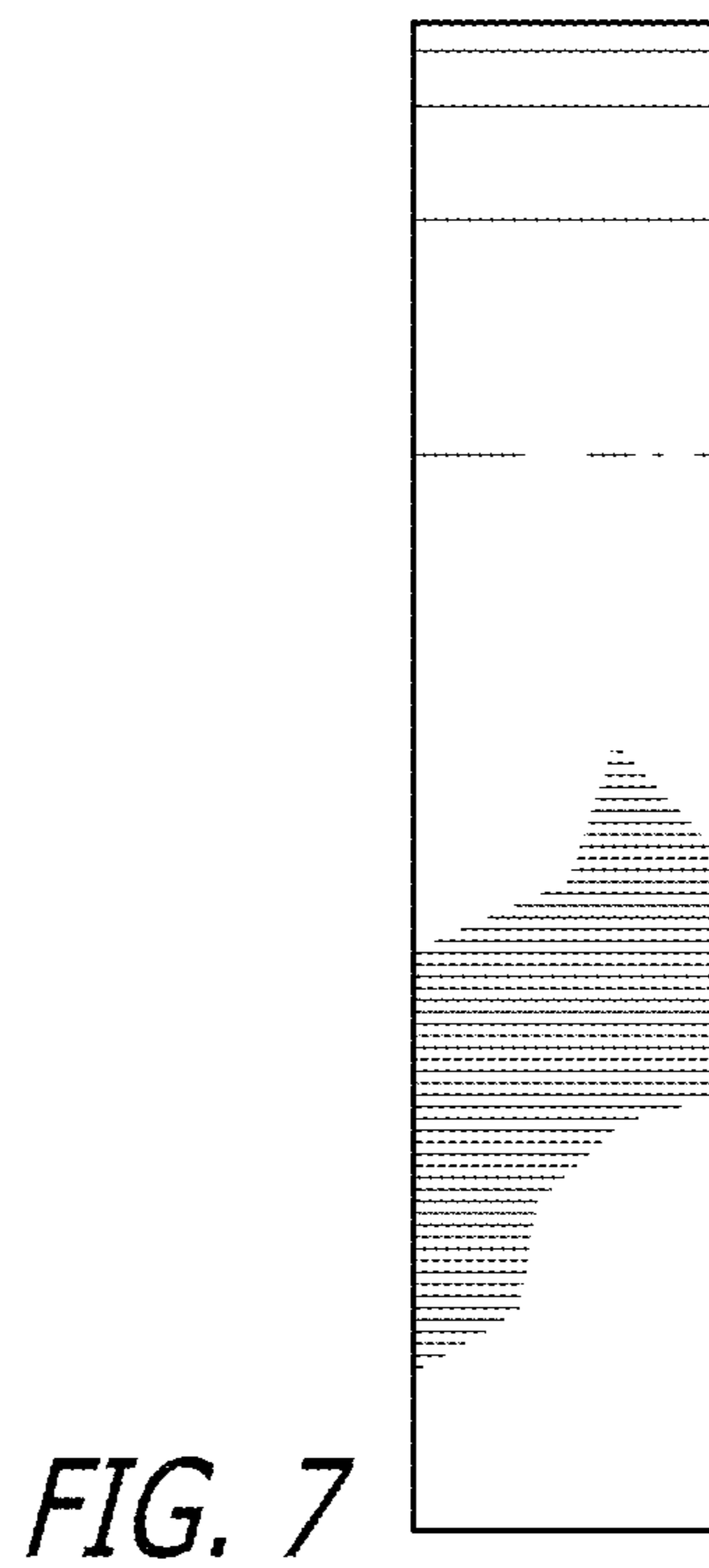


FIG. 7