



US00D875436S

(12) **United States Design Patent** (10) **Patent No.:** **US D875,436 S**
Brasington et al. (45) **Date of Patent:** **** Feb. 18, 2020**

(54) **TRAVEL PILLOW**

(71) Applicants: **EvanMarie H. Brasington**, Greenville, SC (US); **Chalbourne R. Brasington**, Greenville, SC (US); **Erin H. Brasington**, Greenville, SC (US); **Grant R. Brasington**, Greenville, SC (US)

(72) Inventors: **EvanMarie H. Brasington**, Greenville, SC (US); **Chalbourne R. Brasington**, Greenville, SC (US); **Erin H. Brasington**, Greenville, SC (US); **Grant R. Brasington**, Greenville, SC (US)

(**) Term: **15 Years**

(21) Appl. No.: **29/659,926**

(22) Filed: **Aug. 14, 2018**

(51) **LOC (12) Cl.** **06-09**

(52) **U.S. Cl.**

USPC **D6/601**

(58) **Field of Classification Search**

USPC D6/601, 382, 383; D24/191

CPC A47C 7/383; A47C 16/005; A47C 20/00;

A47C 20/02; A47C 20/027; A47C 20/04;

A47G 2009/1018; A47G 9/10; A47G

9/1027; A47G 9/1081; A47G 9/0253;

A47G 9/1045; A47G 9/1072; A61G

7/072; A61G 13/121; A61G 7/07; A61G

13/1225

See application file for complete search history.

(56) **References Cited**

U.S. PATENT DOCUMENTS

3,273,174 A * 9/1966 Cassini A47C 20/027
5/633

D214,302 S * 6/1969 Barber D6/601

4,173,048 A * 11/1979 Varaney A47C 20/021
5/498

D353,966 S * 1/1995 Rogers D24/191
(Continued)

OTHER PUBLICATIONS

Versillo Travel Pillow for Neck (on-line), no date available. Retrieved from Internet Nov. 1, 2019, URL: <https://www.amazon.com/Versillo-Travel-Pillow-Lumbar-Support/dp/B07S8XMYF8> (1 page).*

(Continued)

Primary Examiner — Kevin K Rudzinski

Assistant Examiner — Kimberly Barnes

(74) *Attorney, Agent, or Firm* — Dority & Manning, P.A.

(57) **CLAIM**

The ornamental design for a travel pillow, as shown and described.

DESCRIPTION

FIG. 1 is a left side perspective view of a travel pillow showing our new design when the travel pillow is secured on a suitcase;

FIG. 2 is a right side perspective view of the travel pillow of our design;

FIG. 3 is a front view of the travel pillow of FIG. 2;

FIG. 4 is a right side view of the travel pillow of FIG. 2;

FIG. 5 is a rear view of the travel pillow of FIG. 2;

FIG. 6 is a left side view of the travel pillow of FIG. 2;

FIG. 7 is a top view of the travel pillow of FIG. 2;

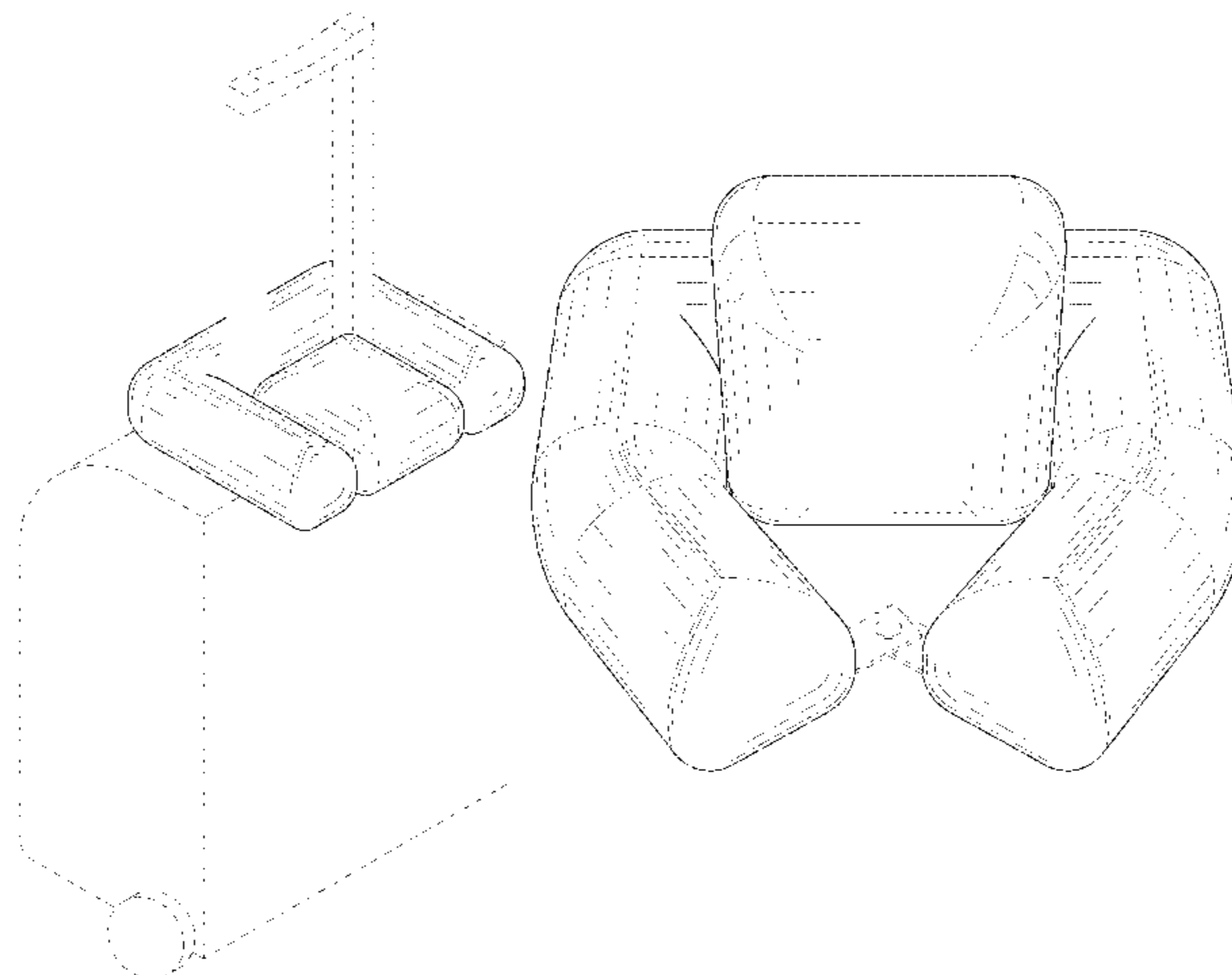
FIG. 8 is a bottom view of the travel pillow of FIG. 2;

FIG. 9 is a rear perspective view of the travel pillow of our design when being worn by a person; and,

FIG. 10 is a front perspective view of the travel pillow of our design.

The broken lines showing a suitcase in FIG. 1 and a person in FIG. 9 represent environmental subject matter and form no part of the claimed design. The remaining broken lines shown on various portions of the travel pillow represent portions of the travel pillow that form no part of the claimed design.

1 Claim, 8 Drawing Sheets



(56)

References Cited

U.S. PATENT DOCUMENTS

D376,503	S *	12/1996	Petersson	D6/596
D384,536	S *	10/1997	Kraft	D6/601
D400,313	S *	10/1998	Chatwell	D30/118
D414,003	S *	9/1999	Hering	D30/118
D416,745	S *	11/1999	Noyes	D6/601
D420,845	S *	2/2000	Rumage	D6/601
6,163,905	A *	12/2000	Noldus-Nilsen	A47G 9/10 5/654
D505,754	S *	5/2005	Cohen-Fyffe	D30/118
D567,456	S *	4/2008	Martin	D30/118
D588,390	S *	3/2009	Brill-Cass	D6/596
D637,440	S	5/2011	Mettler	
D673,410	S *	1/2013	O'Connell	D6/601
D739,668	S	9/2015	Owens	
D762,400	S	8/2016	Wong	
D850,154	S *	6/2019	Gilroy	D6/601
D862,115	S *	10/2019	Kelber	D6/601
2002/0108578	A1 *	8/2002	Kostial	A01K 1/0353 119/28.5
2007/0124861	A1 *	6/2007	Fellows	A47C 20/027 5/630

OTHER PUBLICATIONS

Upstate kidtrepreneur puts own twist on travel pillow (on-line), dated Oct. 29, 2019. Retrieved from Internet Nov. 1, 2019, URL: <https://www.wyff4.com/article/upstate-kidtrepreneur-puts-own-twist-on-travel-pillow/29628407#> (2 pages) (Year: 2019).*

* cited by examiner

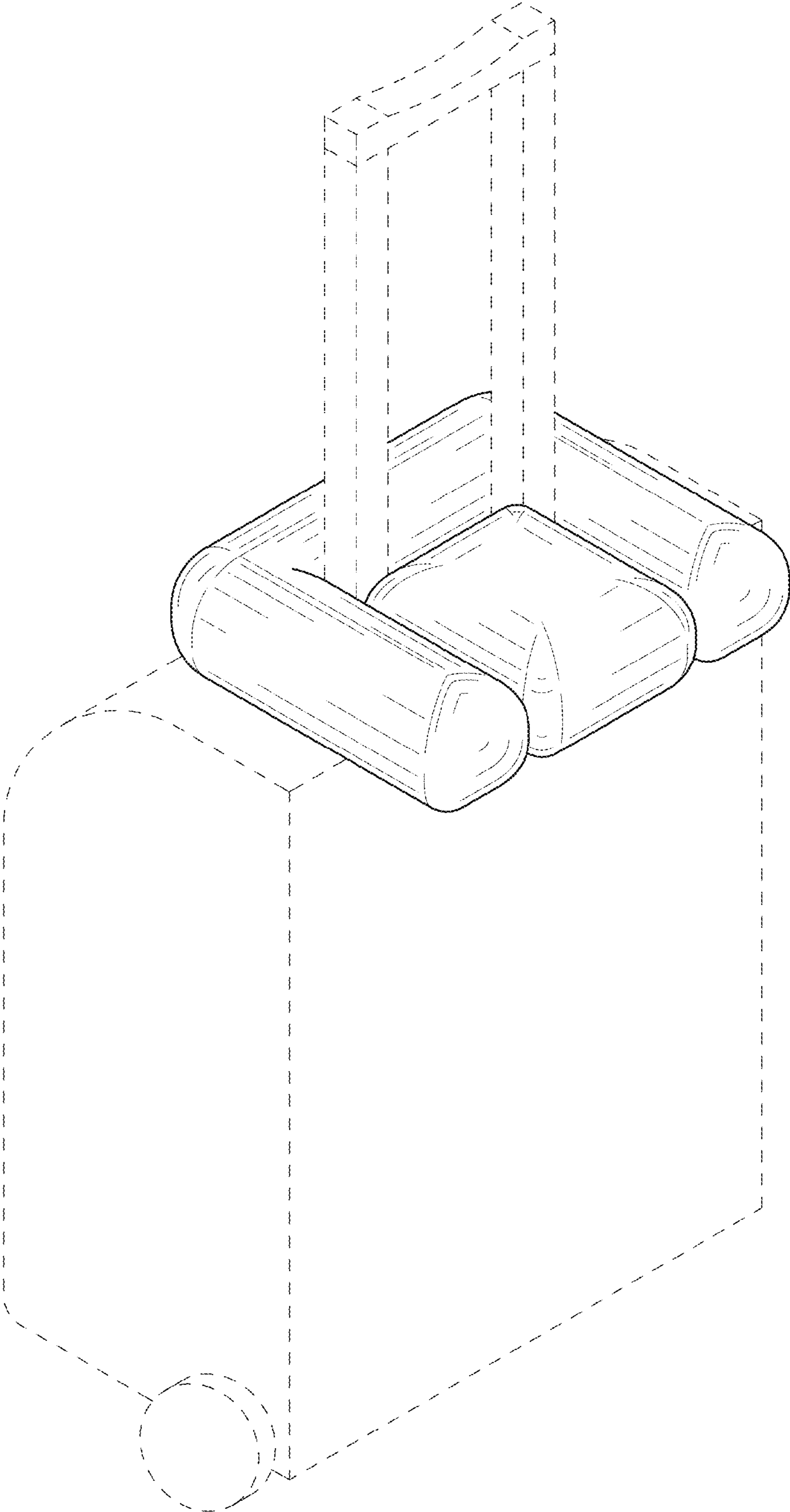


FIG. 1

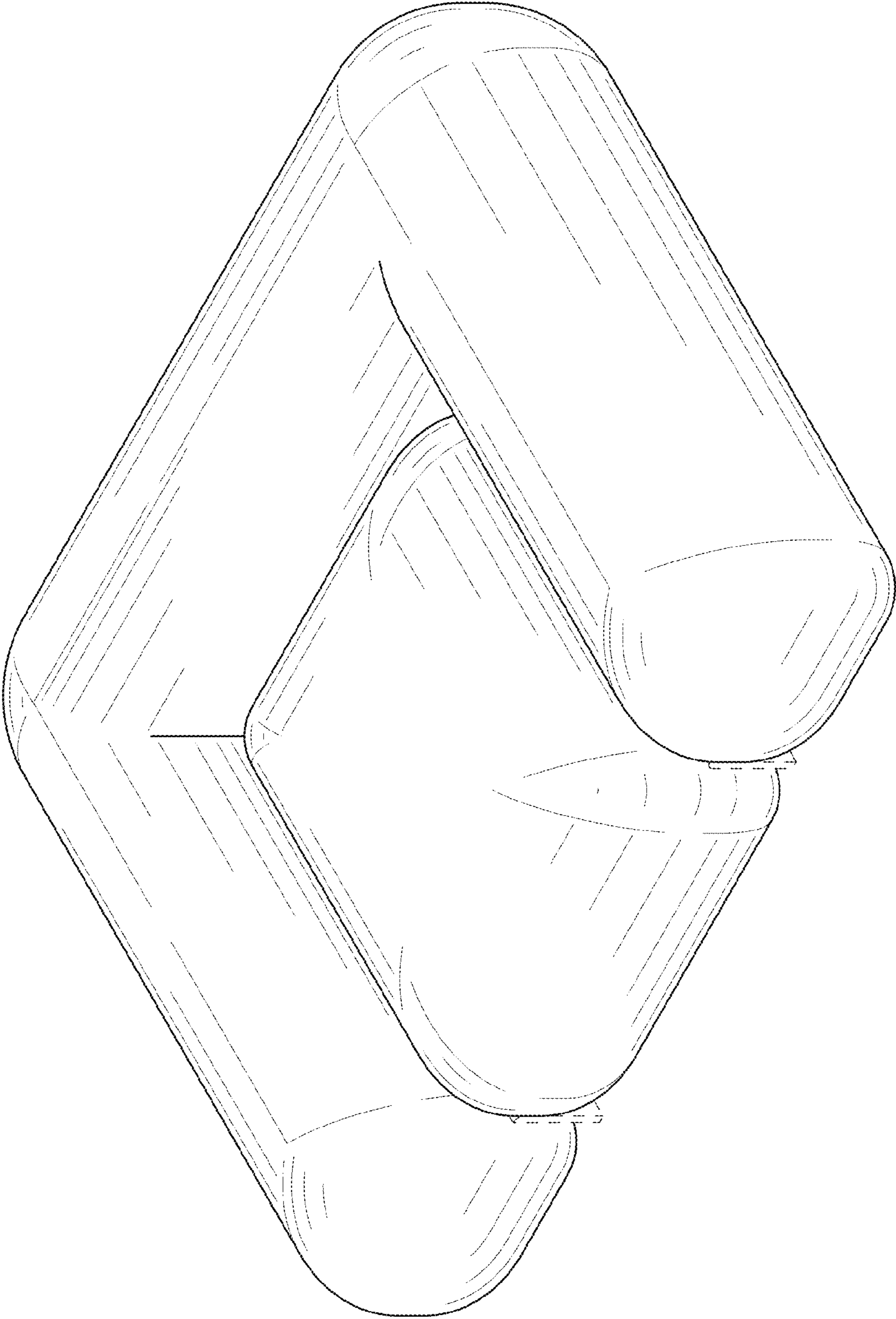


FIG. 2

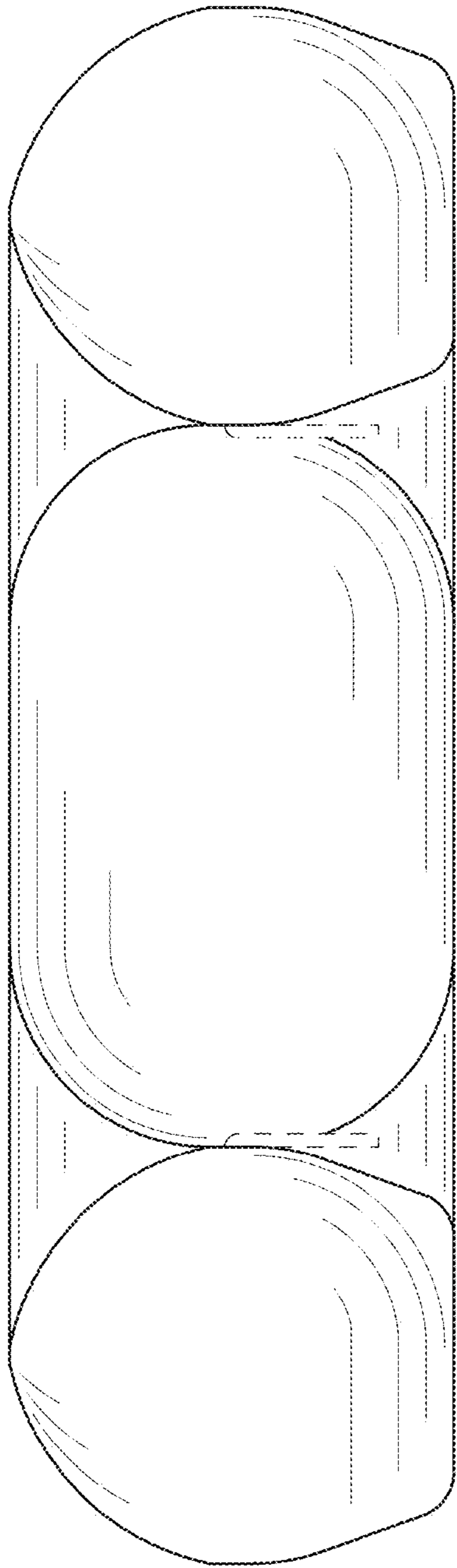


FIG. 3

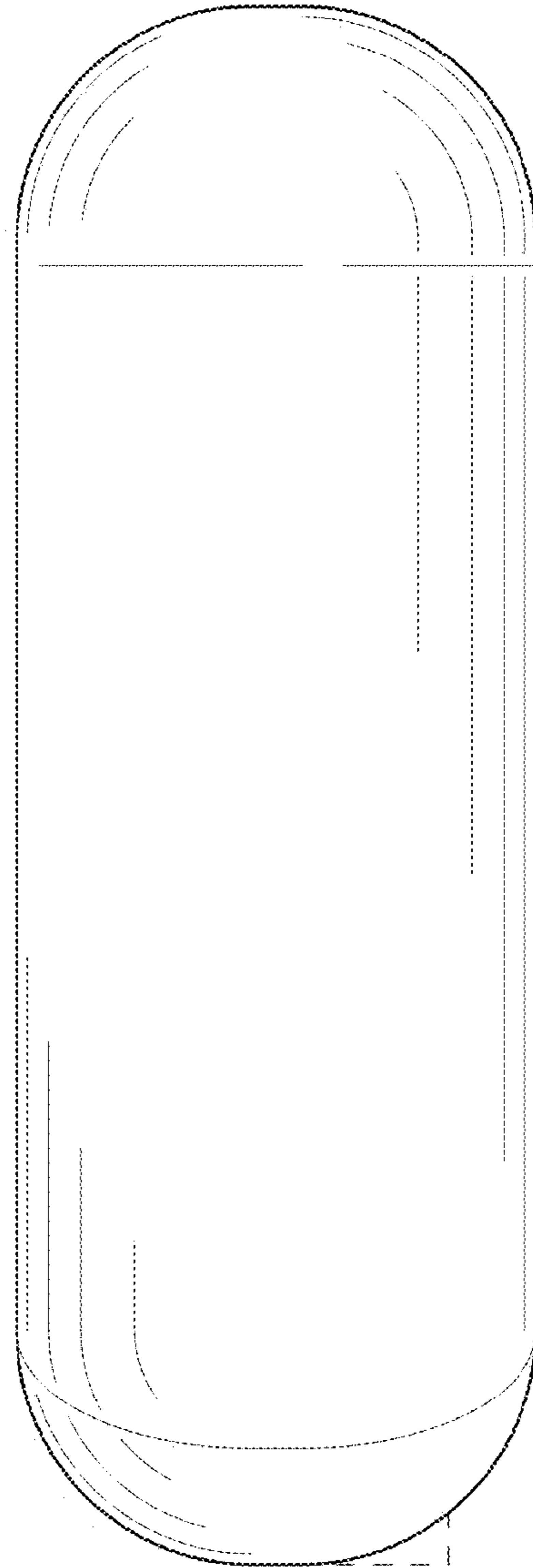


FIG. 4

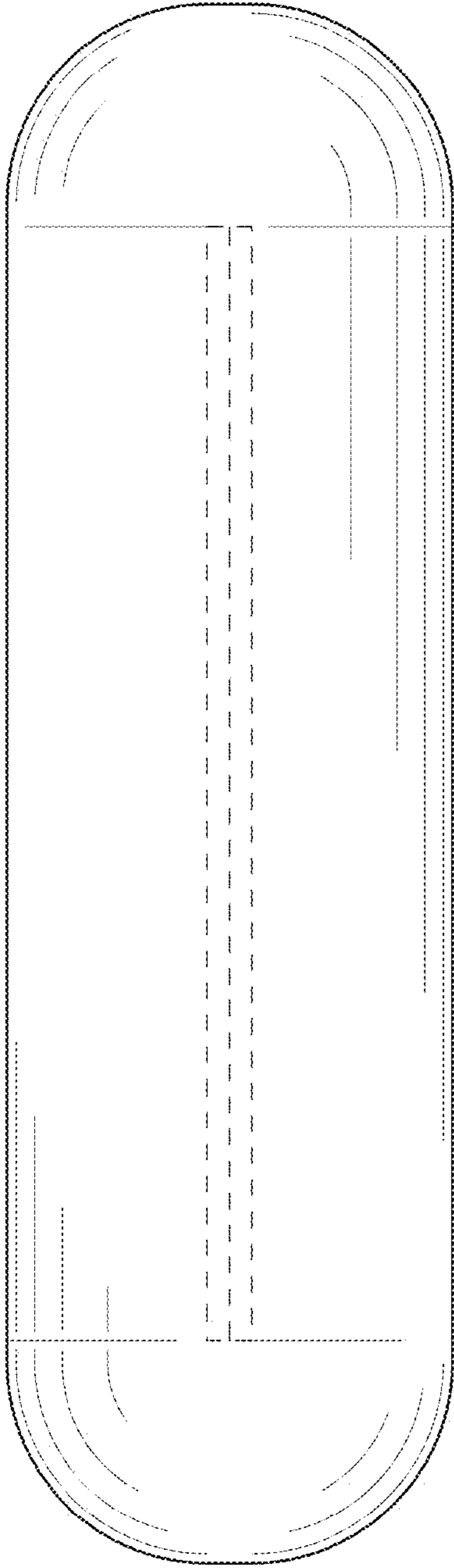


FIG. 5

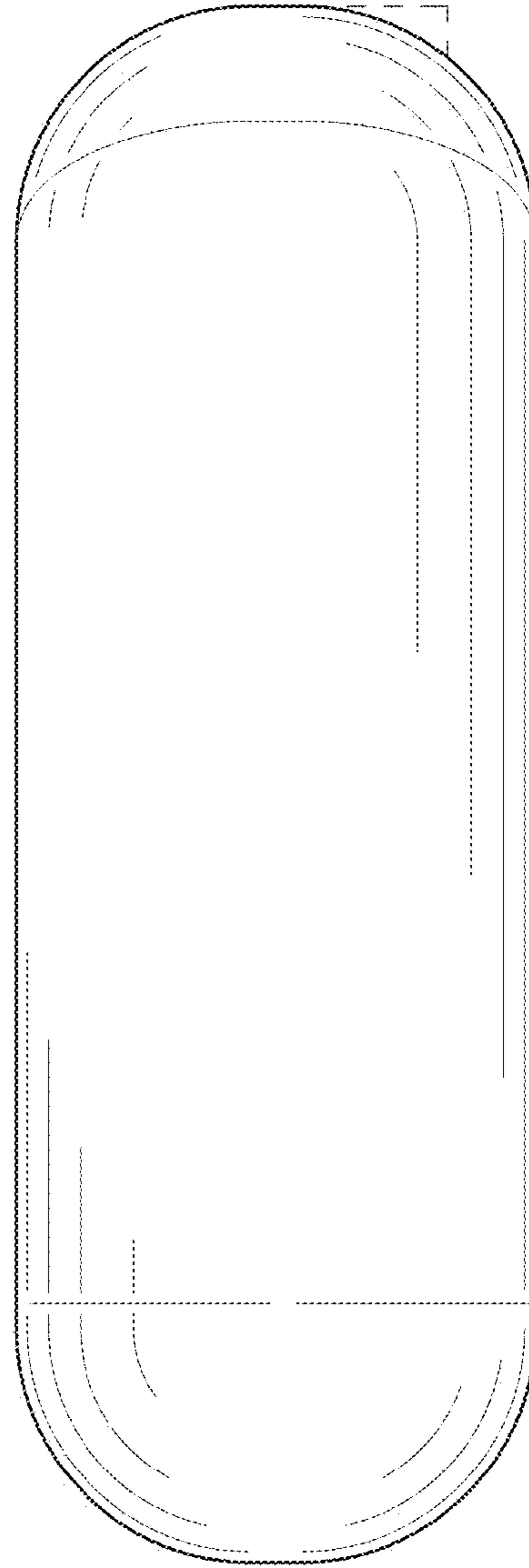


FIG. 6

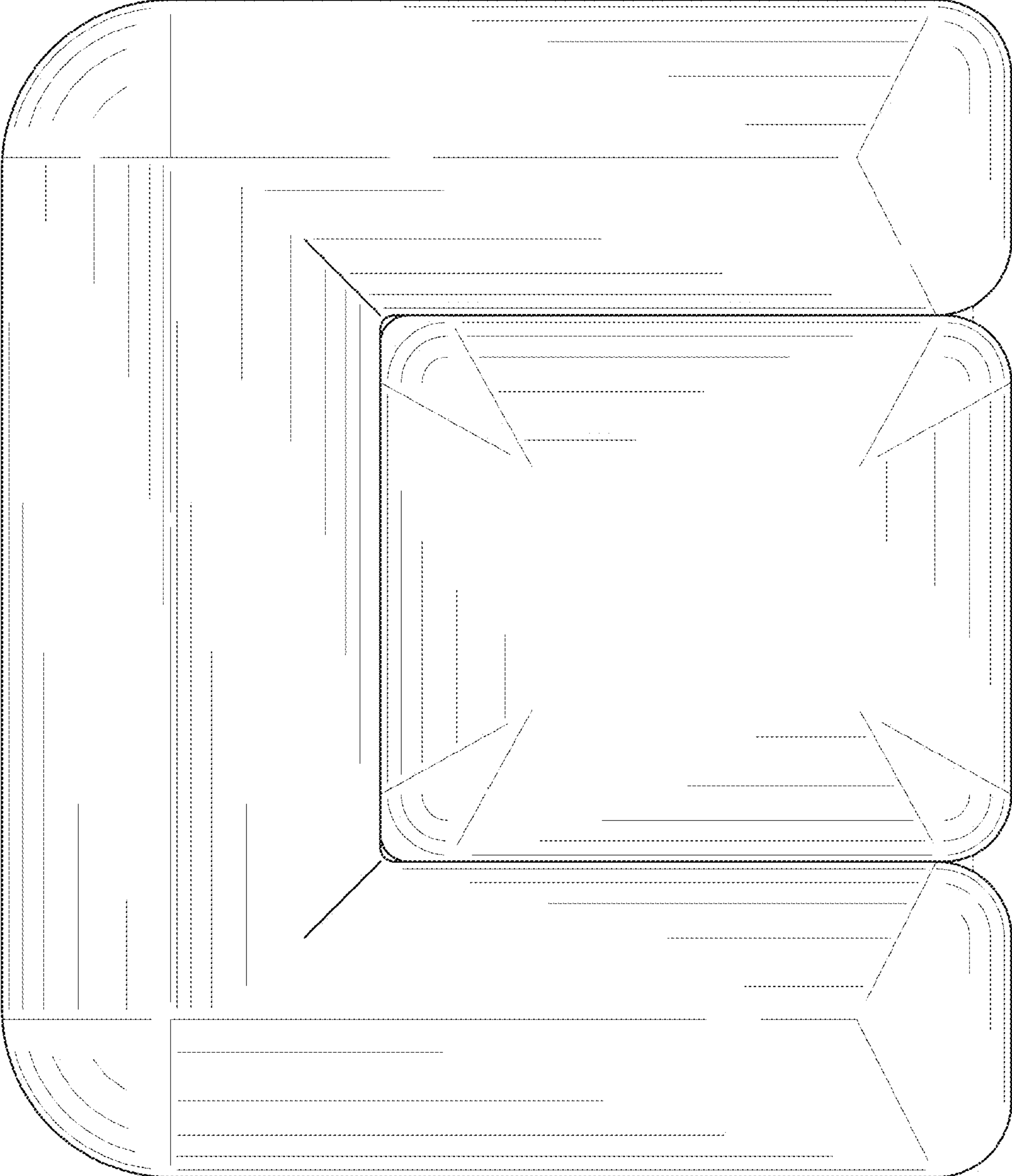


FIG. 7

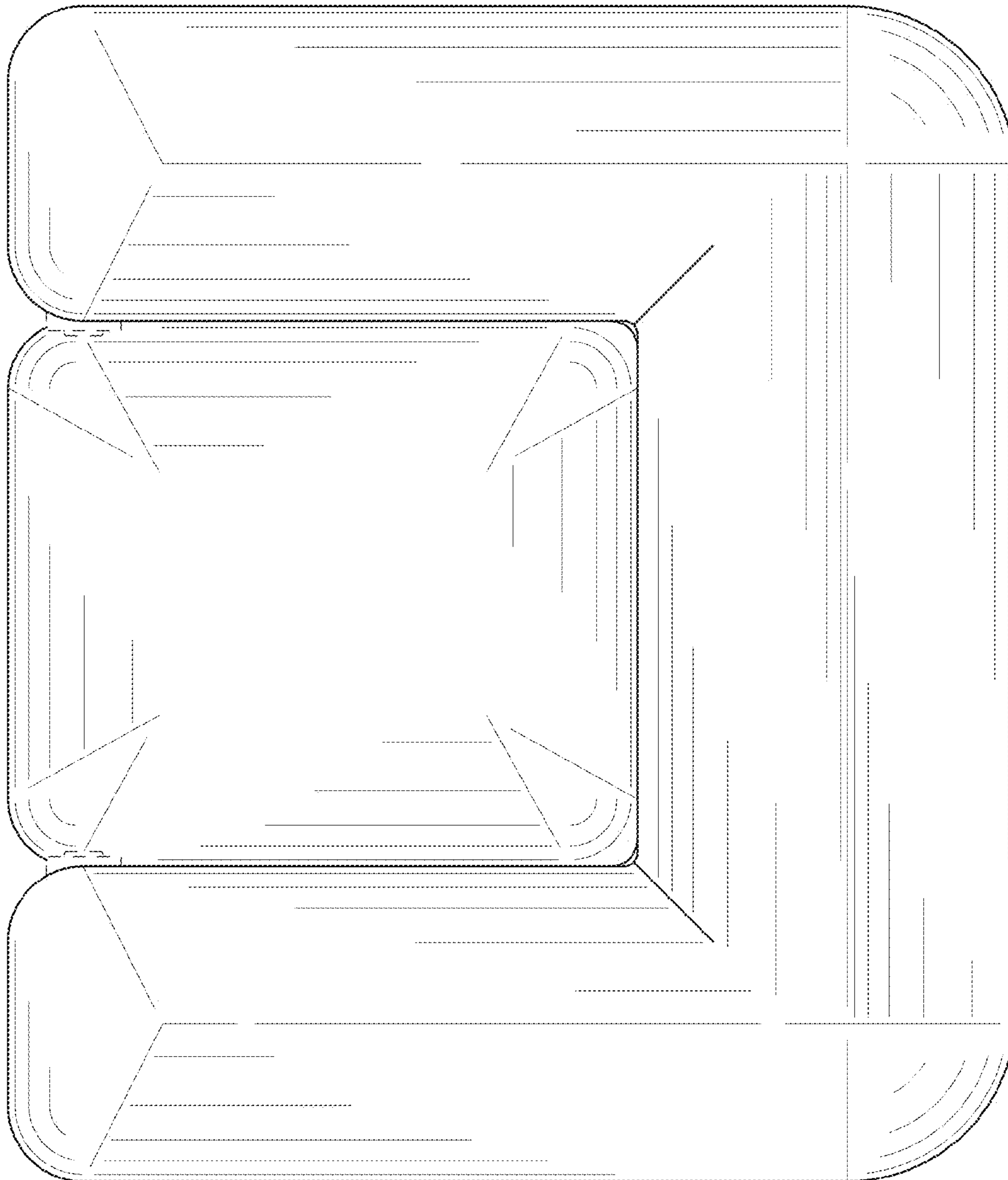


FIG. 8

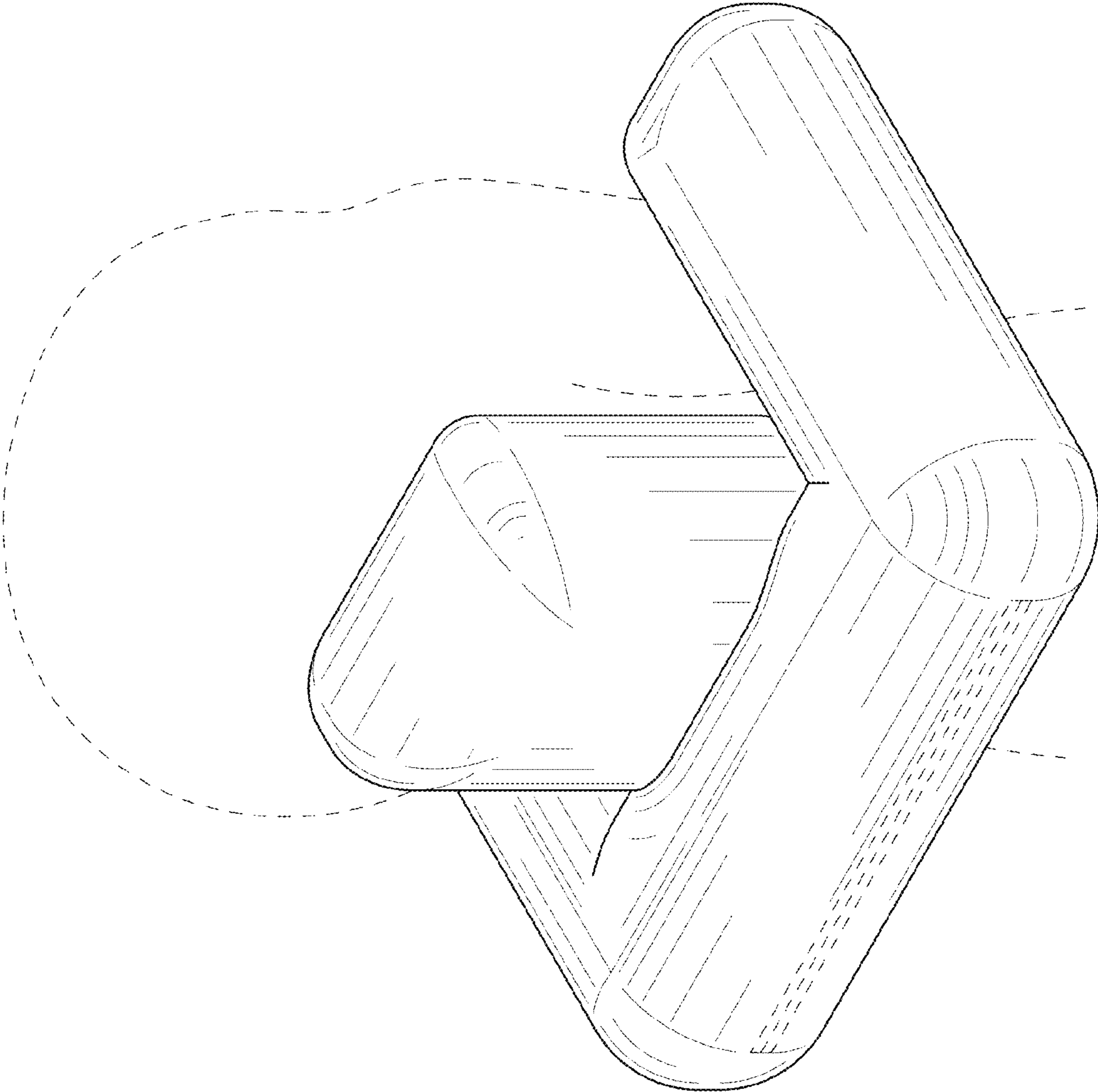


FIG. 9

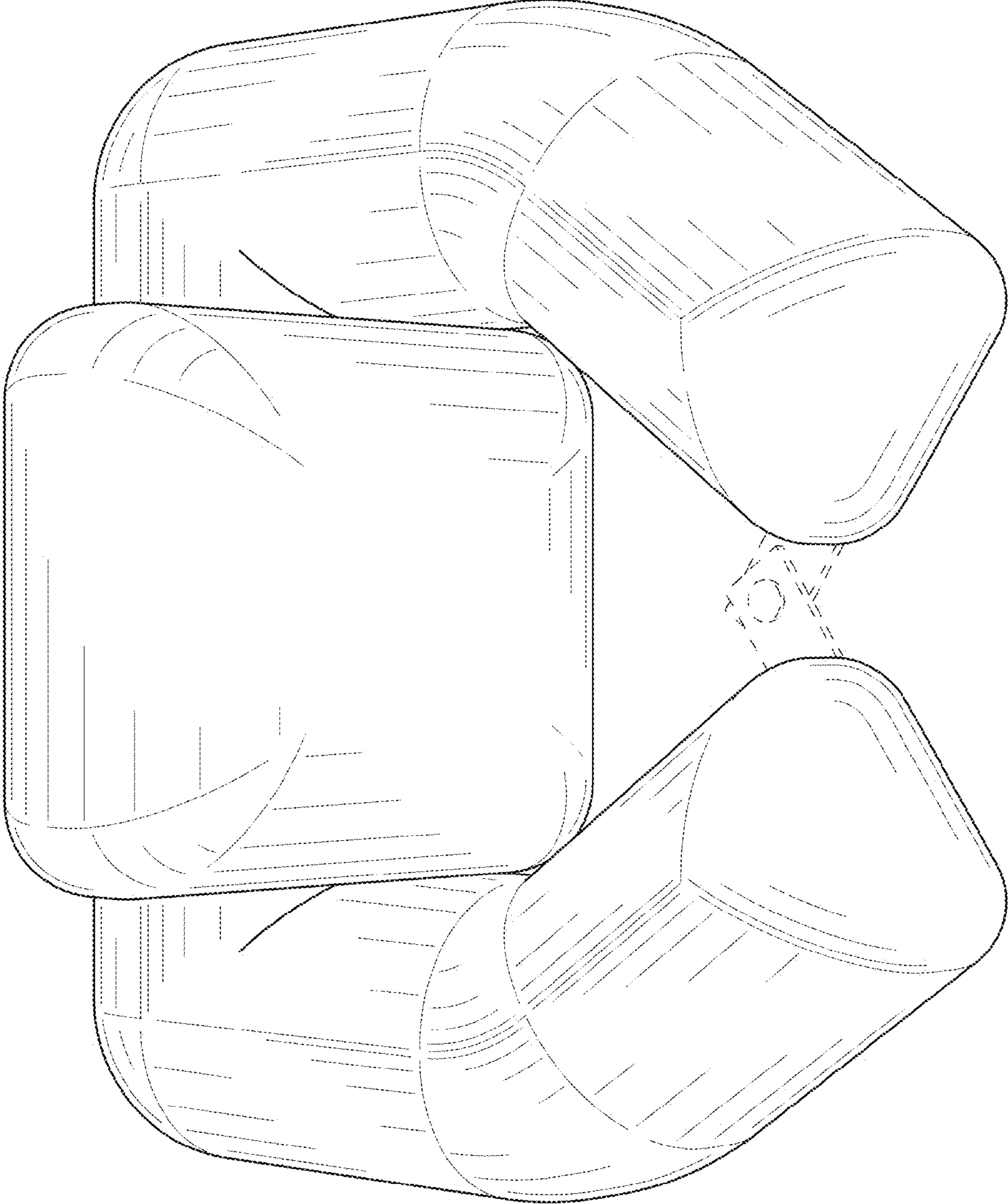


FIG. 10