



US00D875432S

(12) **United States Design Patent**
Brown

(10) **Patent No.:** **US D875,432 S**

(45) **Date of Patent:** **** Feb. 18, 2020**

(54) **PILLOW**

(71) Applicant: **Hit Notion, LLC**, Detroit, MI (US)

(72) Inventor: **Vita-Anne Brown**, Detroit, MI (US)

(73) Assignee: **Hit Notion, LLC**, Detroit, MI (US)

(**) Term: **15 Years**

(21) Appl. No.: **29/622,761**

(22) Filed: **Oct. 19, 2017**

(51) **LOC (12) Cl.** **06-09**

(52) **U.S. Cl.**

USPC **D6/601**

(58) **Field of Classification Search**

USPC D6/601, 382, 383

CPC A47C 7/383; A47C 16/005; A47C 20/00;

A47C 20/02; A47C 20/027; A47C 20/04;

A47G 2009/1018; A47G 9/10; A47G

9/1081; A47G 9/0253; A47G 9/1045;

A47G 9/1072; A61G 7/072; A61G

13/121; A61G 7/07; A61G 13/1225

See application file for complete search history.

(56) **References Cited**

U.S. PATENT DOCUMENTS

1,015,812 A * 1/1912 Madsen A47C 20/027
5/633

2,489,693 A 6/1948 Williams

2,508,177 A * 5/1950 Levine A47C 20/027
297/440.17

3,137,012 A * 6/1964 Halterman A47C 20/027
5/633

3,273,174 A * 9/1966 Cassini A47C 20/027
5/633

3,635,528 A * 1/1972 Strom A47C 4/02
297/452.41

3,840,916 A * 10/1974 Jennings A47C 4/54
5/655

4,213,213 A 7/1980 Burnett

D305,711 S * 1/1990 Wood D21/625
4,905,332 A * 3/1990 Wang A47C 1/146
297/380

5,423,098 A 6/1995 Swezey

D373,275 S * 9/1996 Bell D6/601

D376,503 S 12/1996 Petersson

5,895,365 A * 4/1999 Tomlinson A47C 20/027
297/149

D427,833 S 7/2000 Robinson

6,357,061 B1 * 3/2002 Gonzalez A47K 3/12
4/580

(Continued)

OTHER PUBLICATIONS

Bed rest pillow—for home (on-line), dated Aug. 3, 2018. Retrieved from Internet Oct. 23, 2019, URL: <http://for-home.info/bed-rest-pillow/> (2 pages) (Year: 2018).*

(Continued)

Primary Examiner — Kevin K Rudzinski

Assistant Examiner — Kimberly Barnes

(74) *Attorney, Agent, or Firm* — Brett A. Schenck

(57) **CLAIM**

The ornamental design for a pillow, as shown and described.

DESCRIPTION

FIG. 1 is a top, front, right perspective view of a pillow, showing my new design;

FIG. 2 is a front view thereof;

FIG. 3 is a right side view thereof;

FIG. 4 is a left side view thereof;

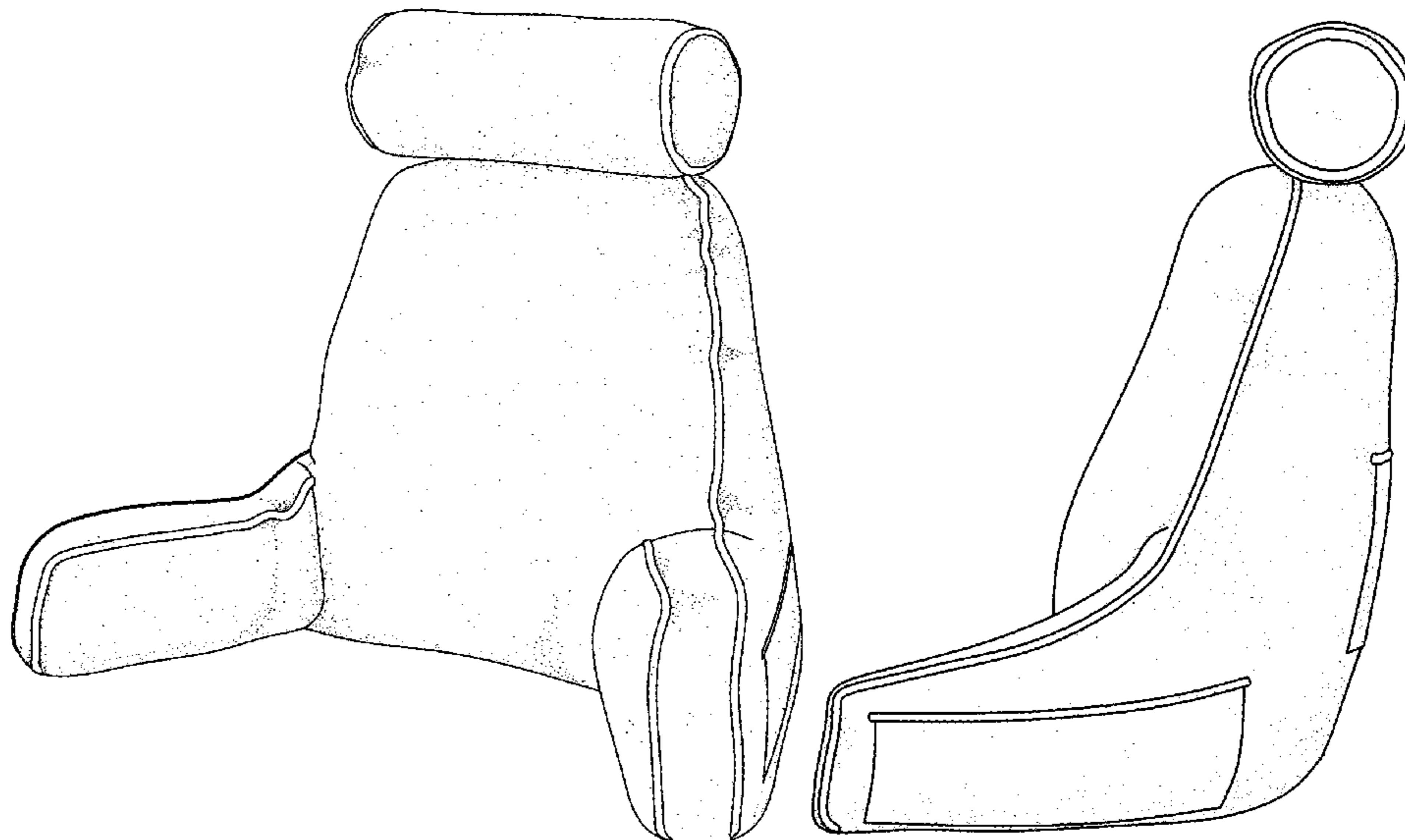
FIG. 5 is a rear view thereof;

FIG. 6 is a top view thereof;

FIG. 7 is a bottom view thereof; and,

FIG. 8 is a top, front, right perspective view thereof with the head pillow portion positioned downwardly from that shown in FIG. 1.

1 Claim, 7 Drawing Sheets



(56)

References Cited

U.S. PATENT DOCUMENTS

6,434,769	B1	8/2002	Koenig	
6,814,709	B2 *	11/2004	Schwartz A47C 7/725 5/633
7,284,290	B1	10/2007	Swezey	
7,313,836	B1 *	1/2008	Swezey A47C 20/027 297/230.1
7,328,470	B2 *	2/2008	Harris, Jr. A47C 20/027 297/230.1
7,346,948	B1 *	3/2008	Swezey A47C 5/005 297/440.12
7,412,738	B2 *	8/2008	Chaffee A47C 20/027 5/655.3
7,451,508	B2 *	11/2008	Matthews Brown ..	A47D 13/08 5/490
8,181,599	B1 *	5/2012	Jeffers A01K 1/0353 119/28.5
8,261,386	B2 *	9/2012	Kardos A47C 7/425 297/452.32
2010/0242178	A1 *	9/2010	Goetting A47C 20/027 5/633
2017/0164754	A1	6/2017	Alletto, Jr.	
2019/0191900	A1 *	6/2019	Brown A47G 9/1072

OTHER PUBLICATIONS

Bed rest pillow—logisticscentre.online (on-line), dated Dec. 20, 2018. Retrieved from Internet Oct. 23, 2019, URL: <http://logisticscentre.online/bed-rest-pillow/> (6 pages) (Year: 2018).*

Hit Notion all products (on-line), dated Feb. 21, 2019. Retrieved from Internet Oct. 24, 2019, URL: <https://web.archive.org/web/20190221234217/https://www.hitnotion.com/collections/all-products> (1 page) (Year: 2019).*

MittaGonG Backrest Reading Pillow (on-line), dated Jun. 9, 2019. Retrieved from Internet Oct. 23, 2019, URL: <https://web.archive.org/web/201906091748447/https://usa-blueisland.com/products/backrest-reading-pillow-husband-pillow-with-arms-headrest-neck-roll-removable-cover> (2 pages) (Year: 2019).*

Shredded Memory Foam Reading Pillow (on-line), dated Jun. 25, 2019. Retrieved from Internet Oct. 23, 2019, URL: <https://web.archive.org/web/20190625215933/http://www.sophiahomedec.com/reading-pillow.html> (3 pages) (Year: 2019).*

Cheer Collection Foam-Filled TV and Reading Pillow with Detachable Cervical Bolster Pillow and Removable Microplush Washable Cover (via amazon.com), available on Aug. 23, 2017, site visited on Sep. 27, 2017, Available from internet, <URL: <https://www.amazon.com/dp/B074F4TD61?psc=1>.

* cited by examiner

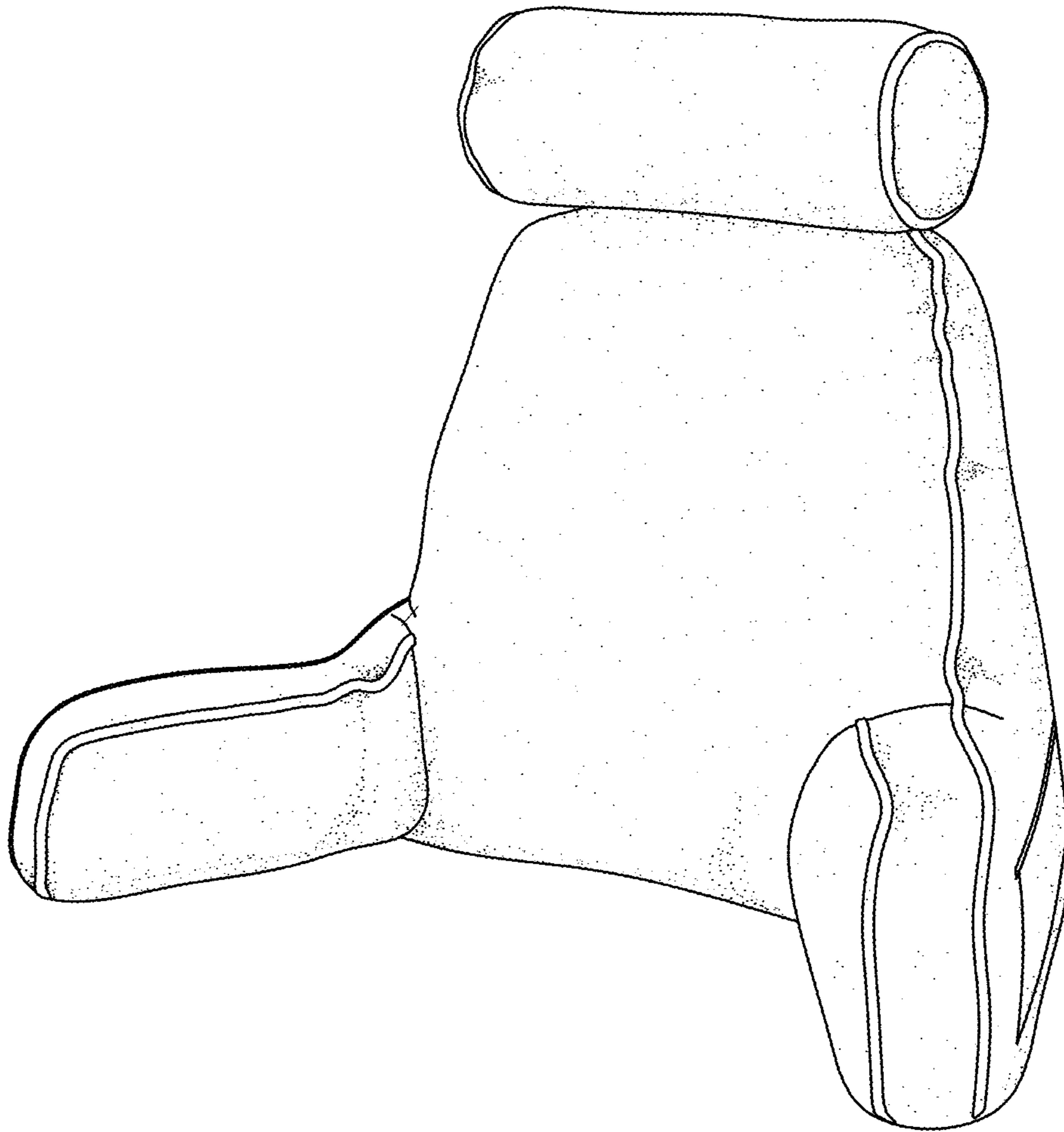


FIG. 1

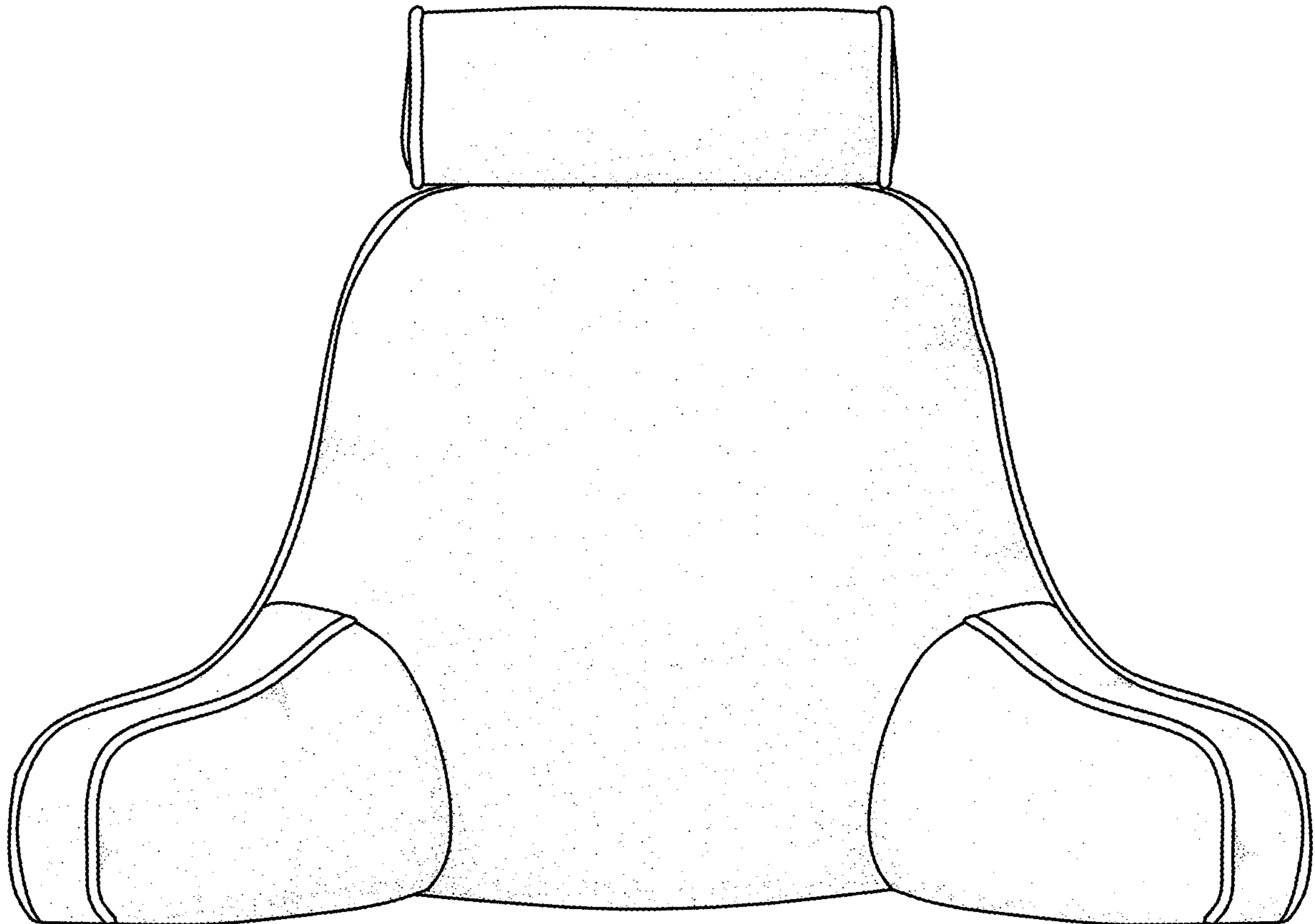


FIG. 2

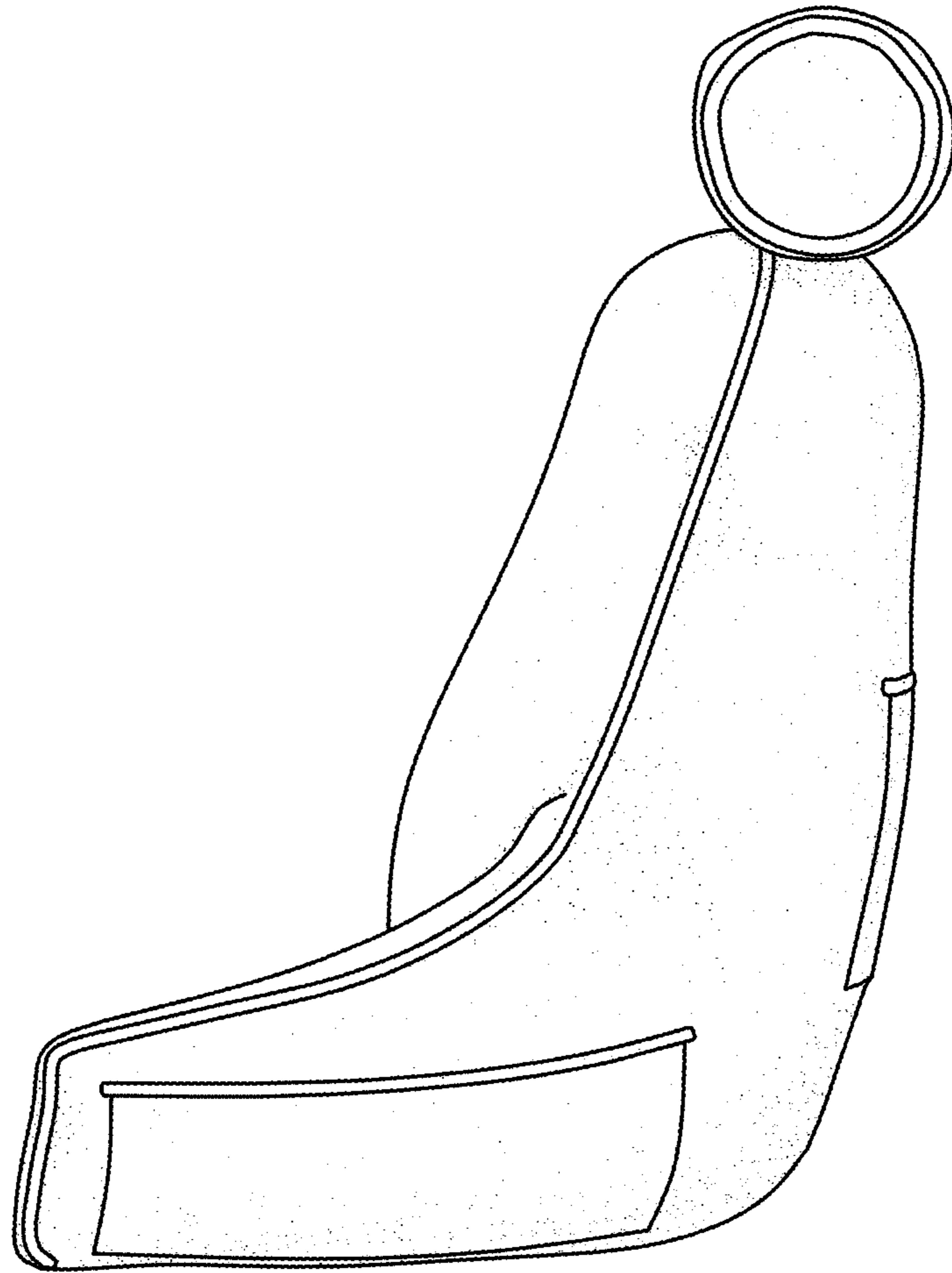


FIG. 3

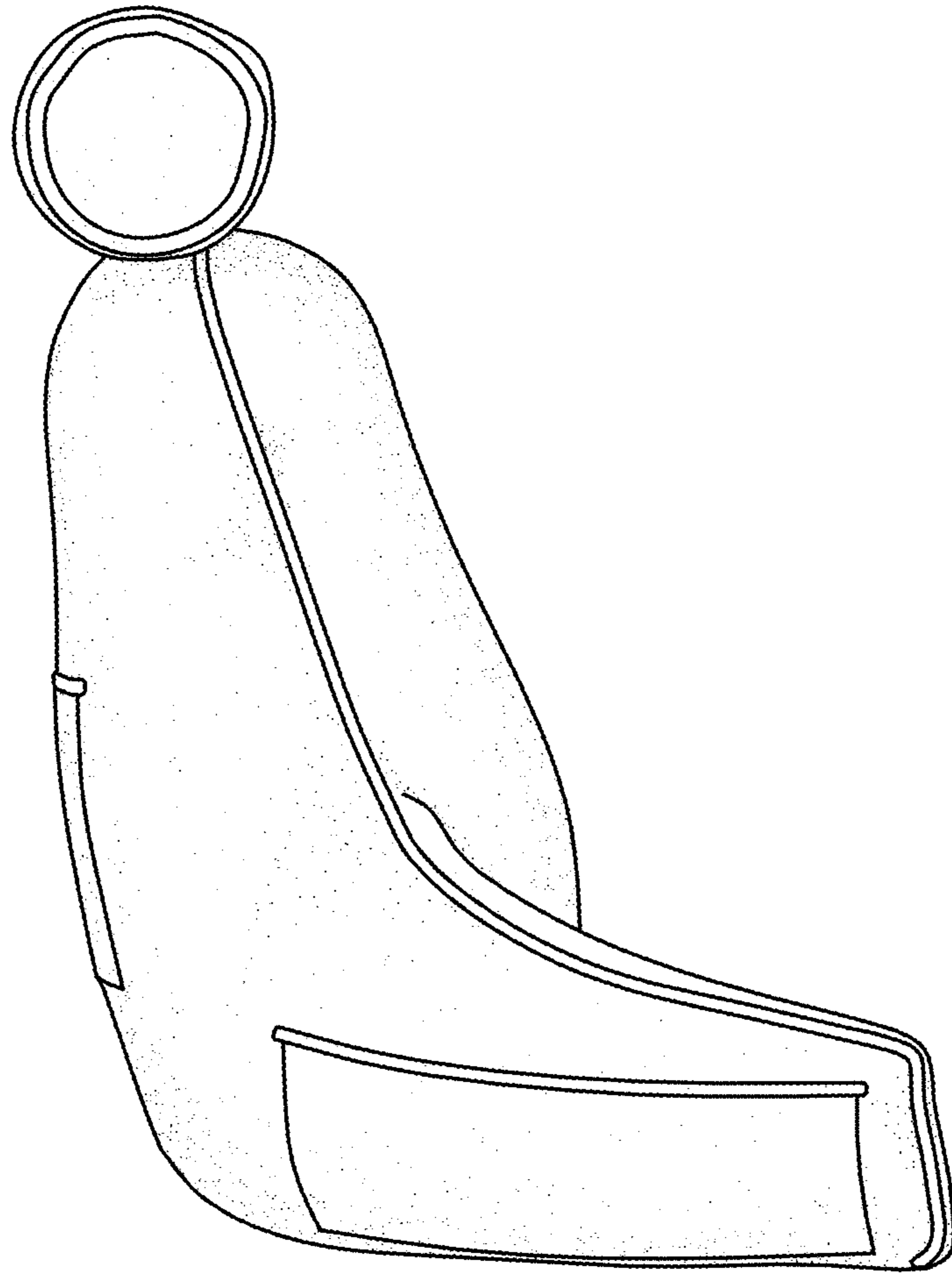


FIG. 4

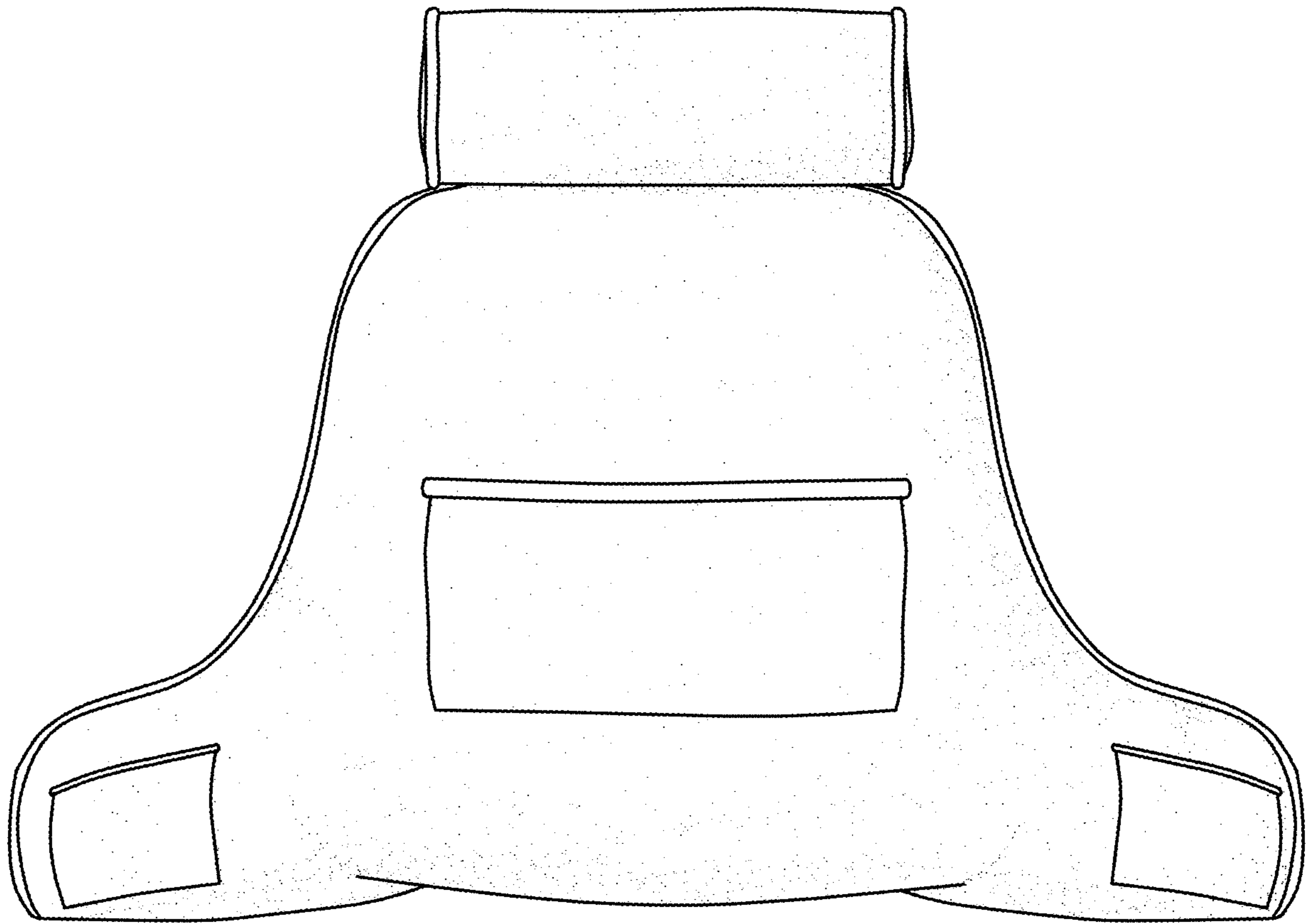


FIG. 5

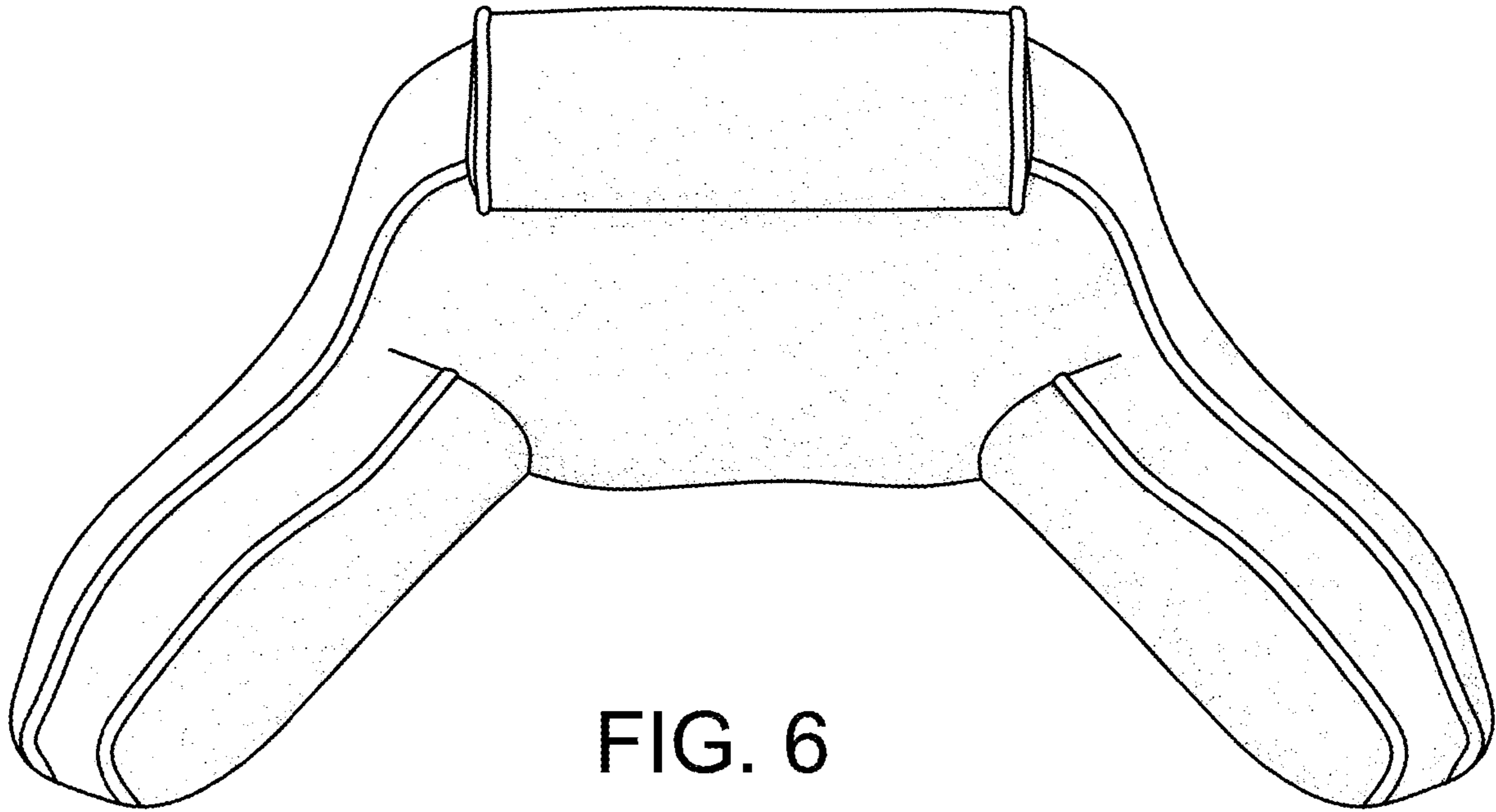


FIG. 6

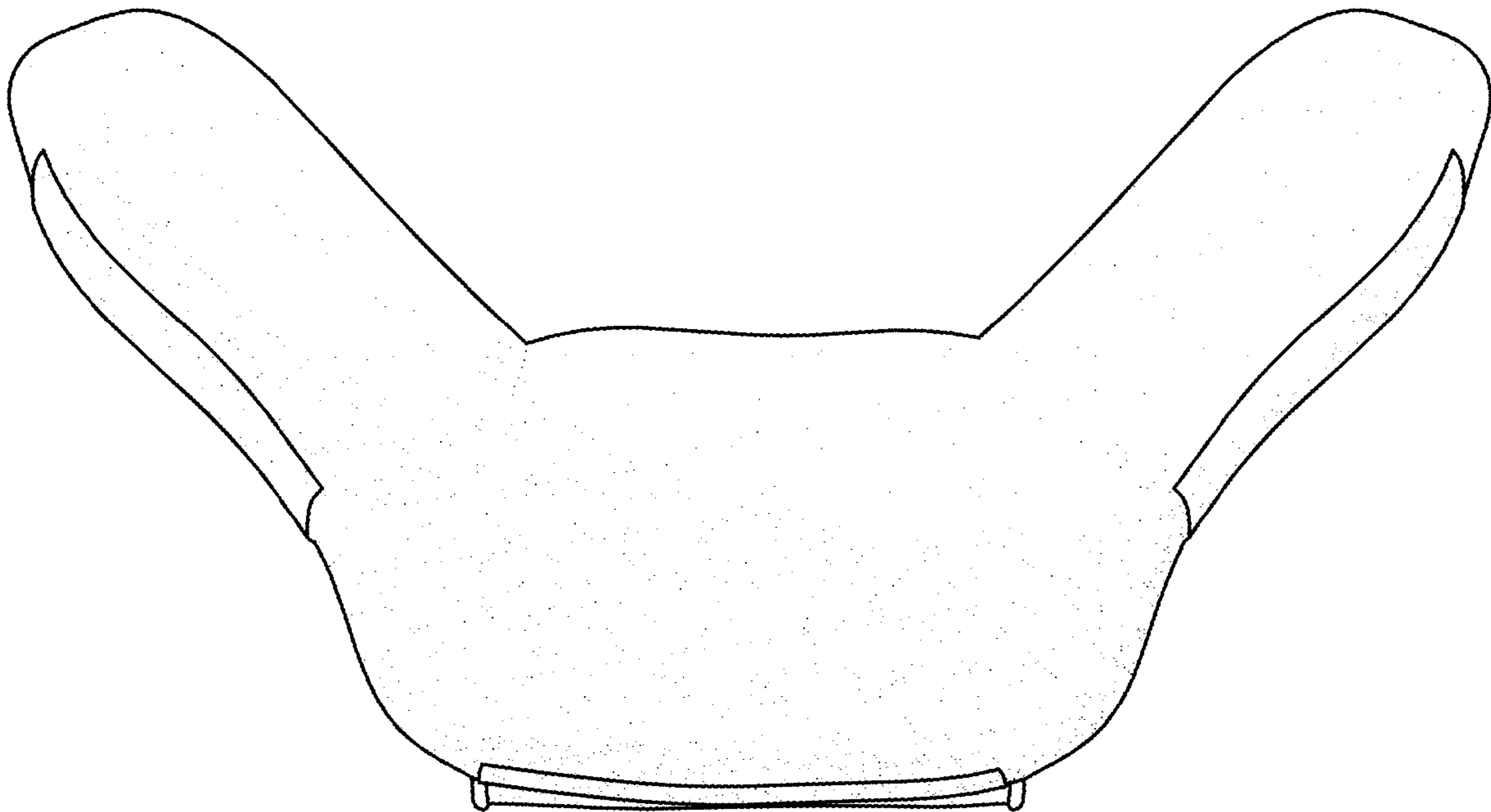


FIG. 7

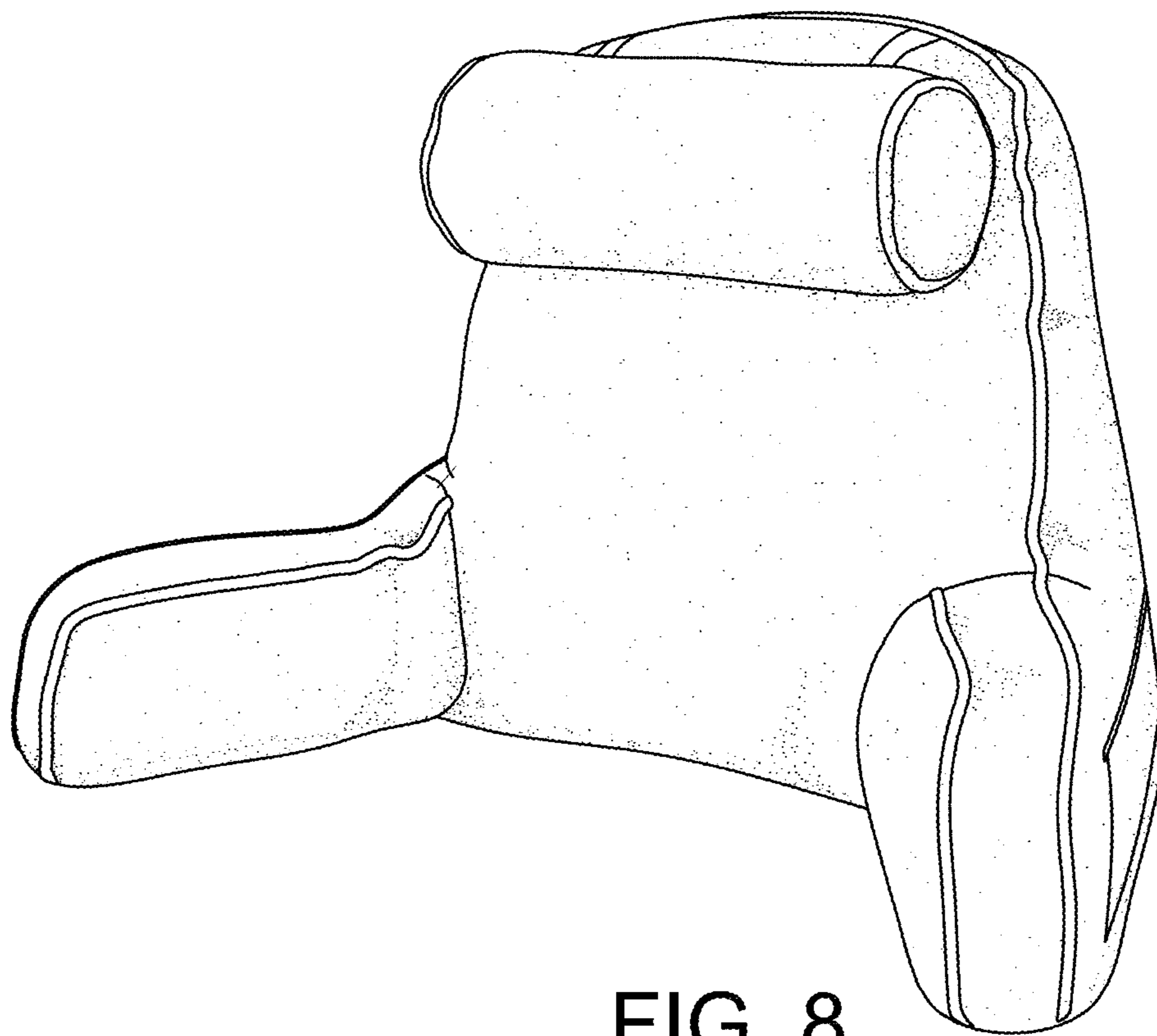


FIG. 8