



US00D875426S

(12) **United States Design Patent** (10) **Patent No.:** **US D875,426 S**
Lai (45) **Date of Patent:** **** Feb. 18, 2020**

(54) **WALL MOUNTED THREE HOOK MUG RACK HOLDER**

(71) Applicant: **MyGift Enterprise, LLC**, Woodinville, WA (US)

(72) Inventor: **Sin Lai**, Woodinville, WA (US)

(**) Term: **15 Years**

(21) Appl. No.: **29/659,956**

(22) Filed: **Aug. 14, 2018**

(51) **LOC (12) Cl.** **06-04**

(52) **U.S. Cl.**
USPC **D6/566**

(58) **Field of Classification Search**
USPC D6/566, 320, 524, 525, 535, 536-537, D6/540, 567, 574; D7/701-708, D7/600.1-600.4, 637; D3/306; 211/13.1, 211/30-33, 71.01, 70.6, 70.7, 74, 77-78, 211/171, 181.1, 20; 248/116, 121, 175, 248/176.1, 465.1, 511, 512, 519
CPC .. B23P 17/04; A47K 1/09; A47K 1/08; A47K 3/281; F16B 47/00; A47B 73/00; A47B 73/002; A47B 2210/05; A47B 55/00; A47B 55/02; A47F 5/0018; A47F 5/01

See application file for complete search history.

(56) **References Cited**

U.S. PATENT DOCUMENTS

D529,347 S	*	10/2006	Goodman	D7/704
D560,449 S	*	1/2008	Goodman	D7/707
D778,635 S	*	2/2017	Pan	D6/535
D837,002 S	*	1/2019	Nichols	D7/620

* cited by examiner

Primary Examiner — Wan Laymon

Assistant Examiner — Mark Booker

(74) *Attorney, Agent, or Firm* — Dean A Craine; Marisa Whitaker

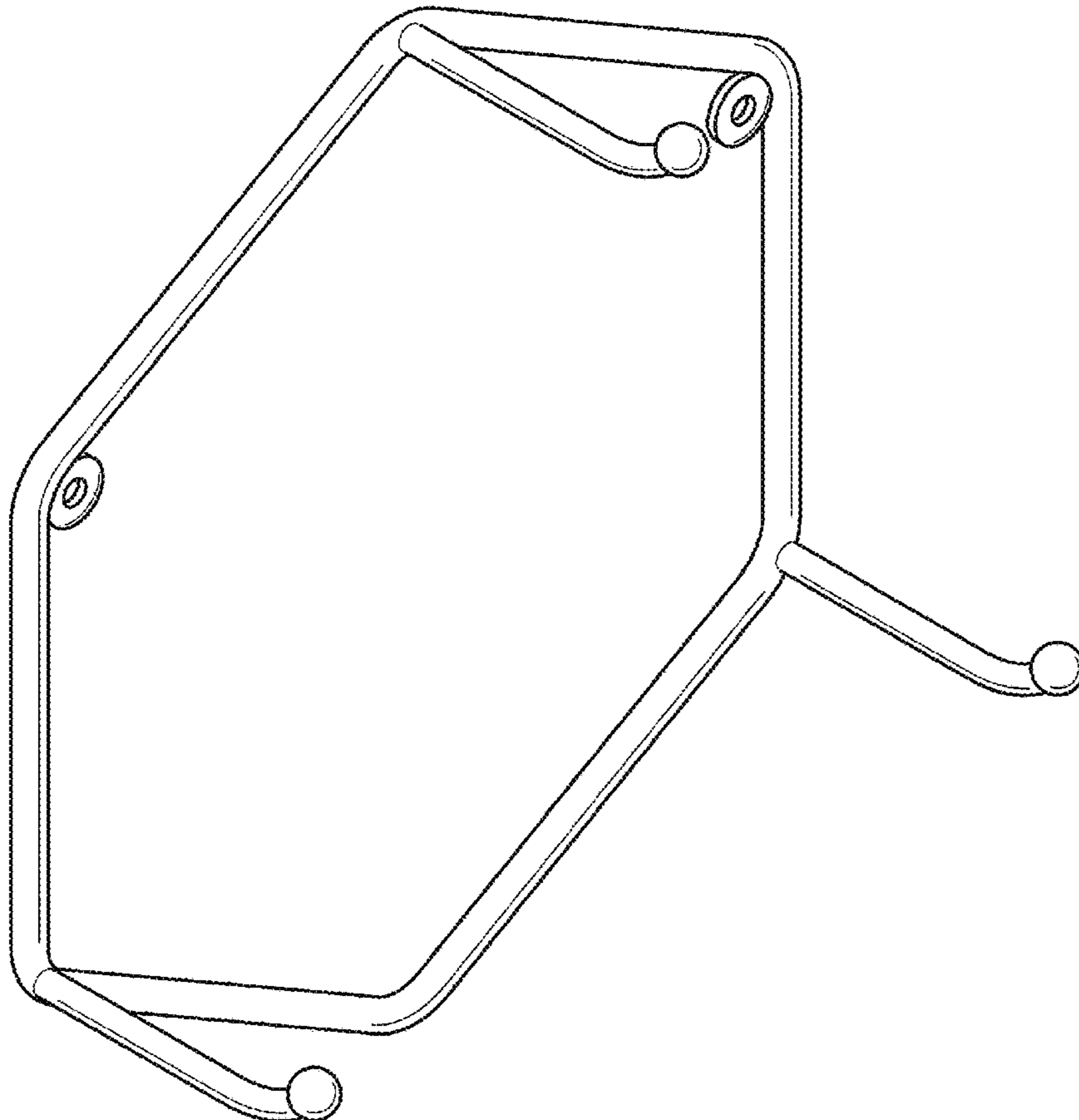
(57) **CLAIM**

The ornamental design for a wall mounted three hook mug rack holder, as shown and described.

DESCRIPTION

FIG. 1 is a front perspective view of a wall mounted three hook mug rack holder showing my design.
FIG. 2 is a front elevational view of the invention.
FIG. 3 is a rear elevational view of the invention.
FIG. 4 is a top plan view of the invention.
FIG. 5 is a bottom plan view of the invention.
FIG. 6 is a left side elevational view of the invention; and,
FIG. 7 is a right side elevational view of the invention.

1 Claim, 7 Drawing Sheets



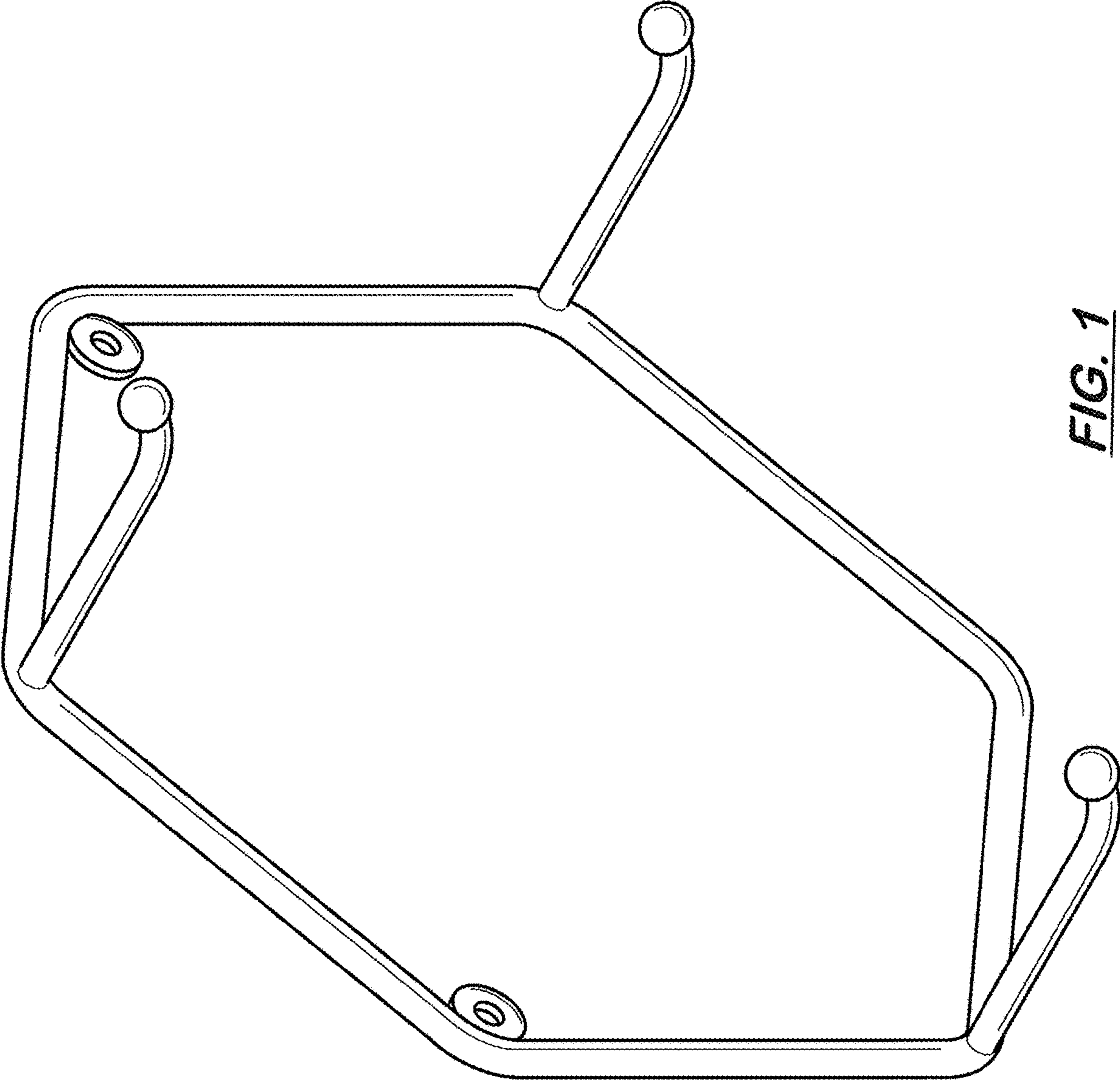


FIG. 1

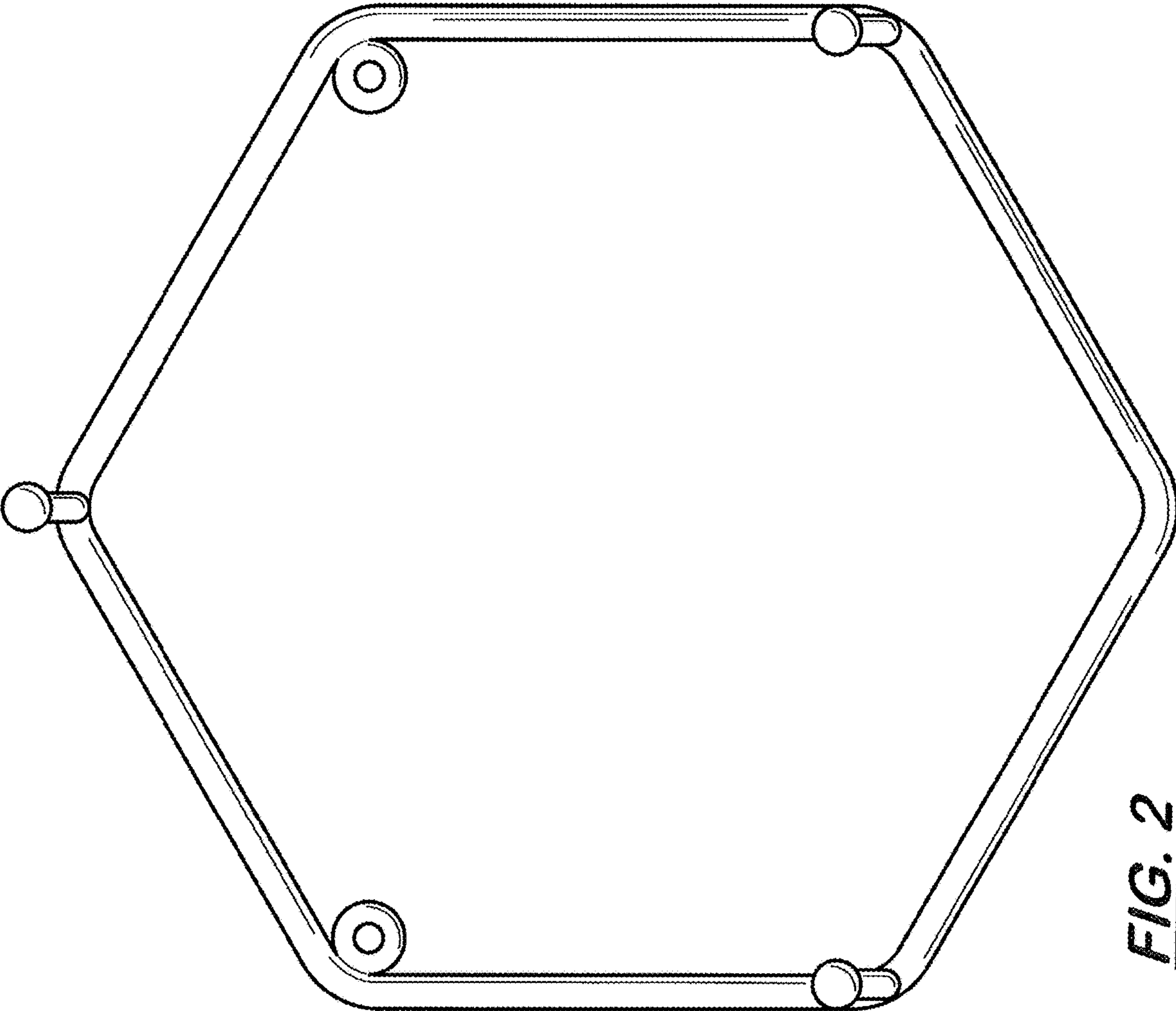


FIG. 2

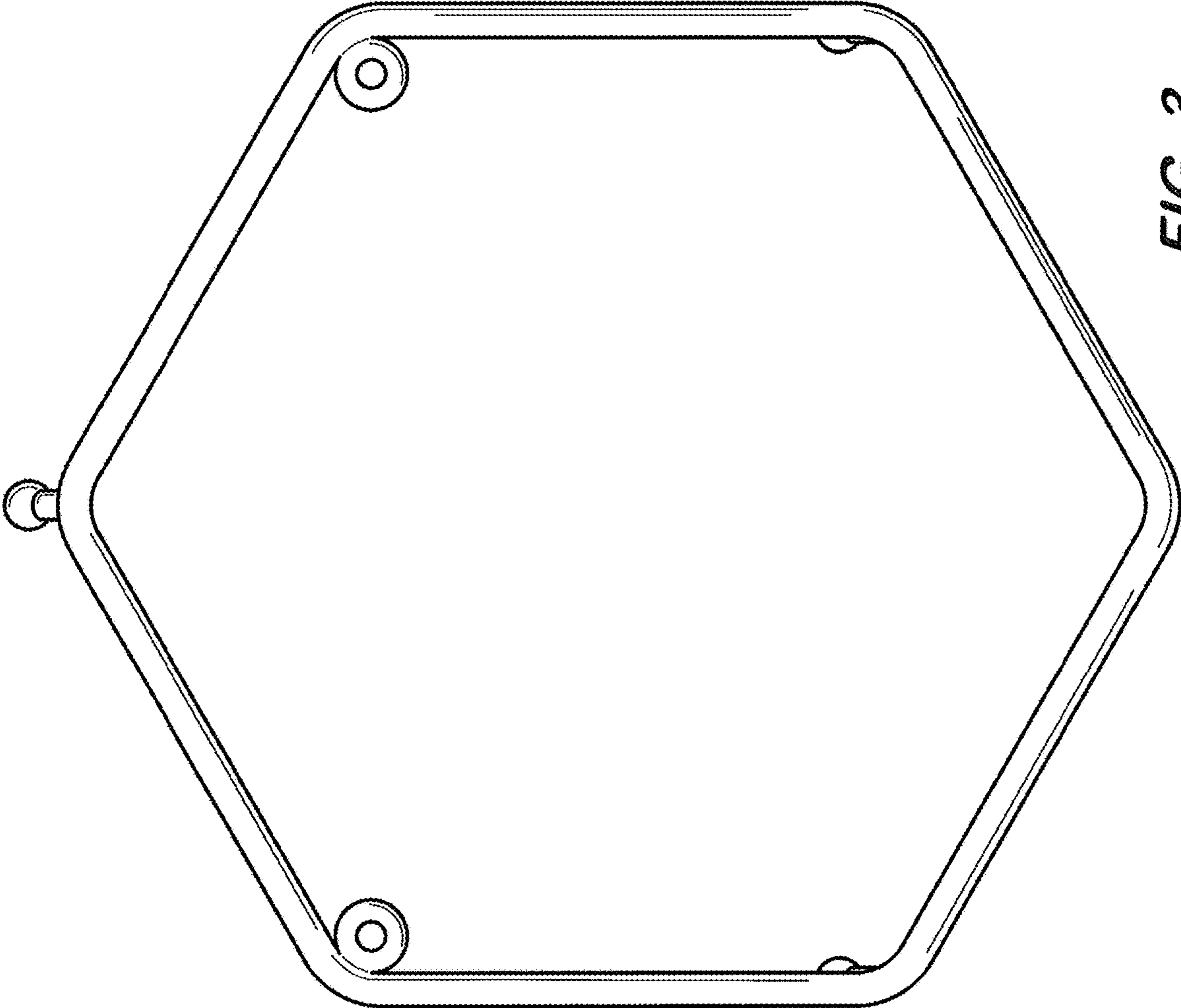


FIG. 3

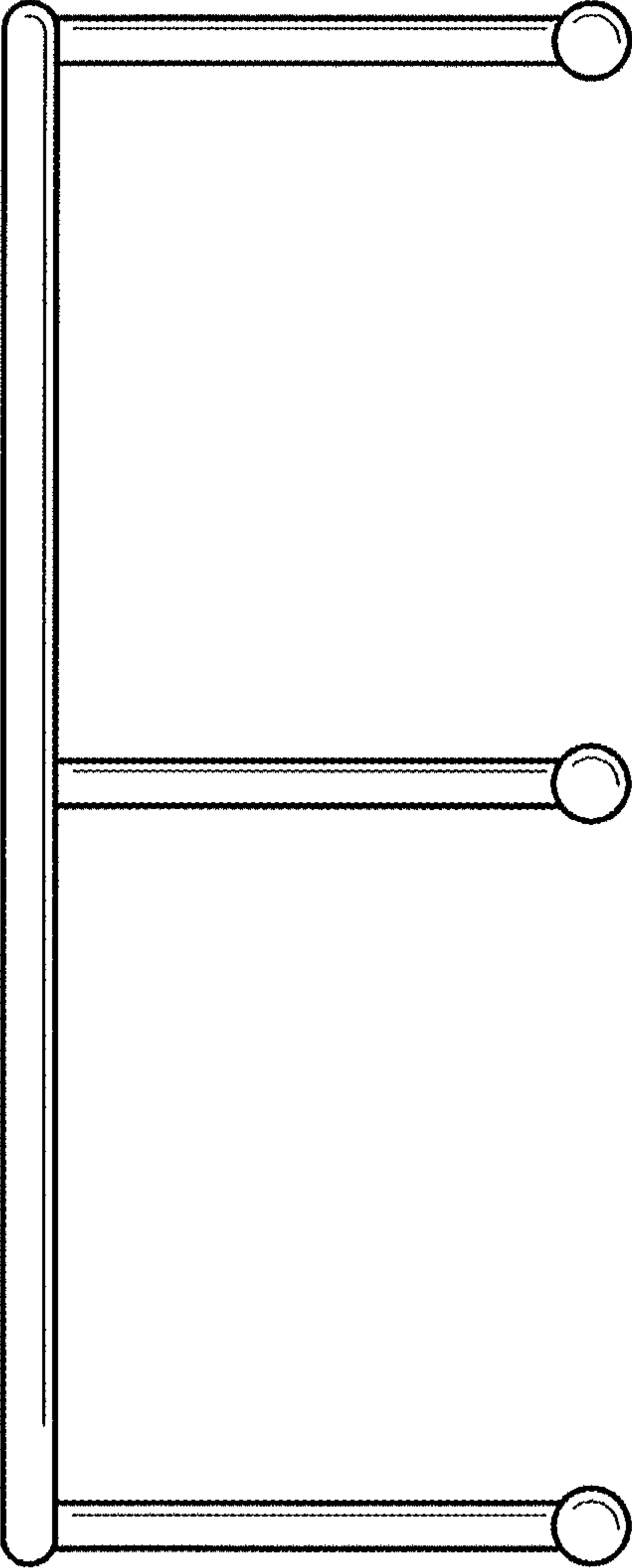


FIG. 4

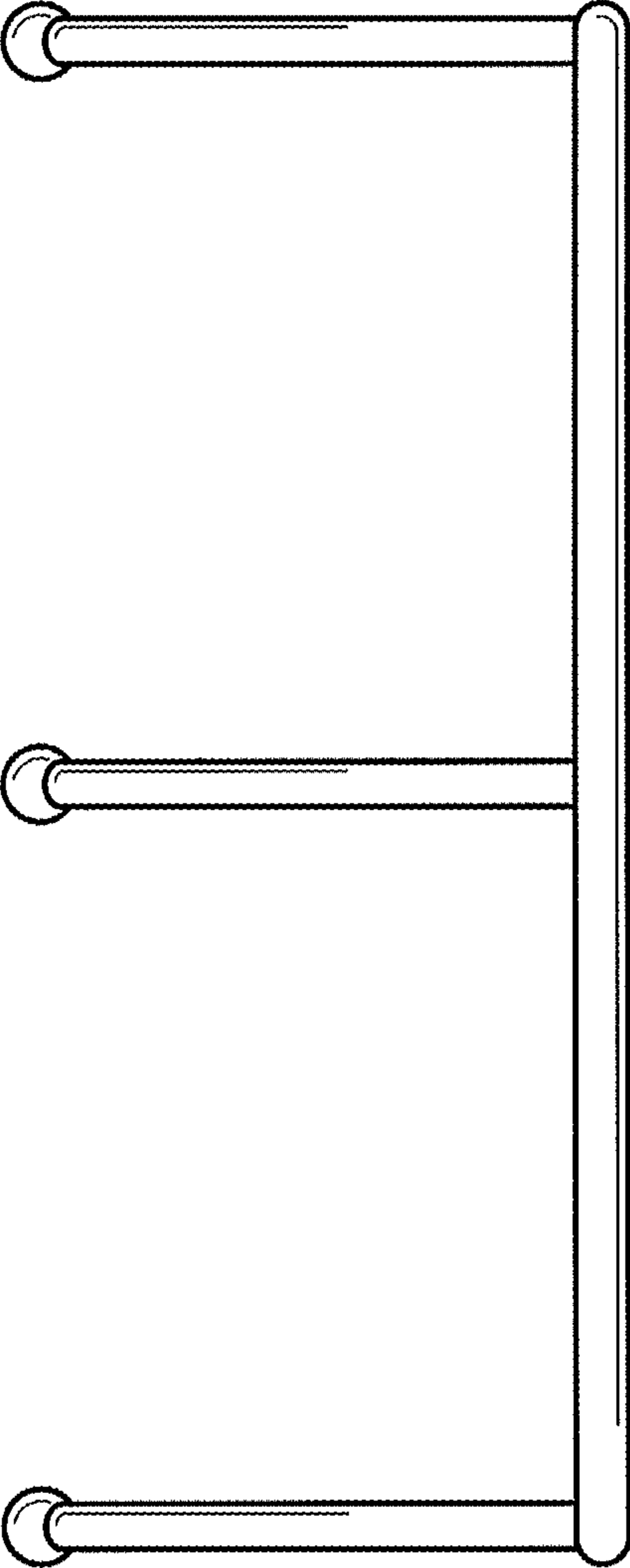


FIG. 5

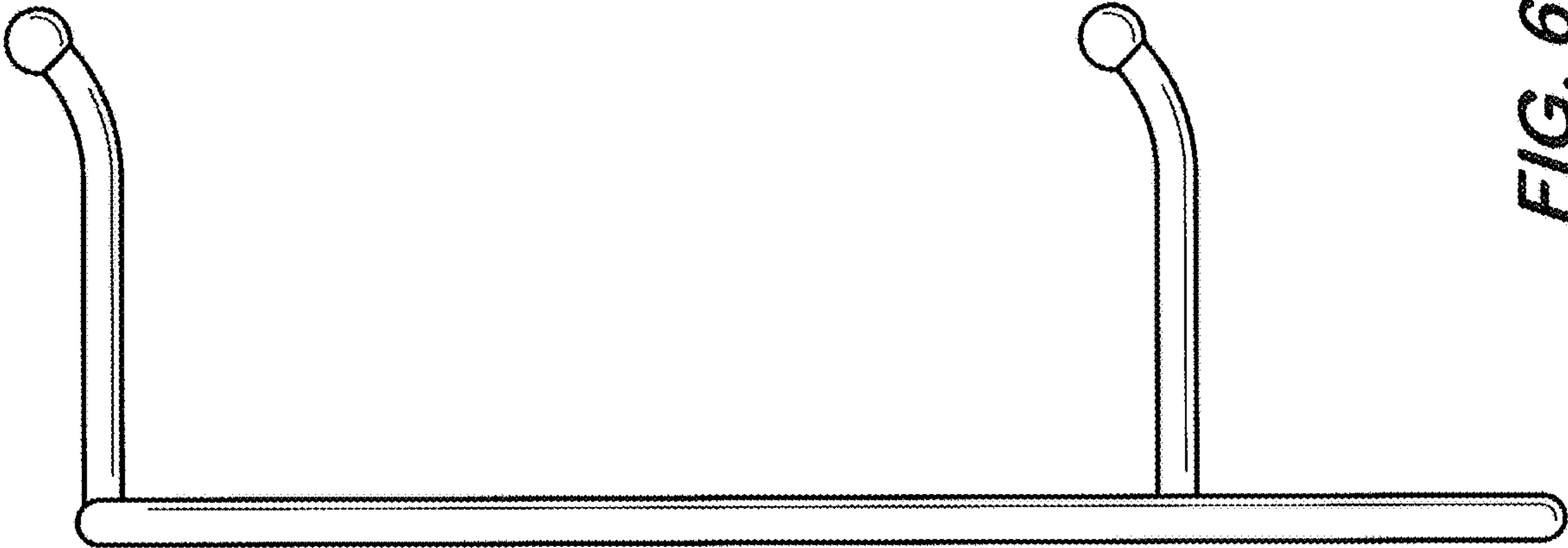


FIG. 6

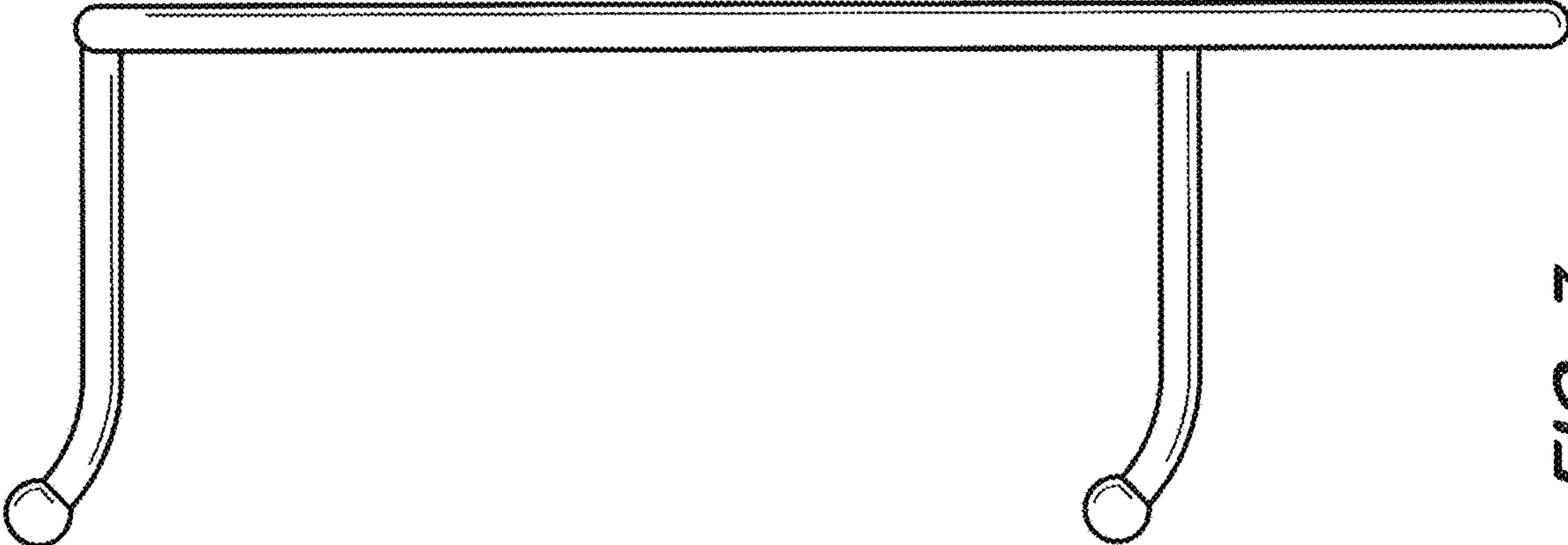


FIG. 7