



US00D875420S

(12) **United States Design Patent**  
**Furuland**

(10) **Patent No.:** **US D875,420 S**

(45) **Date of Patent:** **\*\* Feb. 18, 2020**

(54) **INFANT POD**

D298,768 S 11/1988 Dwosh et al.  
4,788,726 A 12/1988 Rafalko  
4,802,244 A \* 2/1989 McGrath-Saleh ..... A41B 13/06  
2/69

(71) Applicant: **Enfant Terrible Design AB**, Norrtälje  
(SE)

(Continued)

(72) Inventor: **Lisa Furuland**, Norrtälje (SE)

FOREIGN PATENT DOCUMENTS

(73) Assignee: **ENFANT TERRIBLE DESIGN AB**,  
Norrtälje (SE)

AU 201212209 5/2012  
CN 302886068 S 7/2014

(Continued)

(\*\*) Term: **15 Years**

OTHER PUBLICATIONS

(21) Appl. No.: **29/647,171**

(22) Filed: **May 10, 2018**

“Sleepyhead Grand Pod” amazon.co.uk, review date of Aug. 16,  
2017, site visited Sep. 11, 2019, available online at <https://www.amazon.co.uk/Sleepyhead-Grand-9-36m-Pristine-White/dp/B00K2S5JRY> (Year: 2017).\*

(51) **LOC (12) Cl.** ..... **06-02**

(52) **U.S. Cl.**  
USPC ..... **D6/390; D6/596; D21/803**

(Continued)

(58) **Field of Classification Search**  
USPC ..... D6/390, 391, 718.26; D30/118;  
D21/803, 809  
CPC ... A47D 7/00; A47D 7/02; A47D 9/00; A47D  
5/00; A47D 13/08; A47D 15/008; A47K  
3/127; A47C 15/006; A01K 1/0353;  
B63B 35/73; B63B 35/76; B63B 35/78  
See application file for complete search history.

*Primary Examiner* — Cathron C Brooks  
(74) *Attorney, Agent, or Firm* — Ward and Smith, P.A.;  
Ryan K. Simmons

(57) **CLAIM**

The ornamental design for an infant pod, as shown and  
described.

(56) **References Cited**

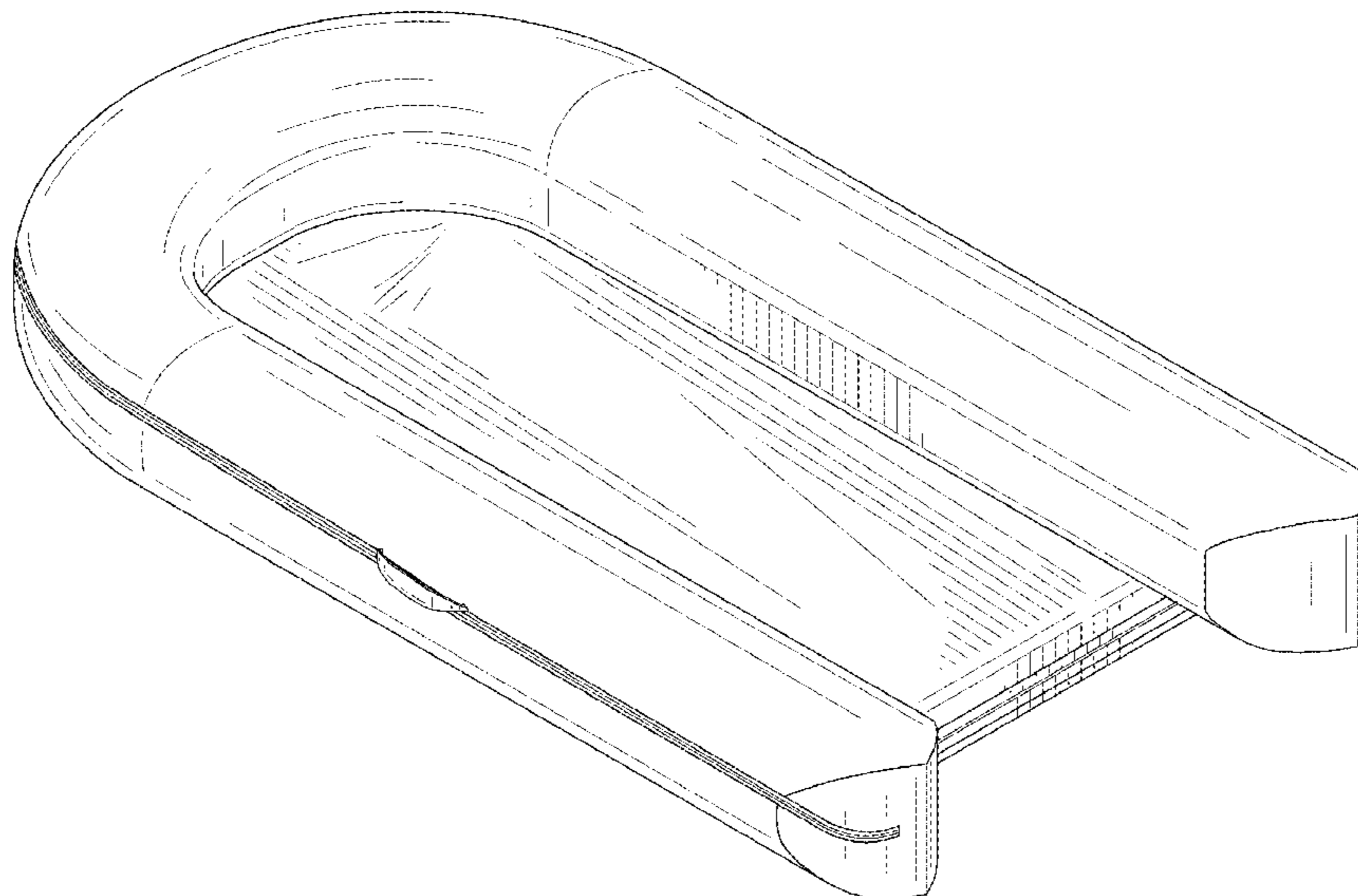
**DESCRIPTION**

U.S. PATENT DOCUMENTS

2,626,407 A 1/1953 Kurry  
2,633,898 A 4/1953 Arthur  
2,644,173 A \* 7/1953 James ..... A47C 23/047  
5/425  
2,961,802 A 11/1960 Mongan et al.  
3,583,765 A 6/1971 Wallis  
3,761,975 A 10/1973 Personett  
4,043,349 A 8/1977 Gays  
D263,192 S 3/1982 LeVan  
4,383,713 A 5/1983 Roston  
4,607,402 A 8/1986 Pollard  
D288,757 S 3/1987 Hoeckel  
D290,108 S \* 6/1987 Wolfe ..... D12/316

FIG. 1 is a perspective view of an infant pod showing a new  
design;  
FIG. 2 is a front elevation view thereof;  
FIG. 3 is a rear elevation view thereof;  
FIG. 4 is a right side elevation view thereof;  
FIG. 5 is a left side elevation view thereof;  
FIG. 6 is a top plan view thereof; and,  
FIG. 7 is a bottom plan view thereof.  
The dashed lines are included for the purpose of illustrating  
portions of the infant pod that form no part of the claimed  
design.

**1 Claim, 5 Drawing Sheets**



(56)

References Cited

U.S. PATENT DOCUMENTS

4,810,030 A 3/1989 Lewis  
 4,972,864 A 11/1990 Almond  
 D317,232 S 6/1991 Vogtherr et al.  
 5,024,262 A 6/1991 Huang  
 5,035,013 A 7/1991 Bloom  
 5,056,172 A 10/1991 Kaiser et al.  
 5,088,139 A 2/1992 Bloom  
 D325,836 S 5/1992 Morton  
 5,137,333 A 8/1992 Chee  
 5,163,461 A 11/1992 Ivanovich et al.  
 5,165,130 A 11/1992 Wendling  
 D333,389 S 2/1993 Saito et al.  
 5,242,338 A 9/1993 Hartdegen et al.  
 D341,407 S 11/1993 Mcleese  
 5,299,883 A 4/1994 Arth  
 5,337,772 A 8/1994 Habchi  
 D353,494 S \* 12/1994 Beger ..... 5/655  
 5,392,785 A \* 2/1995 Donahue ..... A47D 13/08  
 128/873  
 D357,589 S \* 4/1995 Langhammer ..... 5/945  
 5,448,790 A 9/1995 Saro et al.  
 5,519,906 A 5/1996 Fanto-Chan  
 5,520,561 A \* 5/1996 Langenohl ..... B63B 35/78  
 441/129  
 5,551,109 A 9/1996 Tingley et al.  
 5,586,351 A 12/1996 Ive  
 D380,274 S 6/1997 Stamets  
 5,642,750 A 7/1997 Brown  
 D393,772 S 4/1998 Vingino  
 5,813,066 A 9/1998 Gebhard et al.  
 D400,949 S 11/1998 Gale  
 D404,216 S 1/1999 Gerhart  
 D404,597 S 1/1999 Chavez et al.  
 5,862,548 A 1/1999 Gerhart  
 D412,354 S 7/1999 Takos  
 5,928,054 A 7/1999 Mast  
 5,930,854 A 8/1999 O'Neill  
 D414,003 S \* 9/1999 Hering ..... D30/118  
 D415,919 S 11/1999 Porter  
 D416,159 S \* 11/1999 Porter ..... 5/655  
 5,992,045 A 11/1999 Kellogg et al.  
 6,014,837 A 1/2000 Morgan  
 D421,085 S \* 2/2000 Fife ..... D21/801  
 6,047,420 A 4/2000 Priester et al.  
 D426,091 S 6/2000 White  
 6,073,283 A 6/2000 Zheng  
 D429,923 S 8/2000 Meglino et al.  
 6,109,282 A 8/2000 Yoon  
 6,170,100 B1 1/2001 Le Gelle et al.  
 D450,516 S 11/2001 Darling  
 6,321,403 B1 \* 11/2001 Matthews ..... A47D 5/00  
 5/637  
 6,356,439 B1 3/2002 Schmidt  
 6,357,462 B1 3/2002 Laosunthara et al.  
 6,357,510 B1 3/2002 Zheng  
 6,363,558 B1 \* 4/2002 Dunne ..... A47D 15/006  
 297/219.12  
 D465,585 S 11/2002 Venegas  
 D466,176 S \* 11/2002 Peterson ..... D21/803  
 6,505,366 B1 1/2003 Lied  
 6,536,058 B1 3/2003 Chang  
 6,571,410 B2 6/2003 Zheng  
 6,588,036 B1 7/2003 Hort  
 6,594,840 B2 7/2003 Tomas et al.  
 6,701,547 B2 3/2004 Hsia  
 6,810,545 B1 11/2004 Darling et al.  
 6,851,136 B2 2/2005 Brereton  
 6,901,940 B2 6/2005 Zheng  
 7,048,333 B2 5/2006 Martinez  
 D534,615 S 1/2007 van Aalst  
 D537,142 S \* 2/2007 Eagan ..... D21/803  
 7,225,822 B1 6/2007 Zheng  
 7,234,199 B2 6/2007 Bushey  
 D549,297 S \* 8/2007 Eagan ..... D21/803  
 7,302,724 B2 12/2007 Solomon et al.

7,404,219 B2 7/2008 Berkey  
 D588,390 S \* 3/2009 Brill-Cass ..... D6/596  
 D595,384 S \* 6/2009 Marciano ..... D21/803  
 D599,428 S \* 9/2009 Marciano ..... D21/803  
 7,588,291 B2 9/2009 Gold et al.  
 D602,266 S 10/2009 Hagstrom  
 7,676,871 B1 3/2010 Leach  
 D615,606 S \* 5/2010 Eagan ..... D21/803  
 7,766,367 B2 8/2010 Dotsey et al.  
 7,926,135 B1 4/2011 Leach  
 8,024,829 B2 9/2011 Carr et al.  
 D646,741 S 10/2011 Akaka  
 D652,712 S 1/2012 Bushey  
 D655,518 S 3/2012 Sclare  
 D666,843 S 9/2012 Furuland  
 D673,789 S 1/2013 Furuland  
 D673,790 S 1/2013 Furuland  
 D673,791 S 1/2013 Furuland  
 D677,910 S 3/2013 Shaw  
 8,419,128 B1 4/2013 Leach  
 8,458,830 B1 6/2013 Pierce et al.  
 8,555,429 B2 10/2013 Leach  
 D697,336 S \* 1/2014 Perry ..... D21/803  
 8,667,626 B2 3/2014 Zheng  
 D716,896 S 11/2014 Blackwood  
 8,882,557 B2 11/2014 Fair  
 D769,649 S \* 10/2016 Vargas ..... D6/601  
 9,464,646 B2 10/2016 Burns et al.  
 D774,879 S 12/2016 Martinson  
 9,644,390 B1 5/2017 Garvens et al.  
 D796,240 S 9/2017 Furuland  
 9,788,663 B2 10/2017 Furuland  
 9,883,751 B1 2/2018 Furuland  
 10,099,758 B2 \* 10/2018 Snowden ..... B63B 7/08  
 10,163,321 B2 \* 12/2018 Furuland ..... A61B 5/6892  
 D838,122 S \* 1/2019 Faniku ..... D6/596  
 2003/0093859 A1 5/2003 Roudebush  
 2004/0064887 A1 4/2004 Cheng  
 2005/0076444 A2 4/2005 Houghteling  
 2005/0155155 A1 7/2005 Kassai et al.  
 2005/0172408 A1 8/2005 Temple  
 2005/0172411 A1 8/2005 Snedeker  
 2005/0210591 A1 9/2005 Mead et al.  
 2006/0026766 A1 2/2006 Brewin  
 2006/0117478 A1 6/2006 Cheung  
 2007/0245494 A1 10/2007 Dockendorf  
 2007/0256242 A1 11/2007 Warnock  
 2008/0040854 A1 2/2008 Lorentz  
 2008/0182477 A1 7/2008 Catelli  
 2008/0213039 A1 9/2008 Chen et al.  
 2009/0083908 A1 4/2009 Fry  
 2009/0151080 A1 6/2009 Lord  
 2009/0205140 A1 8/2009 Reese et al.  
 2009/0222993 A1 9/2009 Villanueva et al.  
 2011/0119833 A1 5/2011 Clark  
 2011/0191956 A1 8/2011 Rabess et al.  
 2011/0277210 A1 11/2011 Hardesty  
 2012/0261962 A1 10/2012 Huntsberger et al.  
 2013/0111661 A1 \* 5/2013 Furuland ..... A47D 7/01  
 5/93.1  
 2014/0259359 A1 9/2014 Yaari et al.  
 2014/0273719 A1 9/2014 Weisman  
 2015/0330549 A1 11/2015 Drane  
 2016/0324324 A1 11/2016 Wilkerson Altonen  
 2017/0013970 A1 1/2017 Furuland  
 2017/0318865 A1 \* 11/2017 Karnati ..... A47D 13/02

FOREIGN PATENT DOCUMENTS

DE 20007258 U1 10/2000  
 DE 20203973 U1 7/2002  
 EM D01681040-0001 3/2010  
 EM D02038208-0001 5/2012  
 FR 2911776 A1 8/2008



(56)

**References Cited**

## FOREIGN PATENT DOCUMENTS

HK	1200881.1	5/2012
SE	20080586	8/2009

## OTHER PUBLICATIONS

PCT International Search Report and Written Opinion from PCT/IB2012/002888 dated Aug. 2, 2013.

Change Pad with Toy Bar, Babyhaven.com, reviewed May 6, 2013, site visited Jun. 16, 2017, available online <URL:https://www.babyhaven.com/summer-infant-change-pad-with-flower-flutter-toy-bar-girl.html>.

Mombo Play Toy Bar, Diary of a Working Mom, Mar. 14, 2014, site visited Jun. 16, 2017, available online <URL:http://www.

diaryofaworkingmom.com/2014/03/14/comfort-harmony-mombo-toy-bar-review/>.

EquiptBaby bassinet, From Downriver to Downright Country blog, Jan. 29, 2015, site visited Apr. 13, 2017, available online <URL:https://fromdownrivertodownrightcountry.wordpress.com/page/3/>.

Comfort & Harmony Mambo Play Toy Bar, Fan-Key, earliest review date Oct. 27, 2015, site visited Oct. 10, 2017, available online at [http://webcortex2.fan-key.com/...l\)%20Accessories&item\\_name=Comfort+%26amp%3B+Harmony+Mombo+play+Toy+Bar%2C+Pink&r=](http://webcortex2.fan-key.com/...l)%20Accessories&item_name=Comfort+%26amp%3B+Harmony+Mombo+play+Toy+Bar%2C+Pink&r=) (Year: 2015).

Oomfort and Harmony Mambo Play Toy Bar, reviewed by a Spark of Creativity, Mar. 6, 2014, site visited Oct. 10, 2017, available online at <http://asparkofcreativity.com/comfort-harmony-mambo-play-pillow-toy-bar-little-one-review/> (Year: 2014).

amazon.co.uk, "Sleepyhead Grand Pod", review date of Aug. 16, 2017, 2017, 7 pages.

\* cited by examiner

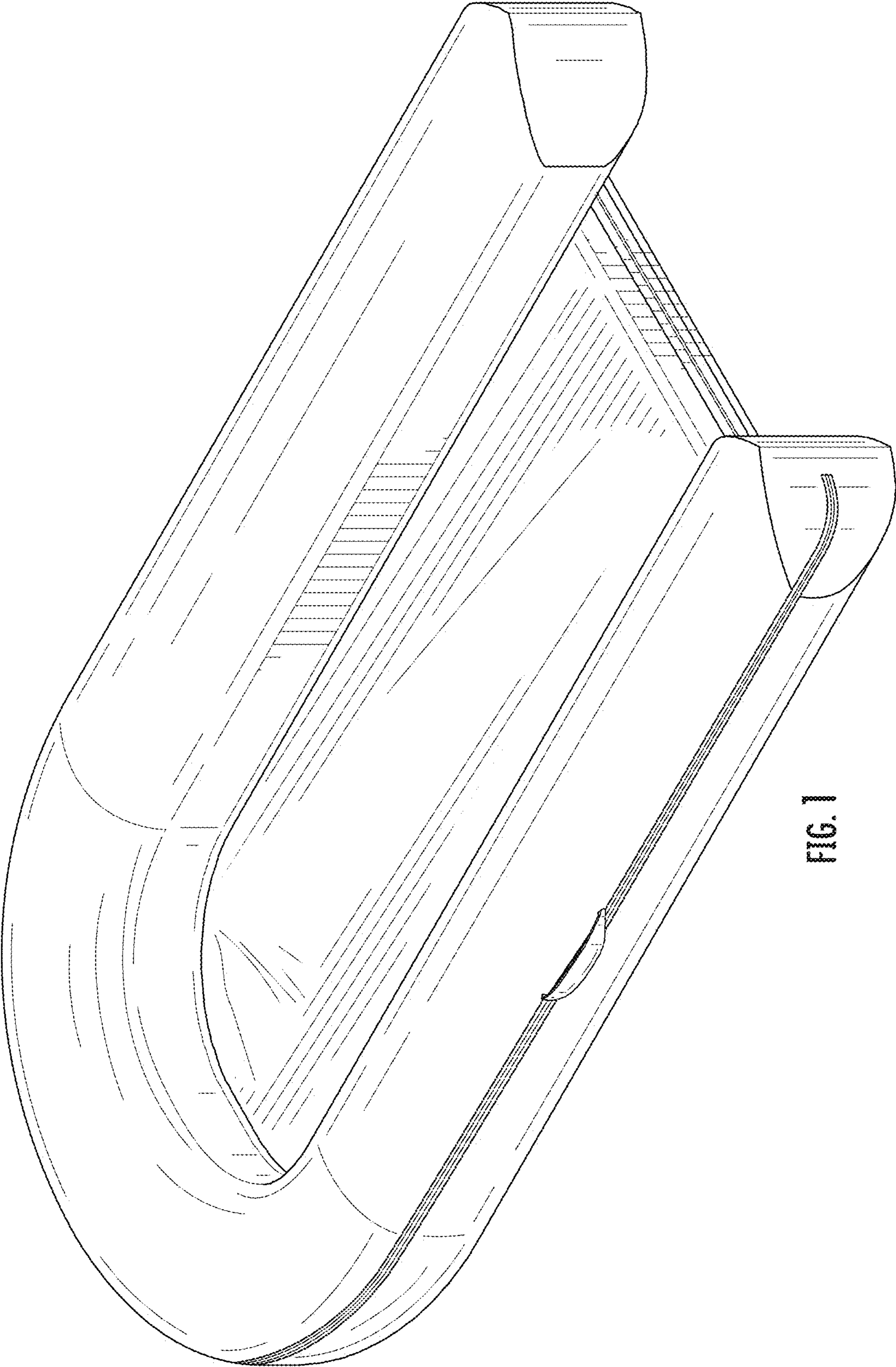


FIG. 1

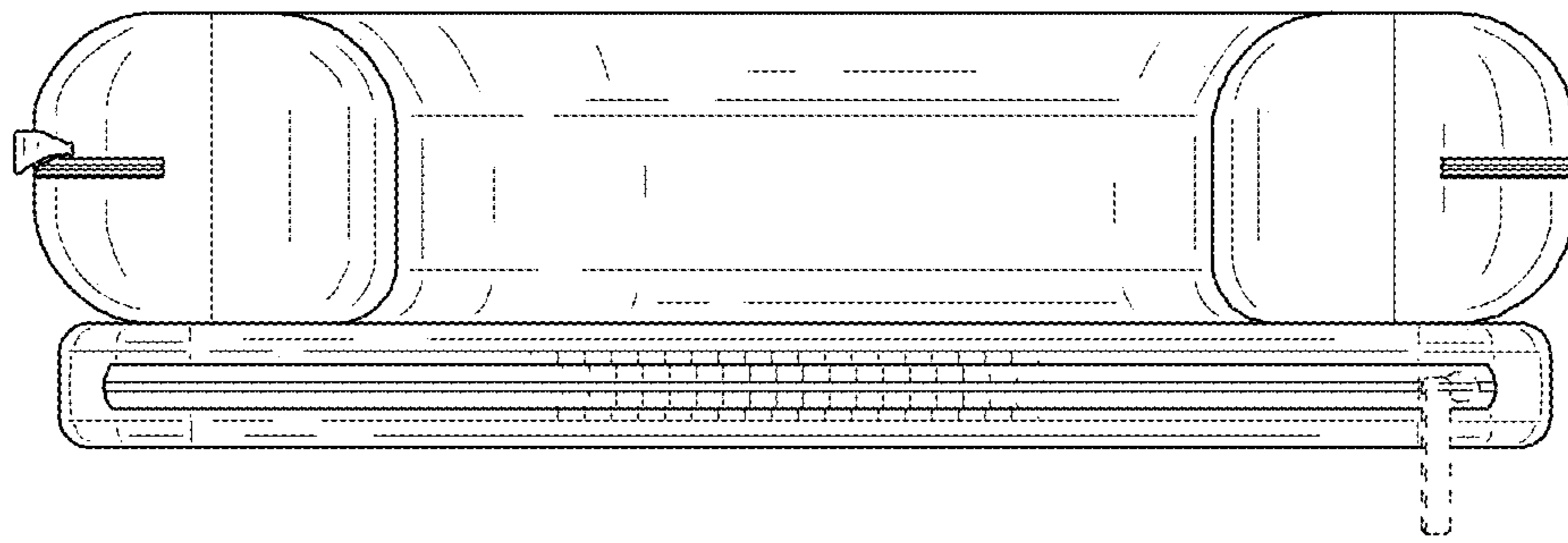


FIG. 2

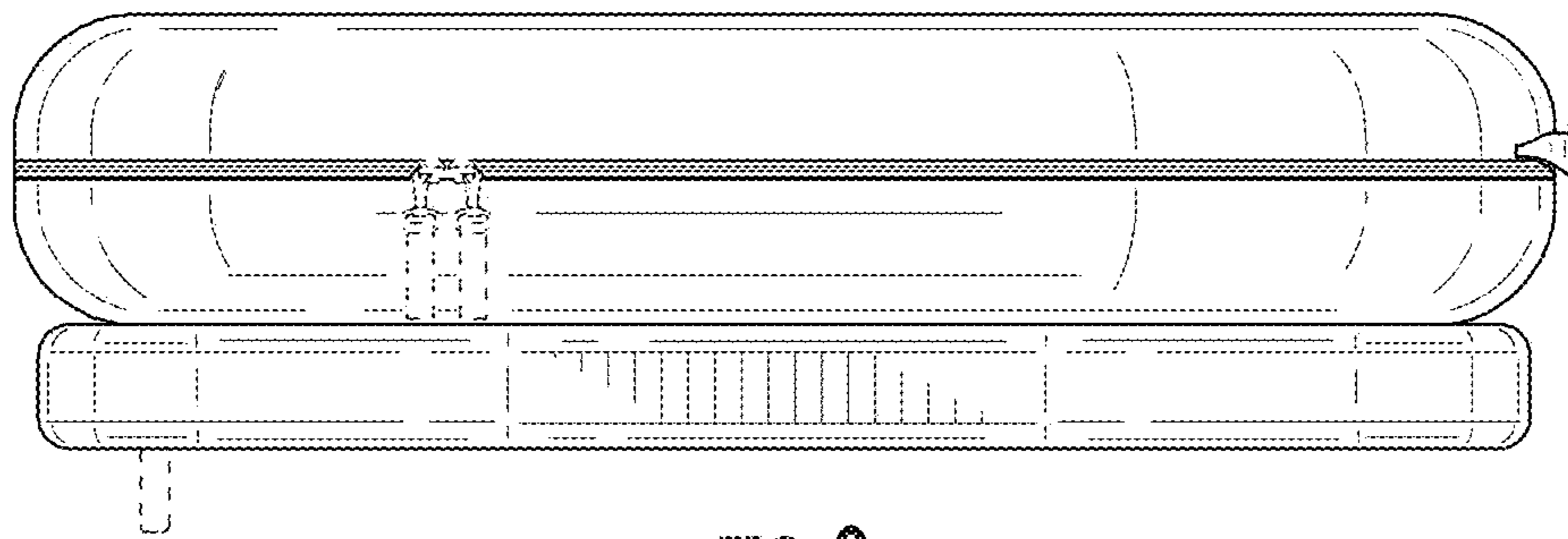


FIG. 3

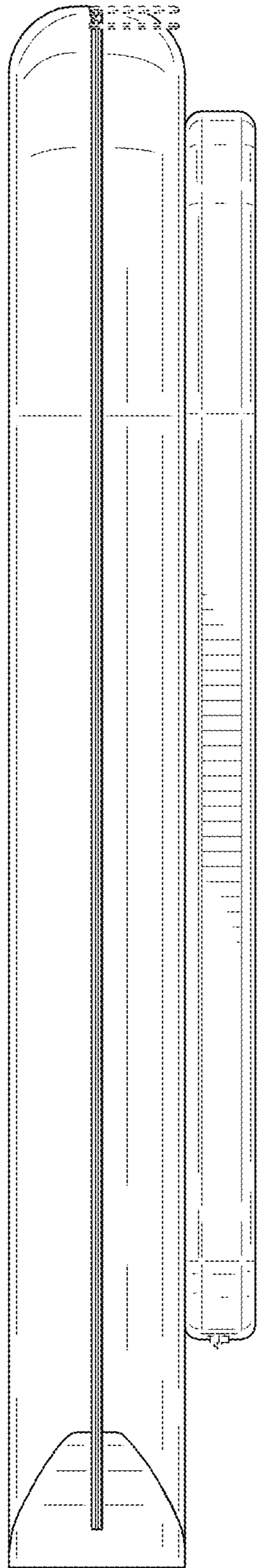


FIG. 4

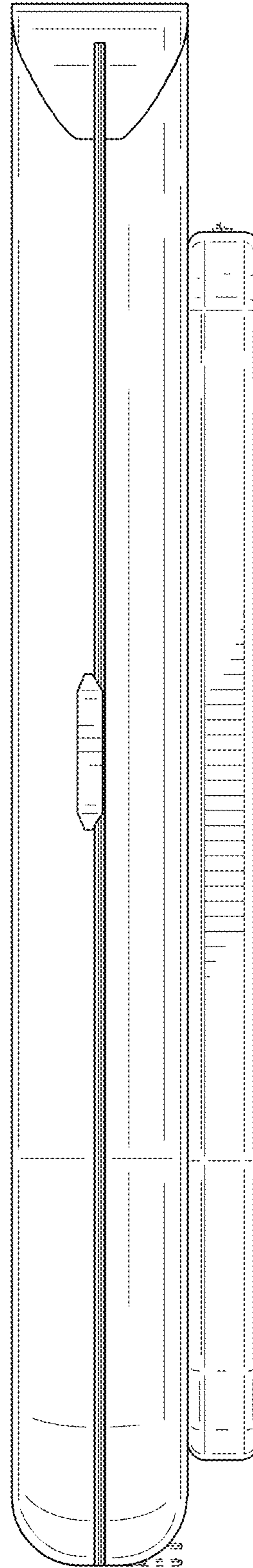


FIG. 5

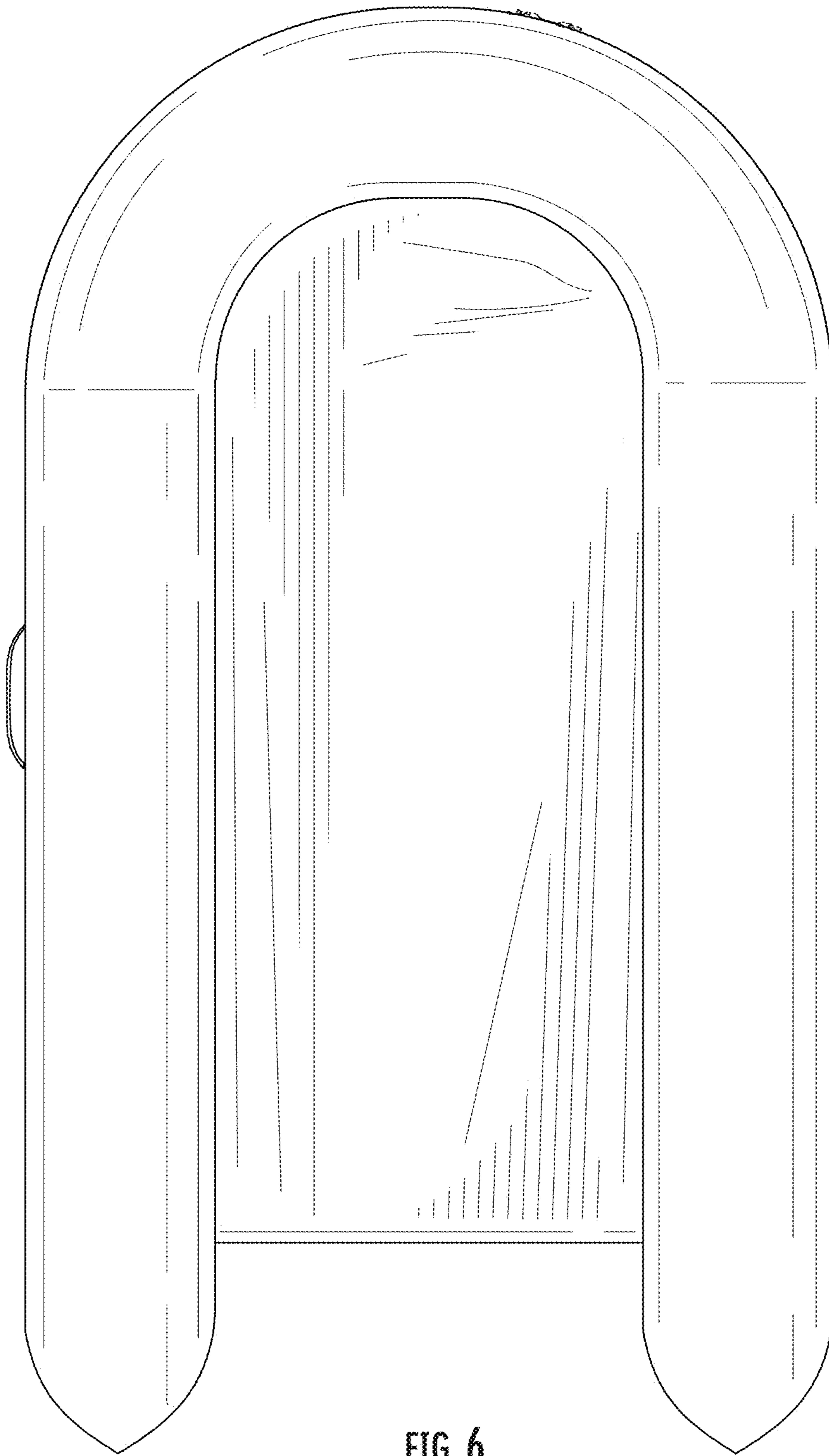


FIG. 6



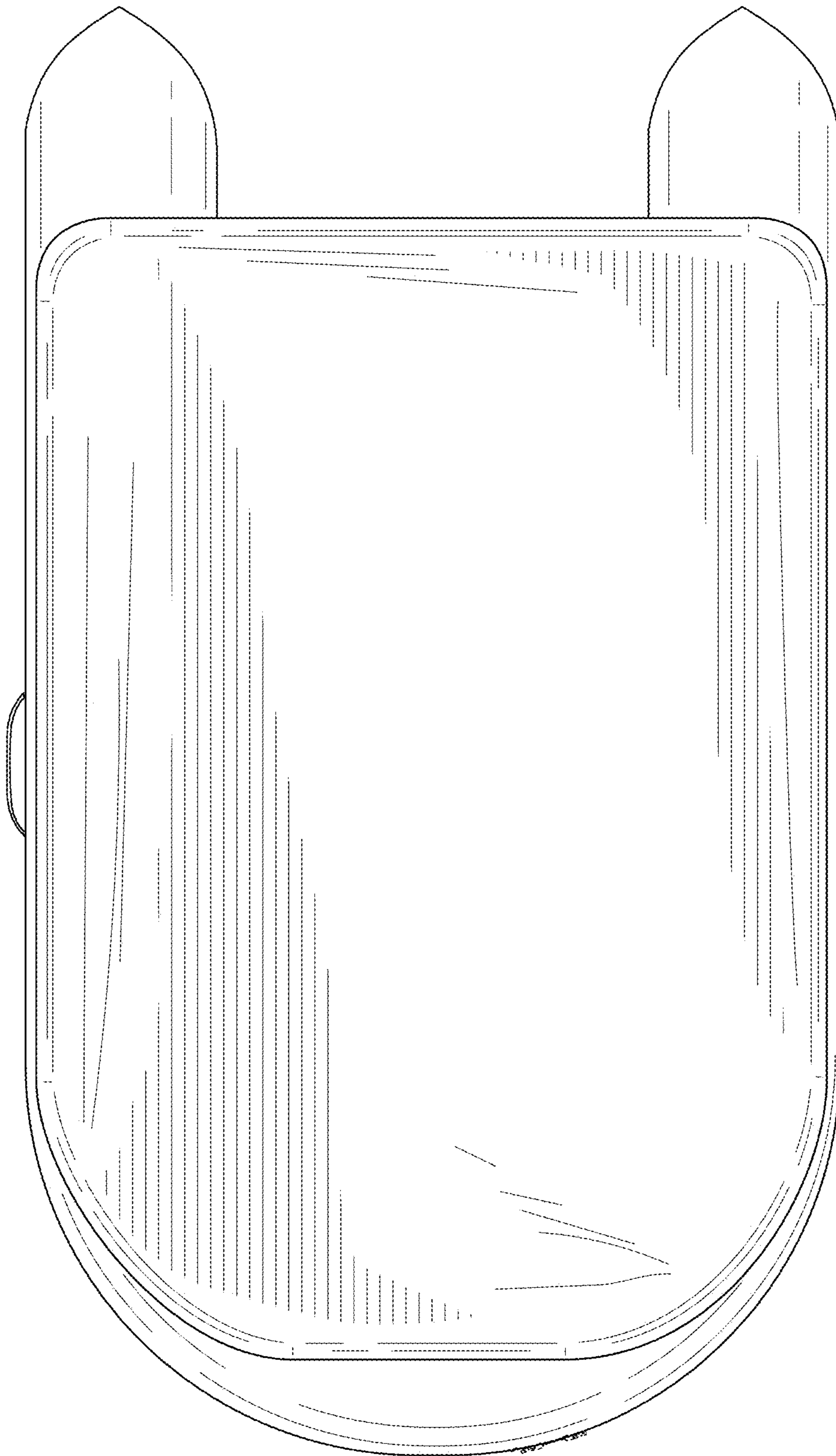


FIG. 7