



US00D875418S

(12) **United States Design Patent**
Saotome

(10) **Patent No.:** **US D875,418 S**

(45) **Date of Patent:** **** Feb. 18, 2020**

(54) **BENCH**

(71) Applicant: **Okamura Corporation**, Yokohama-shi,
Kanagawa (JP)

(72) Inventor: **Hiroshi Saotome**, Yokohama (JP)

(73) Assignee: **Okamura Corporation**, Yokohama-shi,
Kanagawa (JP)

(**) Term: **15 Years**

(21) Appl. No.: **29/656,224**

(22) Filed: **Jul. 11, 2018**

(30) **Foreign Application Priority Data**

Jan. 11, 2018 (JP) 2018-000305

(51) **LOC (12) Cl.** **06-01**

(52) **U.S. Cl.**
USPC **D6/381**

(58) **Field of Classification Search**
USPC D6/334, 335, 349, 352, 355, 363, 369,
D6/374-376, 378, 379-382, 601, 711,
D6/716-716.3

CPC A47C 1/16; A47C 3/04; A47C 3/12; A47C
5/02; A47C 5/04; A47C 5/14; A47C 7/02;
A47C 7/16; A47C 7/18; A47C 7/24;
A47C 7/40; A47C 7/56; A47C 11/00;
A47C 11/005; A47C 13/005; A47C
15/002; A47C 17/02

See application file for complete search history.

(56) **References Cited**

U.S. PATENT DOCUMENTS

D181,270 S * 10/1957 Barecki et al. D6/375
2,812,800 A * 11/1957 Eames A47C 1/12
297/239
D253,859 S * 1/1980 Hosoe D6/372
D412,622 S * 8/1999 DeJule D6/371

D445,574 S * 7/2001 Foster D6/336
D498,077 S * 11/2004 Tonizzo D6/381
D537,648 S * 3/2007 Moschini D6/381
D556,469 S * 12/2007 Adams D6/374
D575,073 S * 8/2008 Mitjans D6/381
D609,491 S * 2/2010 Lievore D6/381
D826,607 S * 8/2018 Zdanius D6/708
2005/0146180 A1 * 7/2005 Fisher A47C 1/12
297/248
2016/0051055 A1 * 2/2016 Scagnellato A47C 3/04
297/452.2

OTHER PUBLICATIONS

InStock Chairs.com. https://www.instockchairs.com/turini-5-seater-airport-seating-c12706.html?utm_source=turini-5-seater-airport-seating . . . "Turini 5-Seater Airport Seating". Date Unknown: Viewed Sep. 2019 (Year: 2019).*

* cited by examiner

Primary Examiner — R. Johnson

(74) *Attorney, Agent, or Firm* — Banner & Witcoff, Ltd.

(57) **CLAIM**

The ornamental design for a bench, as shown and described.

DESCRIPTION

FIG. 1 is a front perspective view of a bench showing my new design;
FIG. 2 is a rear perspective view thereof;
FIG. 3 is a front view thereof;
FIG. 4 is a rear view thereof;
FIG. 5 is a right side view thereof, a left view thereof being a mirror image;
FIG. 6 is a top view thereof;
FIG. 7 is a bottom view thereof;
FIG. 8 is a cross-sectional view taken along the line 8-8 in FIG. 3; and,
FIG. 9 is a cross-sectional view taken along the line 9-9 in FIG. 5.

1 Claim, 6 Drawing Sheets

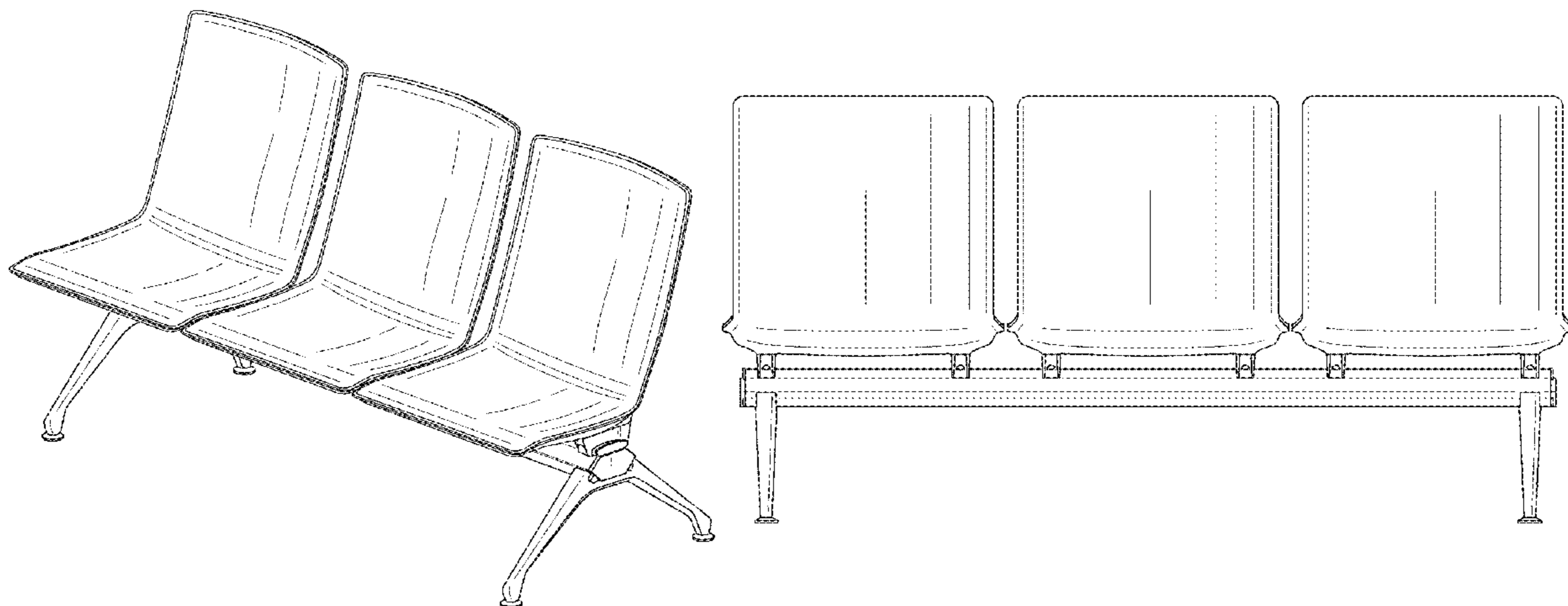


FIG. 1

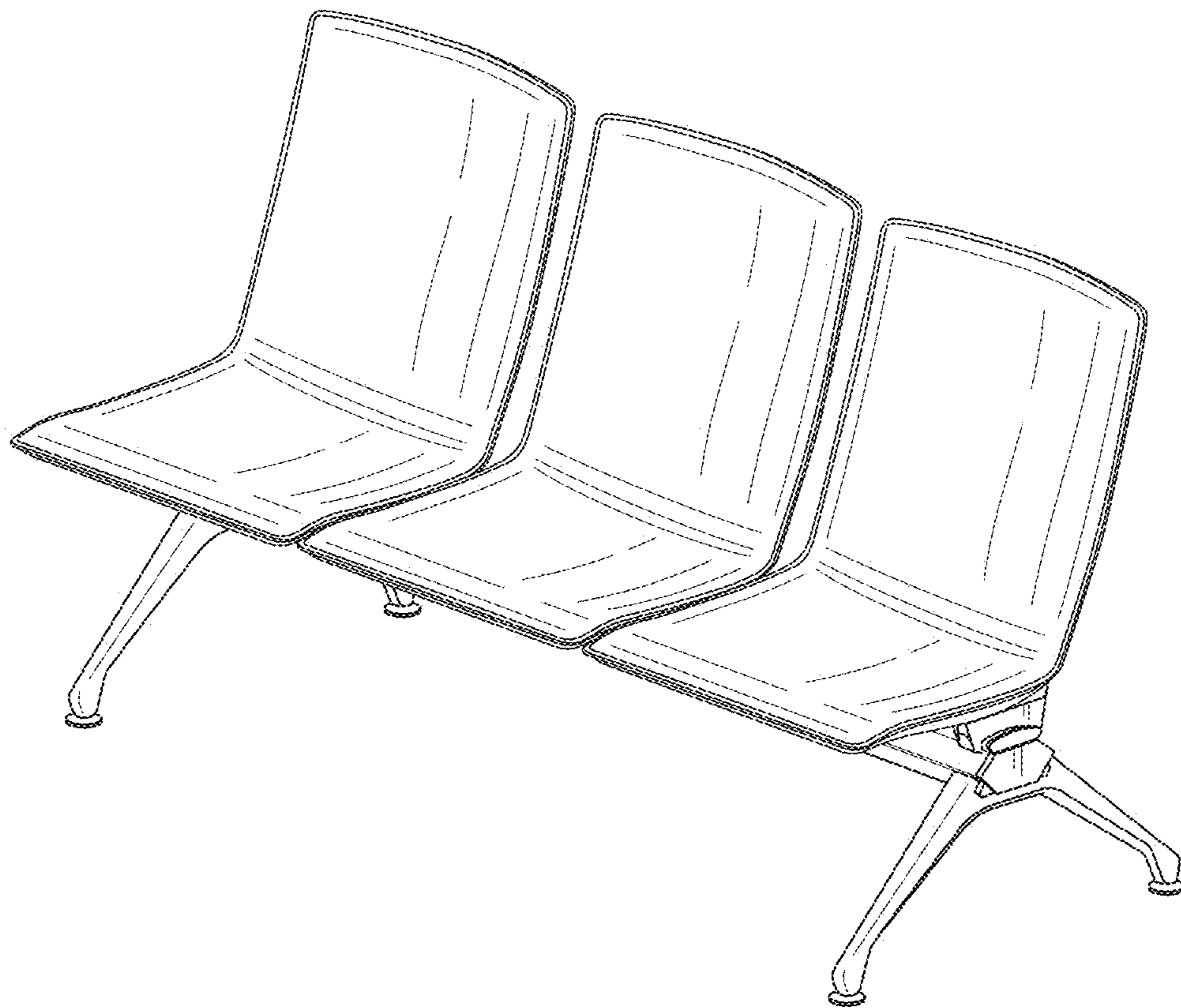


FIG. 2

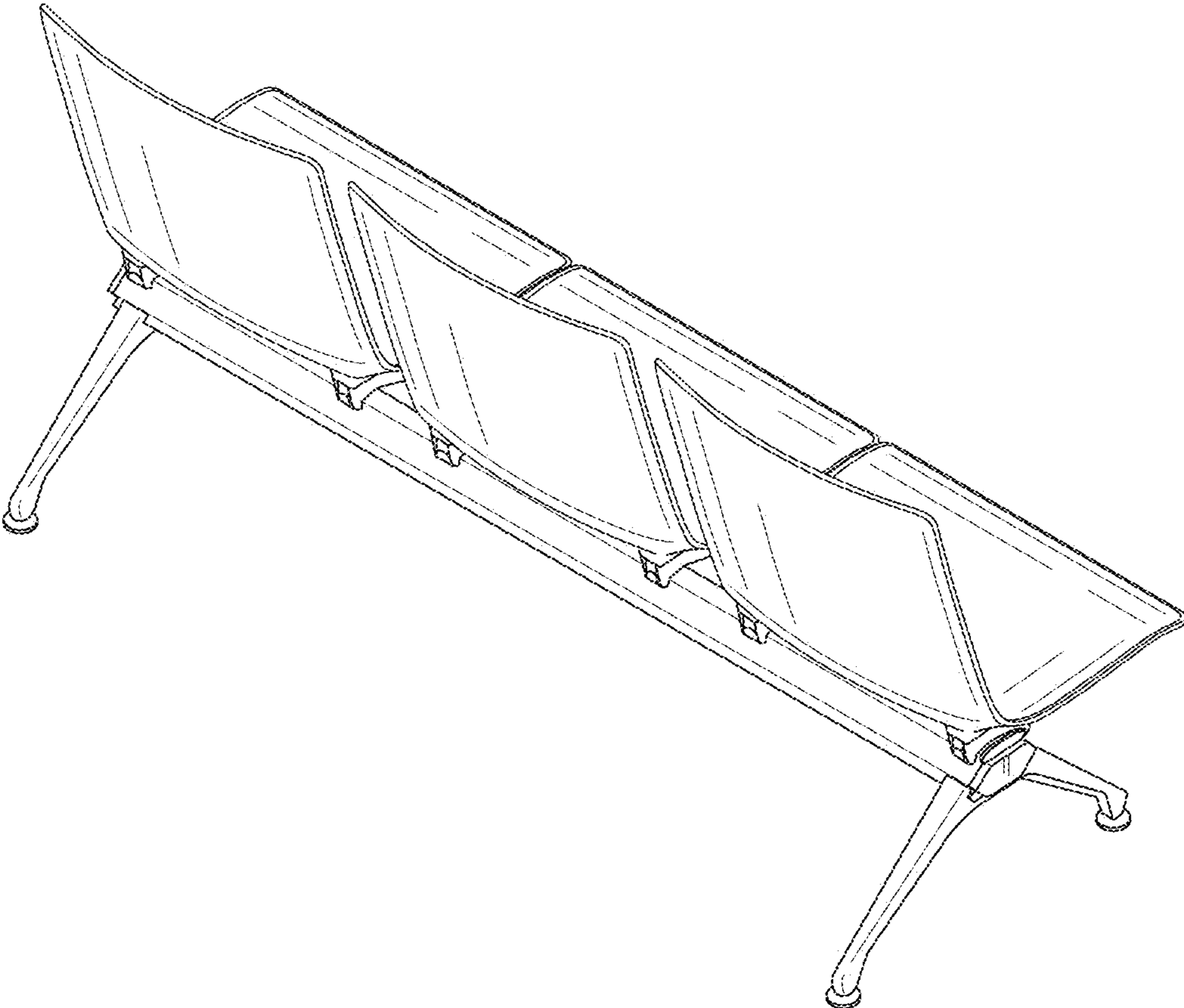
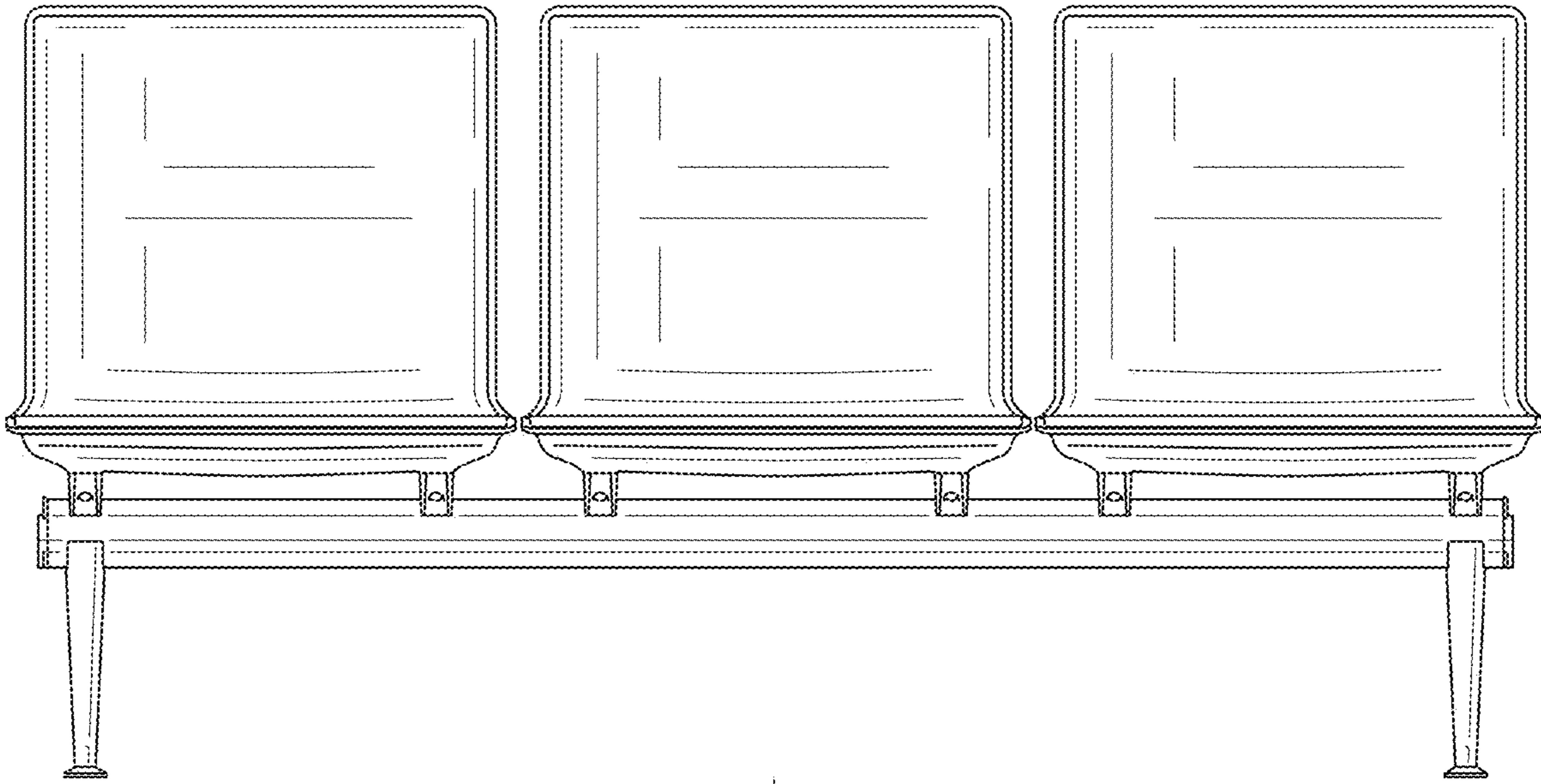


FIG. 3

8 ↙



8 ↙

FIG. 4

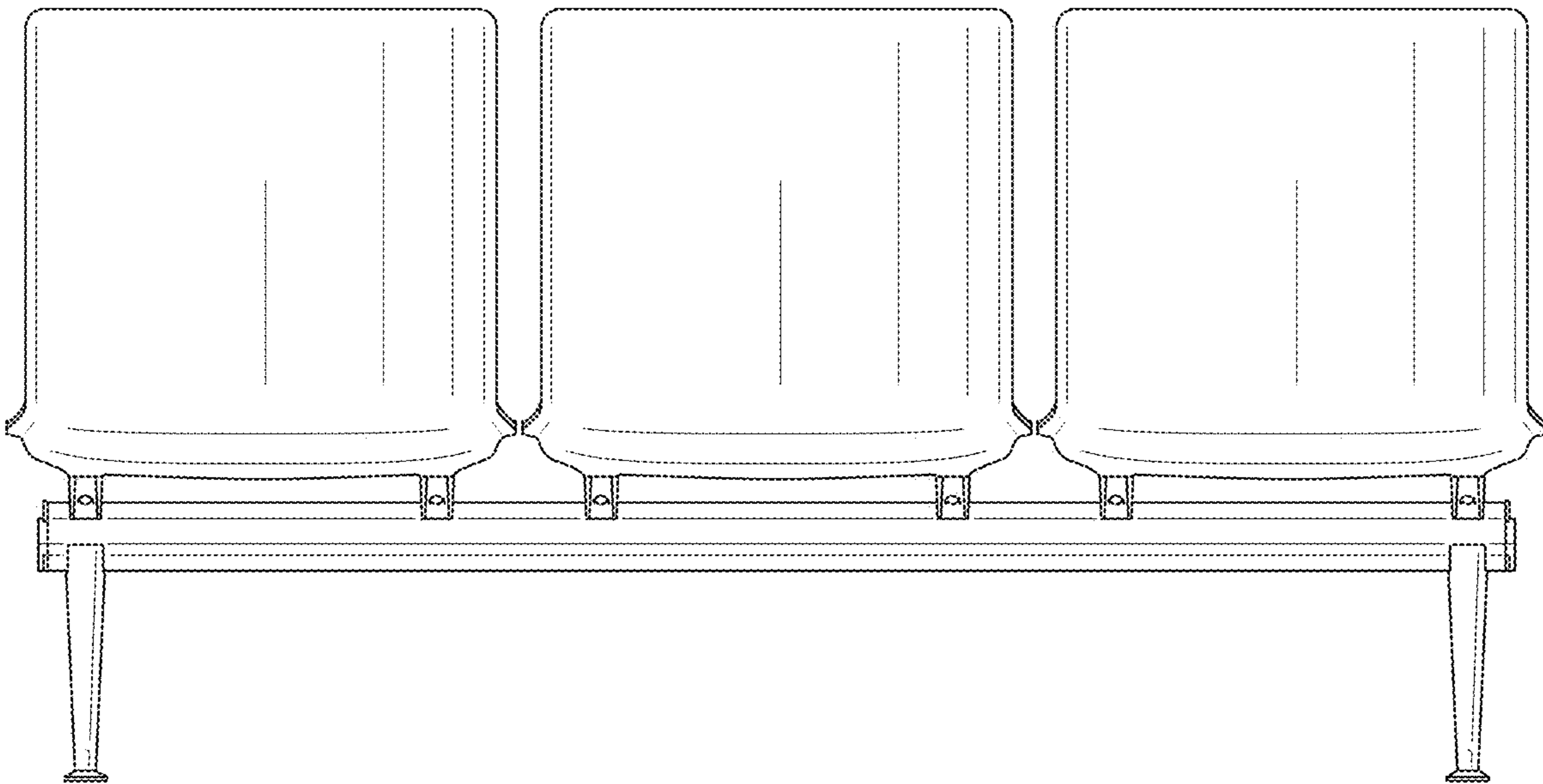


FIG. 5

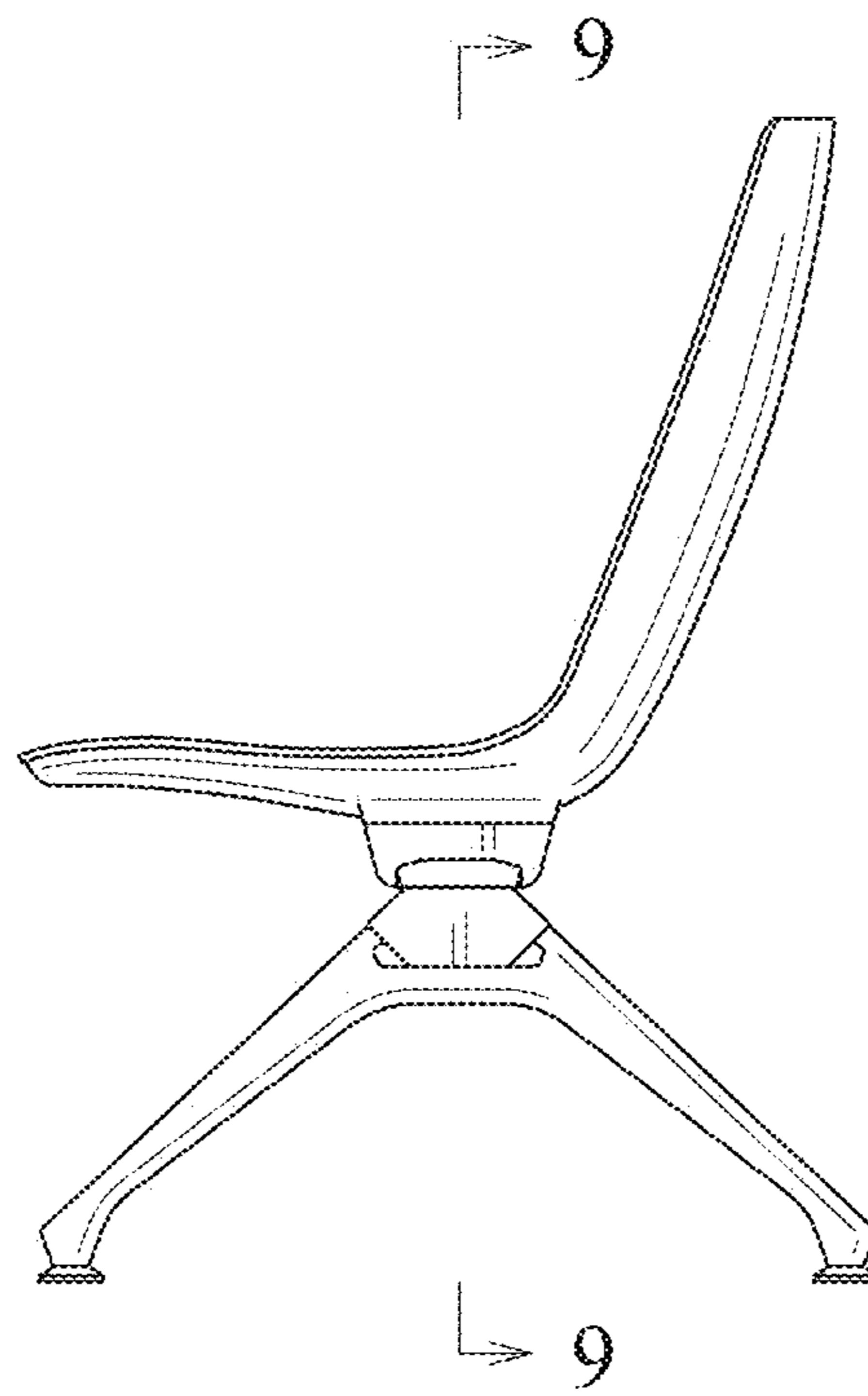


FIG. 6

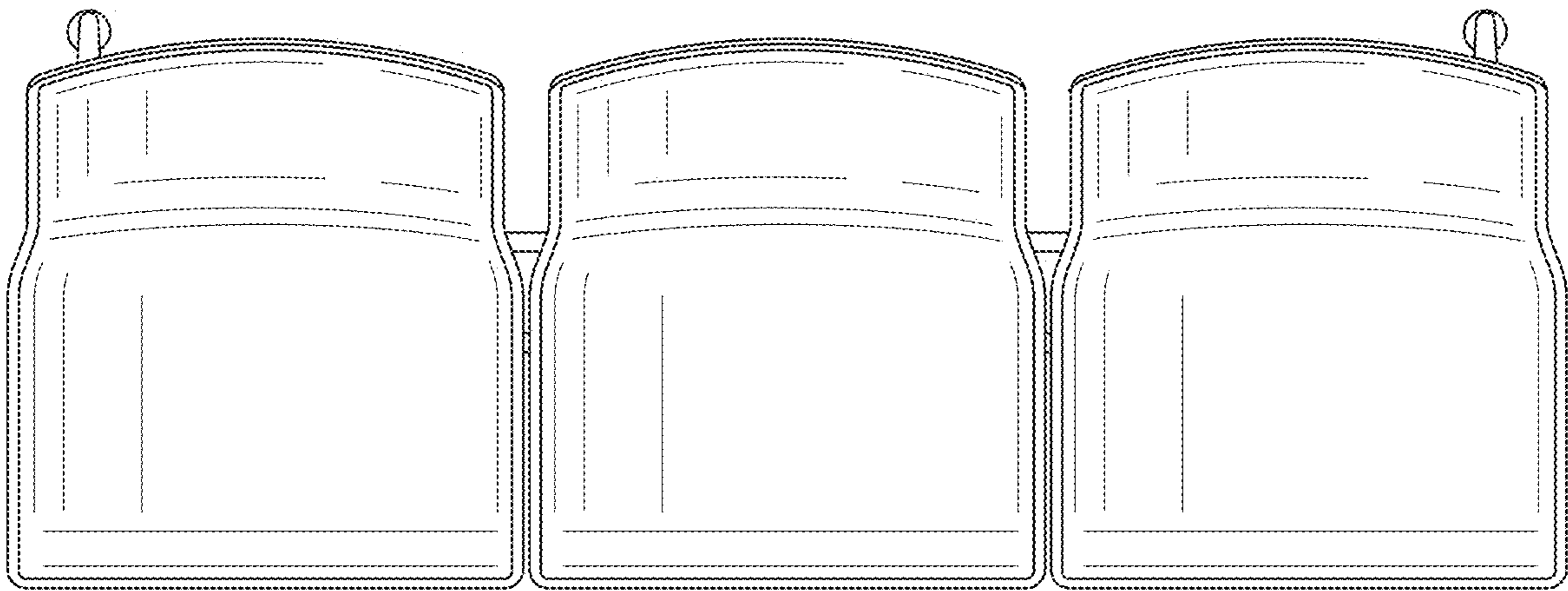


FIG. 7

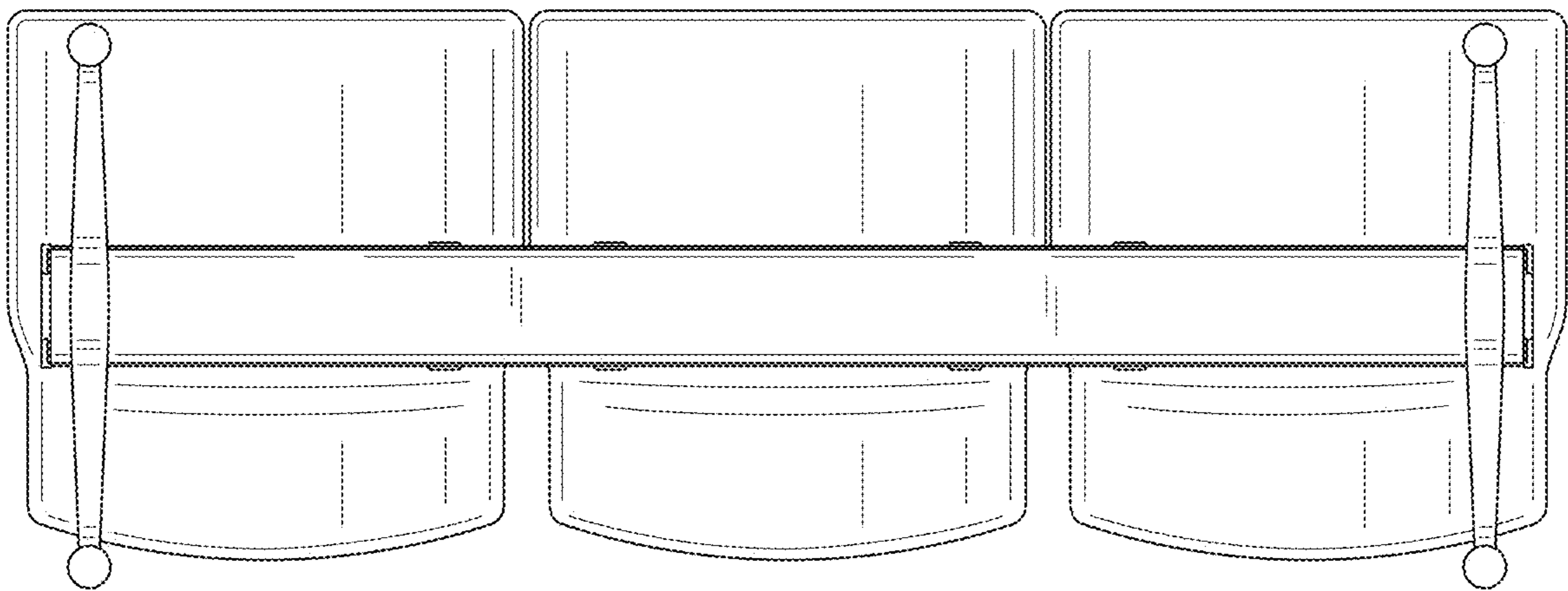


FIG. 8

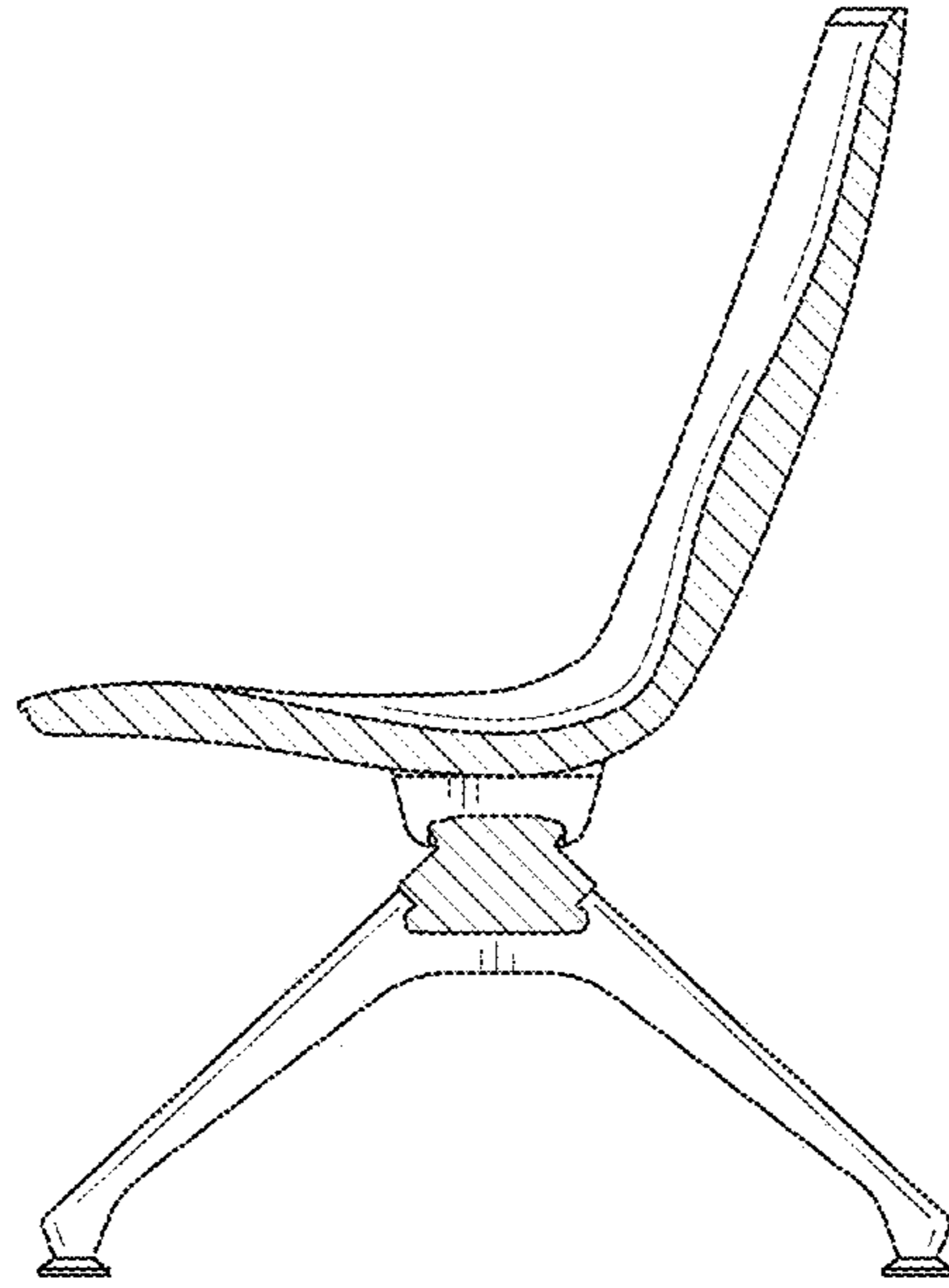


FIG. 9

