



US00D875416S

(12) **United States Design Patent**  
**Fukasawa**

(10) **Patent No.:** **US D875,416 S**  
(45) **Date of Patent:** **\*\* Feb. 18, 2020**

(54) **CHAIR**

(71) Applicants: **Maruni Wood Industry Inc.**,  
Hiroshima (JP); **Naoto Fukasawa**  
**Design Ltd.**, Tokyo (JP)

(72) Inventor: **Naoto Fukasawa**, Tokyo (JP)

(73) Assignees: **MARUNI WOOD INDUSTRY INC.**,  
Hiroshima (JP); **NAOTO FUKASAWA**  
**DESIGN LTD.**, Tokyo (JP)

(\*\*) Term: **15 Years**

(21) Appl. No.: **29/651,516**

(22) Filed: **Aug. 20, 2018**

(30) **Foreign Application Priority Data**

Feb. 21, 2018 (JP) ..... 2018-003505

(51) **LOC (12) Cl.** ..... **06-01**

(52) **U.S. Cl.**  
USPC ..... **D6/380**

(58) **Field of Classification Search**  
USPC ..... D6/334, 335, 349, 370-376, 379, 380  
CPC .... A47C 1/00; A47C 3/00; A47C 3/04; A47C  
3/12; A47C 5/04; A47C 5/14; A47C 7/02;  
A47C 7/16; A47C 7/18; A47C 7/24;  
A47C 7/36; A47C 7/40

See application file for complete search history.

(56) **References Cited**

**U.S. PATENT DOCUMENTS**

D569,647 S *	5/2008	Mezger	.....	D6/374
D656,755 S *	4/2012	Wanders	.....	D6/375
D730,097 S *	5/2015	Kubryk	.....	D6/716
D730,100 S *	5/2015	Kubryk	.....	D6/716
D742,132 S *	11/2015	Morrison	.....	D6/375
D742,675 S *	11/2015	Morrison	.....	D6/375
D746,609 S *	1/2016	Lievore	.....	D6/375

D751,838 S *	3/2016	Ciani	.....	D6/381
D794,349 S *	8/2017	Levy	.....	D6/374
D798,068 S *	9/2017	Iqbal	.....	D6/334
D799,233 S *	10/2017	Cvek	.....	D6/375
D815,452 S *	4/2018	Hannoosh	.....	D6/380
D825,216 S *	8/2018	Schaeffer	.....	D6/375
D836,360 S *	12/2018	Novak	.....	D6/375
D836,934 S *	1/2019	Gufler	.....	D6/380

(Continued)

**FOREIGN PATENT DOCUMENTS**

CN	303833164	9/2016
JP	1618506	11/2018
JP	D 1618506	11/2018

(Continued)

**OTHER PUBLICATIONS**

Guide 2017, Architecture Interieure Cree No. 382, published Aug. 31, 2017, 185<sup>th</sup> page.

(Continued)

*Primary Examiner* — R. Johnson

(74) *Attorney, Agent, or Firm* — Andrew F. Young, Esq.;  
Lackebach Siegel, LLP

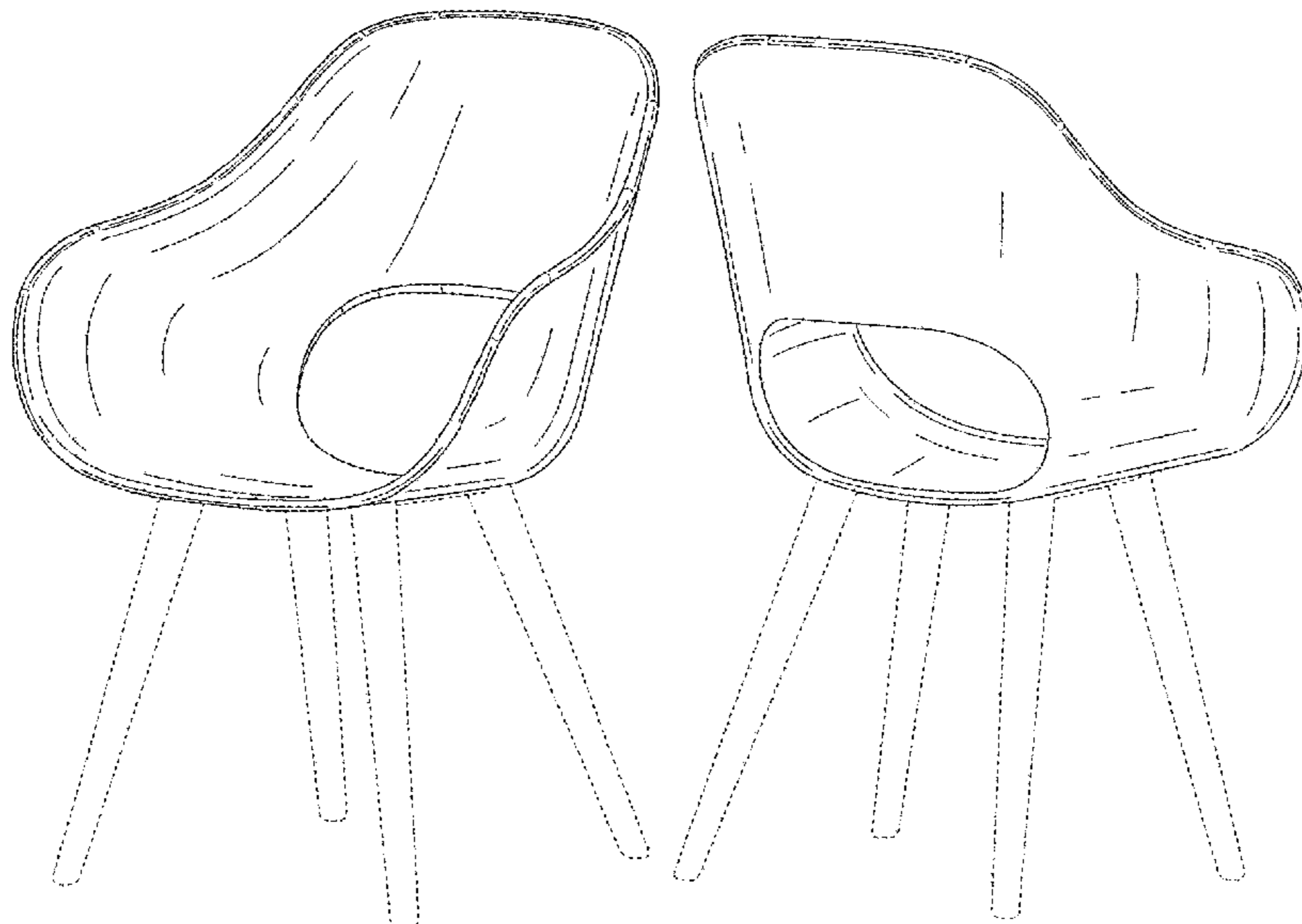
(57) **CLAIM**

The ornamental design for a chair, as shown and described.

**DESCRIPTION**

FIG. 1 is a front perspective view of the present invention.  
FIG. 2 is a rear perspective view of FIG. 1.  
FIG. 3 is a front elevation view of FIG. 1.  
FIG. 4 is a rear elevation view of FIG. 1.  
FIG. 5 is a right side view of FIG. 1.  
FIG. 6 is a left side view of FIG. 1.  
FIG. 7 is a top plan view of FIG. 1; and,  
FIG. 8 is a bottom plan view of FIG. 1.

**1 Claim, 8 Drawing Sheets**



(56)

**References Cited**

U.S. PATENT DOCUMENTS

D850,138 S \* 6/2019 Taraba ..... D6/380  
D853,742 S \* 7/2019 Novak ..... D6/360

FOREIGN PATENT DOCUMENTS

KR 30-0917599 8/2017  
TW 138722 1/2011

OTHER PUBLICATIONS

Architecture Interieure Cree, No. 365, published May 13, 2014, 84<sup>th</sup> page.

Tendon Edition 16 for Home, T-3203AS-NT, published Jan. 6, 2017, 24<sup>th</sup> page.

International Bureau Design Bulletin, Apr. 28, 2017, DM/095689, 26 pages.

International Bureau Design Bulletin, Oct. 13, 2017, DM/095777, 26 pages.

TW 107304891, Notice of Allowance dated Mar. 27, 2019, 3 pages—English, 3 pages—Chinese.

\* cited by examiner

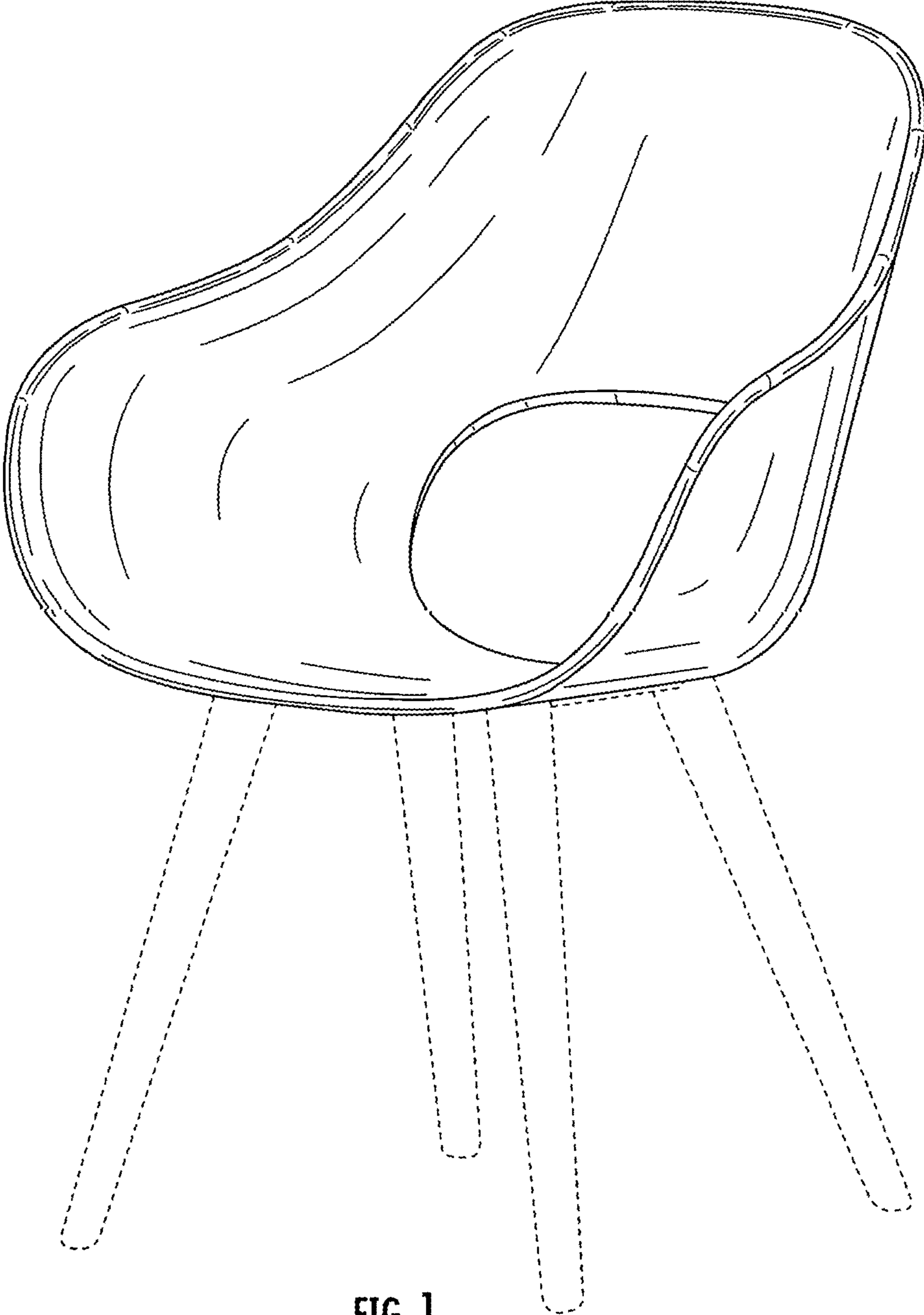


FIG. 1

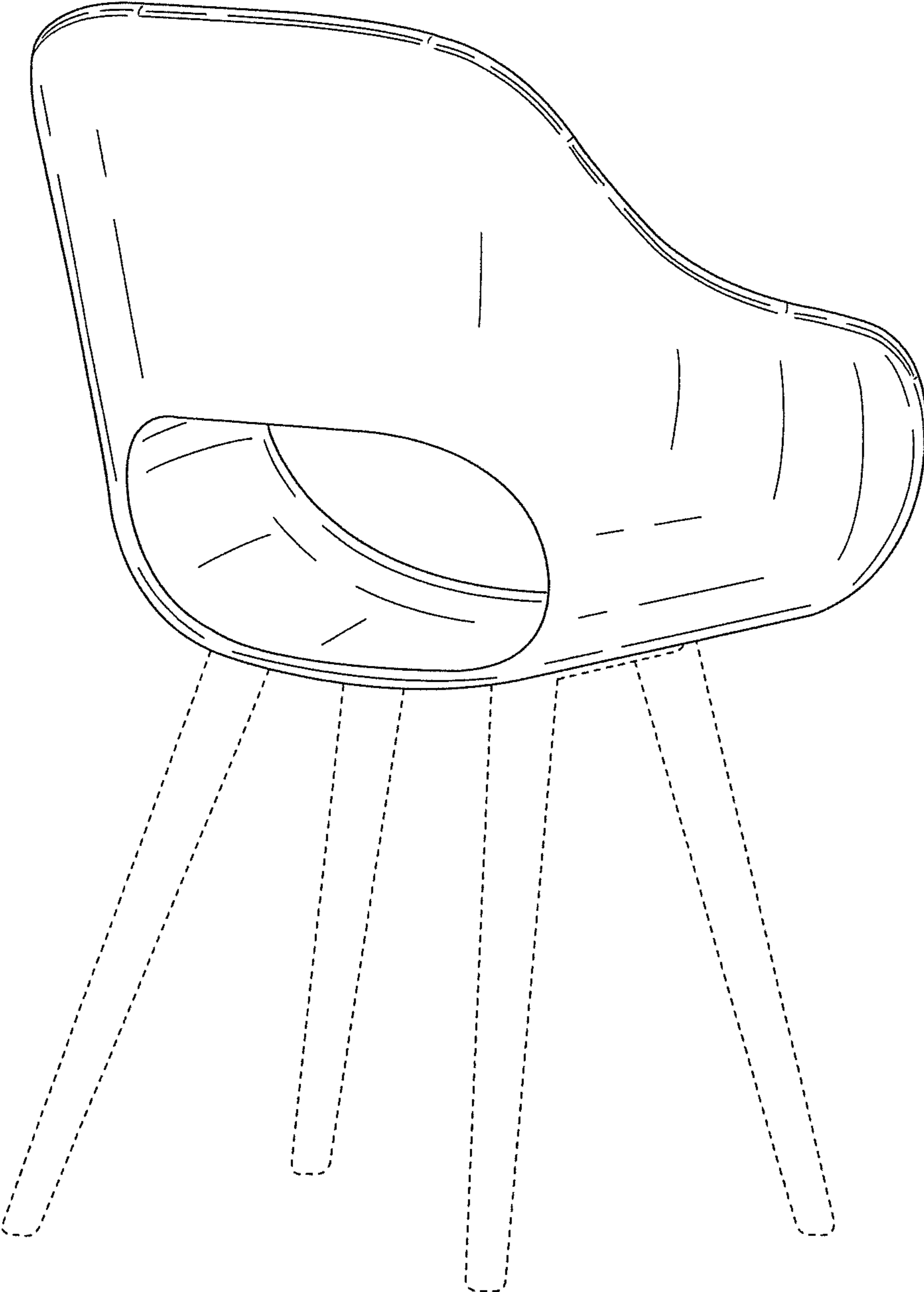


FIG. 2

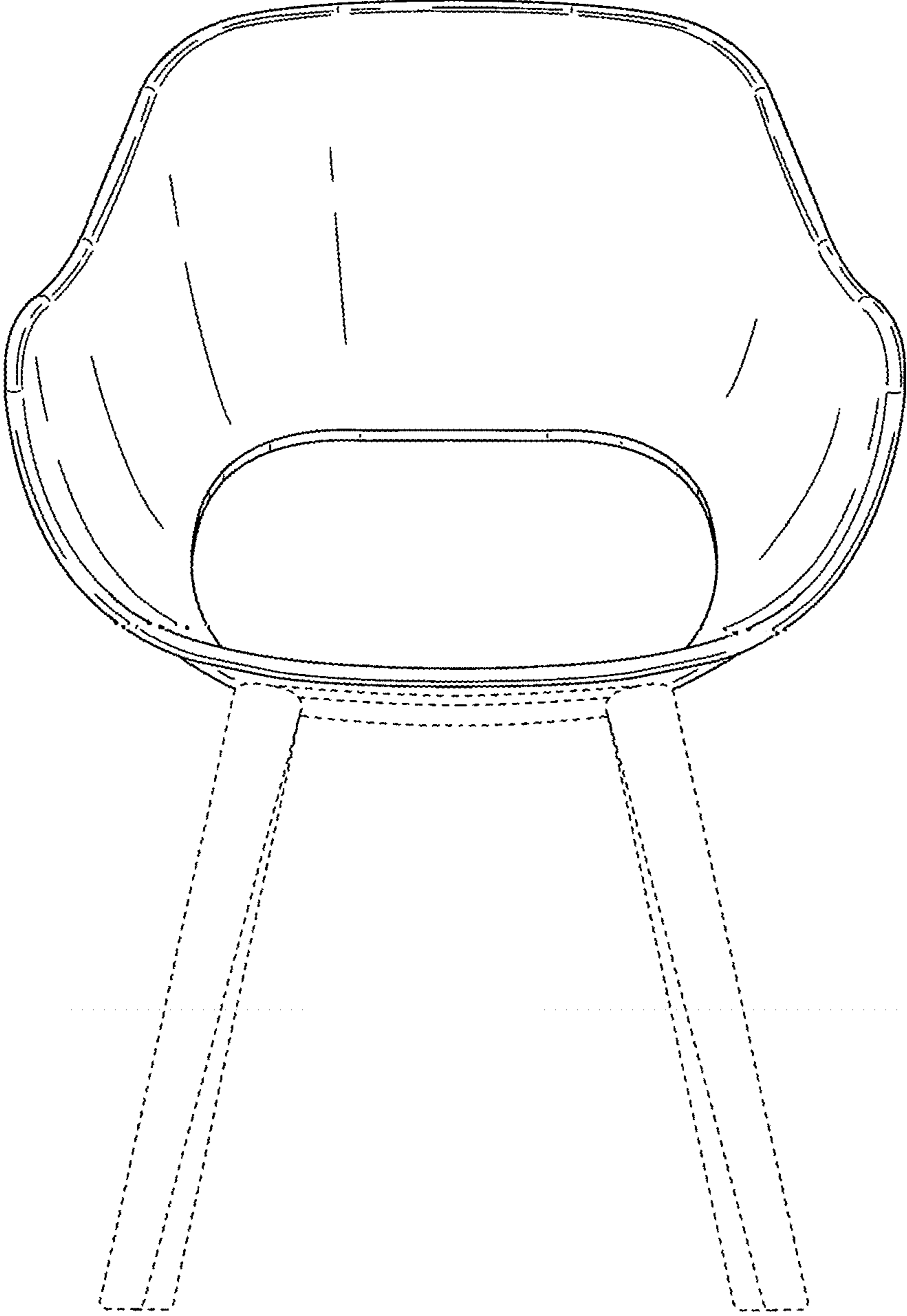


FIG. 3

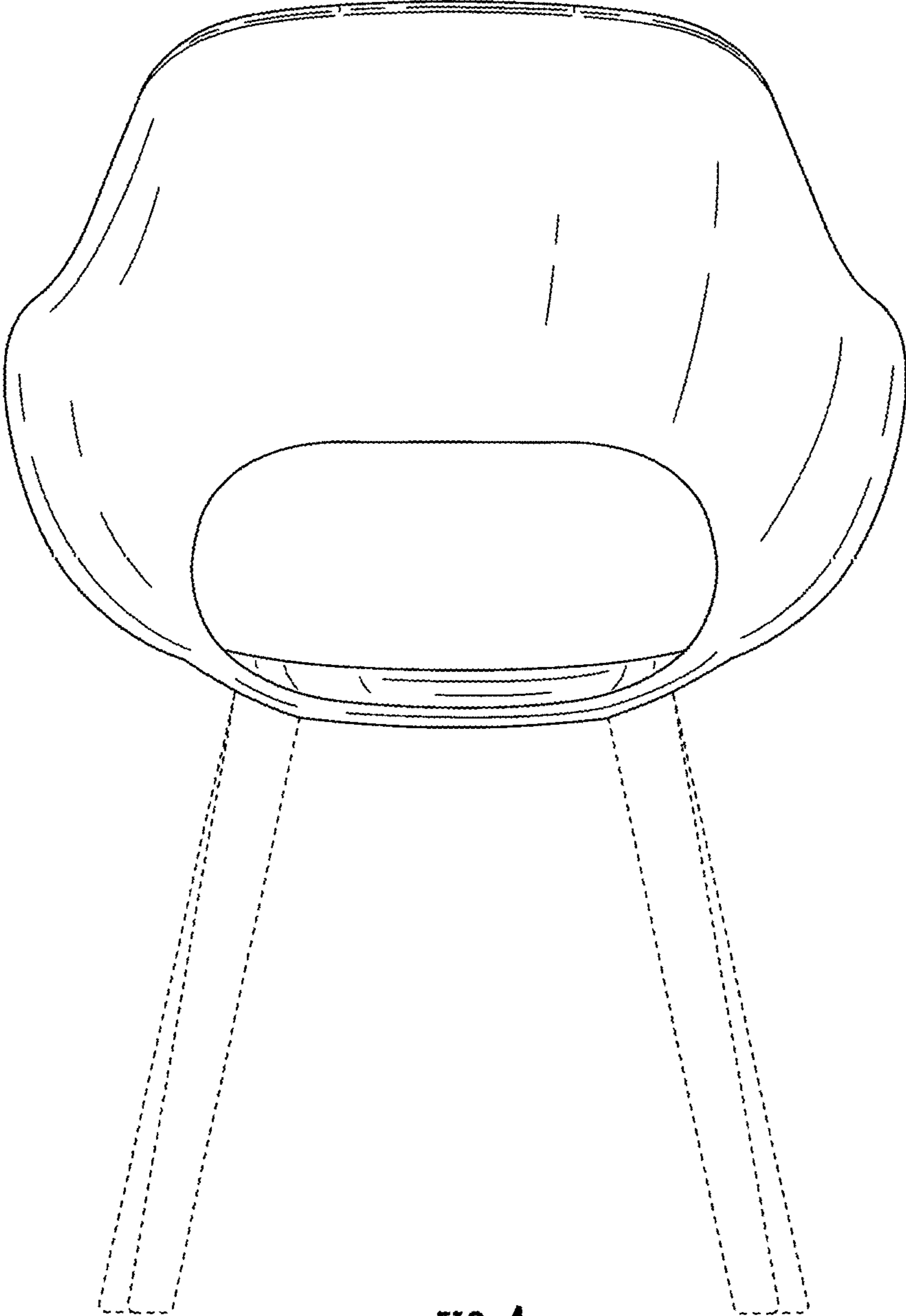


FIG. 4

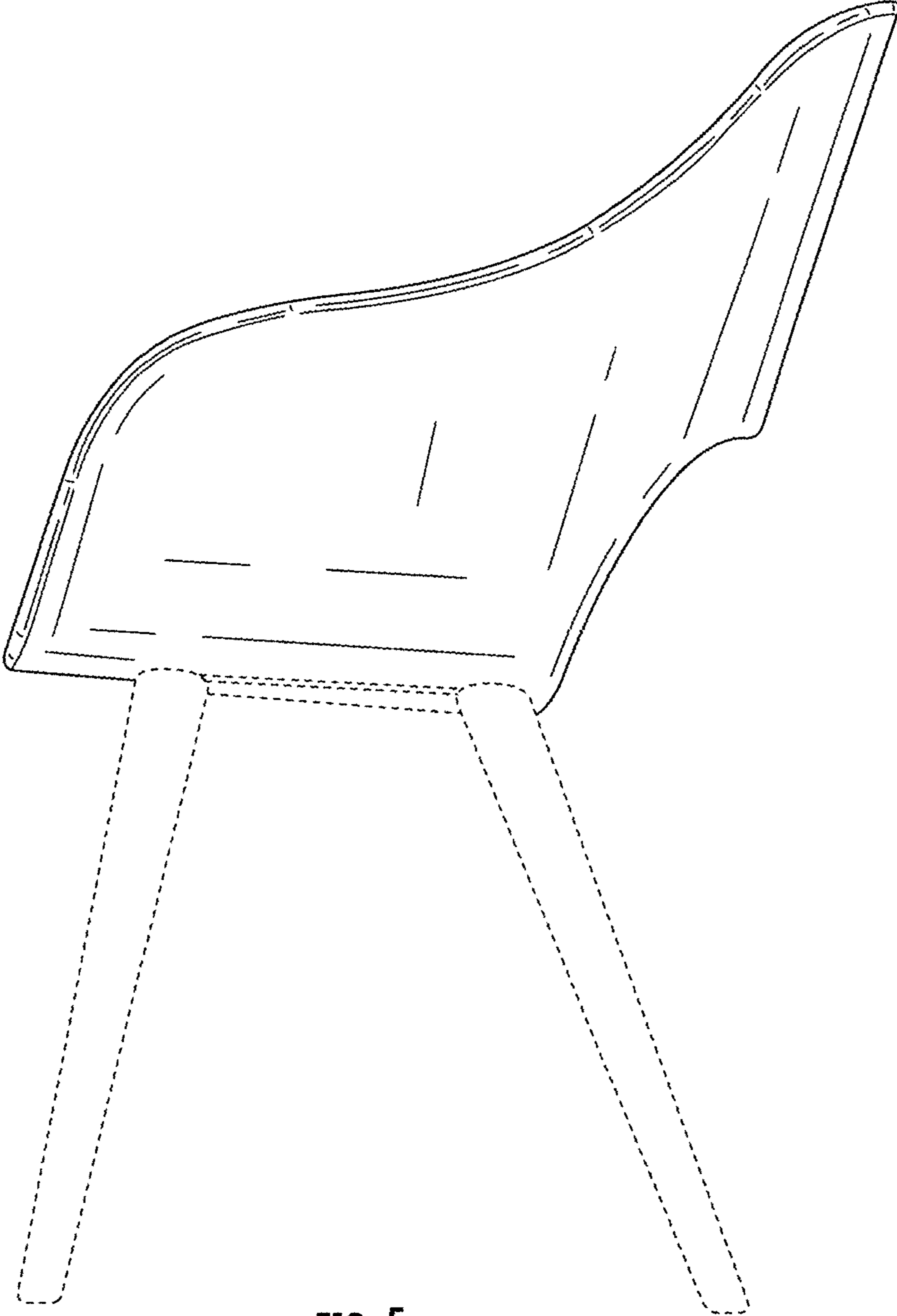


FIG. 5

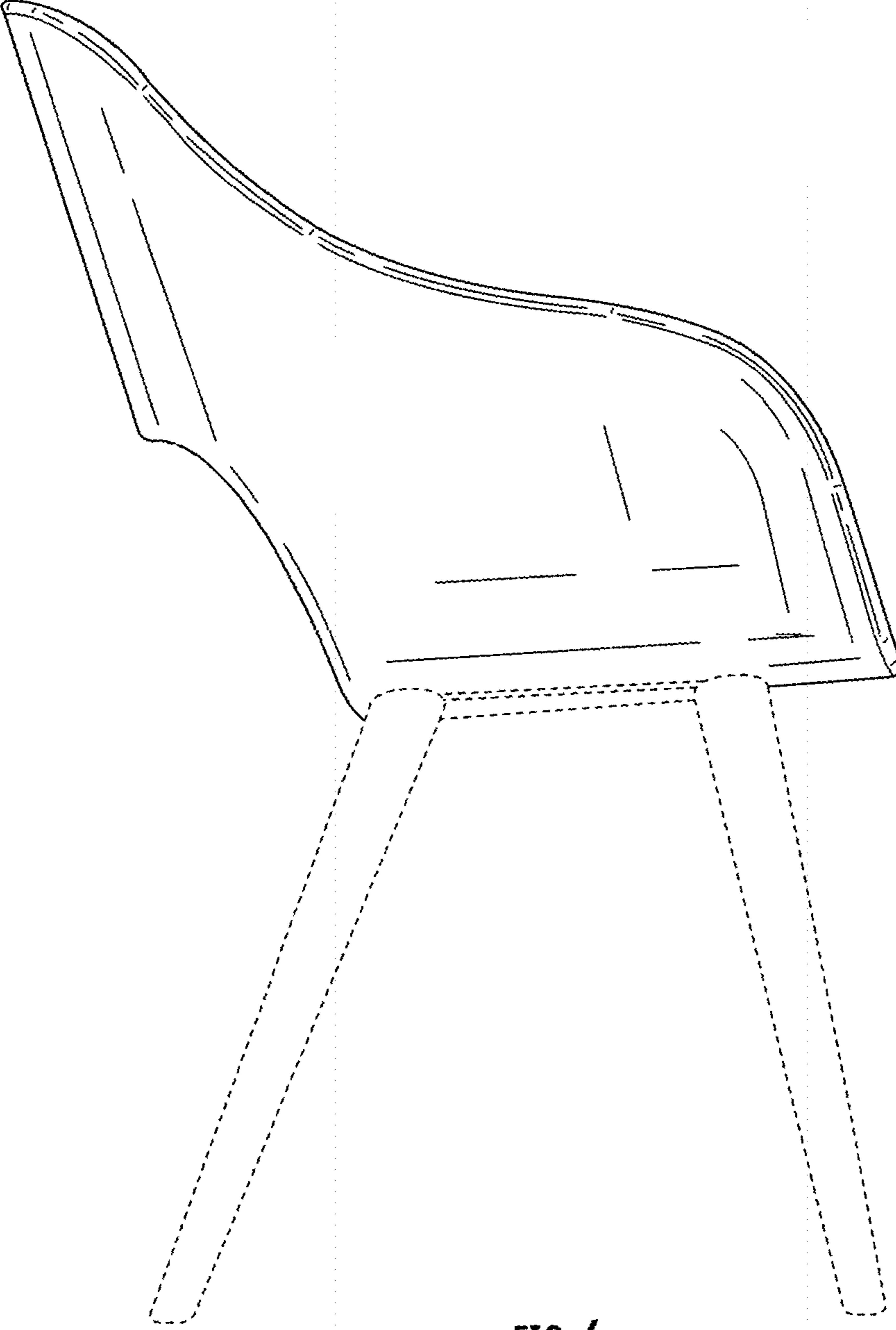


FIG. 6



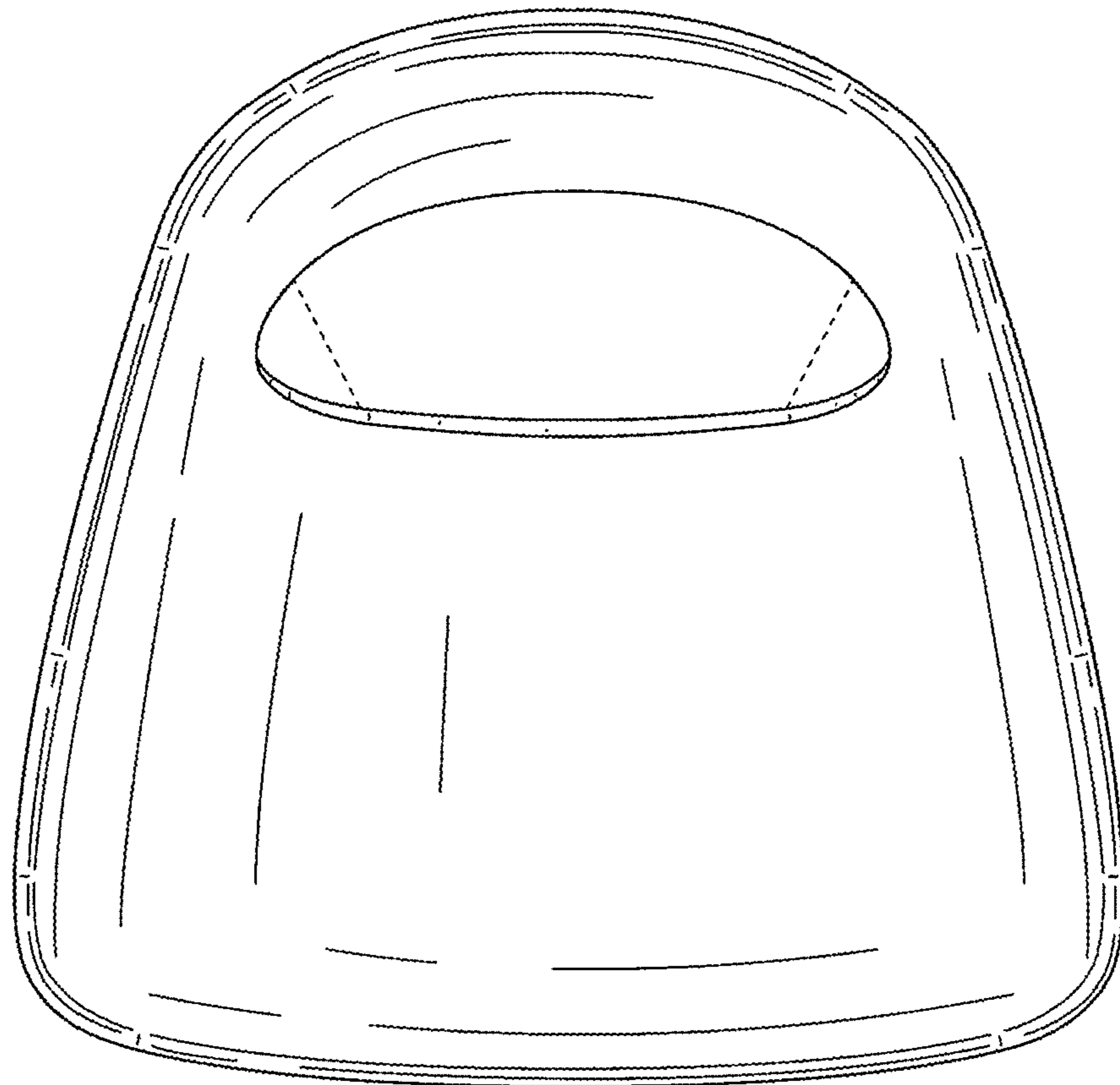


FIG. 7

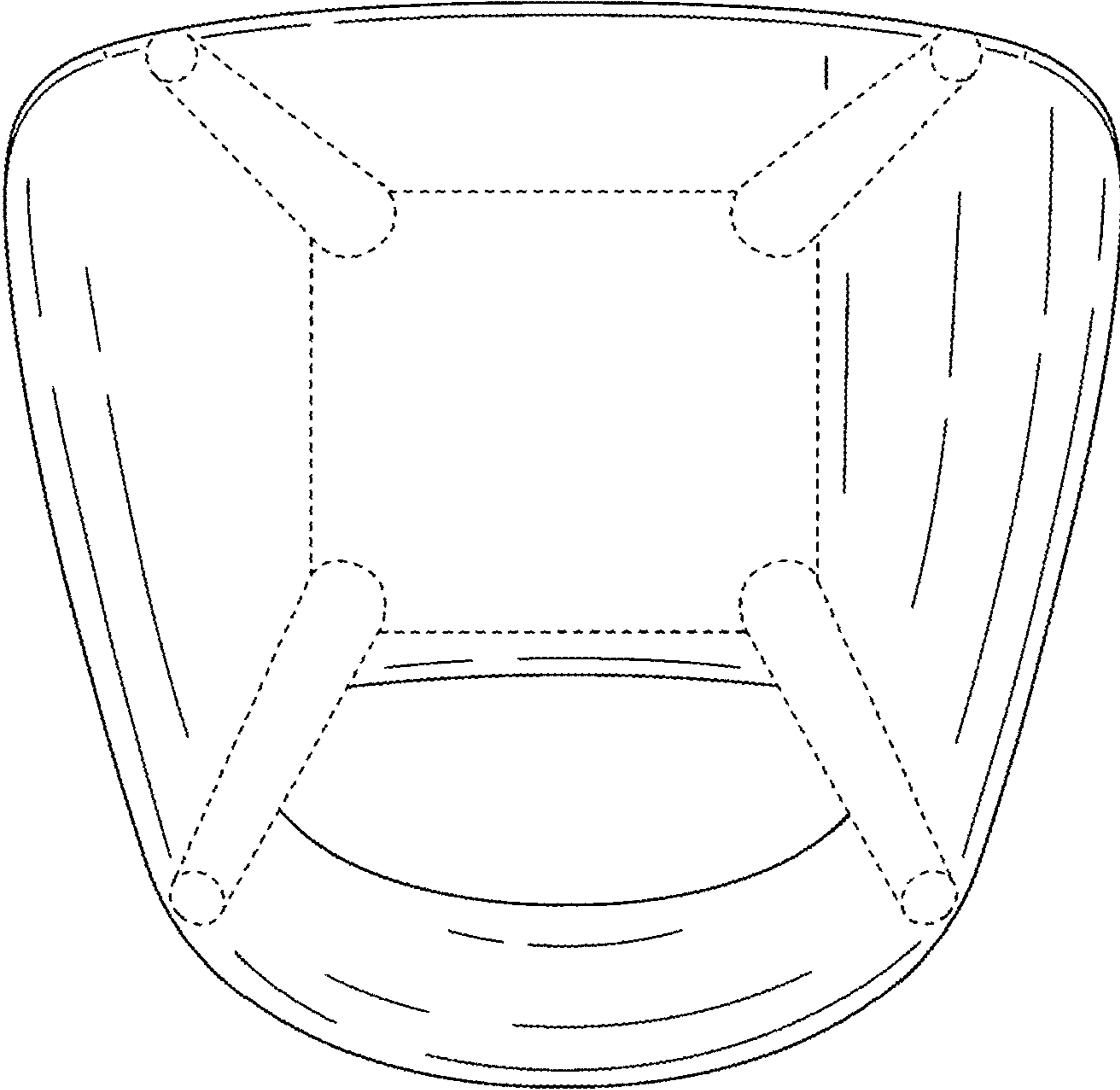


FIG. 8