



US00D875412S

(12) **United States Design Patent** (10) **Patent No.:** **US D875,412 S**  
**Davis, III** (45) **Date of Patent:** **\*\* Feb. 18, 2020**

(54) **FULL-BODY ELEVATOR**  
(71) Applicant: **Thomas W. Davis, III**, Bethany, LA (US)  
(72) Inventor: **Thomas W. Davis, III**, Bethany, LA (US)  
(\*\*) Term: **15 Years**  
(21) Appl. No.: **29/666,672**  
(22) Filed: **Oct. 15, 2018**  
(51) **LOC (12) Cl.** ..... **06-01**  
(52) **U.S. Cl.**  
USPC ..... **D6/361; D6/382**  
(58) **Field of Classification Search**  
USPC ..... D6/333, 361, 382, 383, 718, 596, 601, D6/604; D24/183, 184  
CPC ..... A47C 27/08; A47C 27/125; A47C 7/36; A47C 5/005; A47C 4/54; A47D 1/02; A47D 15/001  
See application file for complete search history.

5,815,862 A \* 10/1998 Rygiel ..... A47C 27/081 5/632  
D484,213 S \* 12/2003 Linder ..... D21/803  
D487,553 S \* 3/2004 Morikawa ..... D6/601  
6,823,545 B1 \* 11/2004 Davis ..... A47C 16/02 5/630  
7,134,158 B2 \* 11/2006 Tokarz ..... A47C 20/021 5/632  
D543,064 S \* 5/2007 Hale ..... D6/596  
D543,407 S \* 5/2007 Thom ..... D6/604  
D550,974 S \* 9/2007 Thornbury ..... D6/361  
D566,448 S \* 4/2008 Ridder ..... D24/183  
7,997,216 B2 \* 8/2011 Thornbury ..... A47B 37/04 108/157.1  
D651,840 S \* 1/2012 Davis, III ..... A47C 20/048 D6/601

(Continued)

**OTHER PUBLICATIONS**

Inflatable Lounge Chair, KVROnline, site visited Sep. 13, 2019, available online at <https://www.lelong.com.my/inflatable-lounge-chair-cushion-air-blow-comfortable-relax-flocked-kvronline-I6014856-2007-01-Sale-I.htm> (Year: 2019).\*

*Primary Examiner* — Cathron C Brooks  
(74) *Attorney, Agent, or Firm* — R. Keith Harrison

(56) **References Cited**

**U.S. PATENT DOCUMENTS**

1,644,600 A \* 10/1927 Morgan ..... A47C 27/125 5/690  
2,281,629 A \* 5/1942 Snow ..... A47D 13/08 5/655  
3,680,917 A \* 8/1972 Harris ..... A47C 4/54 297/452.41  
D246,816 S \* 1/1978 Tam ..... D6/596  
4,092,049 A \* 5/1978 Schoblom ..... A47C 4/022 297/218.4  
D249,304 S \* 9/1978 Nash ..... D6/361  
D364,202 S \* 11/1995 Benson ..... D21/686  
D370,066 S \* 5/1996 Kennemore ..... D24/183  
D372,805 S \* 8/1996 Bonaddio ..... D6/334  
5,699,569 A \* 12/1997 Schwarz-Zohrer ..... A47D 1/02 5/655  
D398,181 S \* 9/1998 Lange ..... D6/596

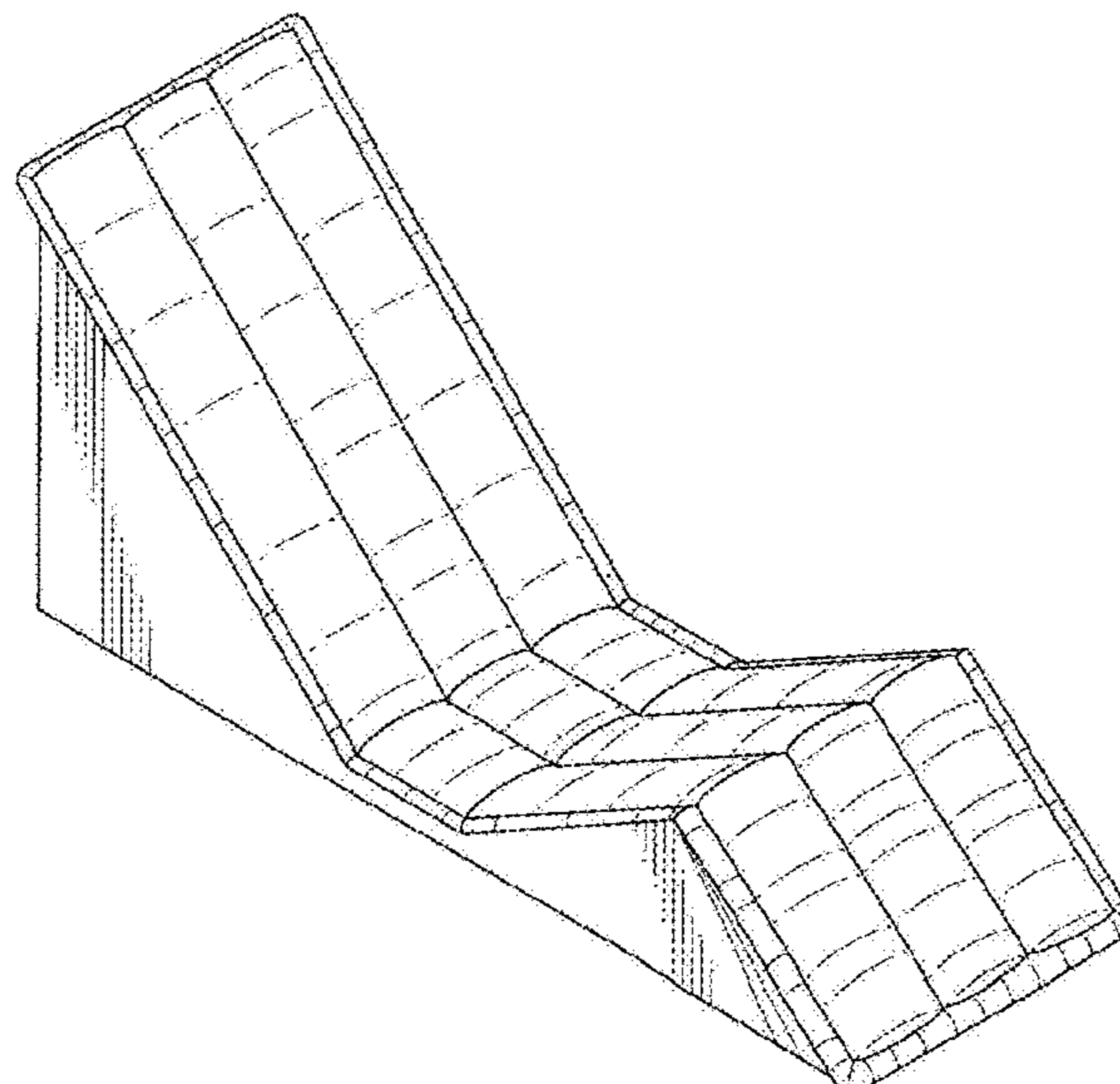
(57) **CLAIM**

The ornamental design for a full-body elevator, as shown and described.

**DESCRIPTION**

FIG. 1 is a top perspective view of the full-body elevator; FIG. 2 is a front view of the full-body elevator; FIG. 3 is a rear view of the full-body elevator; FIG. 4 is a right side view of the full-body elevator; FIG. 5 is a left side view of the full-body elevator; FIG. 6 is a top view of the full-body elevator; and, FIG. 7 is a bottom view of the full-body elevator.

**1 Claim, 7 Drawing Sheets**



(56)

**References Cited**

U.S. PATENT DOCUMENTS

8,181,295	B1 *	5/2012	Mallinger	.....	A47C 20/048	
						5/706
D663,426	S *	7/2012	Davis, III	.....	D24/183	
9,370,261	B1 *	6/2016	Strandberg	.....	A47D 15/001	
D800,852	S *	10/2017	Flook	.....	D21/671	
D809,825	S *	2/2018	Clores	.....	D6/601	
D821,780	S *	7/2018	Strandberg	.....	D6/596	
D824,695	S *	8/2018	Campilli	.....	D6/601	
D844,347	S *	4/2019	Bosstick	.....	D6/604	
D850,133	S *	6/2019	Voorhees, Jr.	.....	D6/361	
2006/0021146	A1 *	2/2006	Tokarz	.....	A47C 20/021	
						5/632
2012/0233783	A1	9/2012	Davis, III			

\* cited by examiner

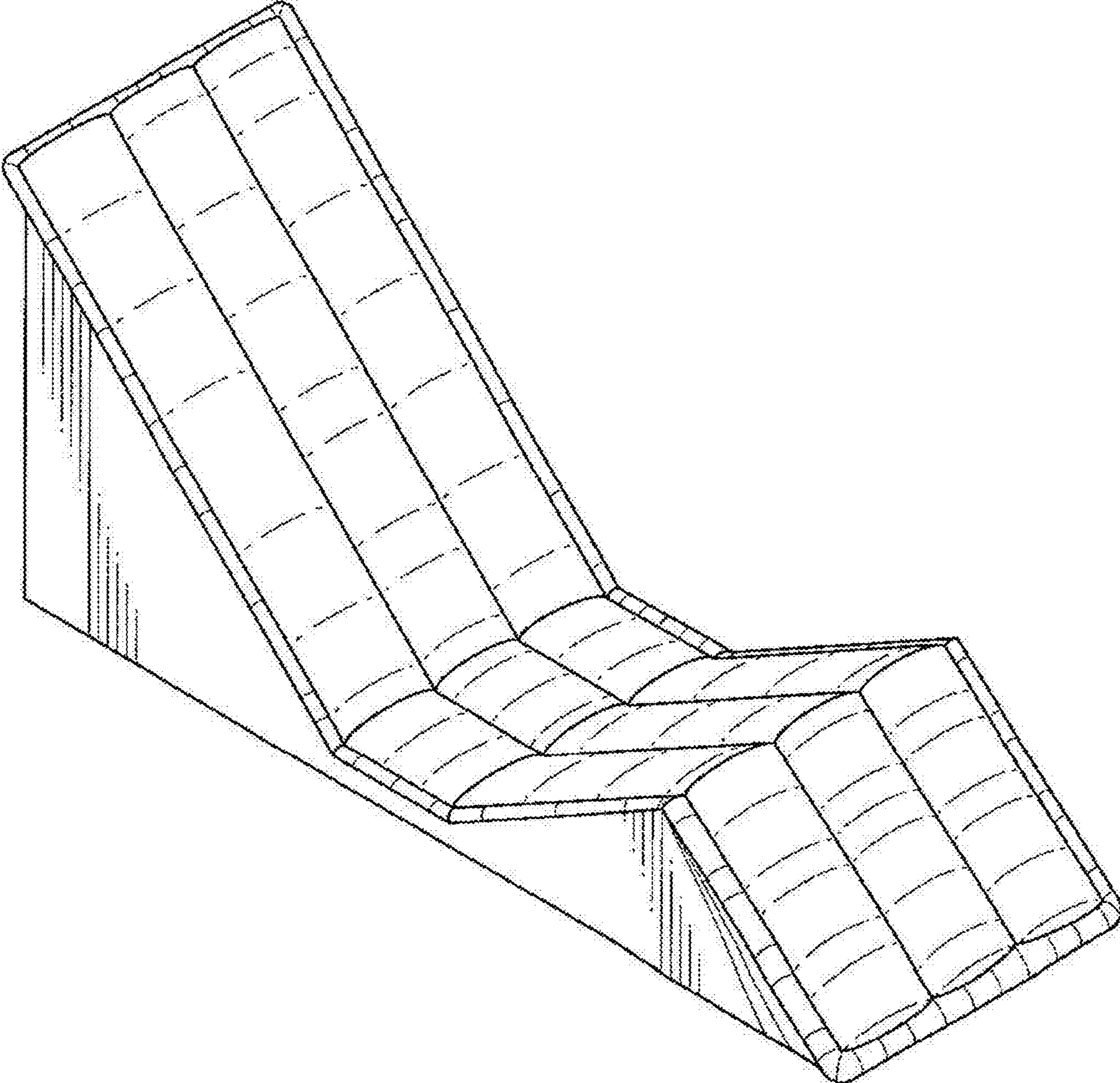


FIG. 1

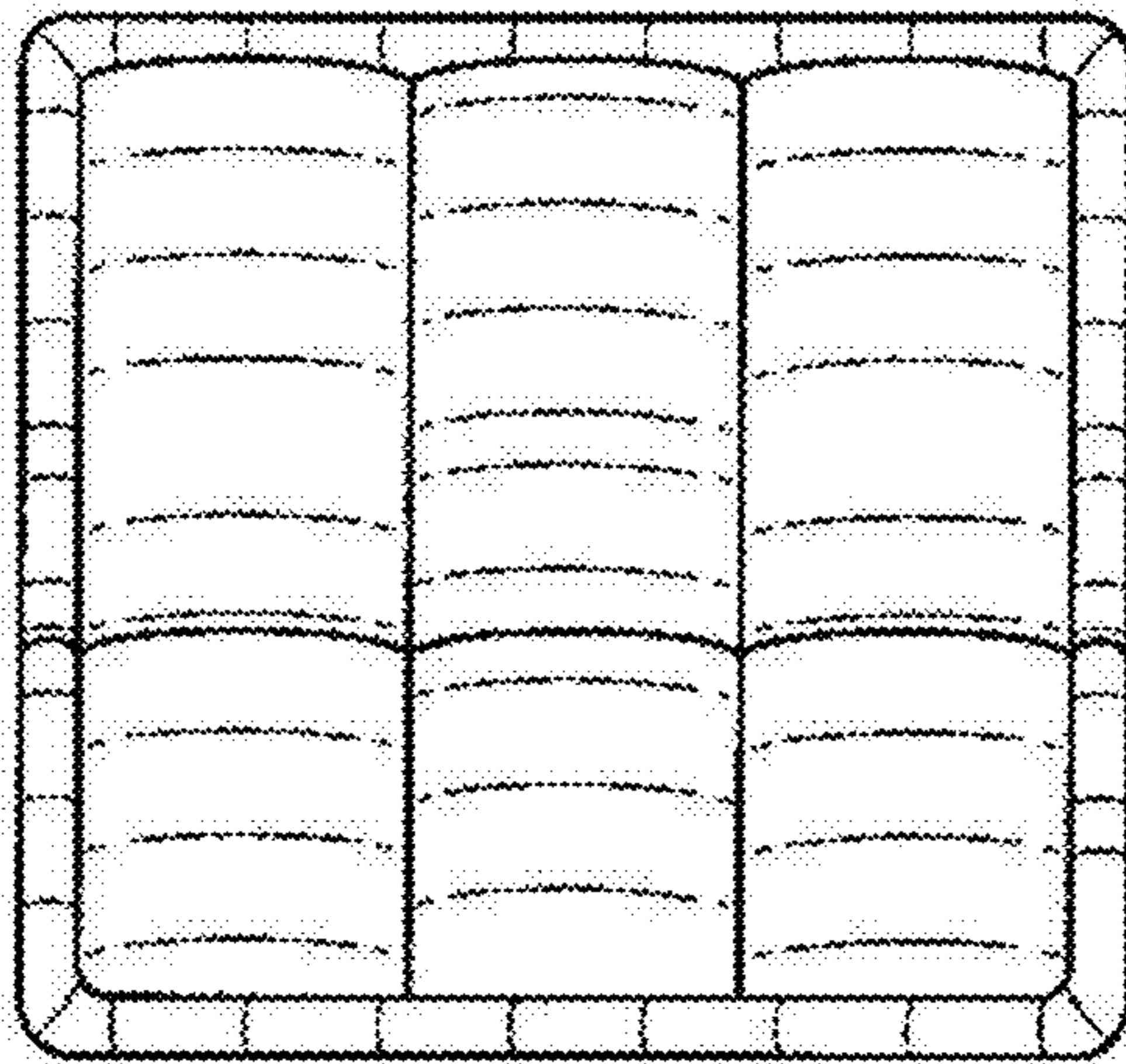


FIG. 2

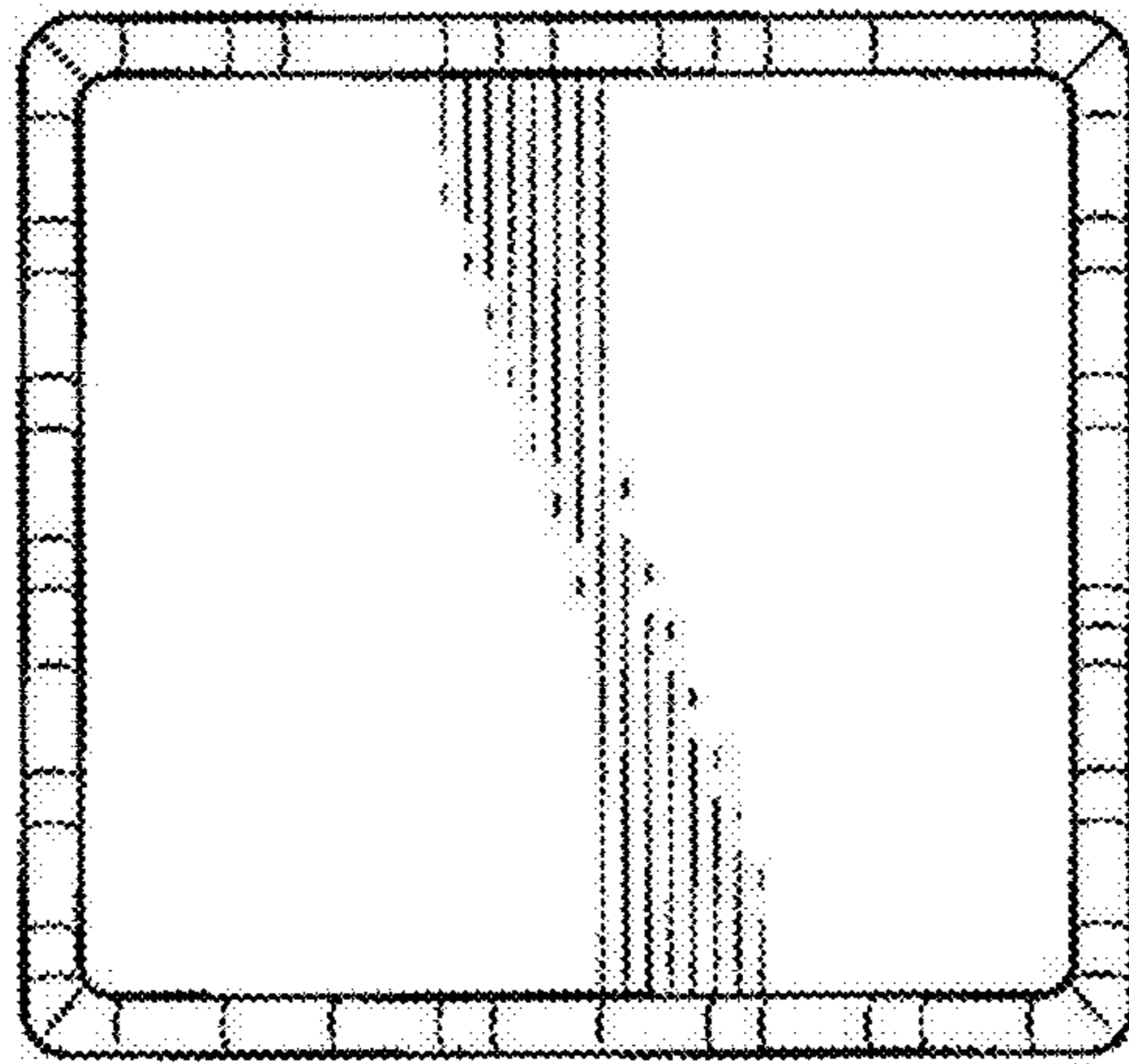


FIG. 3

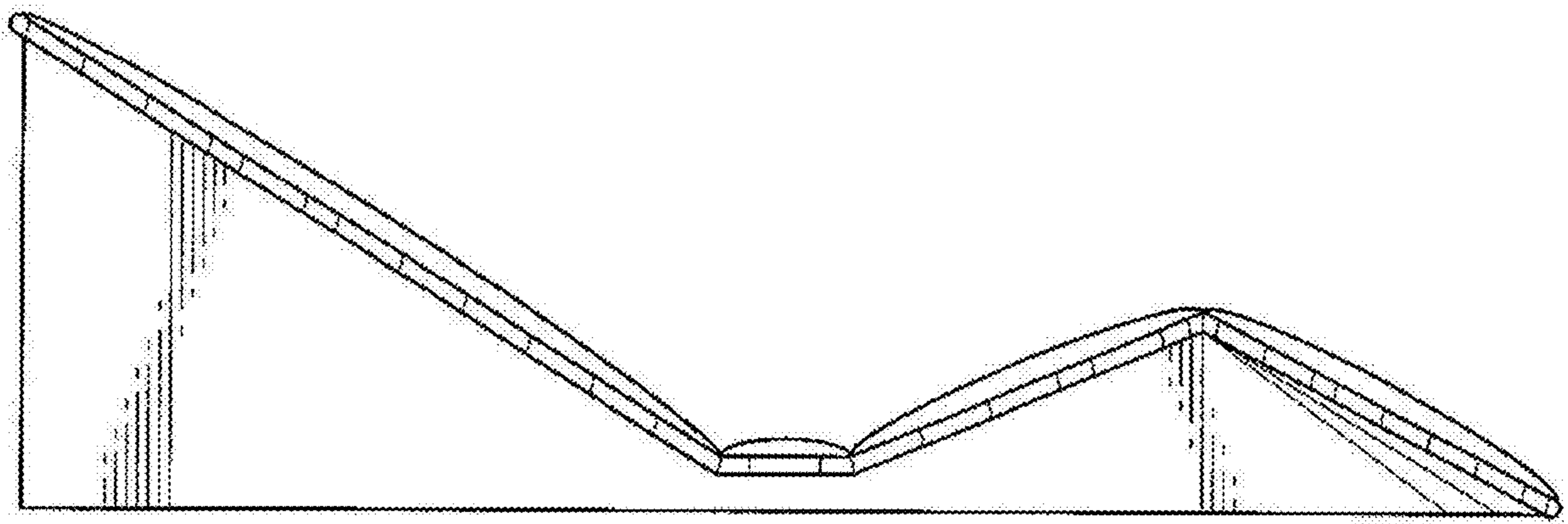


FIG. 4

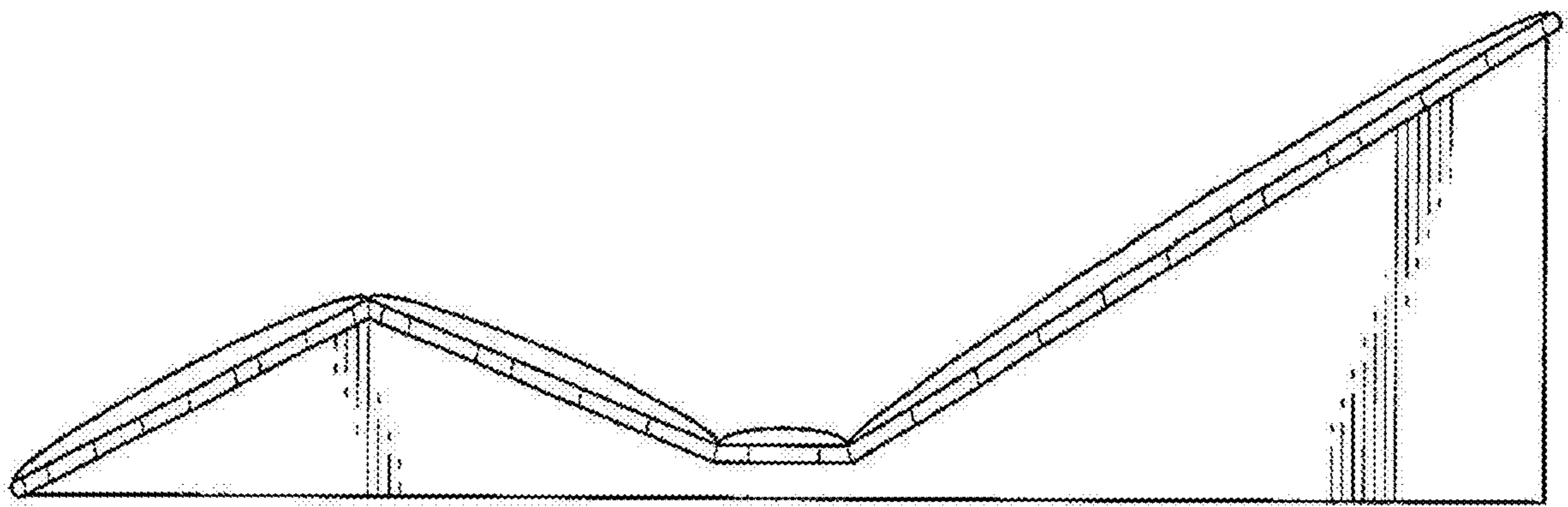


FIG. 5

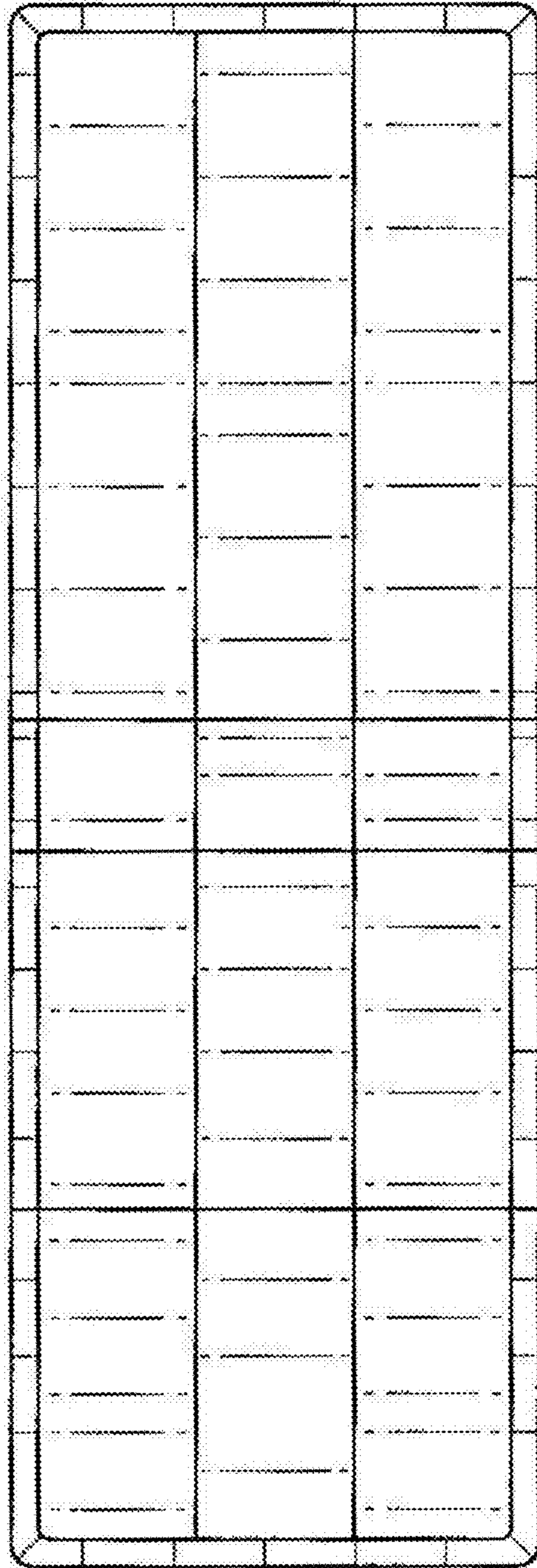


FIG. 6



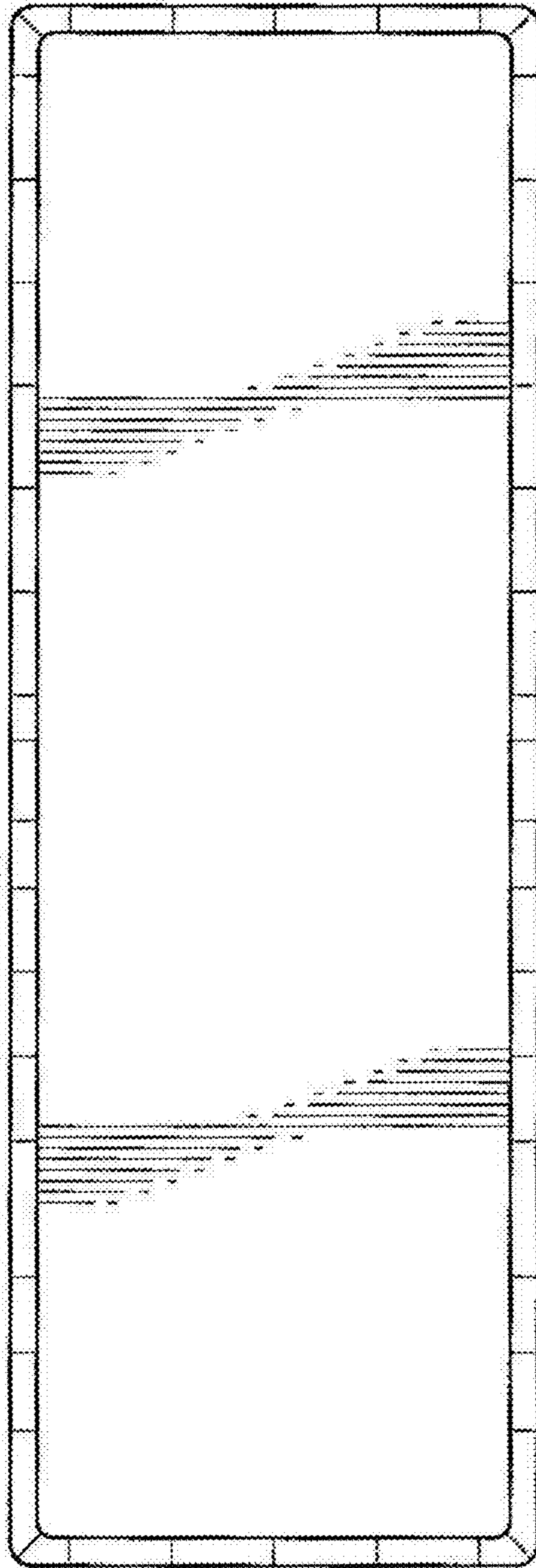


FIG. 7