



US00D875410S

(12) **United States Design Patent** (10) **Patent No.:** **US D875,410 S**
Borras Pons (45) **Date of Patent:** **** Feb. 18, 2020**

- (54) **SET OF SEATS WITH DESKTOPS** 6,224,149 B1 * 5/2001 Gevaert A47C 7/70
297/160
- (71) Applicant: **Figueras Seating Solutions, S.L.,** D447,642 S * 9/2001 Kimura D6/368
Barcelona (ES) 8,256,835 B2 * 9/2012 Brink A47C 1/121
297/162
- (72) Inventor: **Pablo Borras Pons,** Barcelona (ES) D672,980 S * 12/2012 Mitjans D6/364
D681,969 S * 5/2013 Mitjans D6/364
- (73) Assignee: **Figueras Seating Solutions, S.L.,** D808,676 S * 1/2018 Bellissimo D6/362
Barcelona (ES) D845,017 S * 4/2019 Zhou D6/368
D847,527 S * 5/2019 Borras Pons D6/368
2003/0102703 A1 * 6/2003 Tenenboym A47C 1/121
297/326
- (**) Term: **15 Years**

(Continued)

(21) Appl. No.: **29/655,816**

(22) Filed: **Jul. 7, 2018**

(30) **Foreign Application Priority Data**

Jan. 8, 2018 (ES) 004610012-002

(51) **LOC (12) Cl.** **06-01**

(52) **U.S. Cl.**
USPC **D6/341**

(58) **Field of Classification Search**
USPC D6/334-338, 340-343, 349-353, 355,
D6/365, 368, 691-691.9, 692-692.6,
D6/716-716.1, 717; D25/65
CPC .. A47B 7/00-7/02; A47C 11/00; A47C 12/00;
A47C 13/00; A47C 16/00; A47C
16/02-04; A47C 9/00-105; A47K 17/02;
A47K 17/028

See application file for complete search history.

(56) **References Cited**

U.S. PATENT DOCUMENTS

- D177,296 S * 3/1956 Wright D6/341
- D252,482 S * 7/1979 Blodee D6/365
- D347,947 S * 6/1994 Donnelly D6/368
- 5,683,136 A * 11/1997 Baumann A47C 7/70
297/160
- D417,342 S * 12/1999 Holbrook D6/341
- D426,967 S * 6/2000 King D6/368
- D440,422 S * 4/2001 DeJule D6/371

OTHER PUBLICATIONS

Venu 510 Living Edge. [online] Retrieved Jul. 5, 2019 from URL:
https://livingedge.com.au/products/venu-510-in-london.*

(Continued)

Primary Examiner — Vy N Koenig
(74) *Attorney, Agent, or Firm* — Coats & Bennett PLLC

(57) **CLAIM**

The ornamental design for a set of seats with desktops, as shown and described.

DESCRIPTION

FIG. 1 is a front perspective of a set of seats with desktops showing my new design, with the desktops shown in a lowered position.

FIG. 2 is a rear perspective view thereof.

FIG. 3 is a top plan view thereof.

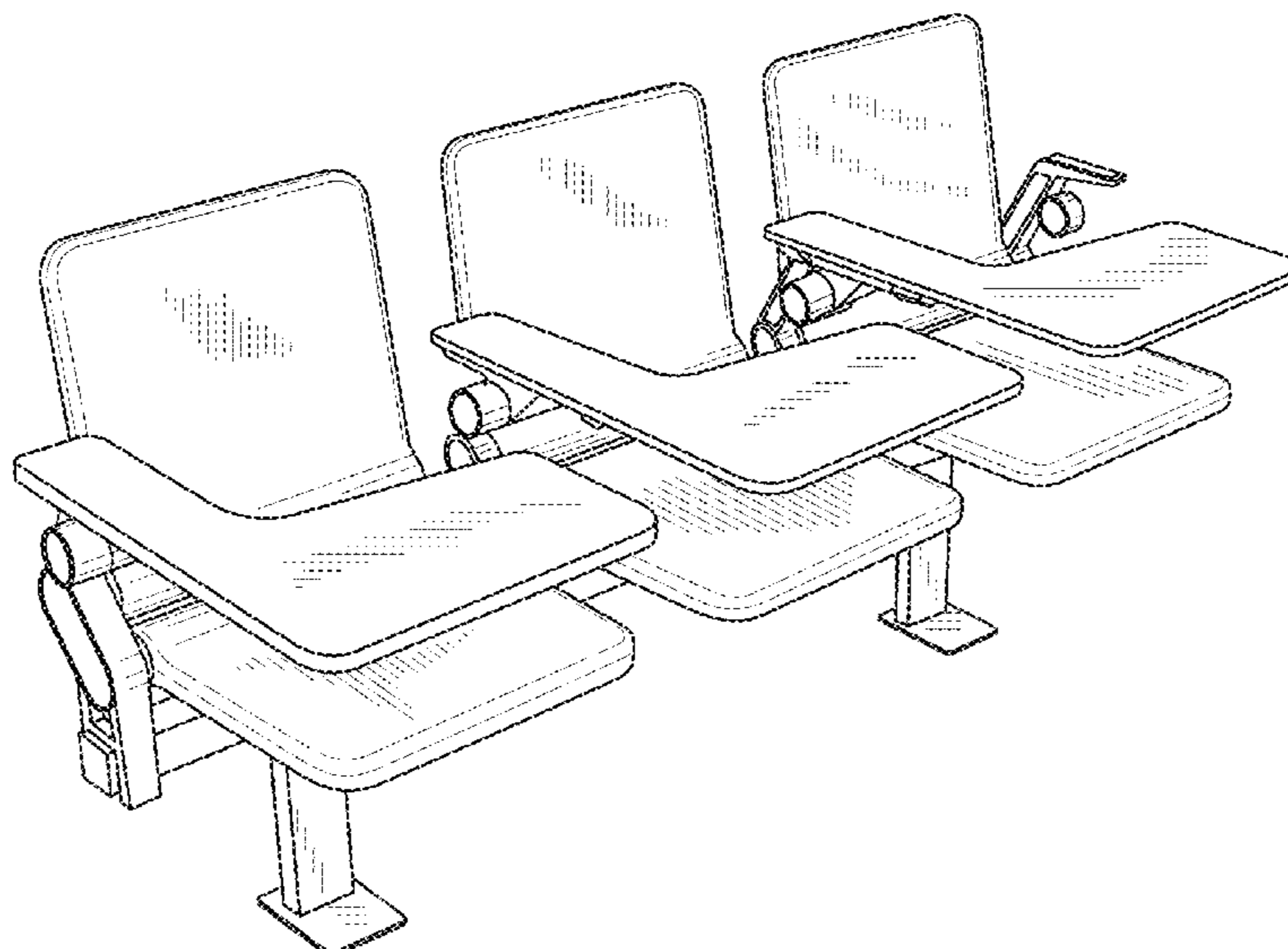
FIG. 4 is a front elevational view thereof.

FIG. 5 is a side elevational view thereof, with the opposite side being a mirror image thereof.

FIG. 6 is another rear perspective view thereof; and,

FIG. 7 is a front perspective view thereof, showing an alternate configuration of use in which the desktops are shown in a raised position.

1 Claim, 6 Drawing Sheets



(56)

References Cited

U.S. PATENT DOCUMENTS

2007/0063568 A1* 3/2007 Figueras Mitjans A47C 4/04
297/411.2
2007/0284920 A1* 12/2007 Mehaffey A47C 3/045
297/162
2009/0026812 A1* 1/2009 Figueras Mitjans A47C 7/70
297/162
2014/0225404 A1* 8/2014 Ramirez Magana A47C 1/12
297/248

OTHER PUBLICATIONS

Sequence HD Fixed Seating Products KI. [online] Published Apr. 6, 2015. Retrieved Jul. 9, 2019 from URL: <https://www.ki.com/products/name/sequence-hd-fixed-seating/>.*

* cited by examiner

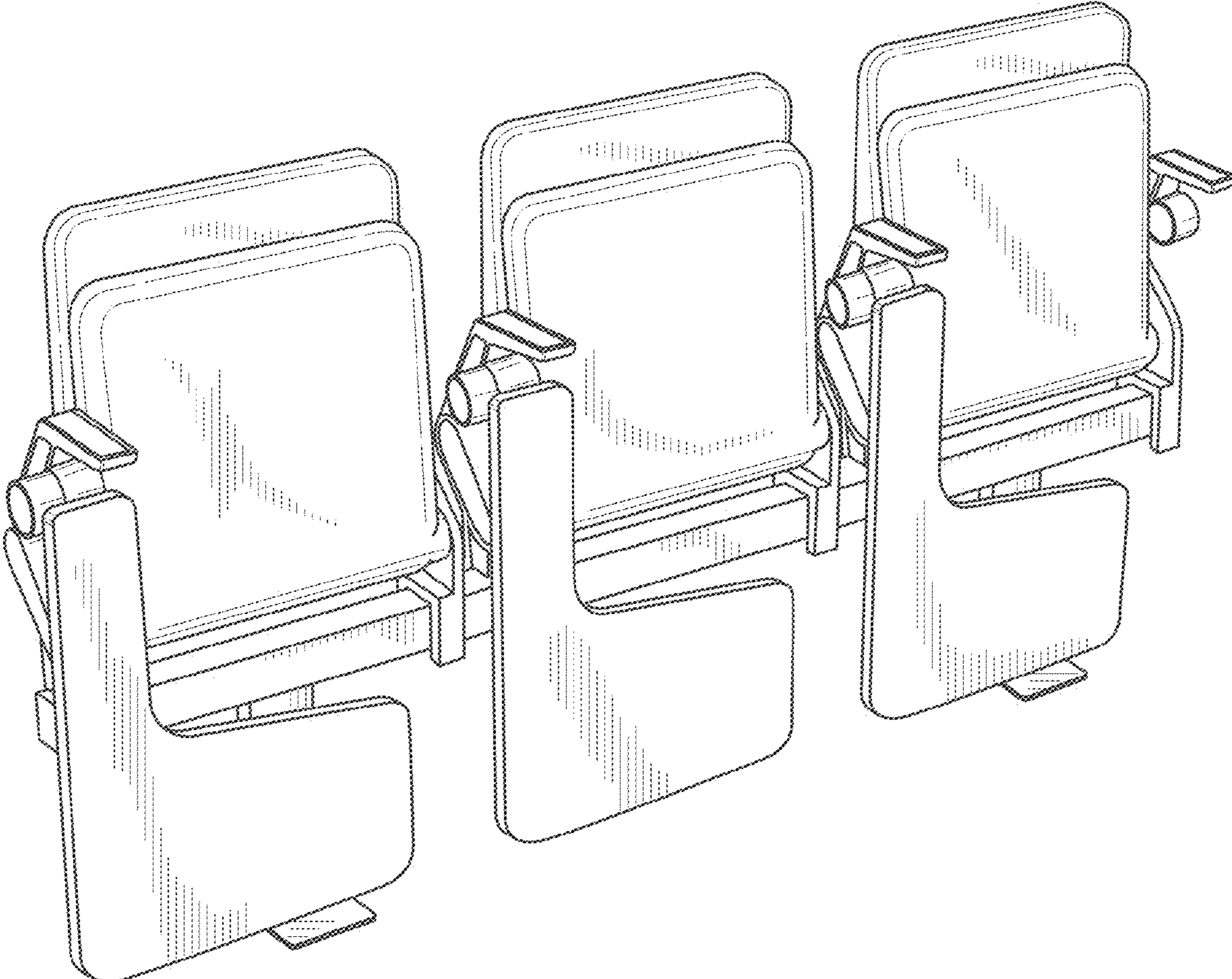


FIG. 1

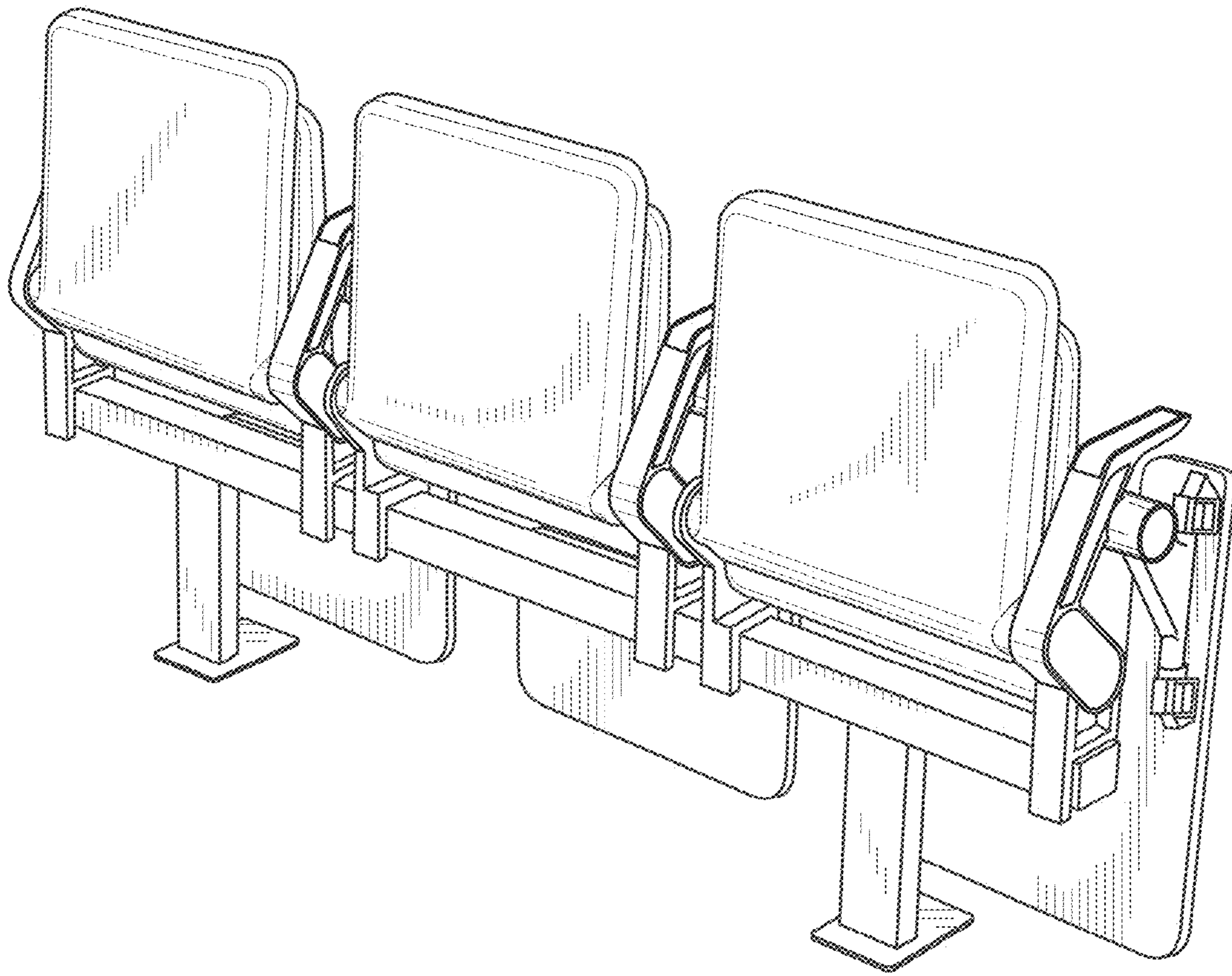


FIG. 2

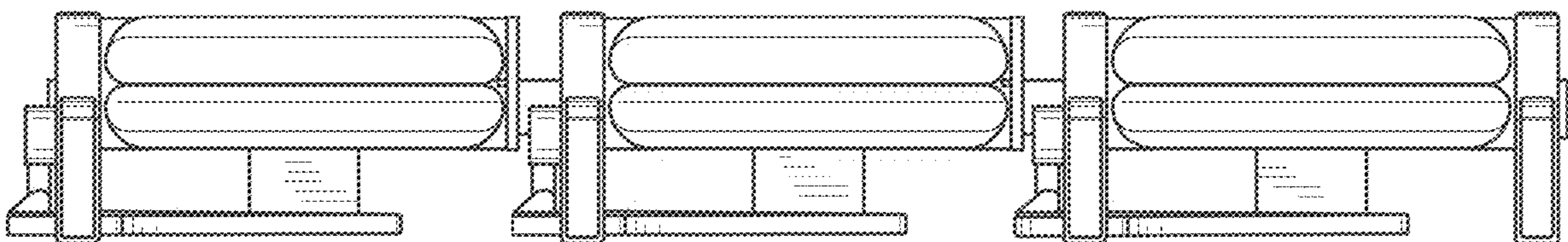


FIG. 3

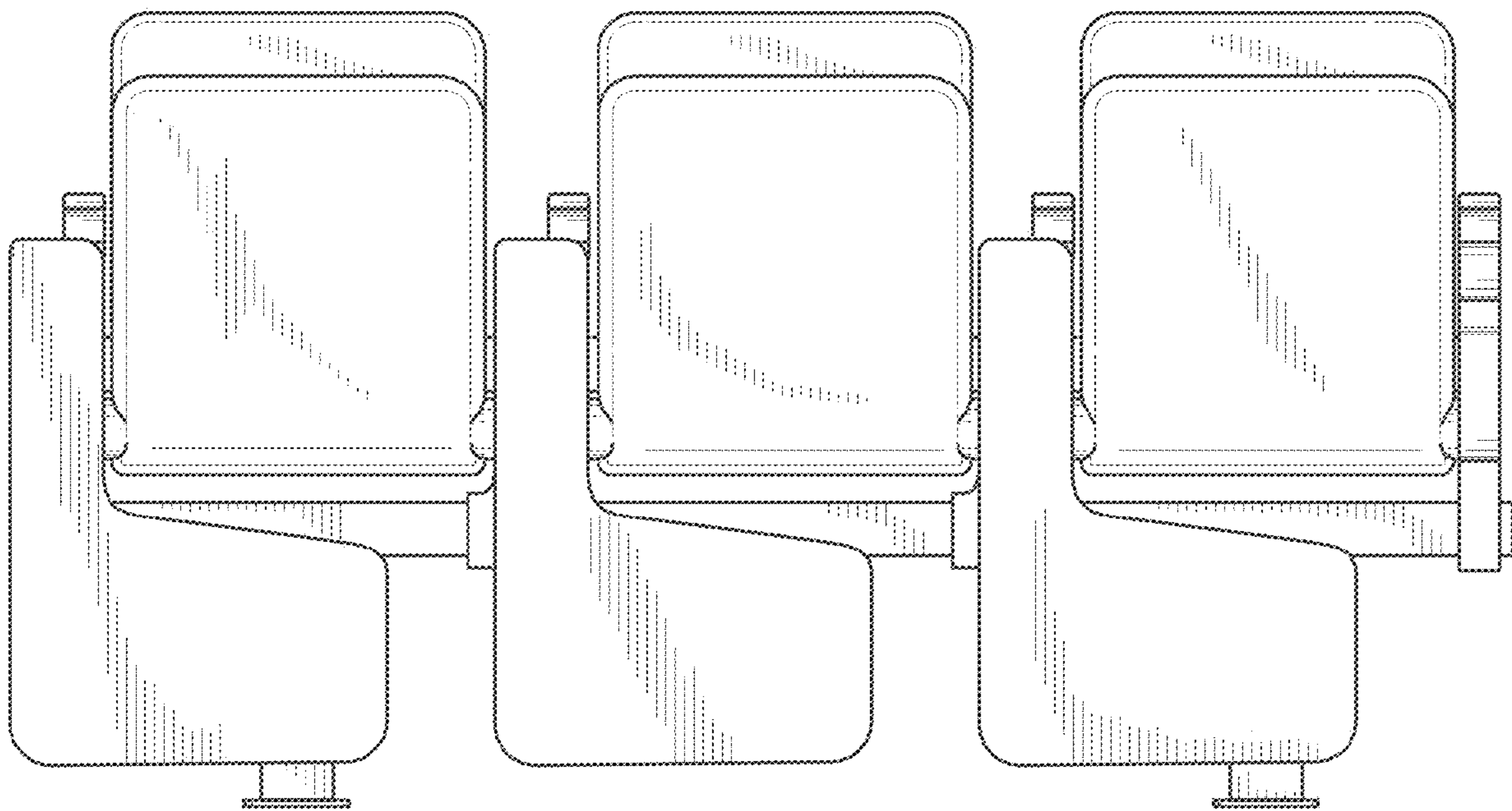


FIG. 4

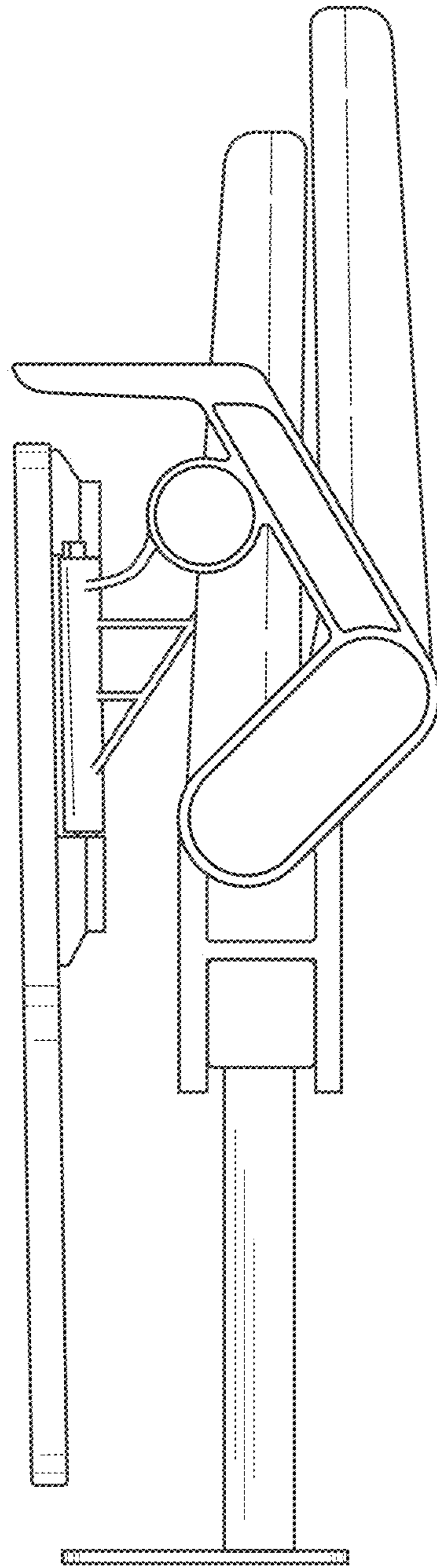


FIG. 5

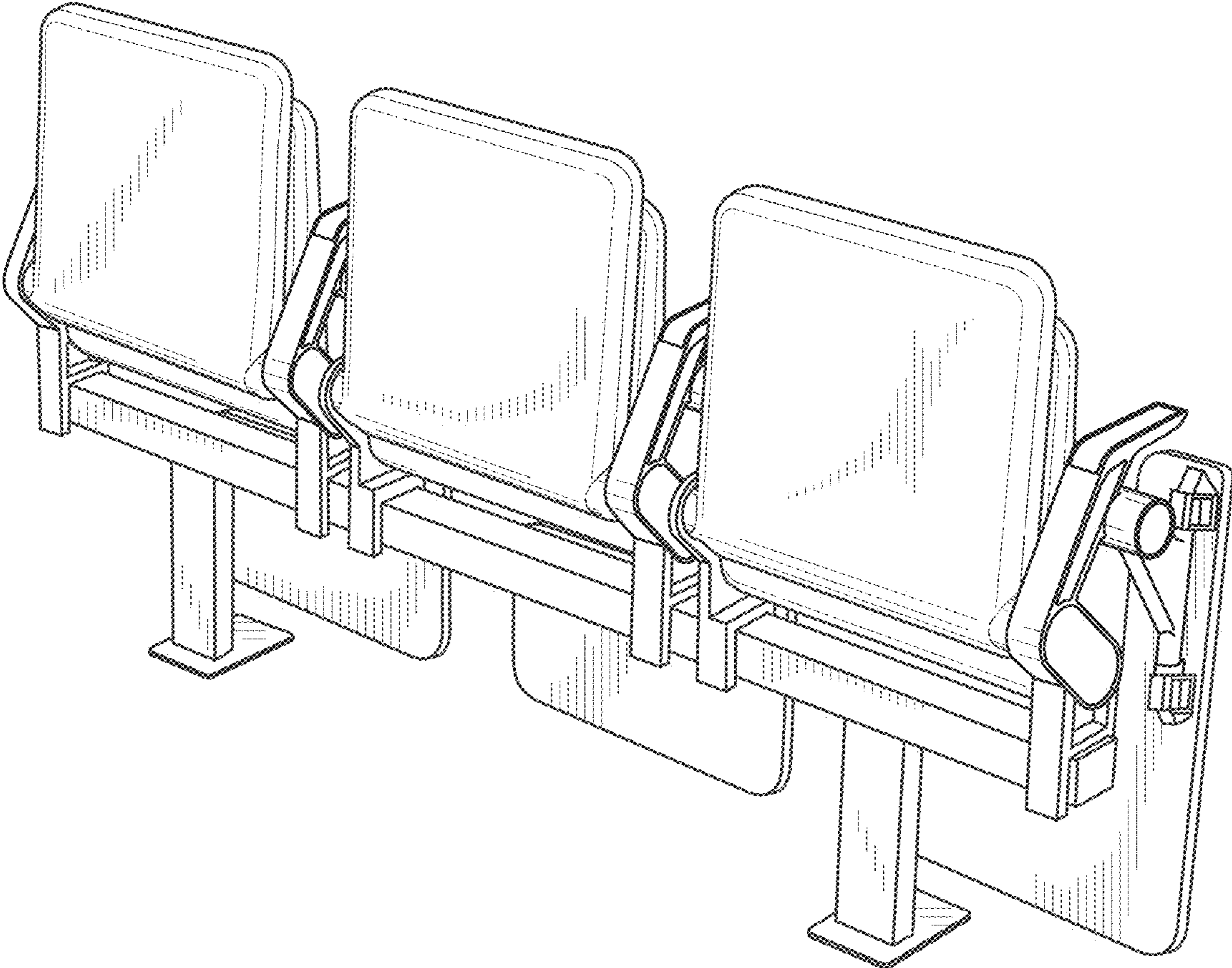


FIG. 6

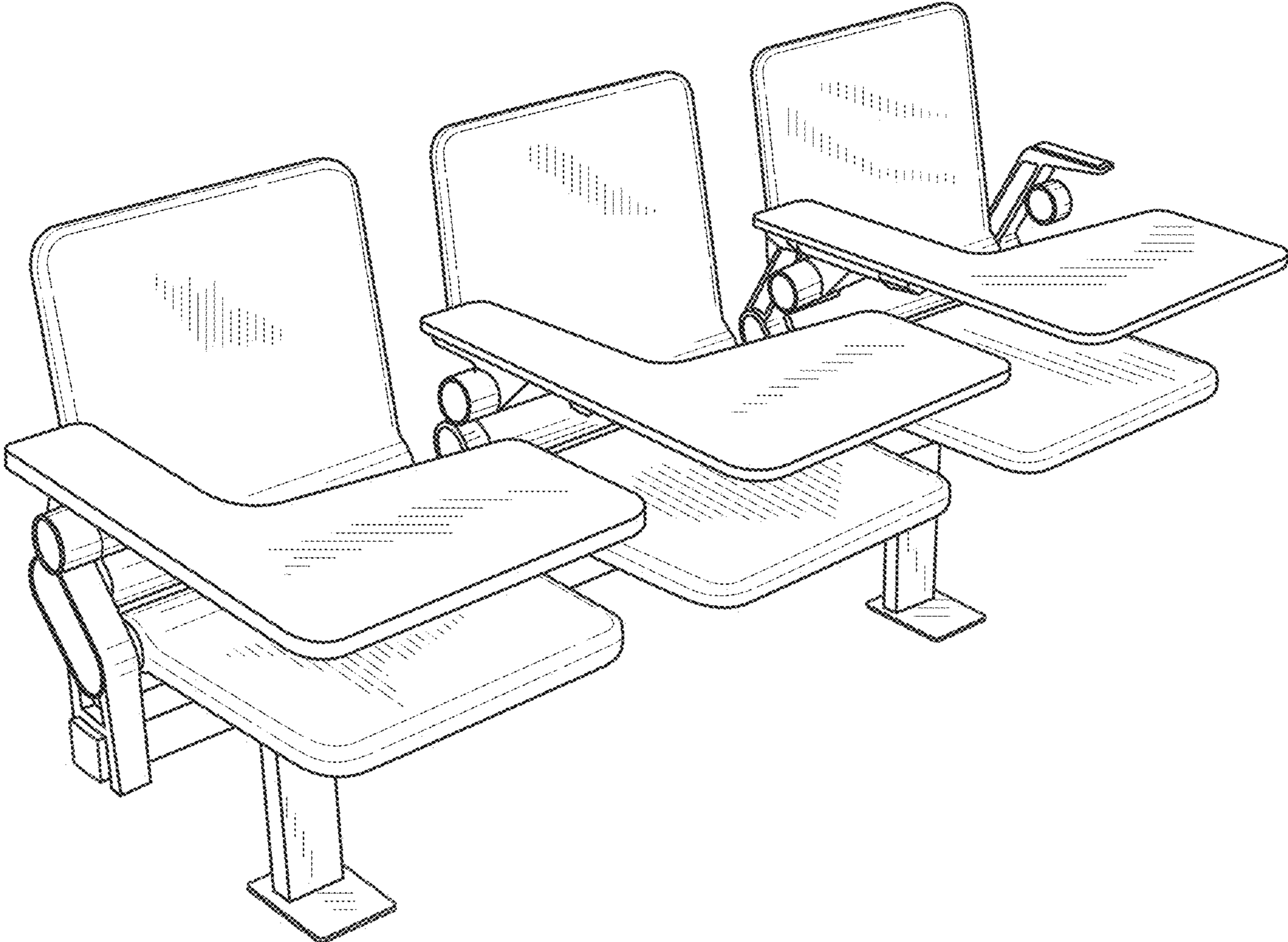


FIG. 7