

US00D875409S

(12) **United States Design Patent**  
**Roebuck**

(10) **Patent No.:** **US D875,409 S**  
(45) **Date of Patent:** **\*\* Feb. 18, 2020**

- (54) **HANGER ADAPTER**
- (71) Applicant: **Ellen Roebuck**, Los Angeles, CA (US)
- (72) Inventor: **Ellen Roebuck**, Los Angeles, CA (US)
- (\*\*) Term: **15 Years**
- (21) Appl. No.: **29/707,628**
- (22) Filed: **Sep. 30, 2019**

**Related U.S. Application Data**

- (60) Division of application No. 29/670,531, filed on Nov. 16, 2018, which is a continuation-in-part of application No. 29/640,904, filed on Mar. 19, 2018, now Pat. No. Des. 856,009.
- (51) **LOC (12) Cl.** ..... **06-08**
- (52) **U.S. Cl.**  
USPC ..... **D6/328**
- (58) **Field of Classification Search**  
USPC ..... D6/315–328  
CPC ..... A47G 25/26; A47G 25/30; A47G 25/20;  
A47G 25/183; A47G 25/186  
See application file for complete search history.

(56) **References Cited**

**U.S. PATENT DOCUMENTS**

- 2,089,077 A \* 8/1937 Todd ..... A47G 25/26  
223/88
- 2,374,330 A \* 4/1945 Coney ..... A47G 25/26  
223/88
- 2,550,167 A \* 4/1951 Simmons ..... A47G 25/26  
223/88
- 2,665,829 A \* 1/1954 Tillery ..... A47G 25/26  
223/98
- 2,687,243 A \* 8/1954 Rasmussen ..... A47G 25/26  
223/98
- 2,739,745 A \* 3/1956 Tufts ..... A47G 25/26  
223/98

- 2,819,829 A \* 1/1958 Gensmer ..... A47G 25/26  
223/98
- 2,859,903 A \* 11/1958 Tufts ..... A47G 25/26  
223/98
- 3,071,298 A \* 1/1963 Tufts ..... A47G 25/30  
223/98

(Continued)

*Primary Examiner* — Lauren R Calve  
(74) *Attorney, Agent, or Firm* — Dunlap Bennett & Ludwig PLLC

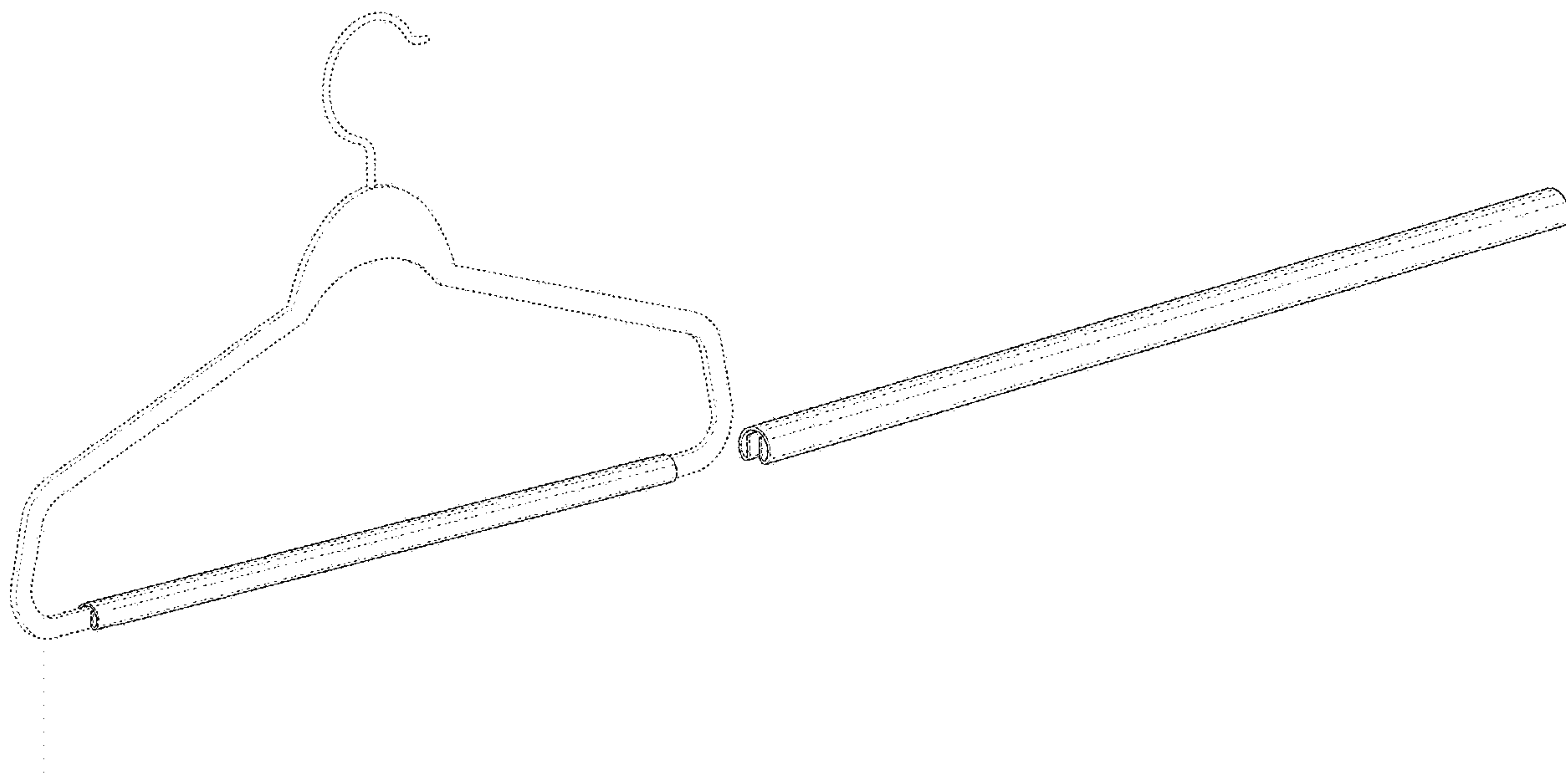
(57) **CLAIM**

The ornamental design for a hanger adapter, as shown and described.

**DESCRIPTION**

FIG. 1 is a front perspective view of a first embodiment of a hanger adapter shown in environmental use;  
 FIG. 2 is a front perspective view of the hanger adapter of FIG. 1;  
 FIG. 3 is a front elevation view thereof, the rear elevation view being an identical image thereof;  
 FIG. 4 is a left side elevation view thereof, the right side elevation view being an identical image thereof;  
 FIG. 5 is a top plan view thereof;  
 FIG. 6 is a bottom plan thereof;  
 FIG. 7 is a front perspective view of a second embodiment of a hanger adapter shown in environmental use;  
 FIG. 8 is a front perspective view of the hanger adapter of FIG. 7;  
 FIG. 9 is a front elevation view thereof, the rear elevation view being an identical image thereof;  
 FIG. 10 is a left side elevation view thereof, the right side elevation view being an identical image thereof;  
 FIG. 11 is a top plan view thereof; and,  
 FIG. 12 is a bottom plan thereof.  
 The broken lines shown in the drawings depict a clothes hanger that forms no part of the claimed invention.

**1 Claim, 6 Drawing Sheets**



(56)

**References Cited**

U.S. PATENT DOCUMENTS

3,157,324 A \* 11/1964 Barnes ..... A47G 25/26  
223/88  
3,189,236 A \* 6/1965 Tillery ..... A47G 25/26  
223/98  
D459,900 S \* 7/2002 Gustafson ..... D6/328  
D505,020 S \* 5/2005 Fischer ..... D6/328  
D515,828 S \* 2/2006 Fischer ..... D6/328  
D524,558 S \* 7/2006 Fischer ..... D6/328  
D536,182 S \* 2/2007 Fischer ..... D6/328  
D640,876 S \* 7/2011 Cohen ..... D6/319  
D650,595 S \* 12/2011 Ruminson ..... D6/328  
RE45,533 E \* 6/2015 Cohen ..... D6/319  
D737,581 S \* 9/2015 Li ..... D6/319  
D856,009 S \* 8/2019 Roebuck ..... D6/328  
2008/0272158 A1 \* 11/2008 Lee ..... A47G 25/20  
223/98

\* cited by examiner

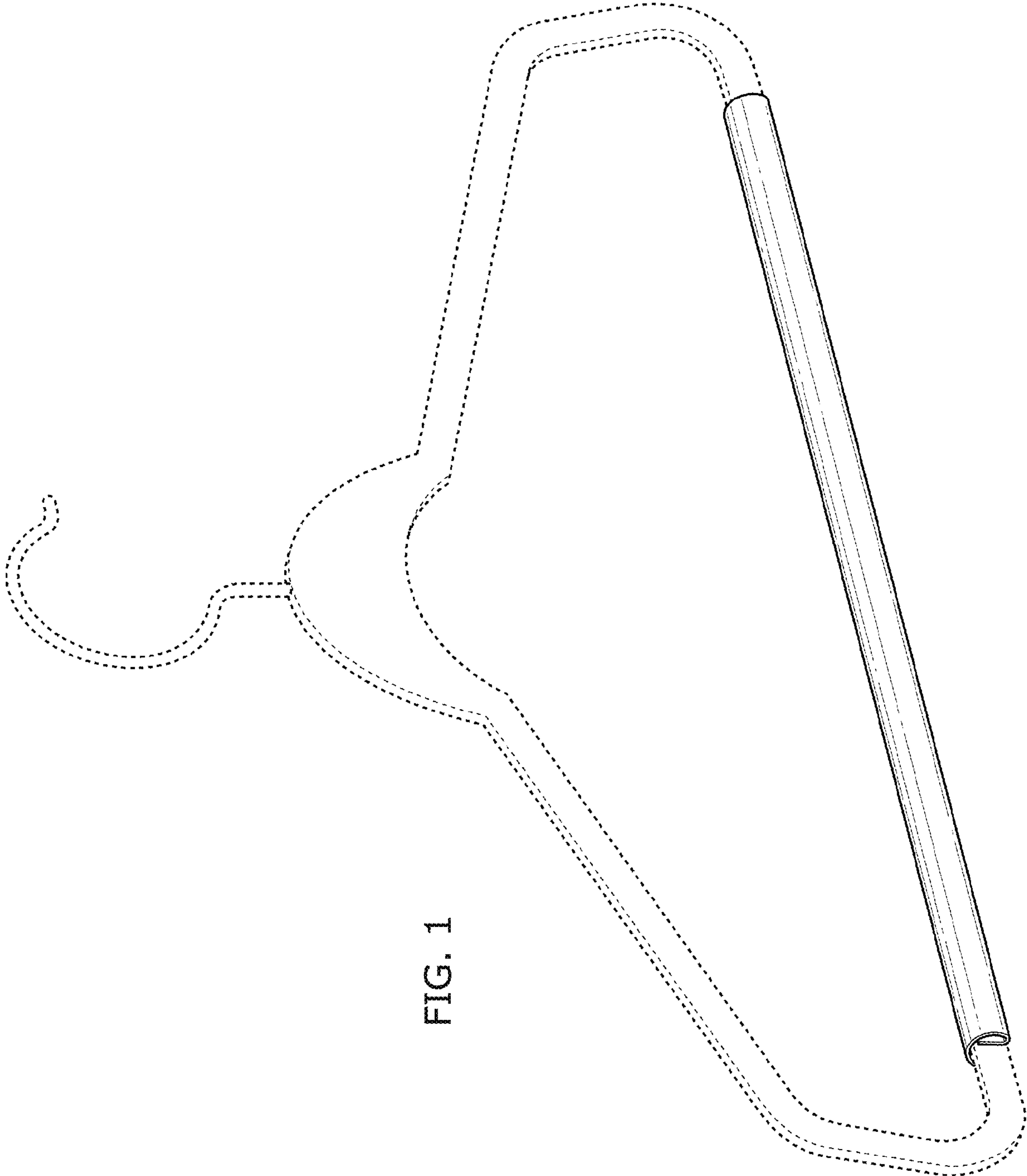


FIG. 1

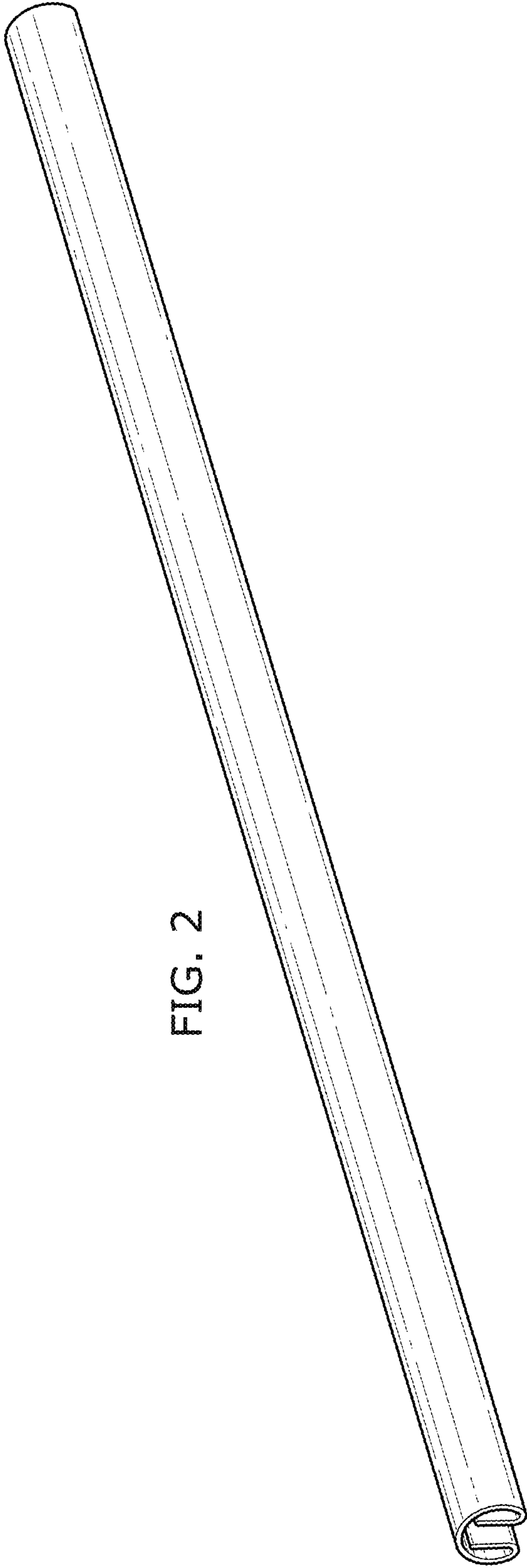


FIG. 2

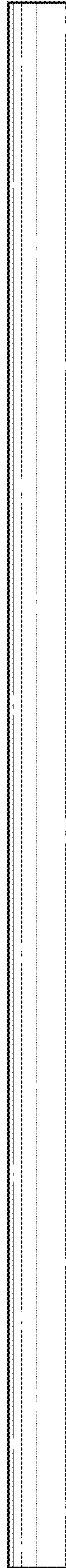


FIG. 3

FIG. 4

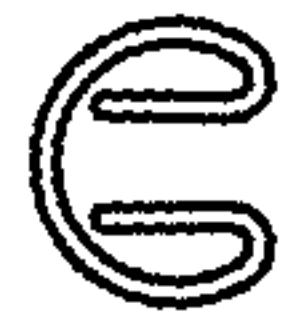


FIG. 5

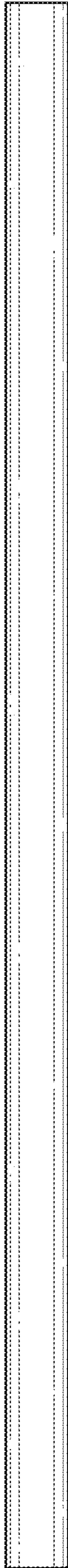
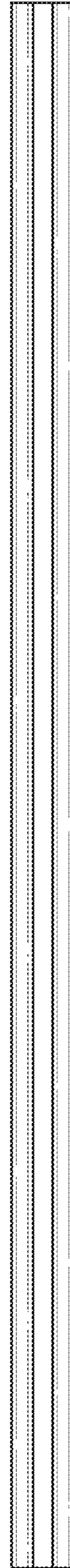


FIG. 6





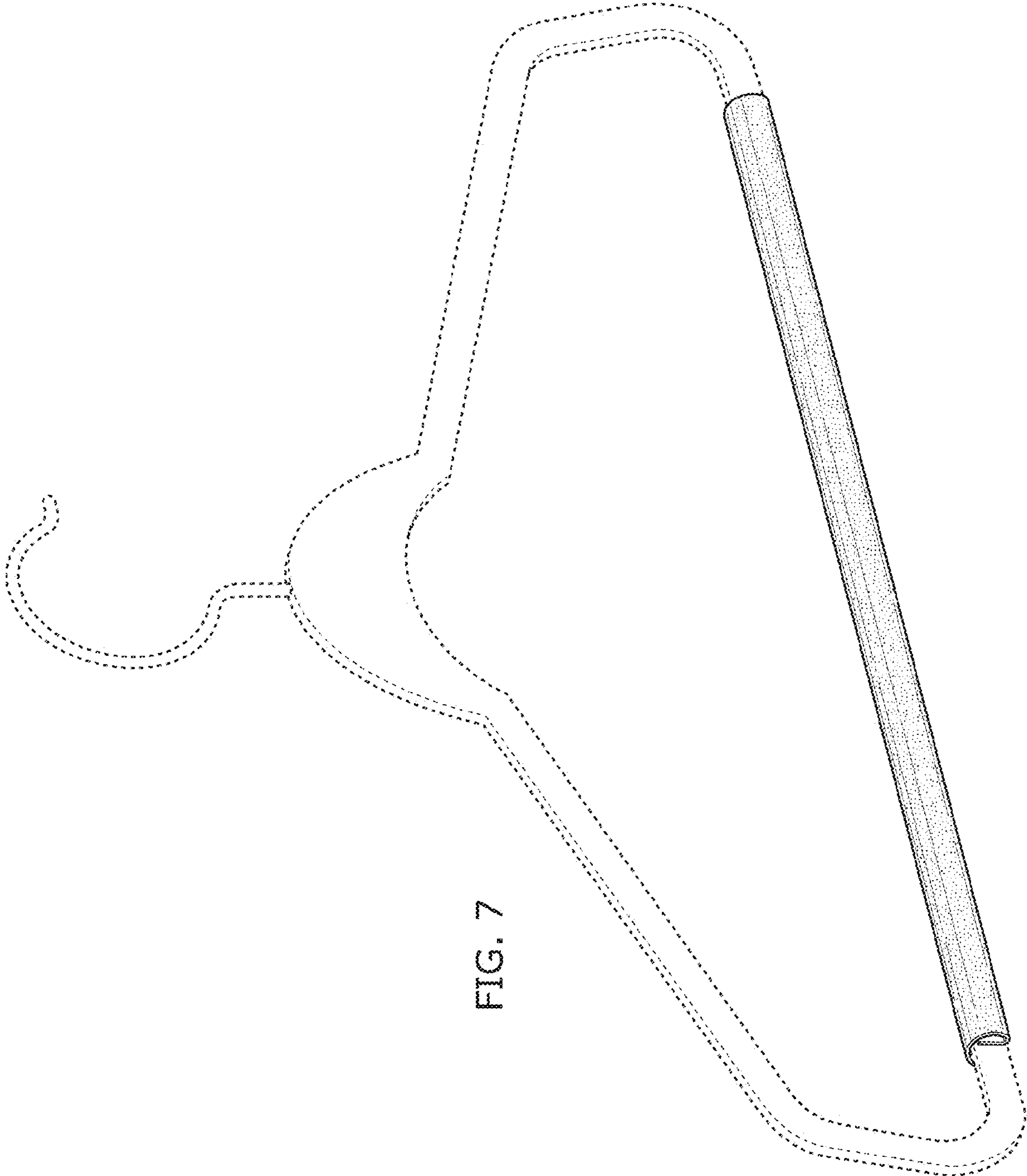


FIG. 7

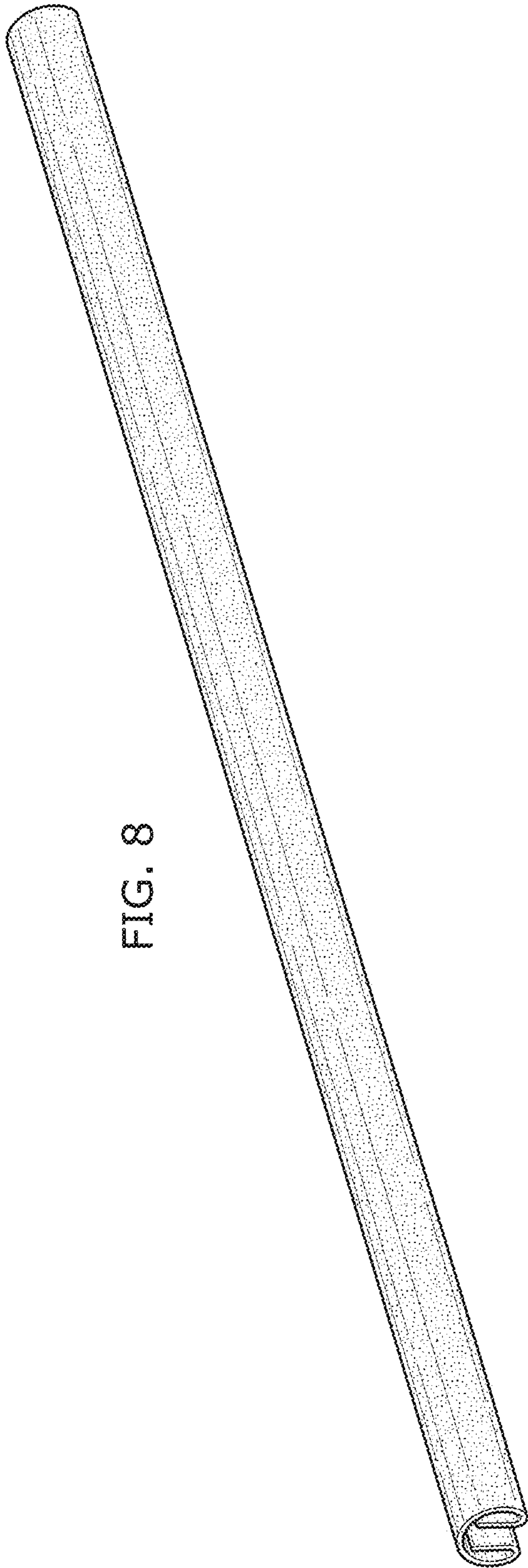


FIG. 8

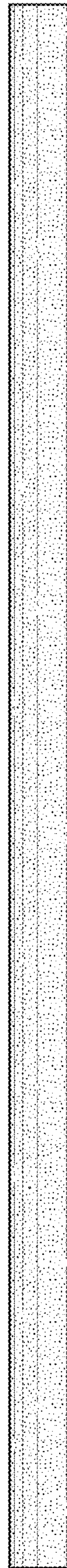


FIG. 9

FIG. 10



FIG. 11

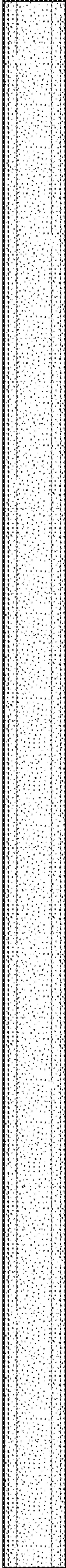


FIG. 12

