



US00D875406S

(12) **United States Design Patent** (10) **Patent No.:** **US D875,406 S**  
**Dixon** (45) **Date of Patent:** **\*\* Feb. 18, 2020**

(54) **MAKEUP BRUSH**  
(71) Applicant: **Adiya Dixon**, Powell, OH (US)  
(72) Inventor: **Adiya Dixon**, Powell, OH (US)  
(\*\*) Term: **15 Years**  
(21) Appl. No.: **29/637,038**

D791,490 S \* 7/2017 Johnson ..... D4/135  
D827,147 S \* 8/2018 Jacobs ..... D24/214  
D834,333 S \* 11/2018 Krus ..... D4/199  
(Continued)

(22) Filed: **Feb. 13, 2018**  
(51) **LOC (12) Cl.** ..... **04-02**  
(52) **U.S. Cl.**  
USPC ..... **D4/129**  
(58) **Field of Classification Search**  
USPC ..... D4/130, 132, 133, 134, 135, 138, 199,  
D4/137; D28/7  
CPC ... A46B 5/02; A46B 9/021; A46B 2200/1046;  
A46B 9/005  
See application file for complete search history.

FOREIGN PATENT DOCUMENTS

CN 304060219 \* 2/2017  
WO 0174196 A2 10/2001

OTHER PUBLICATIONS

“Yubi Beauty Brush,” shown in article, “We are Time Magazine’s Beauty Invention of the Year! Reflections . . .” [on-line]. Published Nov. 18, 2018. Retrieved from the Internet Sep. 25, 2019. URL: <https://loveyubi.com/blogs/yubi-the-blog/we-are-time-magazines-beauty-invention-of-the-year-reflections> (Year: 2018).\*

*Primary Examiner* — Karen E Eldridge Powers  
(74) *Attorney, Agent, or Firm* — Vorys, Sater, Seymour and Pease LLP; Rex W. Miller, II

(56) **References Cited**

U.S. PATENT DOCUMENTS

D33,863 S \* 1/1901 Hodge ..... D4/199  
2,707,300 A \* 5/1955 Angelillo ..... A46B 15/00  
15/248.1  
D190,318 S \* 5/1961 Vallis ..... D4/129  
3,505,700 A 4/1970 Rodriguez  
D269,481 S \* 6/1983 Souza ..... D4/114  
D363,378 S \* 10/1995 Fredricks ..... D28/63  
D422,414 S \* 4/2000 Harada ..... D4/111  
6,289,546 B1 \* 9/2001 Harada ..... A46B 5/02  
15/143.1  
7,234,192 B2 \* 6/2007 Barbar ..... A46B 5/04  
15/167.1  
D547,953 S \* 8/2007 Germany ..... D4/129  
D562,005 S \* 2/2008 King ..... D4/129  
D632,087 S \* 2/2011 Wang ..... D30/158  
8,042,216 B2 10/2011 Jochim et al.  
D663,494 S \* 7/2012 Milliff ..... D30/199  
8,230,543 B2 7/2012 Shrier et al.  
D752,348 S \* 3/2016 Donald ..... D4/116

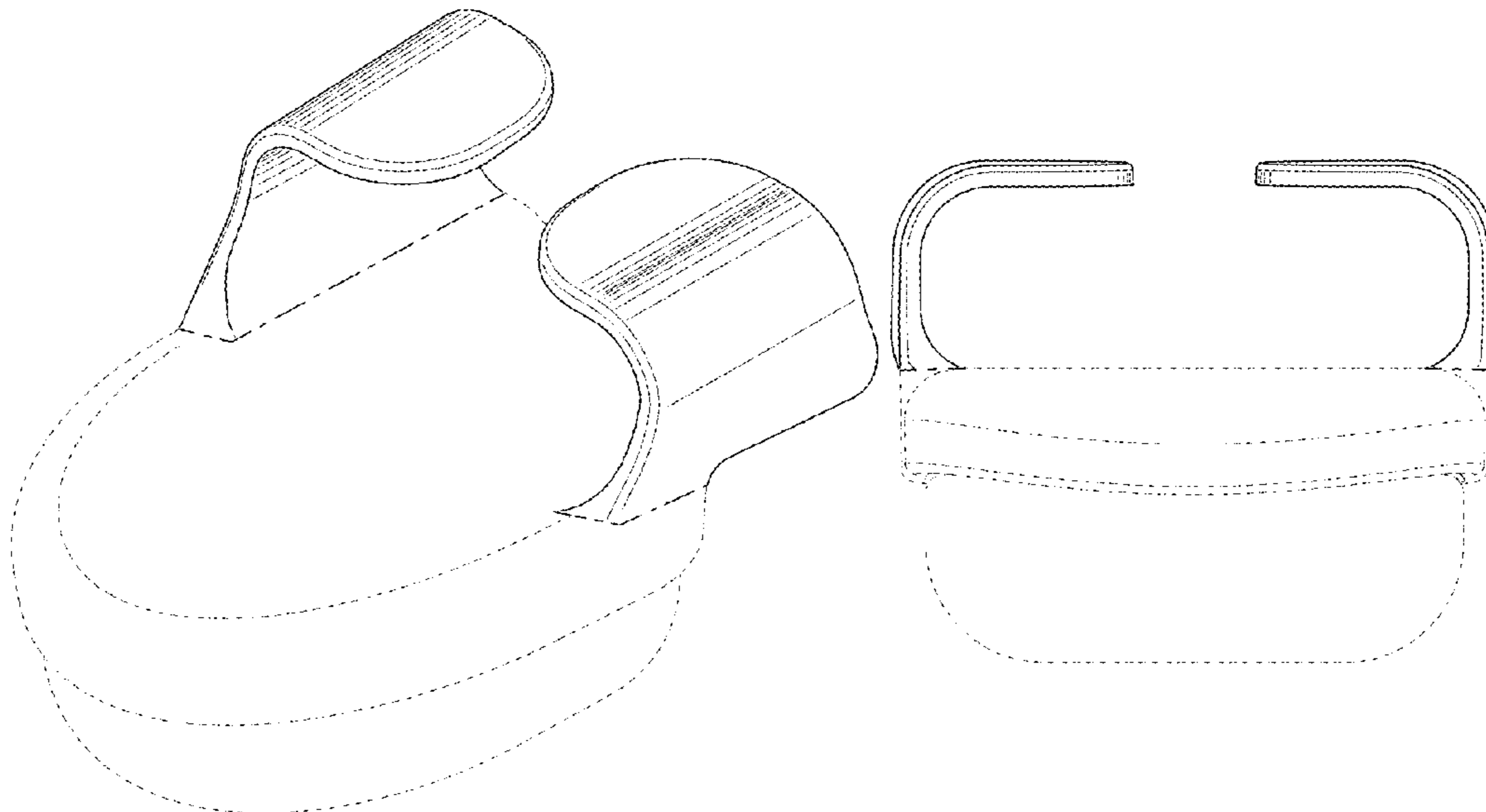
(57) **CLAIM**

The ornamental design for a makeup brush, as shown and described.

**DESCRIPTION**

FIG. 1 is a top, front and left side perspective view thereof; FIG. 2 is a bottom, back and right side perspective view thereof; FIG. 3 is a front elevation view thereof; FIG. 4 is a back elevation view thereof; FIG. 5 is a left side elevation view thereof; FIG. 6 is a right side elevation view thereof; FIG. 7 is a top plan view thereof; and, FIG. 8 is a bottom plan view thereof. The features shown in broken lines are environment and form no part of the claimed design. The dot-dash lines define the bounds of the claimed design and form no part thereof.

**1 Claim, 4 Drawing Sheets**



(56)

**References Cited**

U.S. PATENT DOCUMENTS

D850,799 S \* 6/2019 Johnson ..... D4/129  
2002/0161324 A1 10/2002 Henley et al.  
2004/0181891 A1 9/2004 Sarkar et al.  
2009/0044825 A1 2/2009 Lawrence et al.  
2018/0368363 A1\* 12/2018 Johnson ..... A01K 13/001  
2019/0000214 A1\* 1/2019 Soriente ..... A46B 5/00

\* cited by examiner

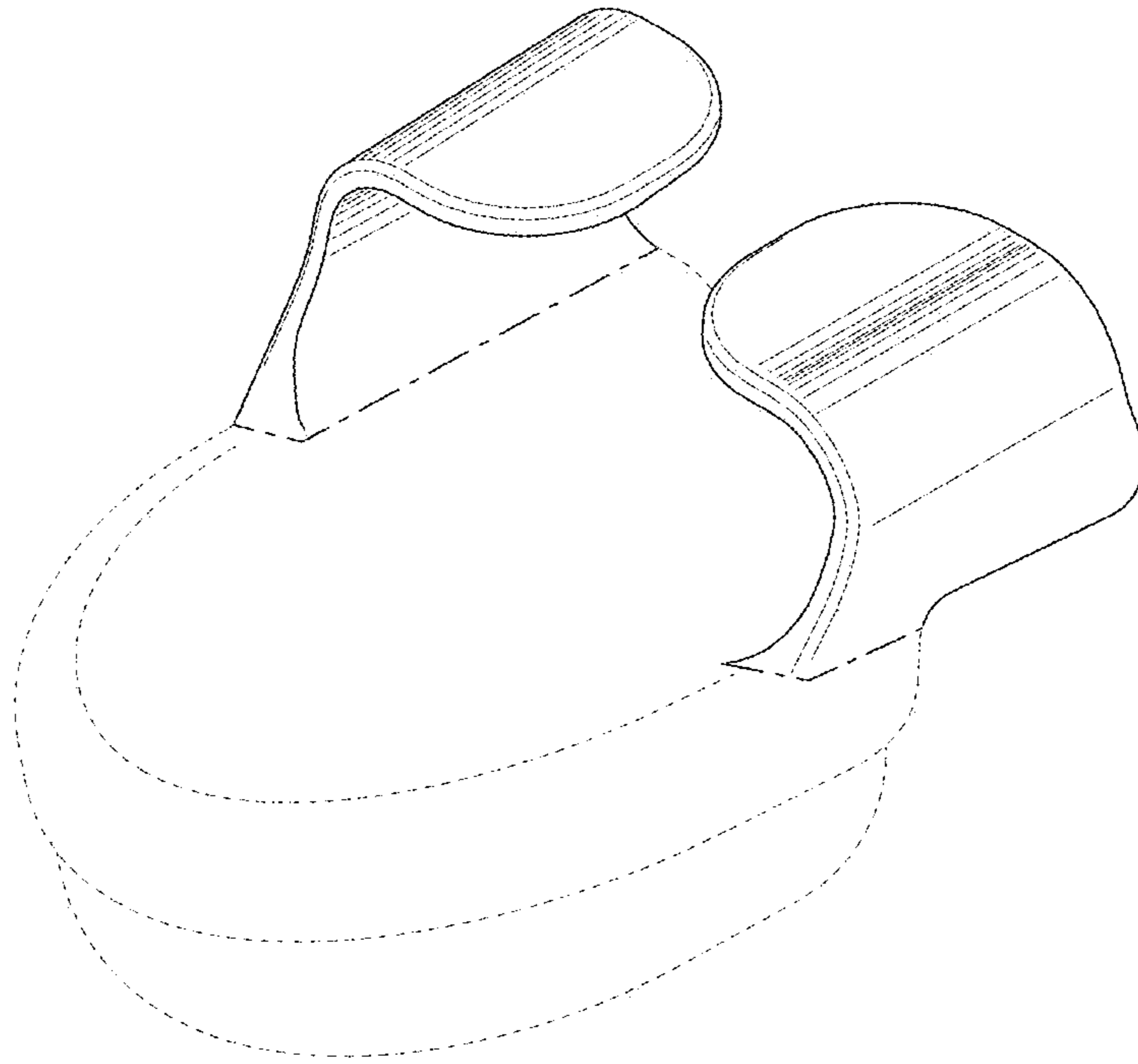


FIG. 1

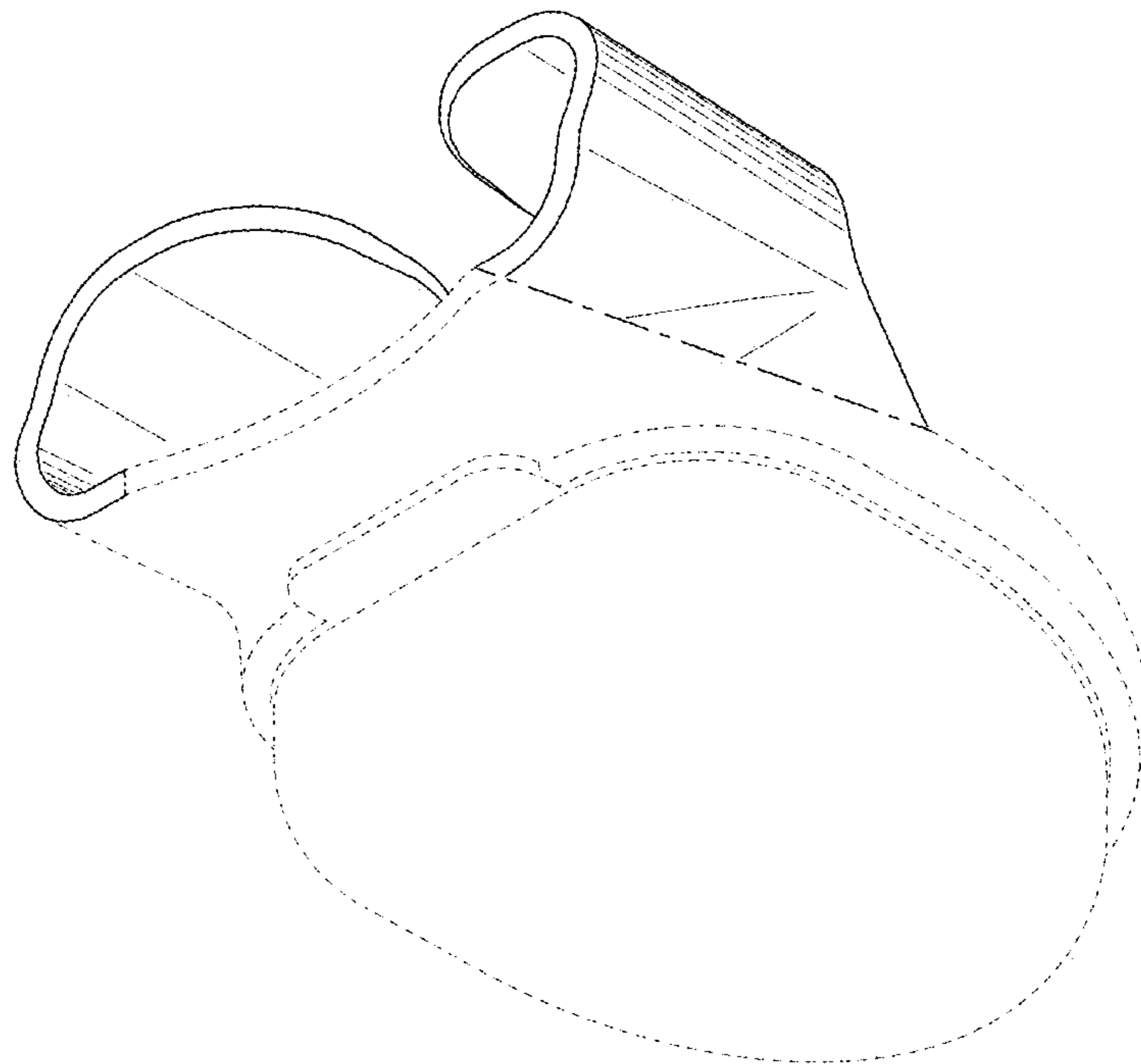


FIG. 2

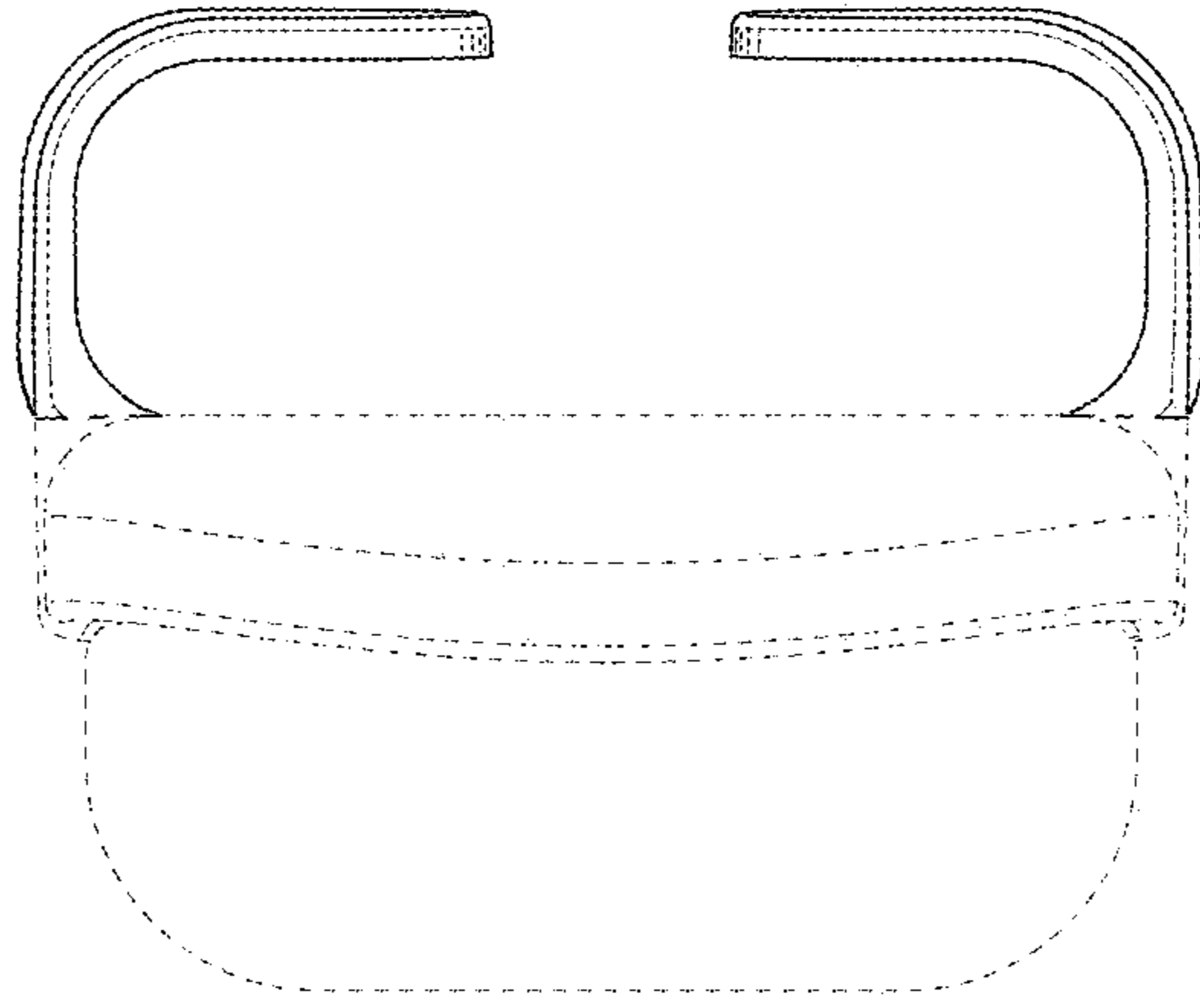


FIG. 3

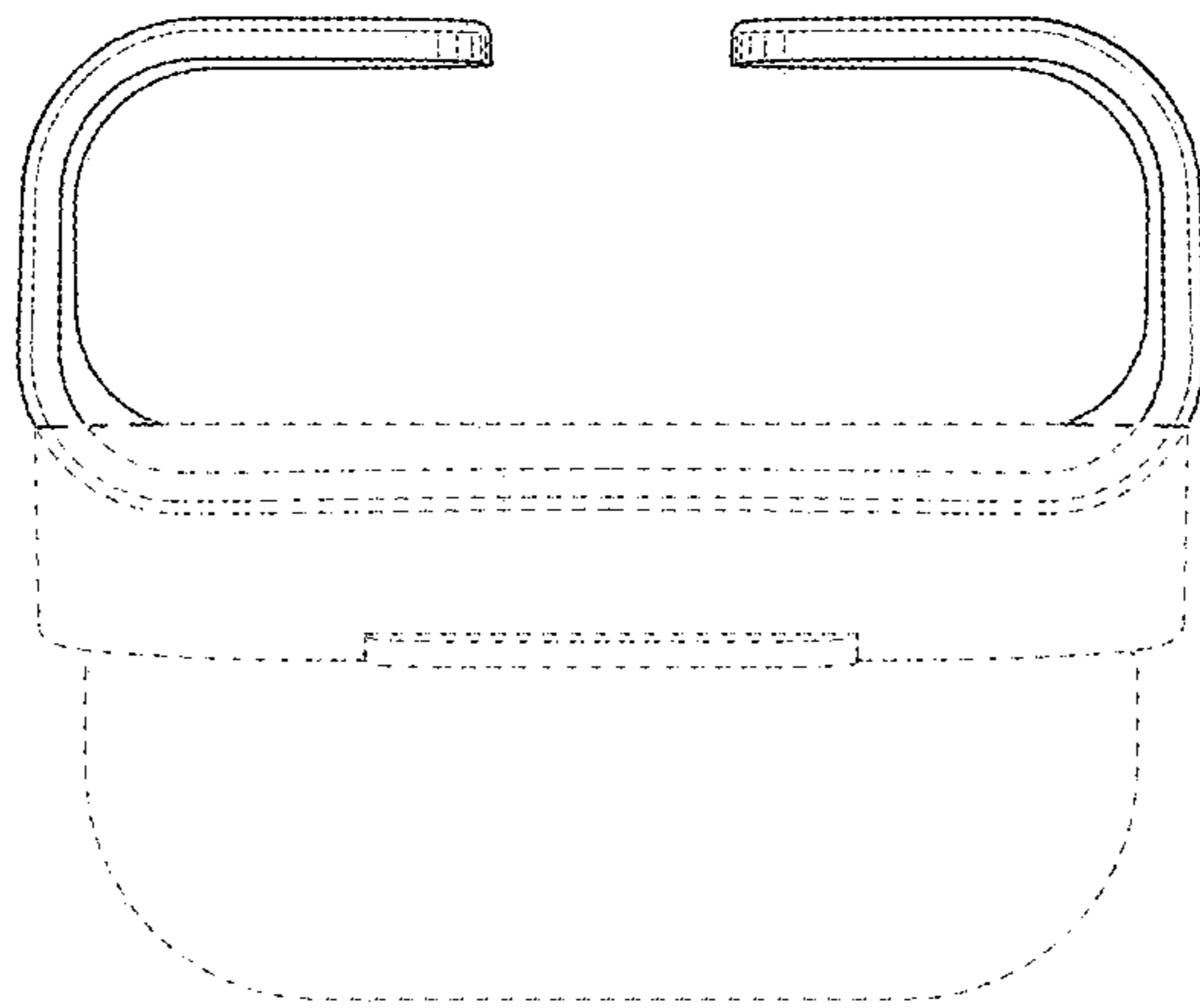


FIG. 4

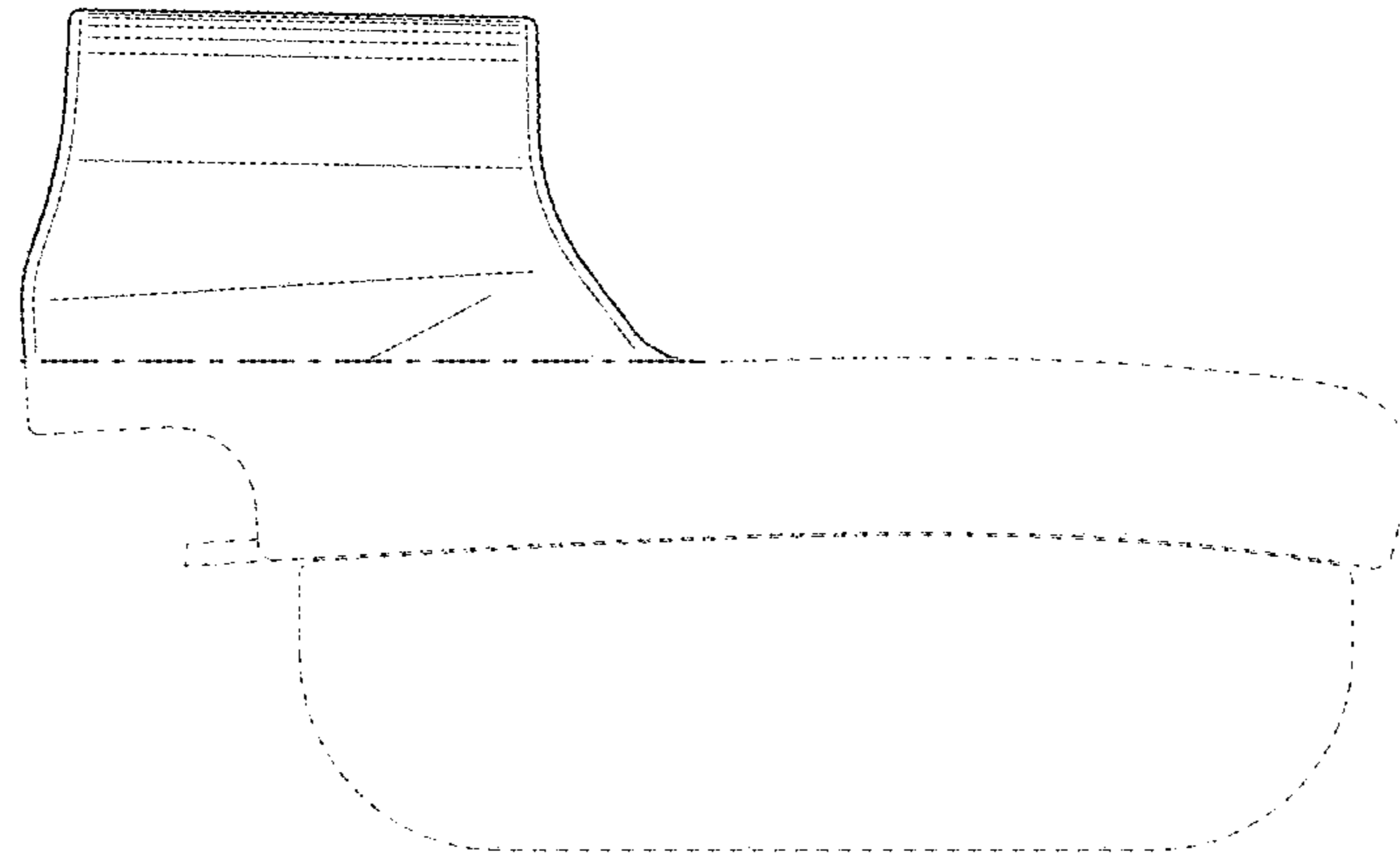


FIG. 5

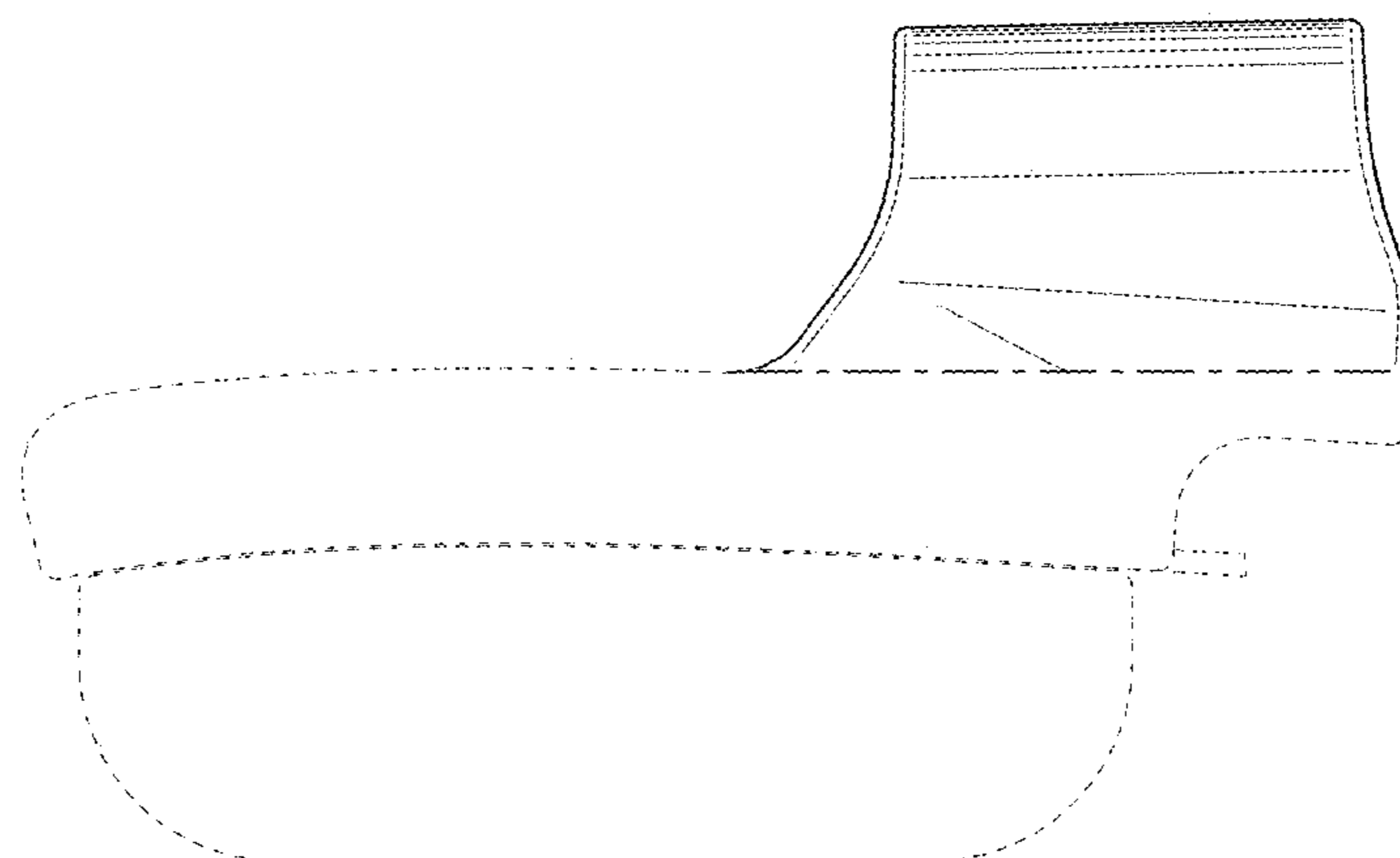


FIG. 6

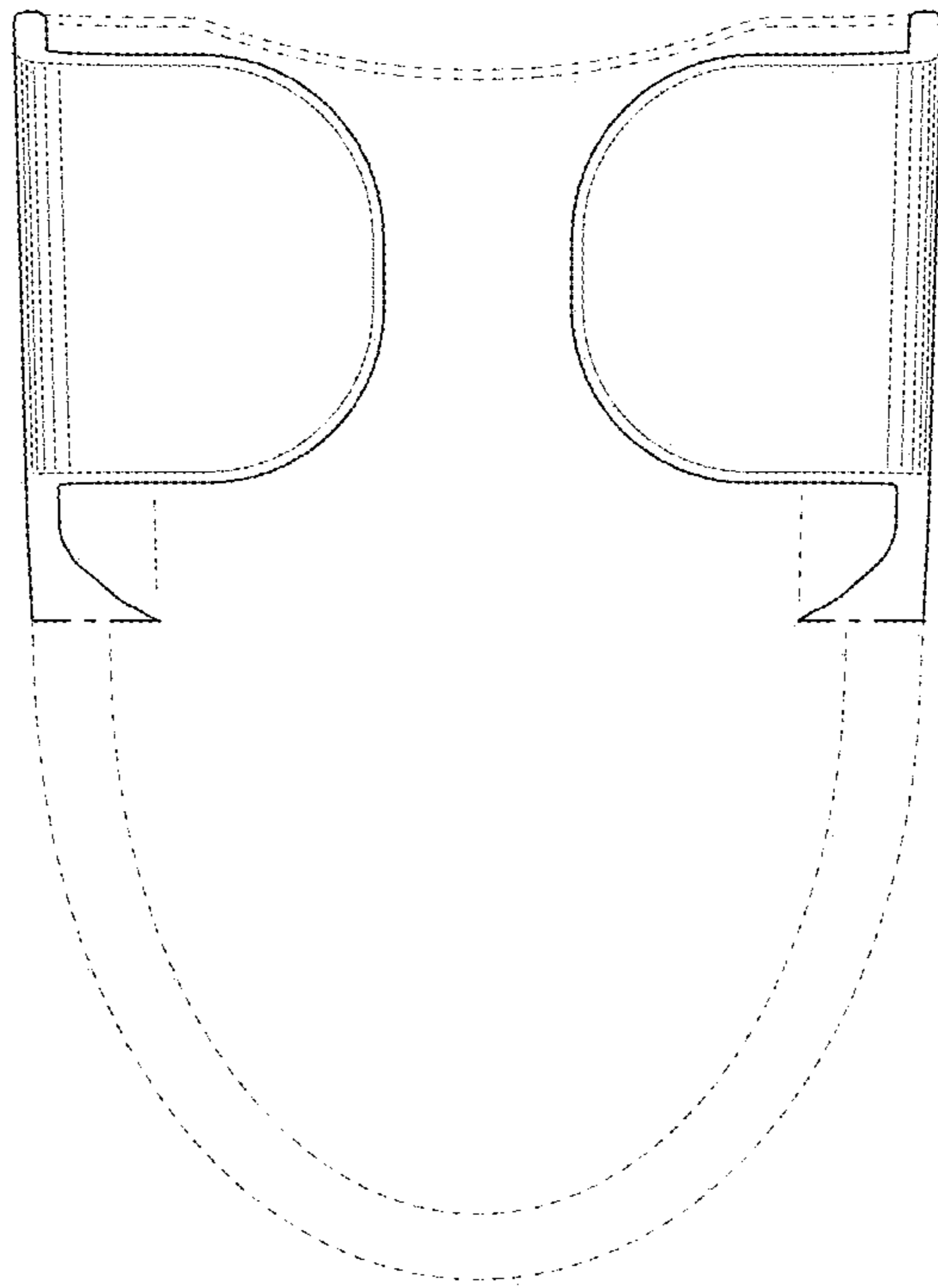


FIG. 7

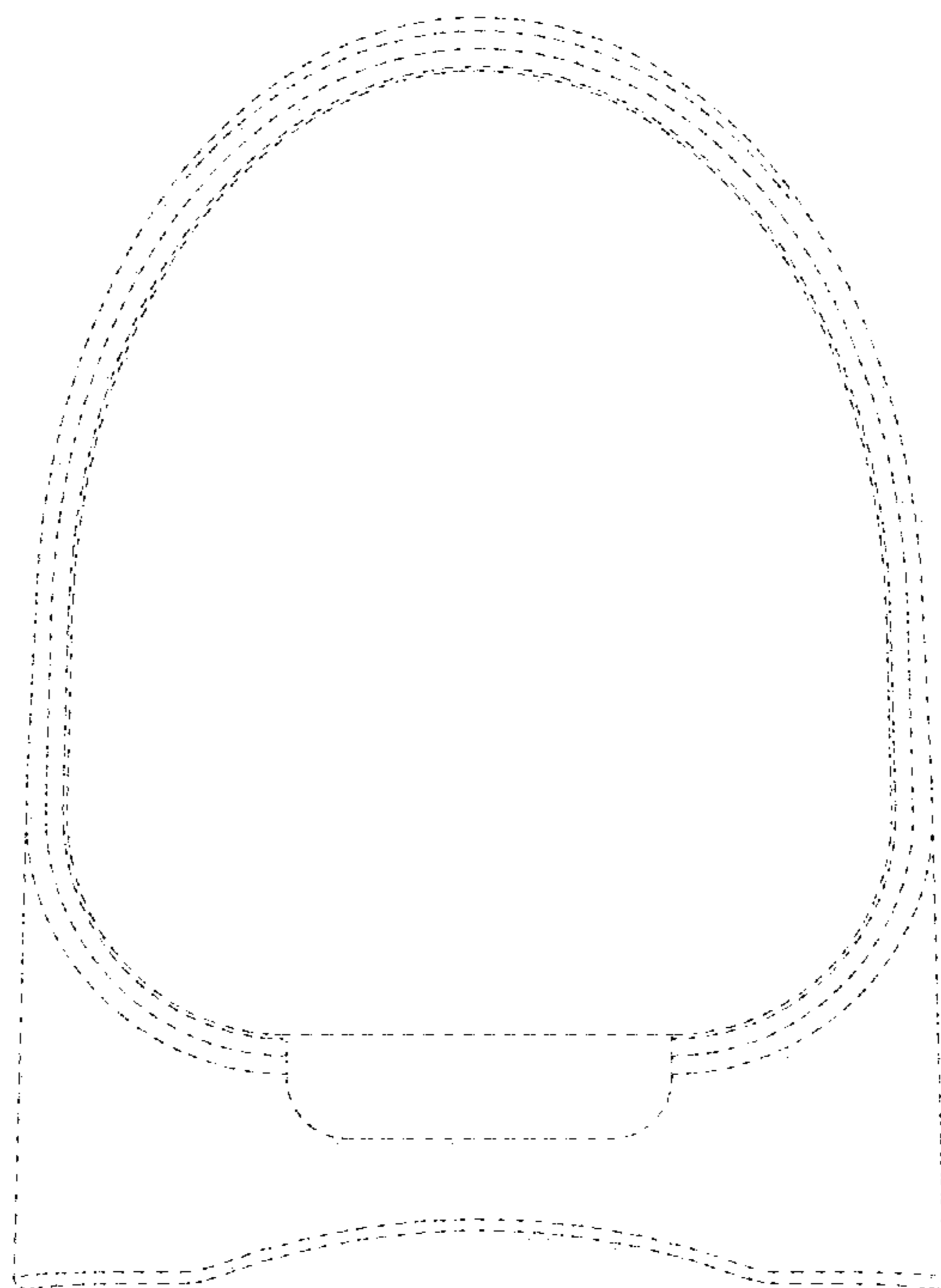


FIG. 8