



US00D875404S

(12) **United States Design Patent** (10) **Patent No.:** **US D875,404 S**
Courtney et al. (45) **Date of Patent:** **** Feb. 18, 2020**

(54) **DENTAL APPLIANCE**

(56) **References Cited**

(71) Applicant: **Dyson Technology Limited**, Wiltshire (GB)

(72) Inventors: **Stephen Benjamin Courtney**, Bath (GB); **Timothy Nicholas Stickney**, Gloucester (GB); **Thomas James Dunning Follows**, Swindon (GB); **William John Bex-Russell**, London (GB)

(73) Assignee: **Dyson Technology Limited**, Malmesbury, Wiltshire (GB)

(**) Term: **15 Years**

(21) Appl. No.: **29/692,505**

(22) Filed: **May 24, 2019**

U.S. PATENT DOCUMENTS

1,051,815 A	1/1913	Morgan
D84,131 S	5/1931	D'Ayrenx et al.
1,847,495 A	3/1932	Priest
1,959,601 A	5/1934	Schulse
2,036,706 A	4/1936	Law
D113,432 S	2/1939	Newman
2,318,460 A	5/1943	Brief
D153,130 S	3/1949	Fischer
2,490,185 A	12/1949	Work
D197,763 S	3/1964	Aymar
3,370,415 A	2/1968	Mcllvaine
3,728,035 A	4/1973	Reitknecht
3,734,106 A	5/1973	Zimmerman
D230,654 S	3/1974	Fishbein
D258,237 S	2/1981	Anspach
4,277,194 A	7/1981	Smith
D264,359 S	5/1982	Grubb et al.
4,344,184 A	8/1982	Edwards
D276,935 S	12/1984	Fattaleh
4,761,138 A	8/1988	Niesyn
D301,400 S	6/1989	Berendsen et al.
4,949,875 A	8/1990	Kuo
D310,368 S	9/1990	Derhaag et al.
D315,831 S	4/1991	Kawano
D319,170 S	8/1991	Franke
D320,275 S	9/1991	Wada et al.
D321,285 S	11/1991	Hirabayashi
5,062,728 A	11/1991	Kuo
D323,326 S	1/1992	Takawo
D323,745 S	2/1992	Stuart
D336,567 S	6/1993	Glover et al.
5,303,109 A	4/1994	Takao
5,349,480 A	9/1994	Takao
D353,490 S	12/1994	Hartwein
D354,168 S	1/1995	Hartwein
5,379,271 A	1/1995	Moedt
D357,016 S	4/1995	Li et al.
D359,607 S	6/1995	Yun
D379,472 S	5/1997	Smith
D384,207 S	9/1997	Underwood
D385,702 S	11/1997	Okada
D387,805 S	12/1997	Hsu
D388,958 S	1/1998	Hartwein
D393,016 S	3/1998	Young
D396,957 S	8/1998	Allende
5,815,872 A	10/1998	Meginniss, III et al.
D401,270 S	11/1998	Cockram
D403,864 S	1/1999	Holland et al.
D411,483 S	6/1999	Greene, Jr.

Related U.S. Application Data

(62) Division of application No. 29/602,377, filed on May 1, 2017, now Pat. No. Des. 854,329.

(30) **Foreign Application Priority Data**

Nov. 2, 2016 (GB) 6002227
 Nov. 2, 2016 (GB) 6002232
 Nov. 2, 2016 (GB) 6002237

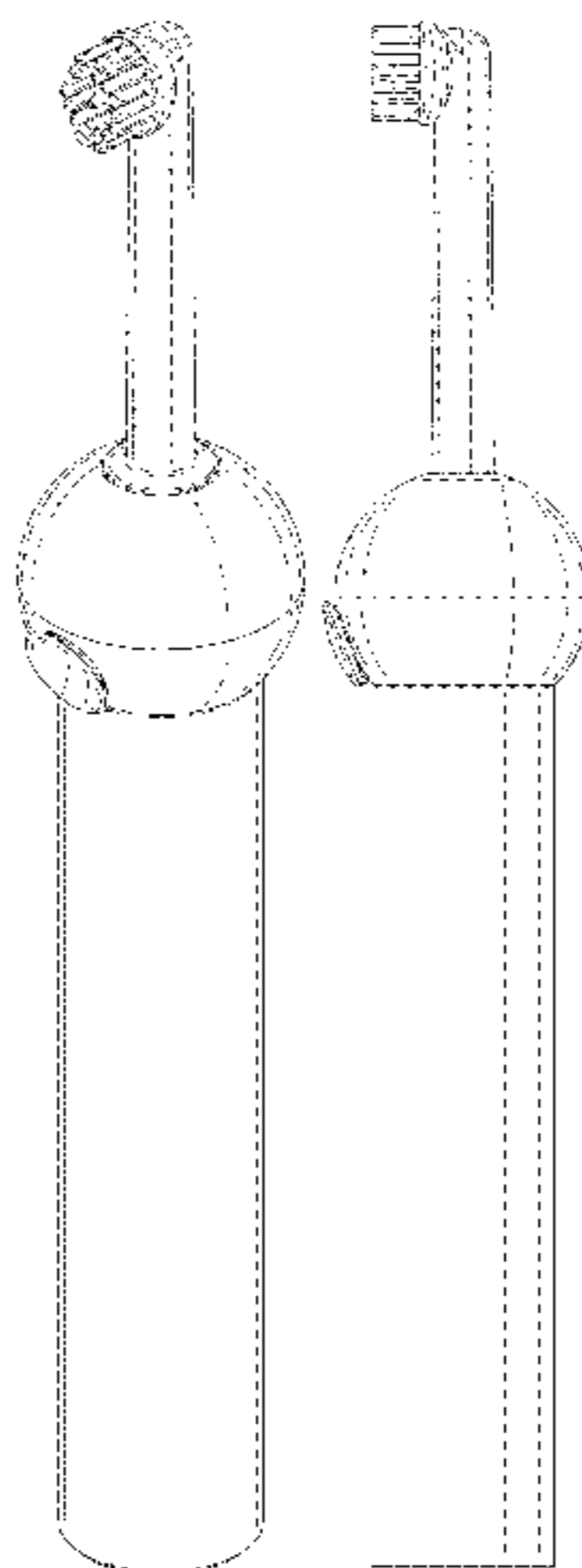
(51) **LOC (12) Cl.** **28-03**

(52) **U.S. Cl.**
USPC **D4/101**

(58) **Field of Classification Search**

USPC D4/100, 101, 102, 104, 105, 106, 107,
 D4/108, 109, 110, 111, 112, 113, 114,
 D4/115, 116, 117, 118, 119, 120, 121,
 D4/122, 123, 124, 125, 126, 127, 128,
 D4/129, 130, 132, 133, 134, 136, 138,
 D4/199; D24/111, 127, 152, 177
 CPC A46B 11/0062; A46B 13/04; A46B
 2200/1066; A46B 11/00; A46B 13/00;
 A46B 15/0097

See application file for complete search history.



US D875,404 S

D411,769 S	7/1999	Wright	D598,806 S	8/2009	Rosenkötter
D413,729 S	9/1999	Jansheski, Jr.	D599,555 S	9/2009	Oliphant
D417,082 S	11/1999	Classen et al.	D612,611 S	3/2010	Brown, Jr. et al.
D419,305 S	1/2000	Porter et al.	D621,455 S	8/2010	Chernick et al.
6,047,429 A	4/2000	Wu	D627,971 S	11/2010	Battaglia
D423,784 S	5/2000	Joulin	D634,547 S	3/2011	Botelho
D428,704 S	8/2000	Wildman	D636,604 S	4/2011	Zhuan
D433,232 S	11/2000	Stützer et al.	D637,817 S	5/2011	Smith
D433,813 S	11/2000	Stützer et al.	D645,922 S	9/2011	Wu
D433,814 S	11/2000	Blaustein et al.	D649,787 S	12/2011	Ivarsson
D436,254 S	1/2001	Kling et al.	D657,954 S	4/2012	Gebski
D440,766 S	4/2001	Hartwein et al.	D658,883 S	5/2012	Winkler
6,220,772 B1	4/2001	Taylor	D669,274 S	10/2012	Meurrens
D445,831 S	7/2001	Lindner	D669,978 S	10/2012	Gebski et al.
D446,022 S	8/2001	Vonarburg et al.	8,317,424 B2	11/2012	Chenvainu et al.
D451,244 S	11/2001	Chen et al.	D673,225 S	12/2012	Heidrich
6,332,233 B1	12/2001	Proulx	8,434,190 B2	5/2013	Stief et al.
D453,996 S	3/2002	Kling et al.	8,444,416 B2	5/2013	Chenvainu et al.
D455,010 S	4/2002	Kling	D688,464 S	8/2013	Hara
D455,556 S	4/2002	Kling	D688,877 S	9/2013	Li
D456,608 S	5/2002	Lim	D689,125 S	9/2013	Lochen
D456,996 S	5/2002	McCurrach	D689,698 S	9/2013	Dickie et al.
D458,028 S	6/2002	McCurrach	D690,369 S	9/2013	Wu
D458,029 S	6/2002	Li	D693,581 S	11/2013	Ballmaier et al.
6,422,974 B1	7/2002	Schimmel	D694,524 S	12/2013	Erskine-Smith
D462,174 S	9/2002	Schaber	D696,024 S	12/2013	Shigeno et al.
6,461,164 B1	10/2002	Ramelli	D696,517 S	12/2013	Gebski
D465,279 S	11/2002	Etter et al.	D701,388 S	3/2014	Chuanzhou
D468,422 S	1/2003	McCurrach	D702,946 S	4/2014	Shigeno et al.
D476,156 S	6/2003	Ferber et al.	D704,337 S	5/2014	Dunn
D477,716 S	7/2003	Roberson	D706,033 S	6/2014	Dickie et al.
D478,212 S	8/2003	Winkler	D707,764 S	6/2014	Deveaux
D478,214 S	8/2003	Winkler et al.	D708,440 S	7/2014	Owen et al.
D478,423 S	8/2003	Mulder et al.	D711,988 S	8/2014	Gubany
D483,182 S	12/2003	Blaustein et al.	D712,988 S	9/2014	Sagedahl
D487,911 S	3/2004	Cheney	D713,391 S	9/2014	Ibuki et al.
D492,717 S	7/2004	Cohen	D718,056 S	11/2014	Massee et al.
D492,996 S	7/2004	Rehkemper et al.	D718,057 S	11/2014	Massee et al.
6,766,549 B2	7/2004	Klupt	D719,737 S	12/2014	Adriaenssen et al.
D497,481 S	10/2004	Porter et al.	D724,679 S	3/2015	Martyn
D499,554 S	12/2004	Ramelli	D727,445 S	4/2015	Viramontez
D500,136 S	12/2004	Rehkemper et al.	9,039,642 B2	5/2015	Lee
D500,209 S	12/2004	Kellogg	D735,280 S	7/2015	O'Malley
D500,599 S	1/2005	Callaghan	D736,870 S	8/2015	Nagi
D501,605 S	2/2005	Brown, Jr. et al.	D738,968 S	9/2015	Oz
D503,852 S	4/2005	Hensel	D741,423 S	10/2015	Holland
D504,911 S	5/2005	Ng	9,154,025 B2	10/2015	Schaefer et al.
D508,776 S	8/2005	Kling et al.	D742,649 S	11/2015	Thompson
D509,362 S	9/2005	Maeda	D749,851 S	2/2016	Watkins
7,007,331 B2	3/2006	Davics et al.	D749,852 S	2/2016	Since
D521,681 S	5/2006	Ku	9,265,334 B1	2/2016	Fung-A-Wing
D527,187 S	8/2006	Ramelli	D751,821 S	3/2016	Since
D527,527 S	9/2006	Ramelli	D752,868 S	4/2016	McGarry et al.
D528,176 S	9/2006	Milliken	D757,439 S	5/2016	Shigeno et al.
D531,240 S	10/2006	Geisendorfer	D758,079 S	6/2016	Since
D531,811 S	11/2006	Cochran	D758,080 S	6/2016	Since
D532,974 S	12/2006	Zhuan	D758,736 S	6/2016	Shigeno et al.
D533,720 S	12/2006	Vu	D759,381 S *	6/2016	Watkins D4/101
D534,728 S	1/2007	Vu	D759,382 S	6/2016	Watkins
D541,049 S	4/2007	Huang	D761,567 S	7/2016	Uchida
D549,209 S	8/2007	Bauman et al.	D766,580 S	9/2016	Kollar et al.
D556,453 S	12/2007	Sprosta et al.	D766,581 S	9/2016	Bloch et al.
D556,455 S	12/2007	Williams	D767,895 S	10/2016	Stebila et al.
D562,488 S	2/2008	Weiser	D768,386 S	10/2016	Demarest et al.
D569,623 S	5/2008	Beedham	D773,192 S	12/2016	Nabavi
7,389,781 B2	6/2008	Kemp et al.	D773,822 S	12/2016	Sikora et al.
D572,007 S	7/2008	Lamason et al.	D774,144 S	12/2016	Fjelstad
D577,199 S	9/2008	Zhuan	D775,288 S	12/2016	Spiegler
D579,664 S	11/2008	Fisher et al.	D777,442 S	1/2017	White et al.
D579,666 S	11/2008	Jamson	D780,456 S	3/2017	Shigeno et al.
D580,173 S	11/2008	Beedham	D787,189 S	5/2017	Fretwell et al.
D583,052 S	12/2008	Kagawa	9,668,598 B2	6/2017	Wartersian et al.
D586,125 S	2/2009	Winkler et al.	D790,859 S	7/2017	McGarry et al.
D588,364 S	3/2009	Nanda	D790,861 S	7/2017	Demarest et al.
D589,255 S	3/2009	Taylor et al.	D791,485 S	7/2017	McGarry et al.
7,527,446 B2	5/2009	Johnson Papa et al.	9,700,129 B2	7/2017	Follows et al.
D595,366 S	6/2009	Katzke	D795,419 S	8/2017	Kohler
D595,771 S	7/2009	Oas	9,743,749 B2	8/2017	Follows et al.
D598,653 S	8/2009	Crossman	D798,060 S	9/2017	Shigeno et al.

US D875,404 S

D799,217	S	10/2017	Massee	
D799,756	S	10/2017	Fox	
D801,696	S	11/2017	McGarry et al.	
9,814,302	B2	11/2017	Follows et al.	
9,820,563	B2	11/2017	Follows et al.	
D804,918	S	12/2017	Lipford	
D806,228	S	12/2017	Yan	
9,839,284	B2	12/2017	Follows et al.	
D810,513	S	2/2018	Mccoey et al.	
D814,195	S	4/2018	Sikora et al.	
D819,337	S *	6/2018	Yuan	D4/101
10,022,208	B2	7/2018	Yoshida et al.	
D836,345	S	12/2018	Courtney et al.	
D836,346	S	12/2018	Courtney et al.	
D838,991	S *	1/2019	Choi	D4/101
D839,597	S	2/2019	Courtney et al.	
D839,598	S	2/2019	Courtney et al.	
D839,599	S	2/2019	Courtney et al.	
D847,512	S *	5/2019	Goldberg	D4/101
D848,746	S *	5/2019	Courtney	D4/101
D848,747	S *	5/2019	Courtney	D4/101
D854,328	S *	7/2019	Courtney	D4/101
D854,329	S *	7/2019	Courtney	D4/101
D854,330	S *	7/2019	Courtney	D4/101
D857,396	S *	8/2019	Nguyen	D4/101
2001/0034917	A1	11/2001	DuCey	
2004/0187889	A1	9/2004	Kemp et al.	
2006/0078844	A1	4/2006	Goldman et al.	
2006/0133885	A1	6/2006	Kaminski	
2009/0007357	A1	1/2009	Meadows	
2012/0272468	A1	11/2012	Weisman et al.	
2013/0007969	A1	1/2013	Driesen et al.	
2013/0091645	A1	4/2013	Suwanbutr	
2014/0246049	A1	9/2014	Ikink et al.	
2014/0259474	A1	9/2014	Sokol et al.	
2015/0150664	A1	6/2015	Crossman et al.	
2015/0230898	A1	8/2015	Miller	
2015/0310763	A1	10/2015	Miller et al.	
2016/0015163	A1	1/2016	Newman et al.	
2016/0157596	A1	6/2016	Fifield	
2016/0331113	A1	11/2016	Follows et al.	
2016/0331114	A1	11/2016	Follows et al.	
2016/0331115	A1	11/2016	Follows et al.	
2016/0331116	A1	11/2016	Follows et al.	
2016/0331117	A1	11/2016	Follows et al.	
2016/0331497	A1	11/2016	Follows et al.	
2016/0331498	A1	11/2016	Follows et al.	
2017/0119510	A1	5/2017	Tomori et al.	
2018/0021116	A1	1/2018	Störkel et al.	
2018/0055212	A1	3/2018	Follows et al.	
2018/0055616	A1	3/2018	Zheng et al.	
2018/0084898	A1	3/2018	Vincent et al.	
2018/0085207	A1	3/2018	Tweedie et al.	
2018/0110321	A1	4/2018	Harris et al.	
2018/0110322	A1	4/2018	Marsh et al.	
2018/0110601	A1	4/2018	Mighall et al.	
2018/0116390	A1	5/2018	Tweedie et al.	
2018/0116774	A1	5/2018	Coleman et al.	
2018/0125221	A1	5/2018	Wronski et al.	
2018/0125621	A1	5/2018	Tweedie et al.	
2018/0125624	A1	5/2018	Tweedie et al.	
2018/0168332	A1	6/2018	Wagner et al.	
2018/0221124	A1	8/2018	Carlyle et al.	
2018/0289456	A1	10/2018	Follows et al.	
2018/0289458	A1	10/2018	Follows et al.	
2018/0333240	A1	11/2018	Taniguchi	

FOREIGN PATENT DOCUMENTS

CN	304361403	11/2017
GB	2538299	11/2016
GB	2538308	11/2016
GB	2538309	11/2016
GB	2554401	4/2018
GB	2555386	5/2018
GB	2555417	5/2018
GB	2555418	5/2018
GB	2555449	5/2018
JP	1595649	4/2017

JP	1595568	1/2018
WO	2005/076818	8/2005
WO	2018/142099	8/2018

OTHER PUBLICATIONS

Courtney et al., Ex Parte Quayle Action mailed Dec. 5, 2018, directed to U.S. Appl. No. 29/602,331; 5 pages.

Courtney et al., Ex Parte Quayle Action mailed Oct. 18, 2018, directed to U.S. Appl. No. 29/602,369; 6 pages.

Courtney et al., U.S. Office Action dated Apr. 19, 2018, directed to U.S. Appl. No. 29/602,351; 14 pages.

Courtney et al., U.S. Office Action dated Apr. 19, 2018, directed to U.S. Appl. No. 29/602,366; 14 pages.

Courtney et al., U.S. Office Action dated Apr. 19, 2018, directed to U.S. Appl. No. 29/602,367; 13 pages.

Courtney et al., U.S. Office Action dated Apr. 19, 2018, directed to U.S. Appl. No. 29/602,369; 16 pages.

Courtney et al., U.S. Office Action dated Apr. 19, 2018, directed to U.S. Appl. No. 29/602,370; 16 pages.

Courtney et al., U.S. Office Action dated Apr. 19, 2018, directed to U.S. Appl. No. 29/602,381; 17 pages.

Courtney et al., U.S. Office Action dated Apr. 19, 2018, directed to U.S. Appl. No. 29/602,382; 14 pages.

Courtney et al., U.S. Office Action dated Apr. 20, 2018, directed to U.S. Appl. No. 29/602,376; 16 pages.

Courtney et al., U.S. Office Action dated Apr. 20, 2018, directed to U.S. Appl. No. 29/602,384; 14 pages.

Courtney et al., U.S. Office Action dated Apr. 20, 2018, directed to U.S. Appl. No. 29/602,386; 14 pages.

Courtney et al., U.S. Office Action dated Apr. 20, 2018, directed to U.S. Appl. No. 29/602,387; 17 pages.

Courtney et al., U.S. Office Action dated Apr. 20, 2018, directed to U.S. Appl. No. 29/602,388; 15 pages.

Courtney et al., U.S. Office Action dated Apr. 20, 2018, directed to U.S. Appl. No. 29/602,390; 17 pages.

Courtney et al., U.S. Office Action dated Apr. 23, 2018, directed to U.S. Appl. No. 29/602,374; 16 pages.

Courtney et al., U.S. Office Action dated Apr. 23, 2018, directed to U.S. Appl. No. 29/602,389; 16 pages.

Courtney et al., U.S. Office Action dated Apr. 25, 2018, directed to U.S. Appl. No. 29/602,321; 13 pages.

Courtney et al., U.S. Office Action dated Apr. 25, 2018, directed to U.S. Appl. No. 29/602,325; 13 pages.

Courtney et al., U.S. Office Action dated Apr. 25, 2018, directed to U.S. Appl. No. 29/602,330; 10 pages.

Courtney et al., U.S. Office Action dated Apr. 25, 2018, directed to U.S. Appl. No. 29/602,339; 11 pages.

Courtney et al., U.S. Office Action dated Feb. 19, 2019, directed to U.S. Appl. No. 29/602,445; 6 pages.

Courtney et al., U.S. Office Action dated Feb. 20, 2019, directed to U.S. Appl. No. 29/674,387; 8 pages.

Courtney et al., U.S. Office Action dated Feb. 20, 2019, directed to U.S. Appl. No. 29/674,388; 8 pages.

Courtney et al., U.S. Office Action dated Feb. 20, 2019, directed to U.S. Appl. No. 29/674,389; 8 pages.

Courtney et al., U.S. Office Action dated Feb. 20, 2019, directed to U.S. Appl. No. 29/674,391; 8 pages.

Courtney et al., U.S. Office Action dated Feb. 21, 2018, directed to U.S. Appl. No. 29/602,405; 7 pages.

Courtney et al., U.S. Office Action dated Feb. 21, 2018, directed to U.S. Appl. No. 29/602,407; 7 pages.

Courtney et al., U.S. Office Action dated Feb. 21, 2018, directed to U.S. Appl. No. 29/602,416; 8 pages.

Courtney et al., U.S. Office Action dated Feb. 21, 2018, directed to U.S. Appl. No. 29/602,418; 8 pages.

Courtney et al., U.S. Office Action dated Feb. 22, 2018, directed to U.S. Appl. No. 29/602,394; 16 pages.

Courtney et al., U.S. Office Action dated Feb. 22, 2018, directed to U.S. Appl. No. 29/602,396; 17 pages.

Courtney et al., U.S. Office Action dated Feb. 22, 2018, directed to U.S. Appl. No. 29/602,402; 20 pages.

Courtney et al., U.S. Office Action dated Feb. 22, 2018, directed to U.S. Appl. No. 29/602,403; 20 pages.
 Courtney et al., U.S. Office Action dated Feb. 22, 2018, directed to U.S. Appl. No. 29/602,409; 16 pages.
 Courtney et al., U.S. Office Action dated Feb. 23, 2018, directed to U.S. Appl. No. 29/602,395; 10 pages.
 Courtney et al., U.S. Office Action dated Feb. 23, 2018, directed to U.S. Appl. No. 29/602,397; 10 pages.
 Courtney et al., U.S. Office Action dated Feb. 23, 2018, directed to U.S. Appl. No. 29/602,411; 17 pages.
 Courtney et al., U.S. Office Action dated Mar. 7, 2018, directed to U.S. Appl. No. 29/602,426; 11 pages.
 Courtney et al., U.S. Office Action dated Mar. 8, 2018, directed to U.S. Appl. No. 29/602,383; 10 pages.
 Courtney et al., U.S. Office Action dated Mar. 8, 2018, directed to U.S. Appl. No. 29/602,385; 10 pages.
 Courtney et al., U.S. Office Action dated Mar. 8, 2018, directed to U.S. Appl. No. 29/602,391; 12 pages.
 Courtney et al., U.S. Office Action dated Mar. 8, 2018, directed to U.S. Appl. No. 29/602,393; 9 pages.
 Courtney et al., U.S. Office Action dated Mar. 8, 2018, directed to U.S. Appl. No. 29/602,427; 12 pages.
 Courtney et al., U.S. Office Action dated Mar. 8, 2018, directed to U.S. Appl. No. 29/602,430; 12 pages.
 Courtney et al., U.S. Office Action dated Mar. 8, 2018, directed to U.S. Appl. No. 29/602,431; 11 pages.
 Courtney et al., U.S. Office Action dated Mar. 8, 2018, directed to U.S. Appl. No. 29/602,435; 12 pages.
 Courtney et al., U.S. Office Action dated Mar. 8, 2018, directed to U.S. Appl. No. 29/602,436; 10 pages.
 Courtney et al., U.S. Office Action dated Mar. 8, 2018, directed to U.S. Appl. No. 29/602,437; 11 pages.
 Courtney et al., U.S. Office Action dated Mar. 8, 2018, directed to U.S. Appl. No. 29/602,438; 12 pages.
 Courtney et al., U.S. Office Action dated Mar. 8, 2018, directed to U.S. Appl. No. 29/602,440; 12 pages.
 Courtney et al., U.S. Office Action dated Mar. 8, 2018, directed to U.S. Appl. No. 29/602,443; 12 pages.
 Courtney et al., U.S. Office Action dated May 16, 2018, directed to U.S. Appl. No. 29/602,319; 6 pages.
 Courtney et al., U.S. Office Action dated May 16, 2018, directed to U.S. Appl. No. 29/602,320; 6 pages.
 Courtney et al., U.S. Office Action dated May 16, 2018, directed to U.S. Appl. No. 29/602,323; 7 pages.
 Courtney et al., U.S. Office Action dated May 16, 2018, directed to U.S. Appl. No. 29/602,326; 7 pages.
 Courtney et al., U.S. Office Action dated May 16, 2018, directed to U.S. Appl. No. 29/602,343; 9 pages.
 Courtney et al., U.S. Office Action dated May 16, 2018, directed to U.S. Appl. No. 29/602,344; 7 pages.
 Courtney et al., U.S. Office Action dated May 16, 2018, directed to U.S. Appl. No. 29/602,345; 9 pages.
 Courtney et al., U.S. Office Action dated May 16, 2018, directed to U.S. Appl. No. 29/602,347; 8 pages.
 Courtney et al., U.S. Office Action dated May 16, 2018, directed to U.S. Appl. No. 29/602,349; 9 pages.
 Courtney et al., U.S. Office Action dated May 16, 2018, directed to U.S. Appl. No. 29/602,351; 9 pages.
 Courtney et al., U.S. Office Action dated May 16, 2018, directed to U.S. Appl. No. 29/602,359; 8 pages.
 Courtney et al., U.S. Office Action dated May 16, 2018, directed to U.S. Appl. No. 29/602,360; 7 pages.
 Courtney et al., U.S. Office Action dated May 16, 2018, directed to U.S. Appl. No. 29/602,363; 10 pages.
 Courtney et al., U.S. Office Action dated May 16, 2018, directed to U.S. Appl. No. 29/602,365; 10 pages.

Courtney et al., U.S. Office Action dated May 17, 2018, directed to U.S. Appl. No. 29/602,327; 14 pages.
 Courtney et al., U.S. Office Action dated May 17, 2018, directed to U.S. Appl. No. 29/602,331; 13 pages.
 Courtney et al., U.S. Office Action dated May 18, 2018, directed to U.S. Appl. No. 29/602,328; 15 pages.
 Courtney et al., U.S. Office Action dated May 18, 2018, directed to U.S. Appl. No. 29/602,333; 14 pages.
 Courtney et al., U.S. Office Action dated May 18, 2018, directed to U.S. Appl. No. 29/602,340; 13 pages.
 Courtney et al., U.S. Office Action dated May 18, 2018, directed to U.S. Appl. No. 29/602,341; 16 pages.
 Courtney et al., U.S. Office Action dated May 18, 2018, directed to U.S. Appl. No. 29/602,342; 12 pages.
 Courtney et al., U.S. Office Action dated May 18, 2018, directed to U.S. Appl. No. 29/602,355; 12 pages.
 Courtney et al., U.S. Office Action dated May 18, 2018, directed to U.S. Appl. No. 29/602,357; 11 pages.
 Courtney et al., U.S. Office Action dated May 25, 2018, directed to U.S. Appl. No. 29/602,422; 15 pages.
 Courtney et al., U.S. Office Action dated Oct. 18, 2018, directed to U.S. Appl. No. 29/602,375; 9 pages.
 Courtney et al., U.S. Office Action dated Oct. 18, 2018, directed to U.S. Appl. No. 29/602,377; 9 pages.
 Courtney et al., U.S. Office Action dated Oct. 18, 2018, directed to U.S. Appl. No. 29/602,379; 9 pages.
 Courtney et al., U.S. Office Action dated Oct. 18, 2018, directed to U.S. Appl. No. 29/602,445; 9 pages.
 Courtney et al., U.S. Office Action dated Sep. 7, 2018, directed to U.S. Appl. No. 29/602,368; 9 pages.
 Love, John. (Nov. 27, 2016) "Dyson is designing an electric toothbrush," located at <http://www.electriceeth.co.uk/dyson-is-designing-an-electric-toothbrush/> (18 pages).
 Pettit, H. (Nov. 24, 2016). "Dyson's next device could be a smart Toothbrush that flosses your teeth with high-powered jets of water," located at <http://www.dailymail.co.uk/sciencetech/article-968756/Dyson-s-invention-smart-TOOTBRUSH-flosses-teeth-water-clean-them.html> (5 pages).

* cited by examiner

Primary Examiner — Karen E Eldridge Powers
 (74) *Attorney, Agent, or Firm* — Morrison & Foerster LLP

(57) **CLAIM**

We claim the ornamental design for a dental appliance, as shown and described.

DESCRIPTION

FIG. 1 is a perspective view of a dental appliance showing our new design;
 FIG. 2 is a front elevation view thereof;
 FIG. 3 is a rear elevation view thereof;
 FIG. 4 is a side elevation view thereof;
 FIG. 5 is a side elevation view of the opposite side of the design as that shown in FIG. 4;
 FIG. 6 is a top plan view thereof; and,
 FIG. 7 is a bottom plan view thereof.
 The broken lines shown in the drawings illustrate portions of a dental appliance that form no part of the claimed design.

1 Claim, 7 Drawing Sheets

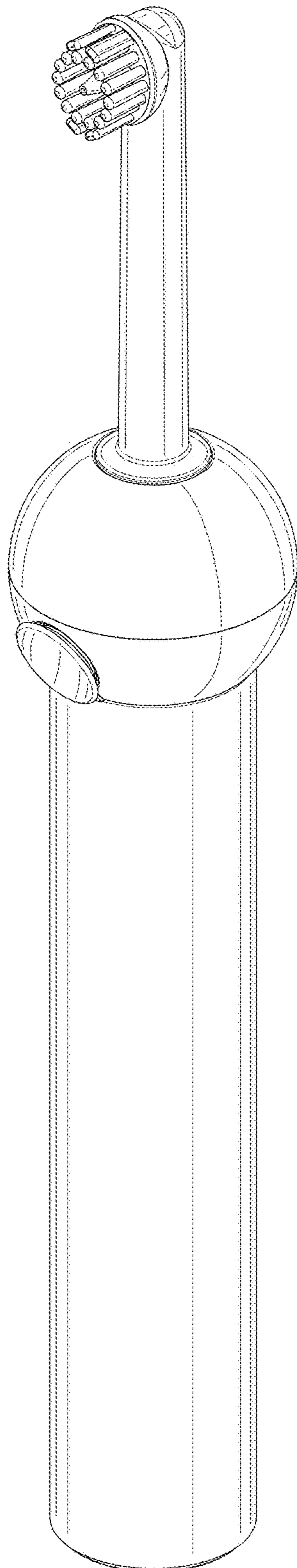


FIG. 1

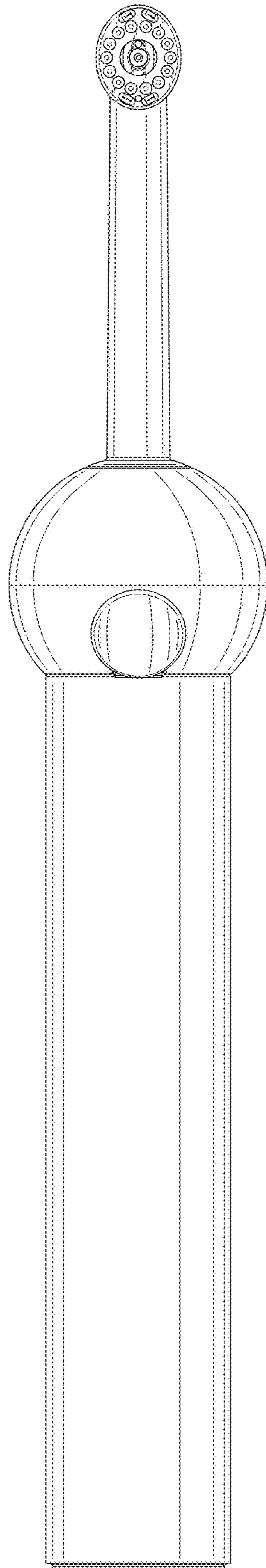


FIG. 2

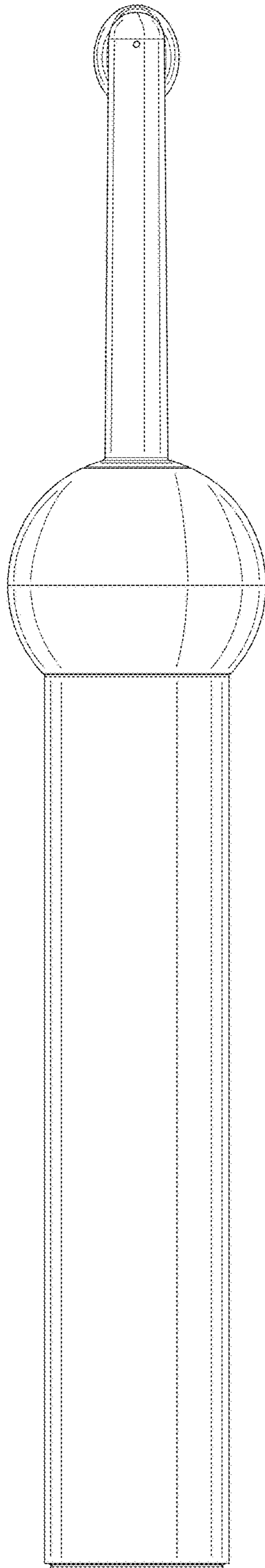


FIG. 3

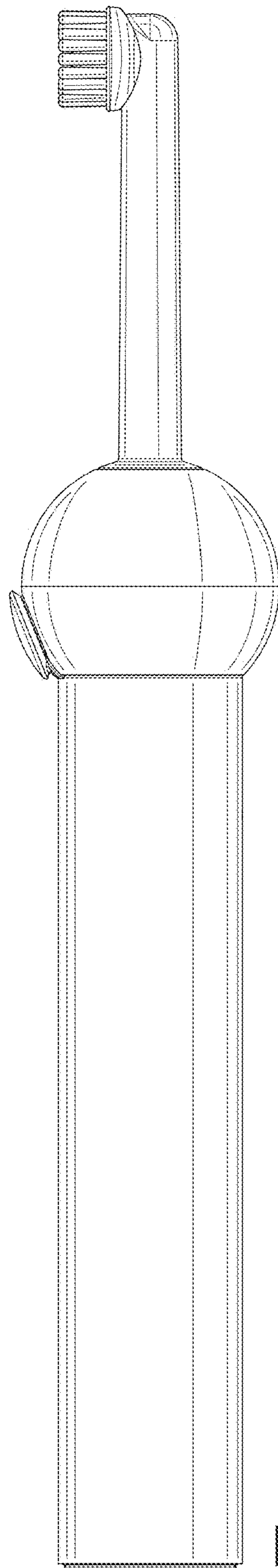


FIG. 4

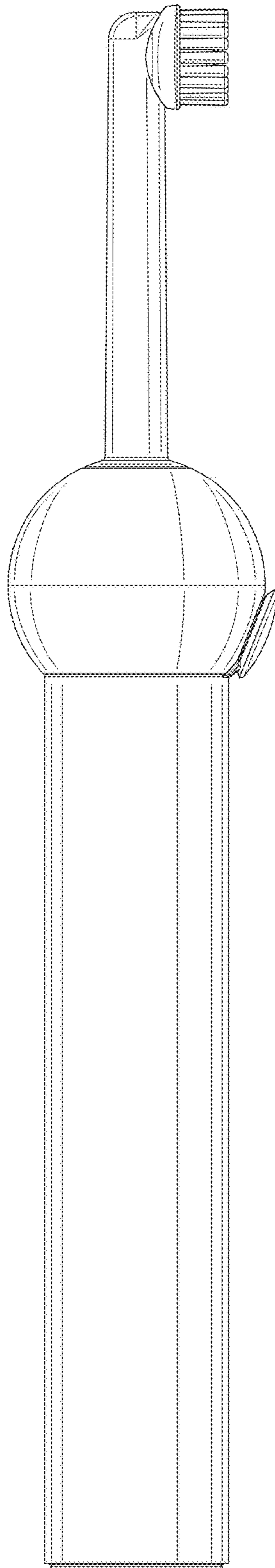


FIG. 5

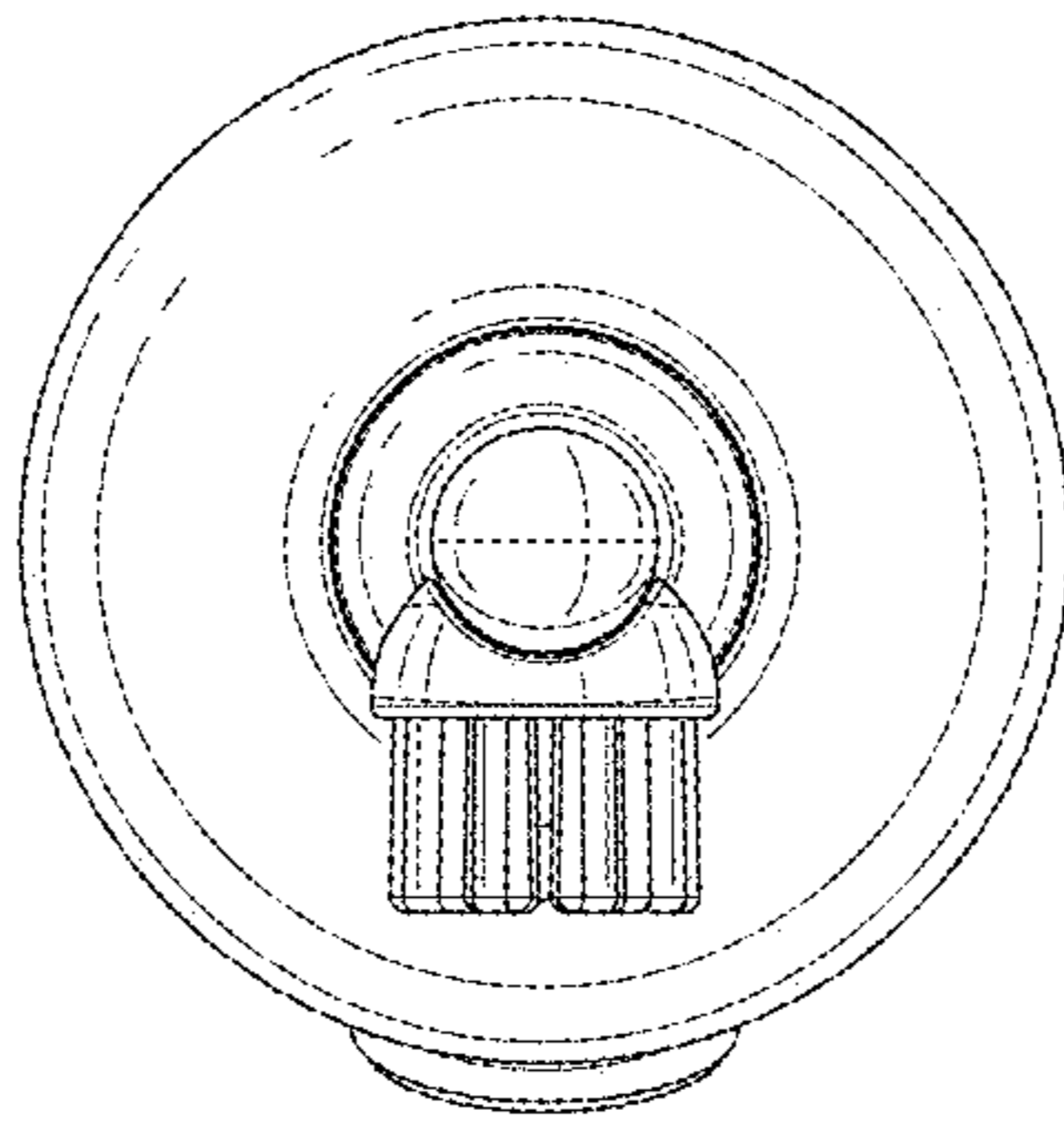


FIG. 6

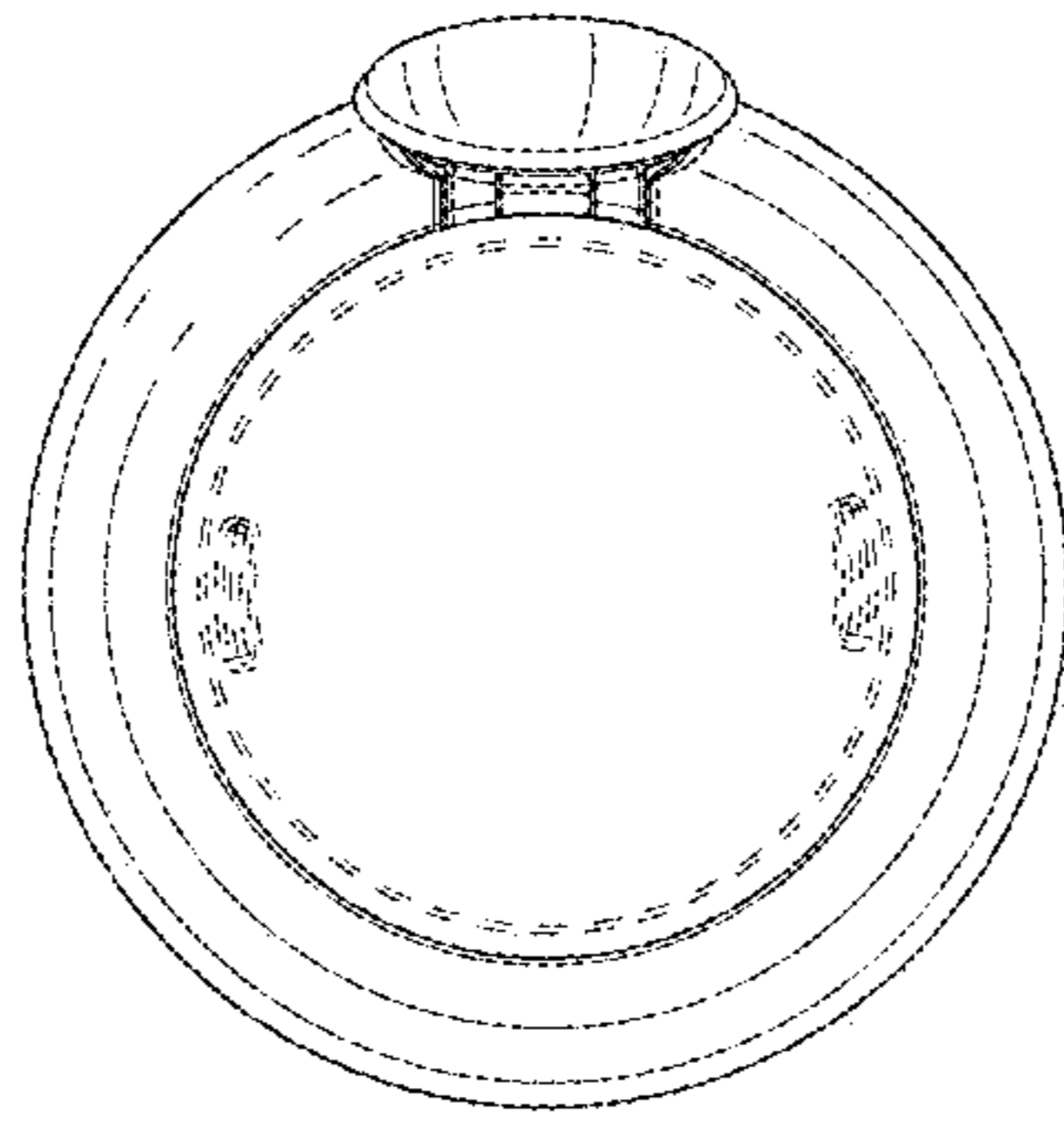


FIG. 7