



US00D875401S

(12) **United States Design Patent** (10) **Patent No.:** **US D875,401 S**  
**Wang** (45) **Date of Patent:** **\*\* Feb. 18, 2020**

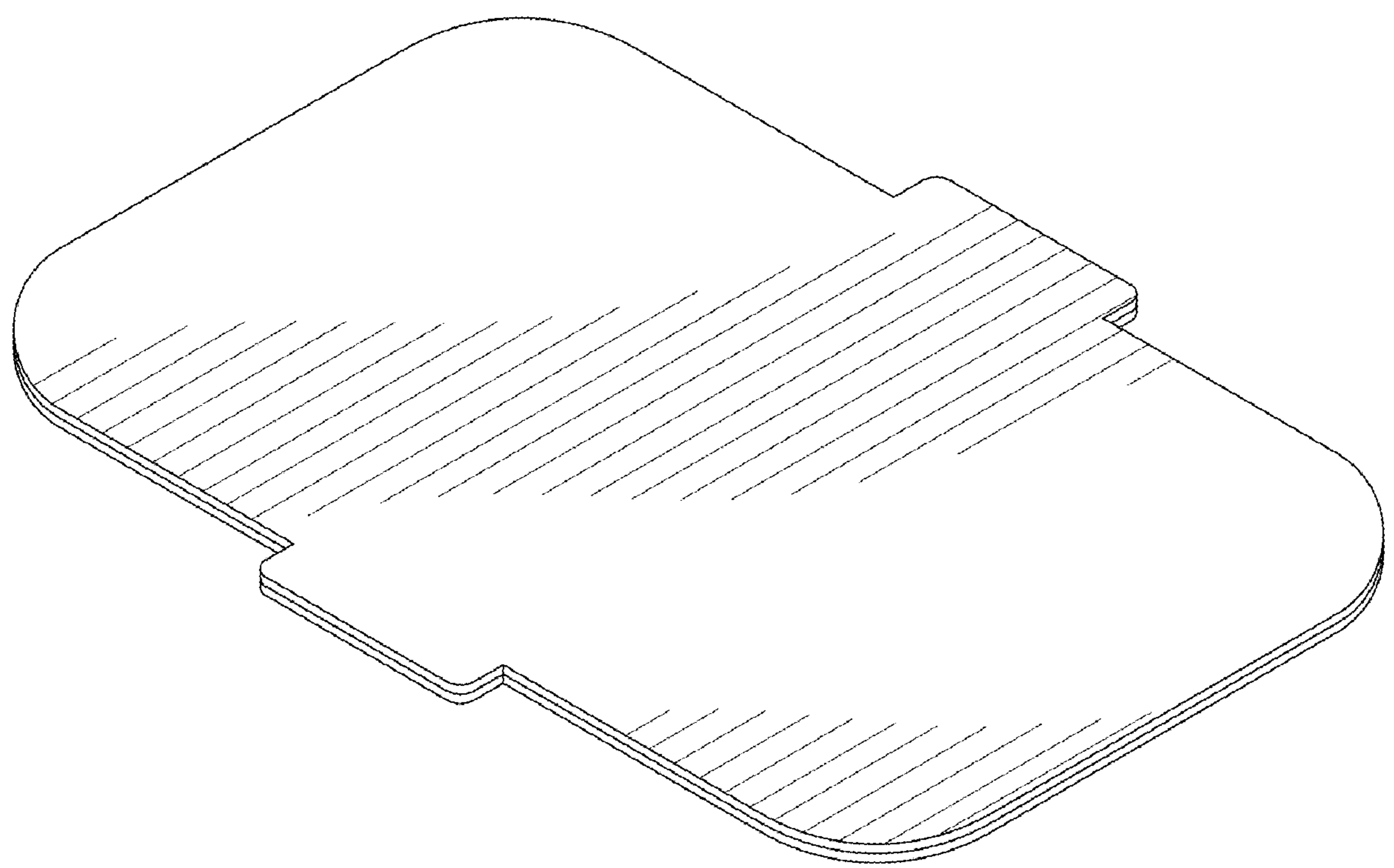
- (54) **STORAGE BASKET COVER**
- (71) Applicant: **Wei-Cheng Wang**, Taipei (TW)
- (72) Inventor: **Wei-Cheng Wang**, Taipei (TW)
- (\*\*) Term: **15 Years**
- (21) Appl. No.: **29/665,607**
- (22) Filed: **Oct. 5, 2018**
- (51) **LOC (12) Cl.** ..... **03-01**
- (52) **U.S. Cl.**  
USPC ..... **D3/318**
- (58) **Field of Classification Search**  
USPC ..... D3/318, 294  
CPC ..... B65D 43/0212; B65D 85/34; B65D  
2543/00194; B65D 2543/00296; B65D  
2543/00351  
See application file for complete search history.

- (56) **References Cited**  
U.S. PATENT DOCUMENTS  
2,328,427 A \* 8/1943 Davis ..... B65D 9/32  
217/124  
3,448,888 A \* 6/1969 Collie ..... B65D 43/0212  
220/781  
D401,068 S \* 11/1998 Kolenda ..... D3/318  
D435,730 S \* 1/2001 Akre ..... D3/318  
D760,536 S \* 7/2016 Scevola ..... D7/392.1

D766,577 S \* 9/2016 Reinhart ..... D3/318  
10,266,319 B2 \* 4/2019 Buck ..... A47G 19/2205  
\* cited by examiner  
*Primary Examiner* — Holly H Baynham  
(74) *Attorney, Agent, or Firm* — Leong C. Lei  
(57) **CLAIM**  
The ornamental design for a storage basket cover, as shown and described.

**DESCRIPTION**  
FIG. 1 is a front perspective view of a storage basket cover showing my new design;  
FIG. 2 is a front elevational view thereof;  
FIG. 3 is a rear elevational view thereof;  
FIG. 4 is a left elevational view thereof;  
FIG. 5 is a right elevational view thereof;  
FIG. 6 is a top plan view thereof;  
FIG. 7 is a bottom plan view thereof;  
FIG. 8 is another perspective view, showing the status while in use;  
FIG. 9 is another perspective view, showing the status while in use;  
FIG. 10 is another perspective view, showing the status while in use;  
FIG. 11 is another perspective view, showing the status while in use; and,  
FIG. 12 is another perspective view, showing the status while in use.  
The portions shown in broken lines form no part of the claimed design.

**1 Claim, 9 Drawing Sheets**



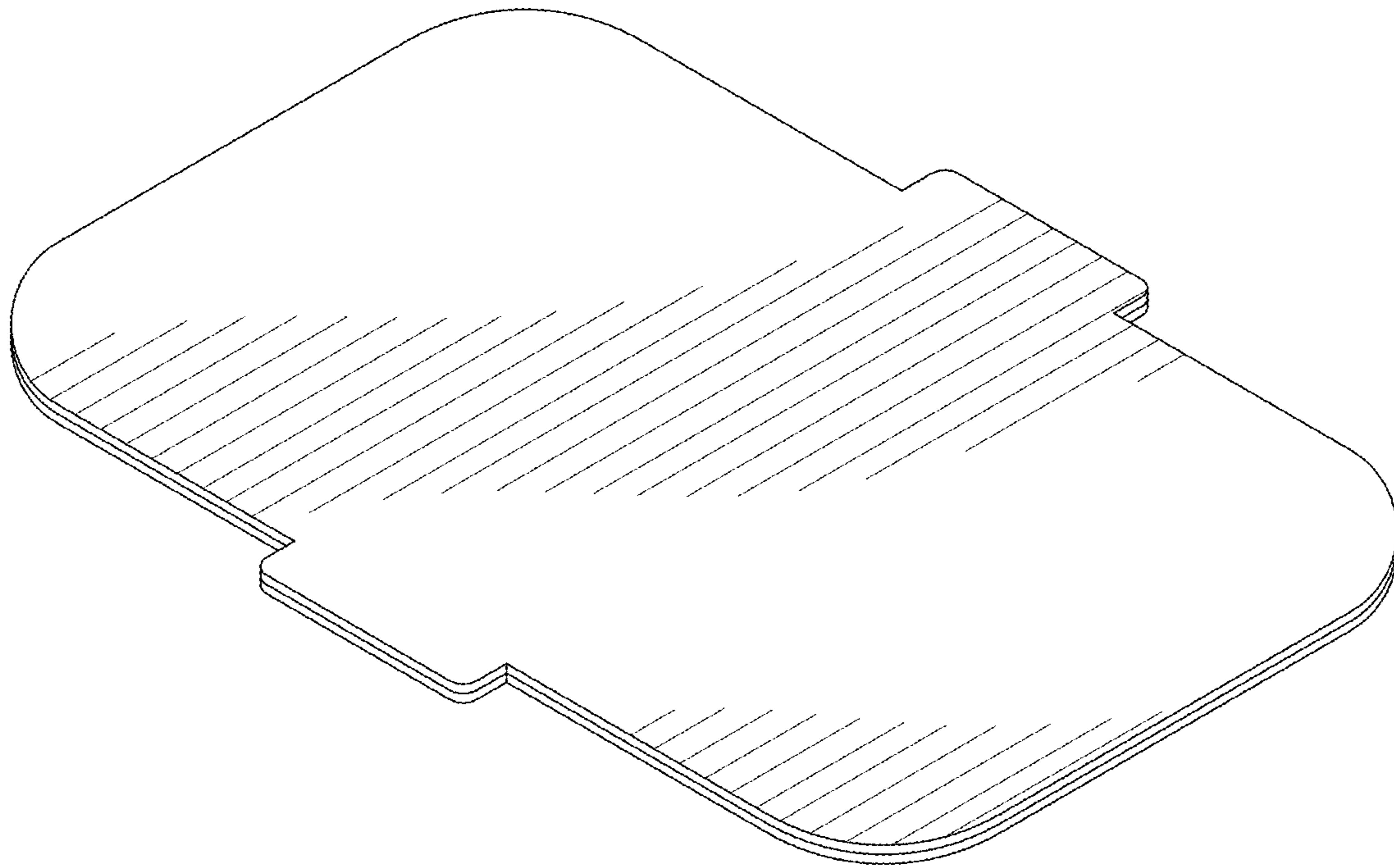


FIG. 1

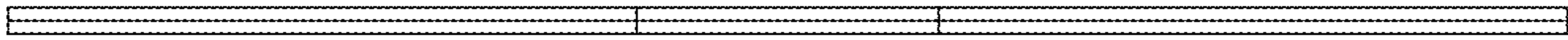


FIG. 2

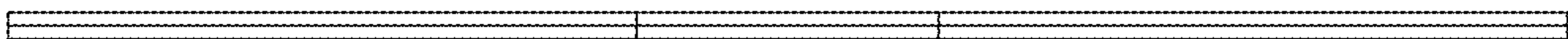


FIG. 3

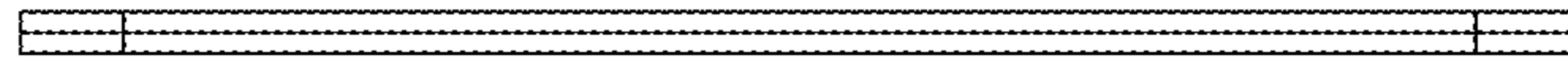


FIG. 4

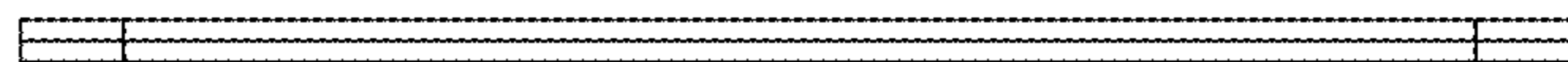


FIG. 5

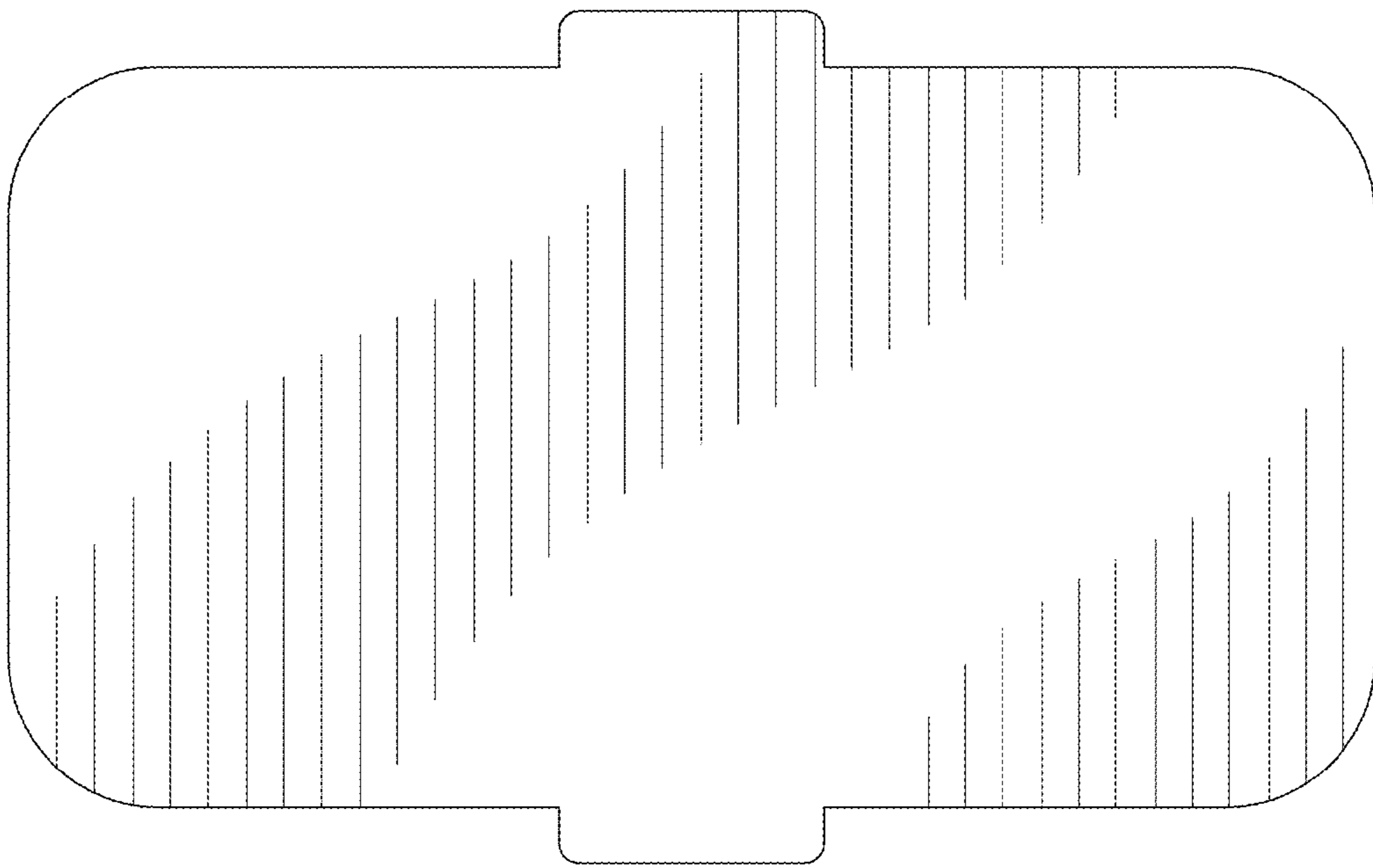


FIG. 6

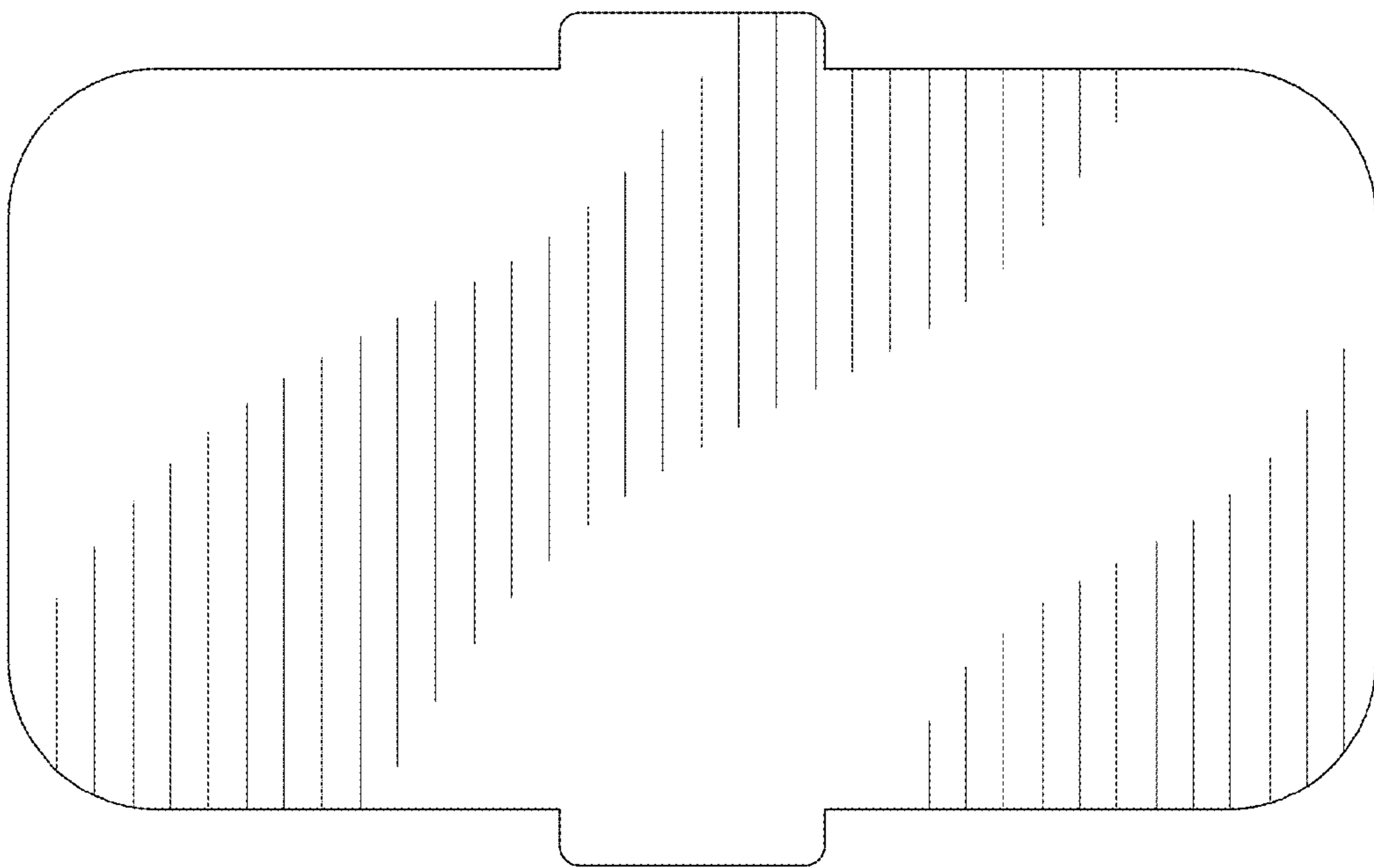


FIG. 7

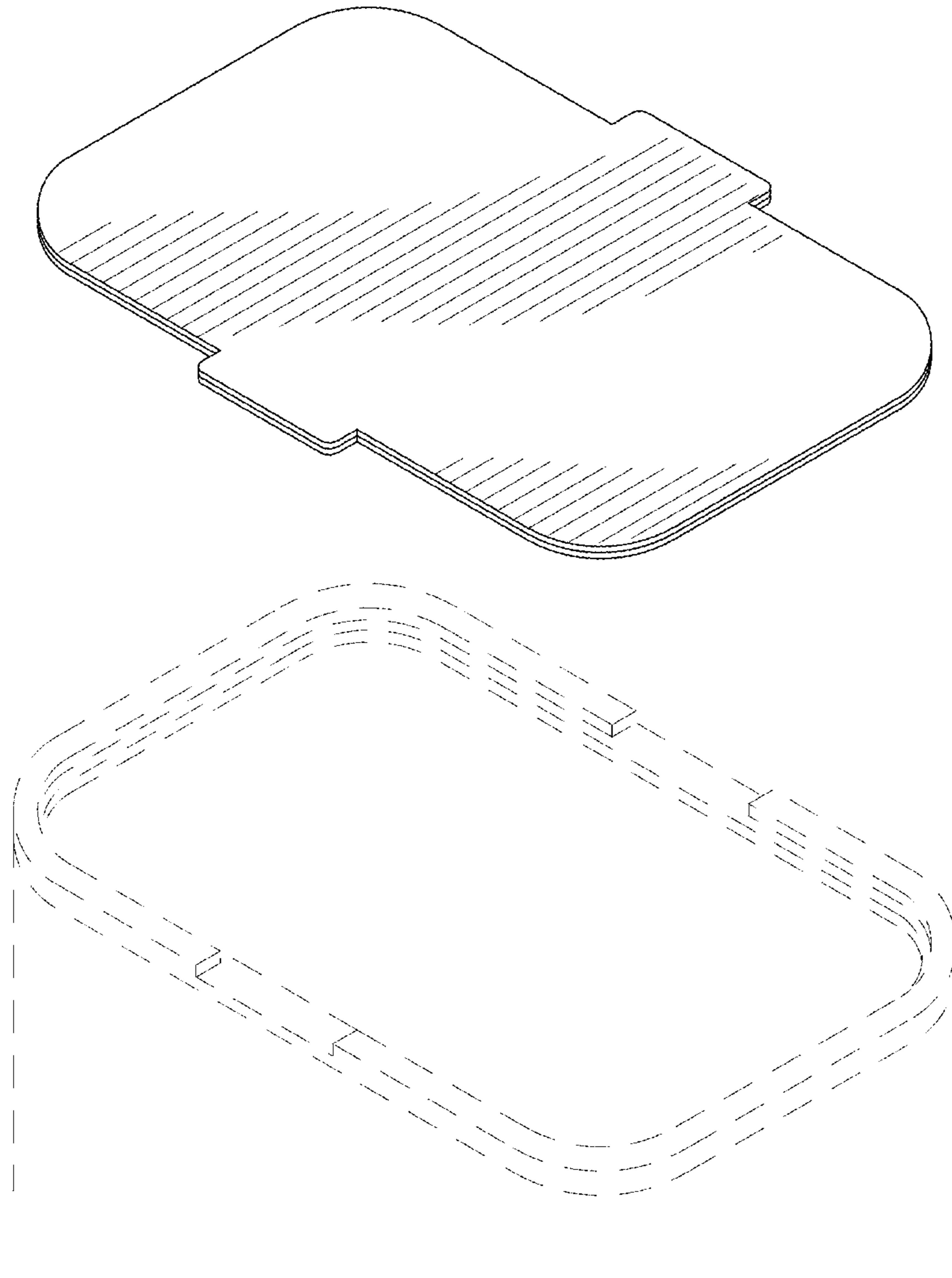


FIG. 8

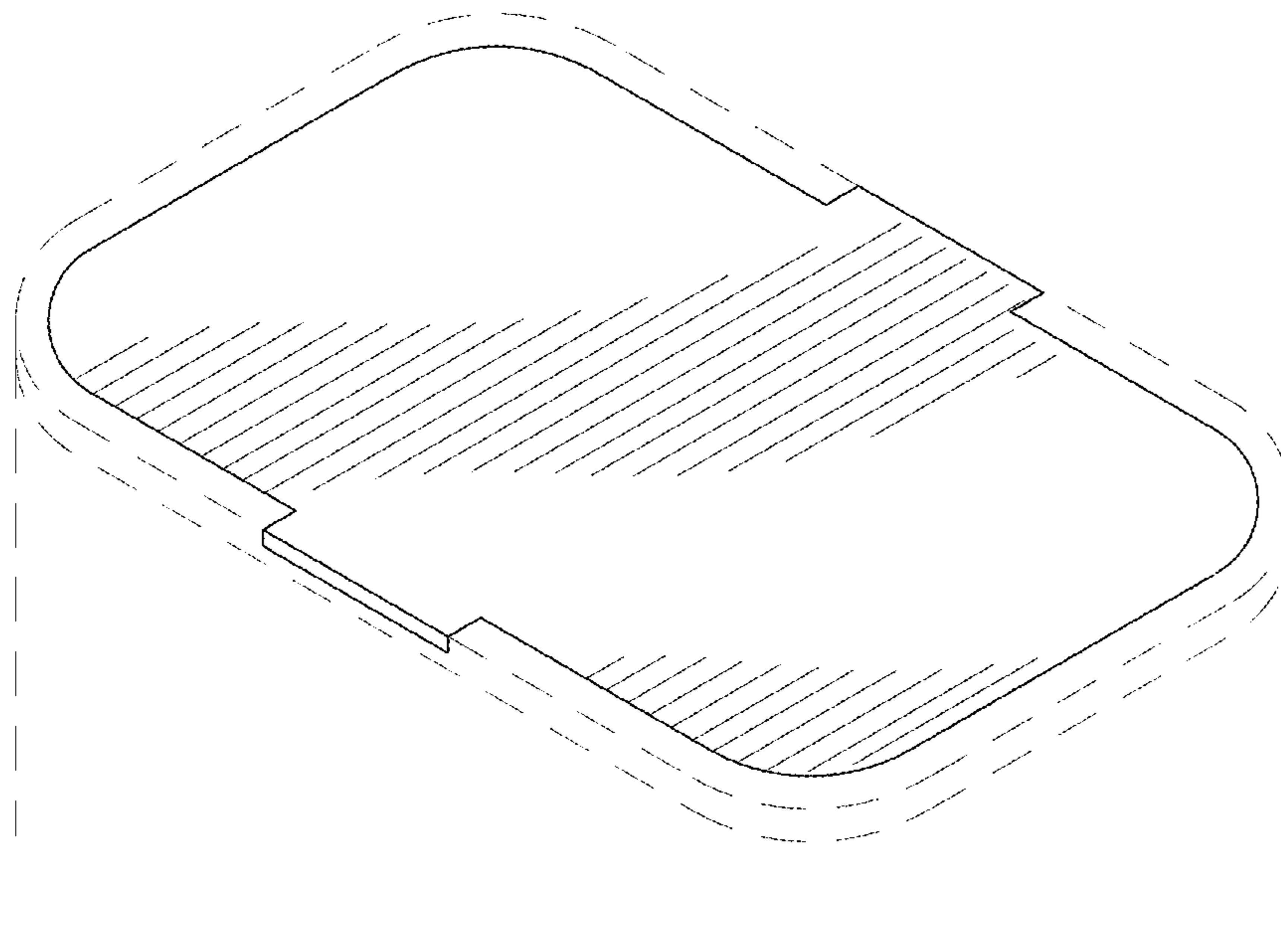


FIG. 9



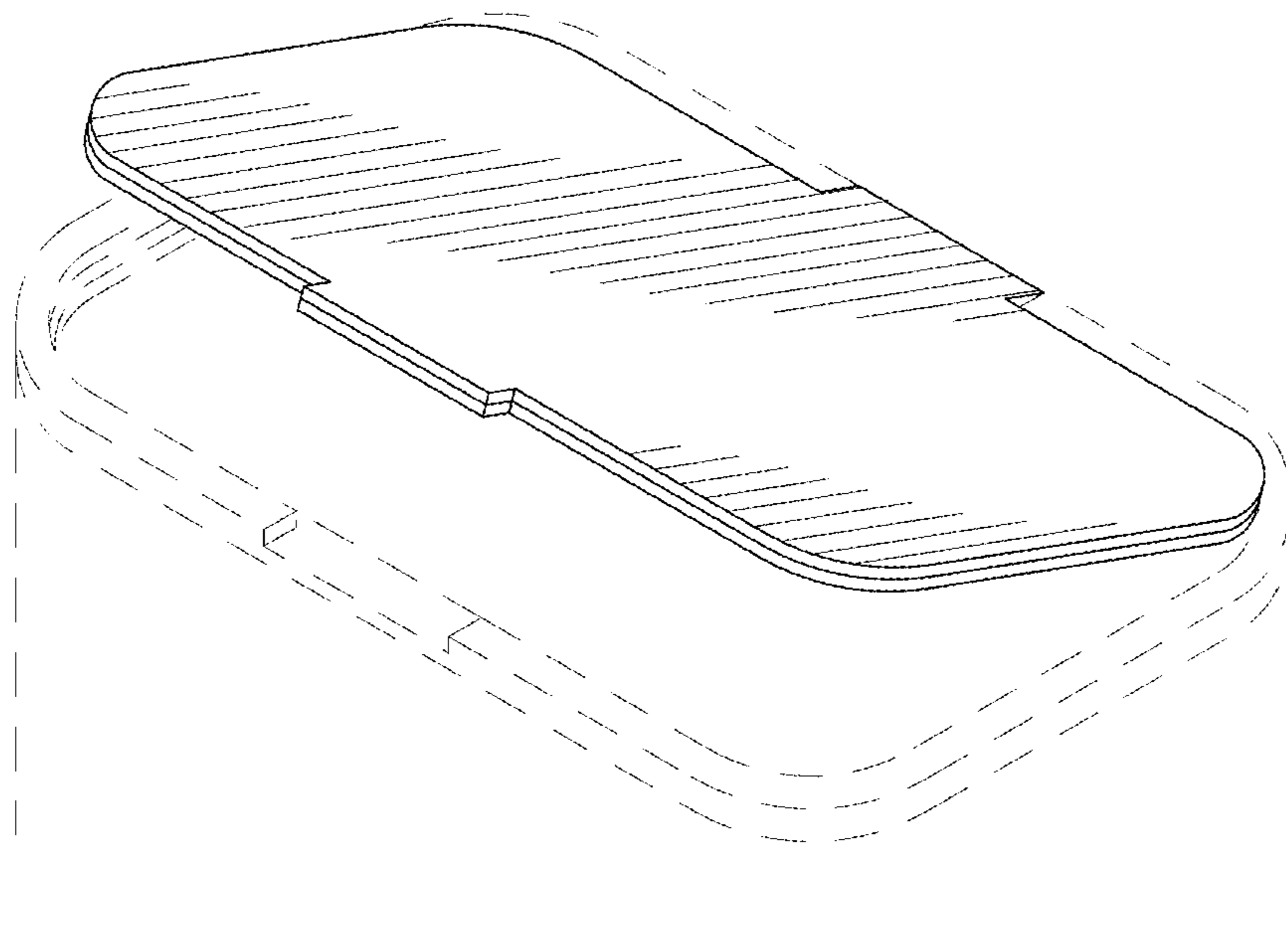


FIG. 10



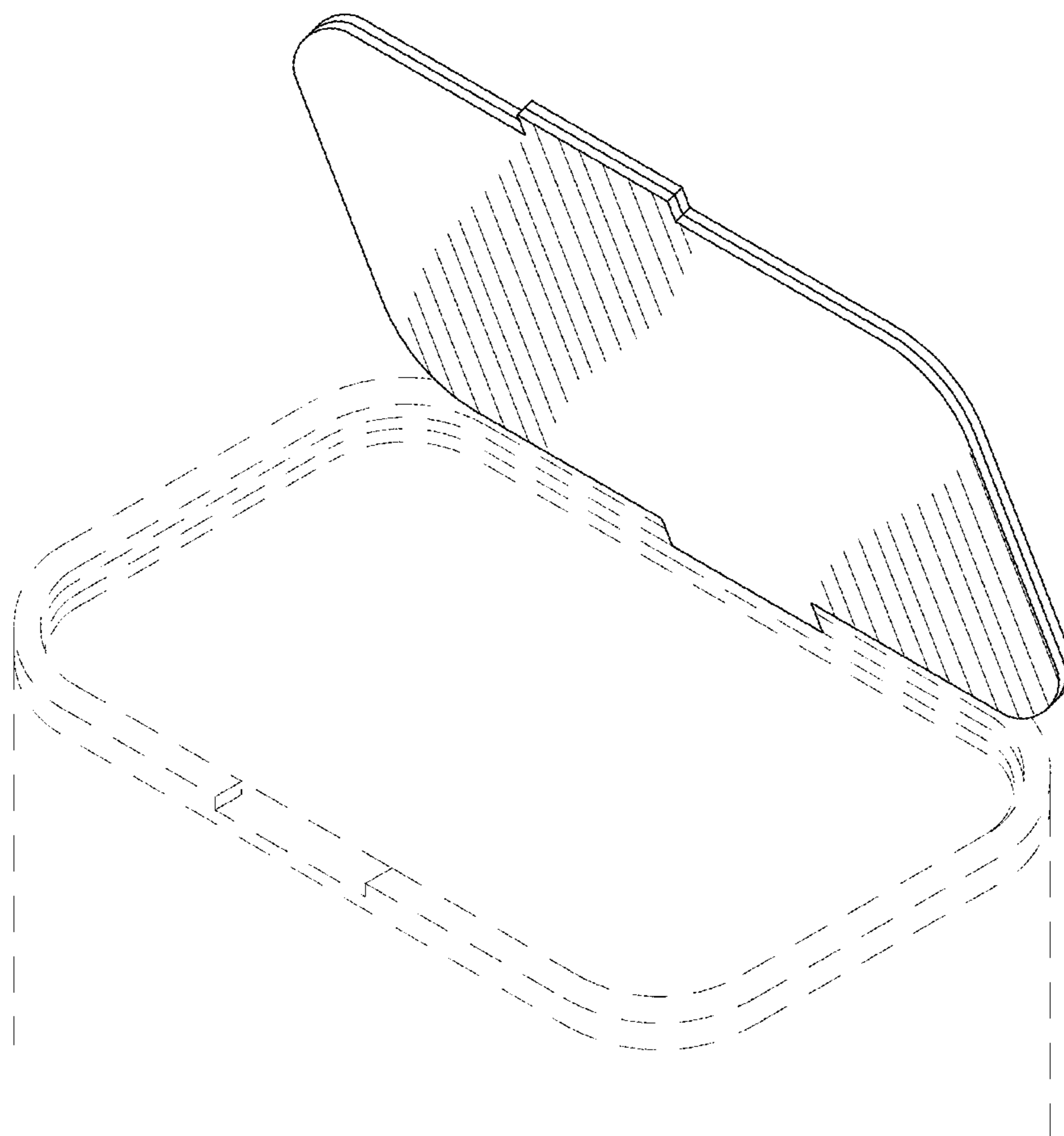


FIG. 11

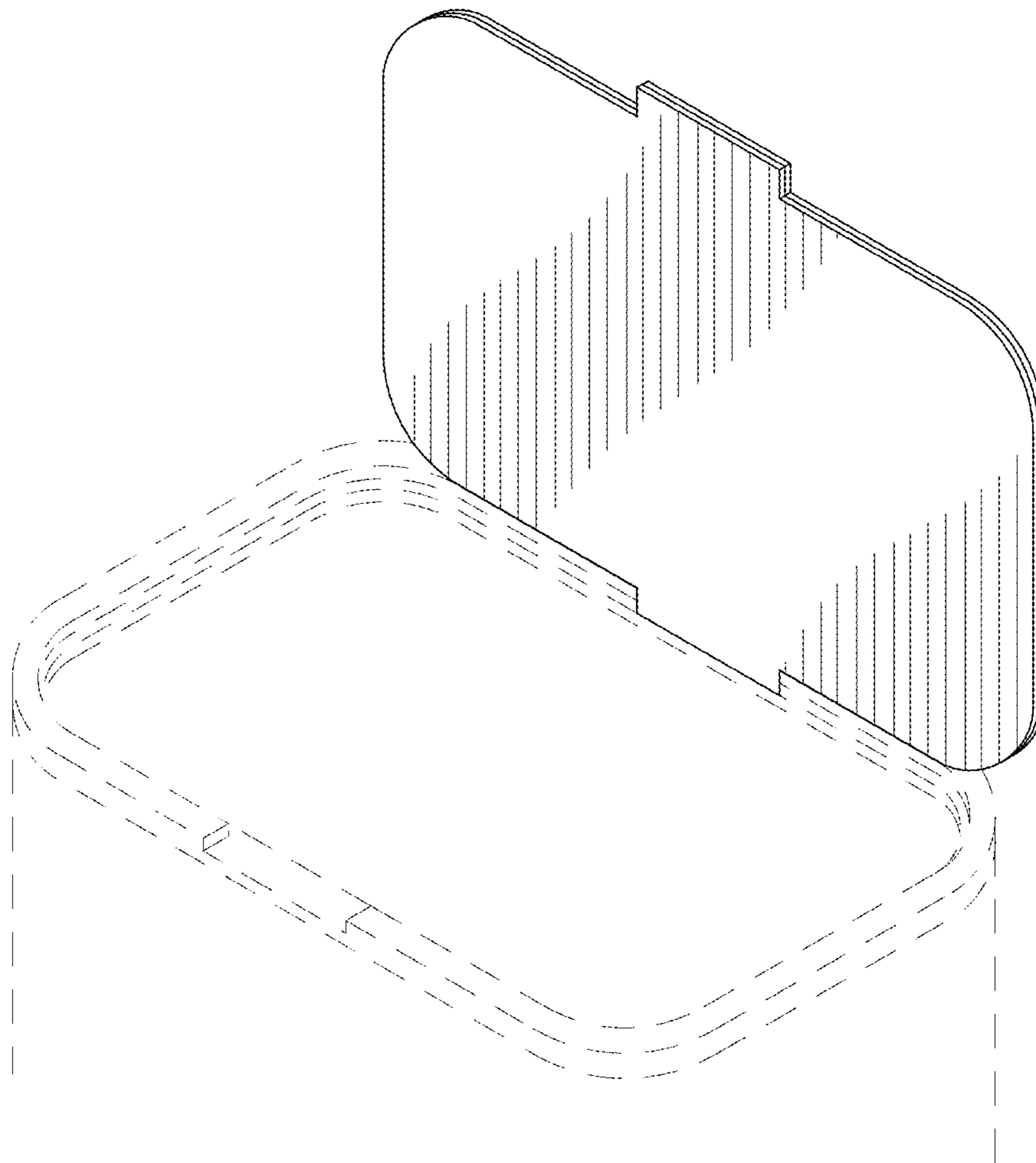


FIG. 12