



US00D875399S

(12) **United States Design Patent**
Kim

(10) **Patent No.:** **US D875,399 S**

(45) **Date of Patent:** **** Feb. 18, 2020**

(54) **CASE WITH LATCH ATTACHED**

D668,457 S * 10/2012 Mimplitch, III D3/294
D695,015 S * 12/2013 Robinson D3/318

(71) Applicant: **Il Han Kim**, Daegu (KR)

* cited by examiner

(72) Inventor: **Il Han Kim**, Daegu (KR)

Primary Examiner — Holly H Baynham

(**) Term: **15 Years**

(74) *Attorney, Agent, or Firm* — Paratus Law Group, PLLC

(21) Appl. No.: **29/647,034**

(22) Filed: **May 9, 2018**

(57) **CLAIM**

The ornamental design for a case with latch attached, as shown and described.

(30) **Foreign Application Priority Data**

Nov. 9, 2017 (KR) 30-2017-0052251

DESCRIPTION

(51) **LOC (12) Cl.** **03-01**

FIG. 1 is a perspective view of a case with latch attached showing the claimed design;

(52) **U.S. Cl.**
USPC **D3/318**

FIG. 2 is a front view thereof;

(58) **Field of Classification Search**
USPC D3/318, 294
CPC A45C 11/26; A45C 11/182; A45F 5/10;
A45F 5/14

FIG. 3 is a rear view thereof;

FIG. 4 is a left side view thereof;

FIG. 5 is a right side view thereof;

FIG. 6 is a top view thereof;

FIG. 7 is a bottom view thereof; and,

FIG. 8 is a reference view showing the claimed design in use.

See application file for complete search history.

The broken lines showing a case are for the purposes of illustrating environment and form no part of the claimed design. The dash-dot lines in FIG. 7 illustrate the bounds of the claimed design.

(56) **References Cited**

U.S. PATENT DOCUMENTS

D485,069 S * 1/2004 Parker D3/318
7,401,698 B2 * 7/2008 Dost B25H 3/02
206/349

1 Claim, 6 Drawing Sheets

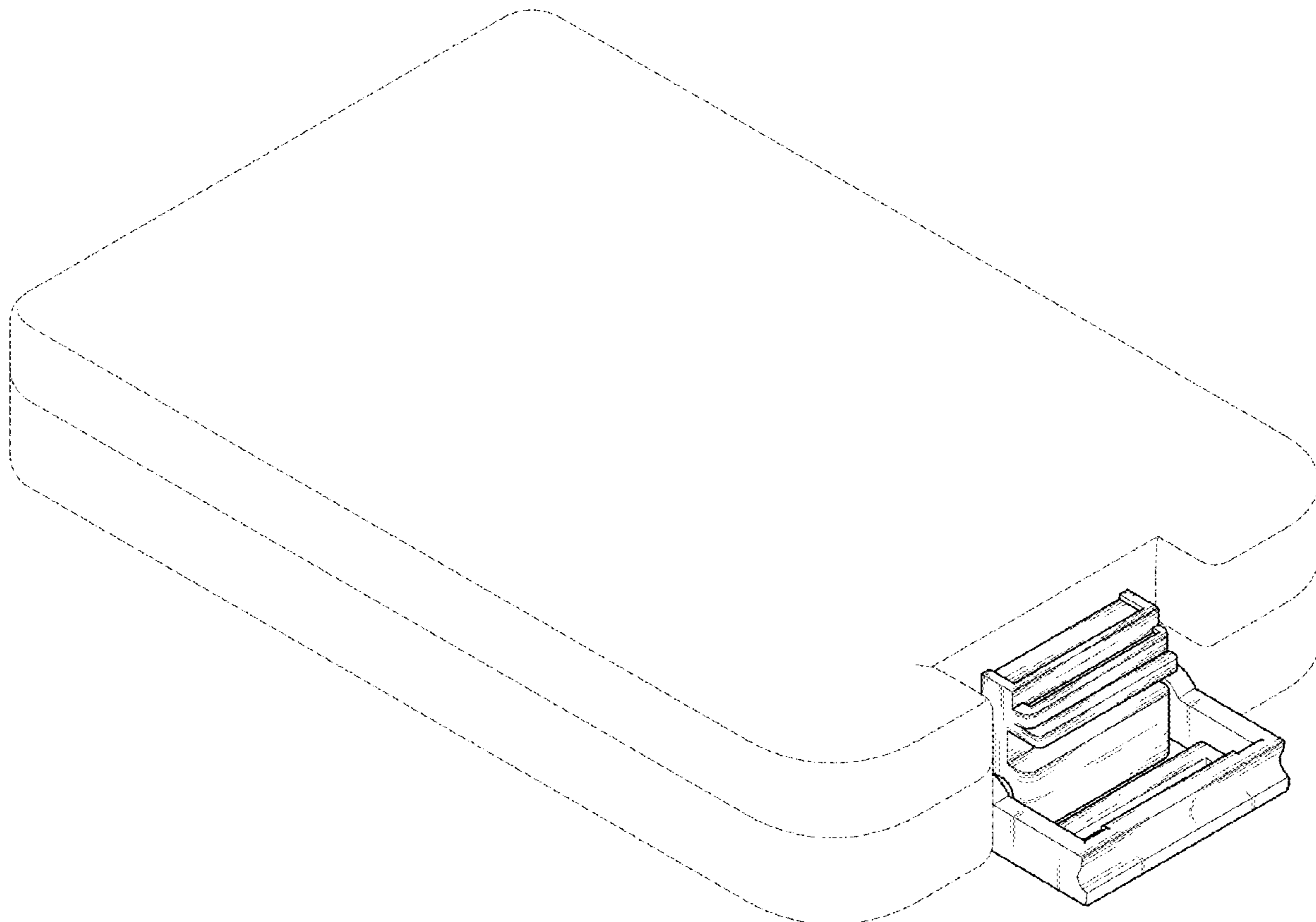


FIG. 1

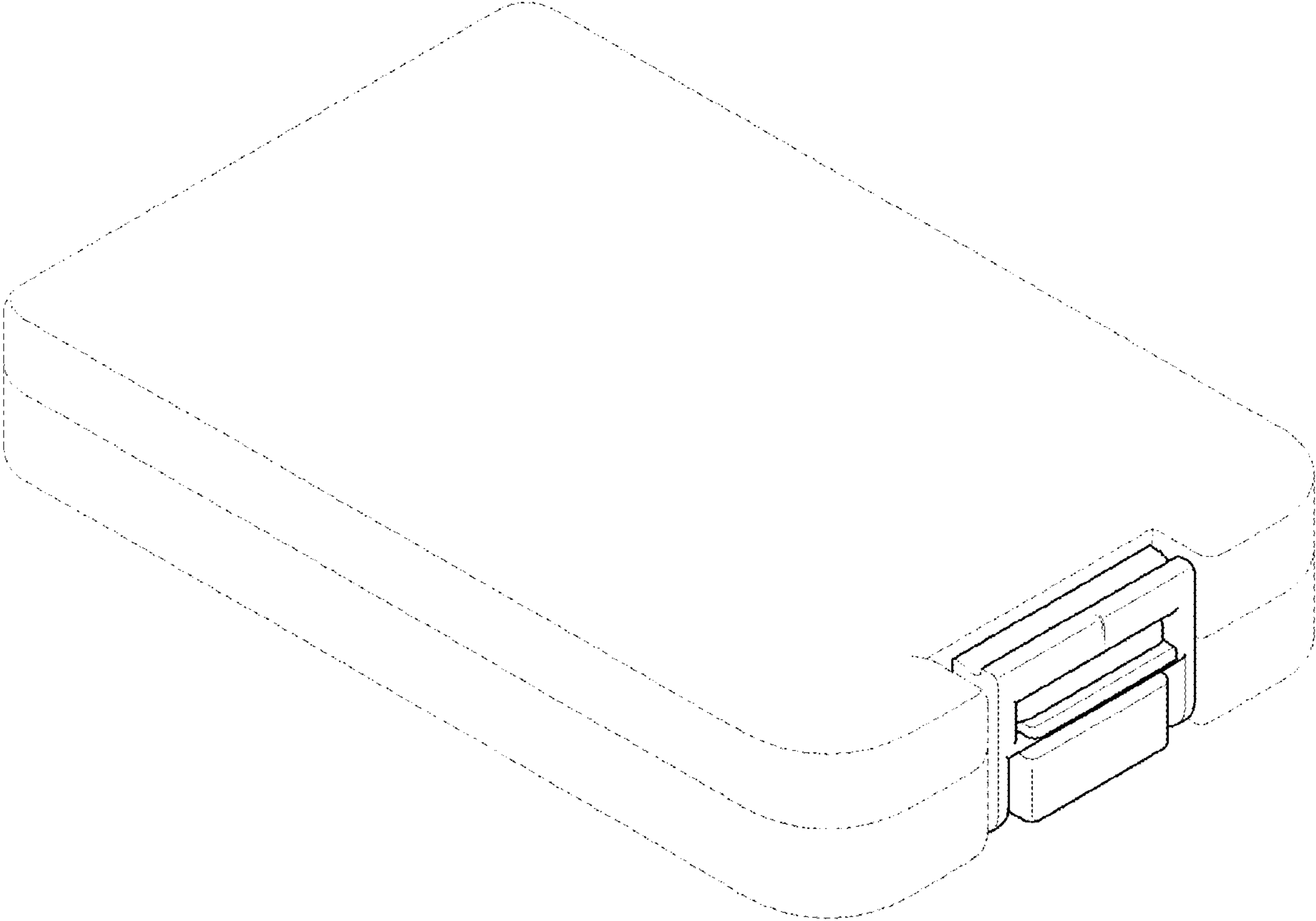


FIG. 2

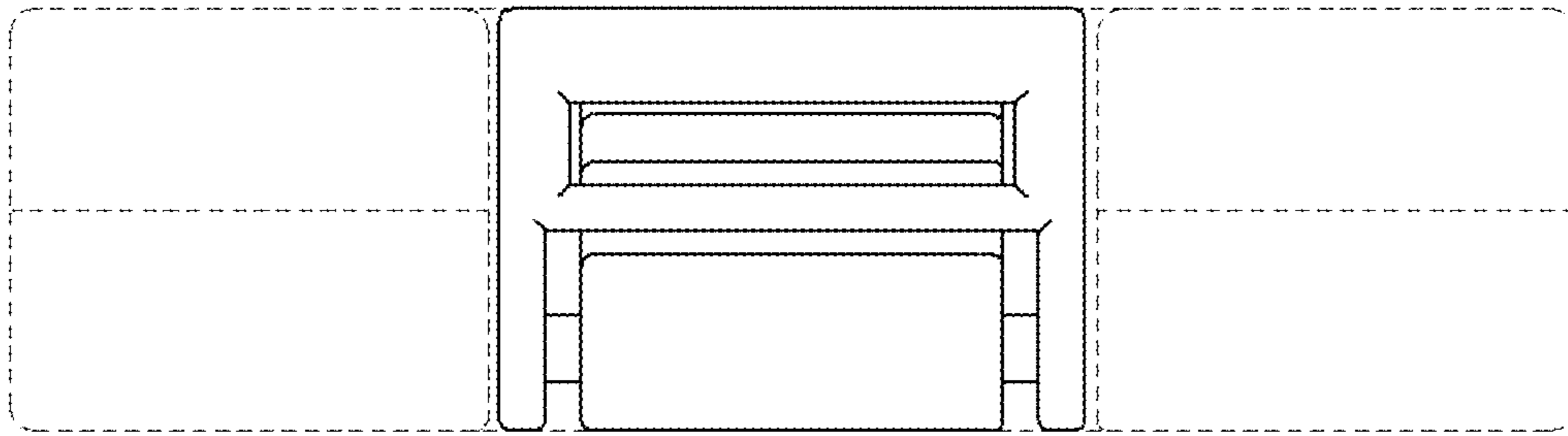


FIG. 3

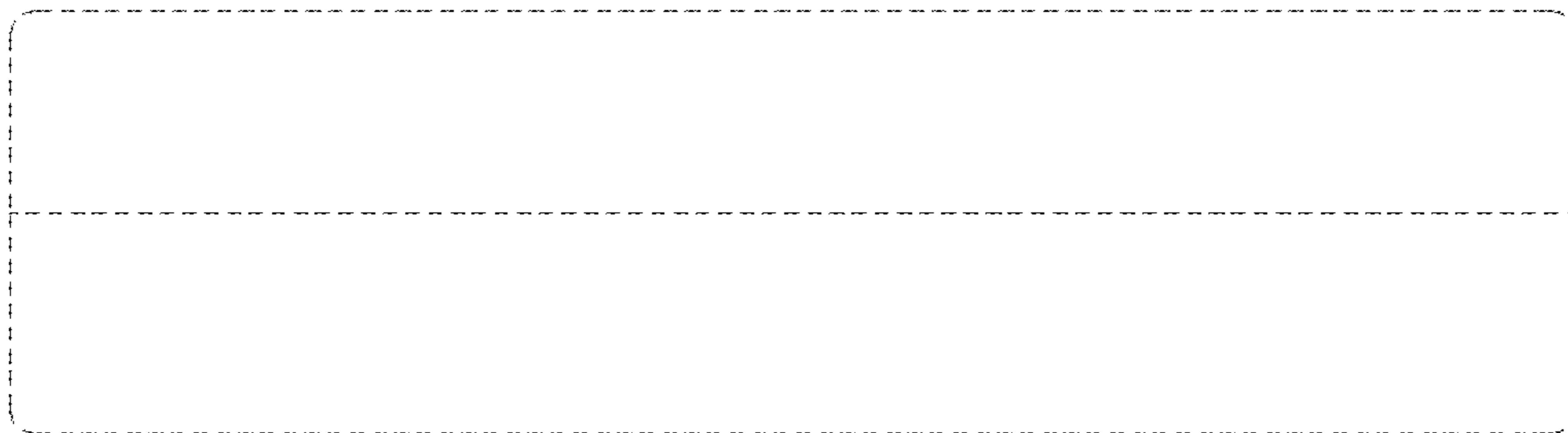


FIG. 4

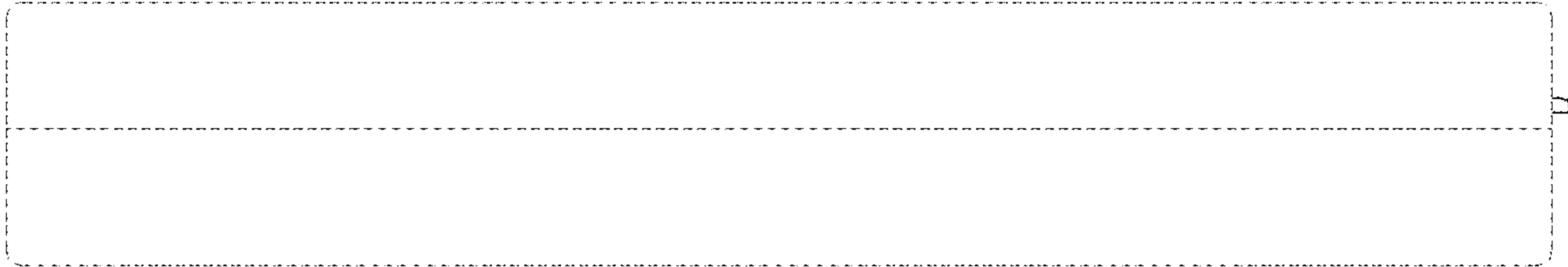


FIG. 5



FIG. 6

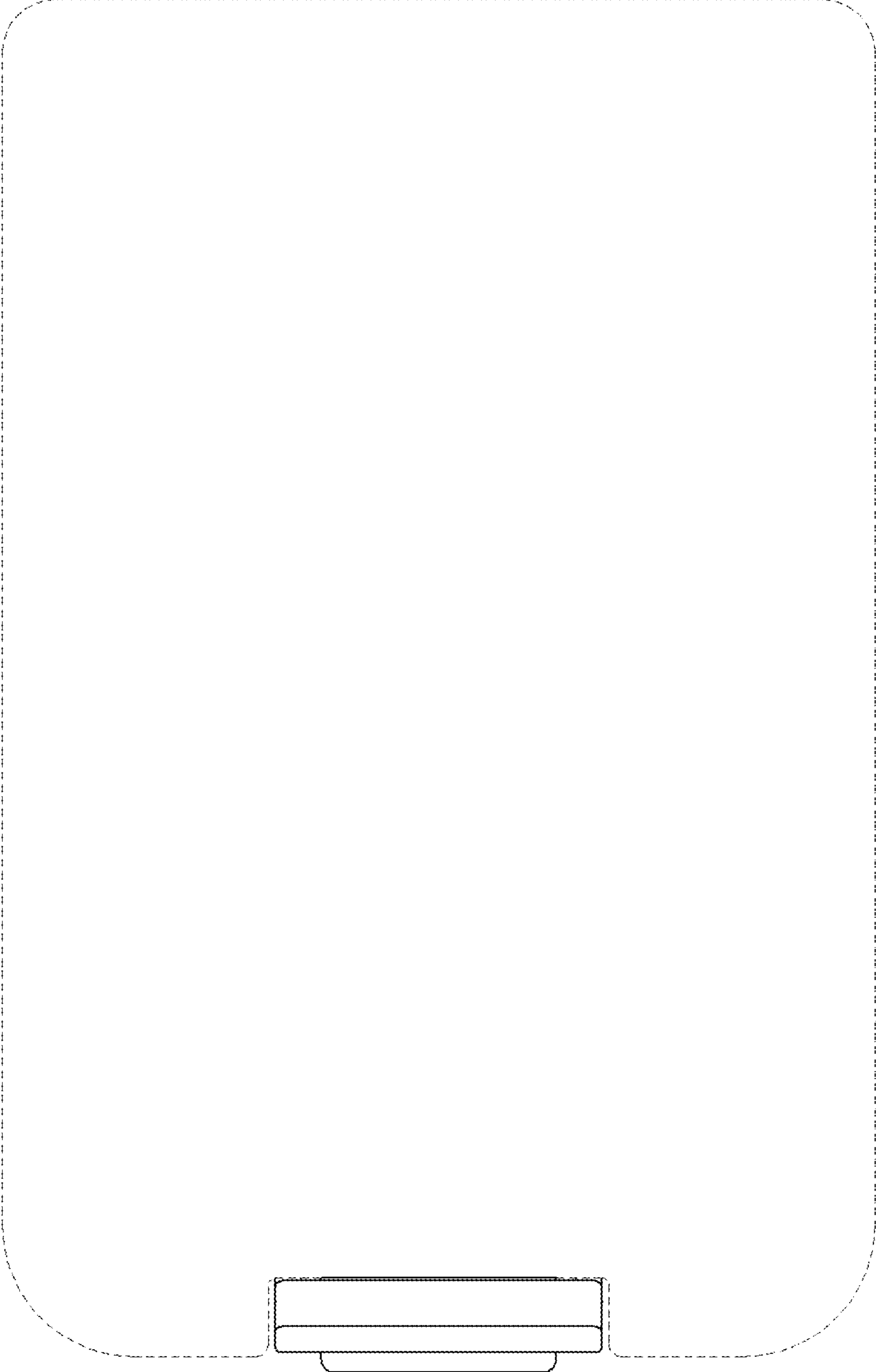


FIG. 7

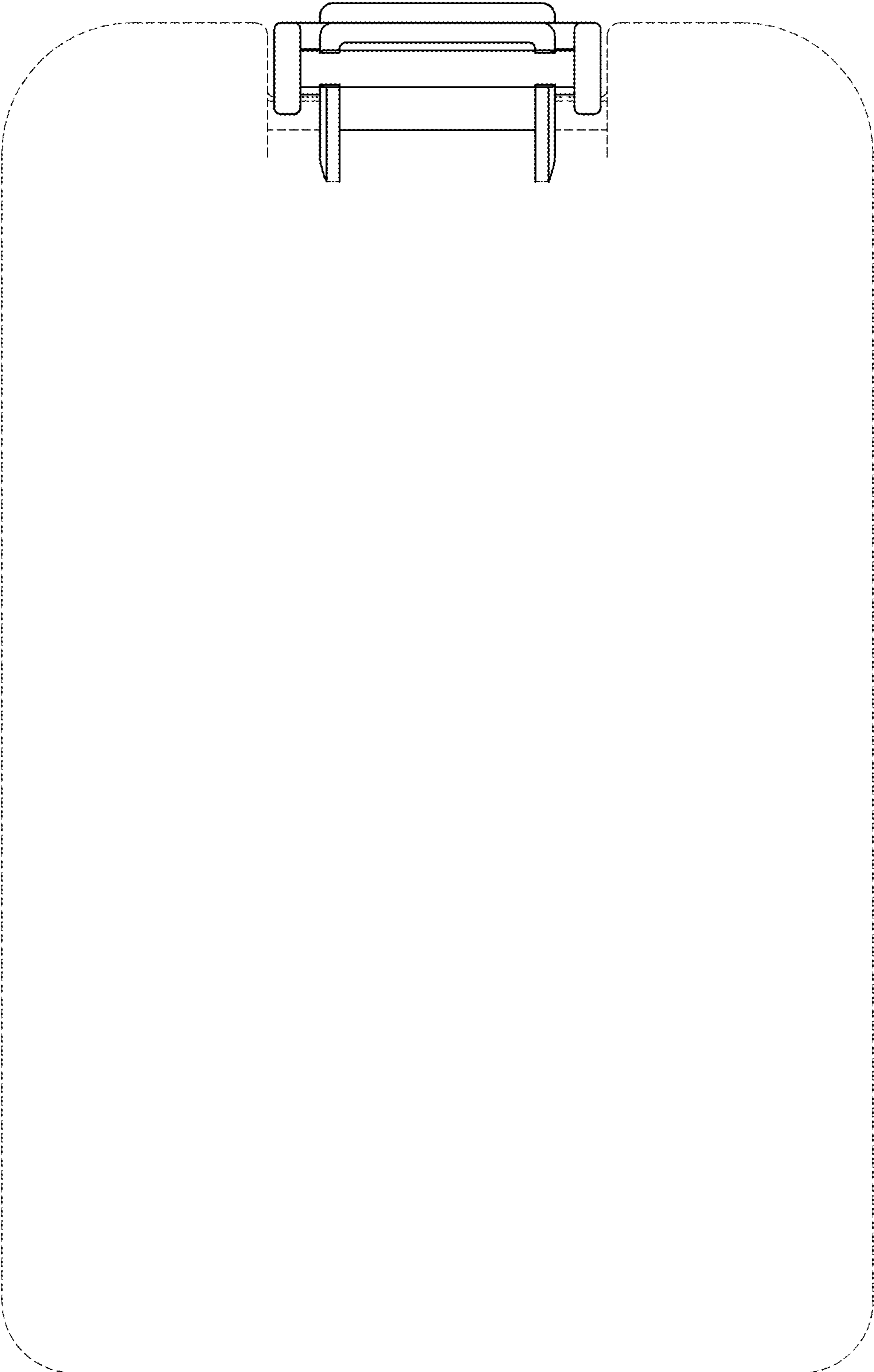


FIG. 8

