



US00D875396S

(12) **United States Design Patent**  
**Madigan**

(10) **Patent No.:** **US D875,396 S**

(45) **Date of Patent:** **\*\* Feb. 18, 2020**

(54) **MEMORY BOX**

(71) Applicant: **Lorna Madigan**, Coaldale (CA)

(72) Inventor: **Lorna Madigan**, Coaldale (CA)

(\*\*) Term: **15 Years**

(21) Appl. No.: **29/611,661**

(22) Filed: **Jul. 24, 2017**

(51) **LOC (12) Cl.** ..... **03-01**

(52) **U.S. Cl.**  
USPC ..... **D3/302**

(58) **Field of Classification Search**  
USPC ..... D3/273, 274, 275, 276, 281, 284, 292,  
D3/294, 295, 296, 297, 299, 905, 901,  
D3/903, 205, 203.1, 279, 282, 242, 301,  
D3/302; D9/423  
CPC .. A45C 5/00; A45C 5/04; A45C 11/00; A45C  
11/16

See application file for complete search history.

(56) **References Cited**

**U.S. PATENT DOCUMENTS**

D284,254 S *	6/1986	Carlson	.....	D3/302
4,717,070 A *	1/1988	Taub	.....	B65D 5/685 229/117.16
4,955,478 A *	9/1990	Rau	.....	B25H 3/003 16/221
D314,273 S *	2/1991	Minneman	.....	D3/262
D492,194 S *	6/2004	Kim	.....	D9/757
D493,618 S *	8/2004	DeCarlo	.....	D3/283
D494,758 S *	8/2004	DeCarlo	.....	D3/283

D500,205 S *	12/2004	DeCarlo	.....	D3/273
D518,637 S *	4/2006	DeCarlo	.....	D3/283
D518,957 S *	4/2006	DeCarlo	.....	D3/302
D529,622 S *	10/2006	Hadjis	.....	D24/229
D584,014 S *	12/2008	Pittman	.....	D30/134
D584,053 S *	1/2009	Abdo	.....	D3/302
D668,047 S *	10/2012	Cenzano	.....	D3/272
D671,742 S *	12/2012	Cenzano	.....	D3/272
D779,295 S *	2/2017	Weernink	.....	D3/302
9,610,680 B2 *	4/2017	Diamond	.....	B25H 3/003
D839,595 S *	2/2019	Asher	.....	D3/295
D851,401 S *	6/2019	Zhang	.....	D3/294

\* cited by examiner

*Primary Examiner* — Holly E Thurman

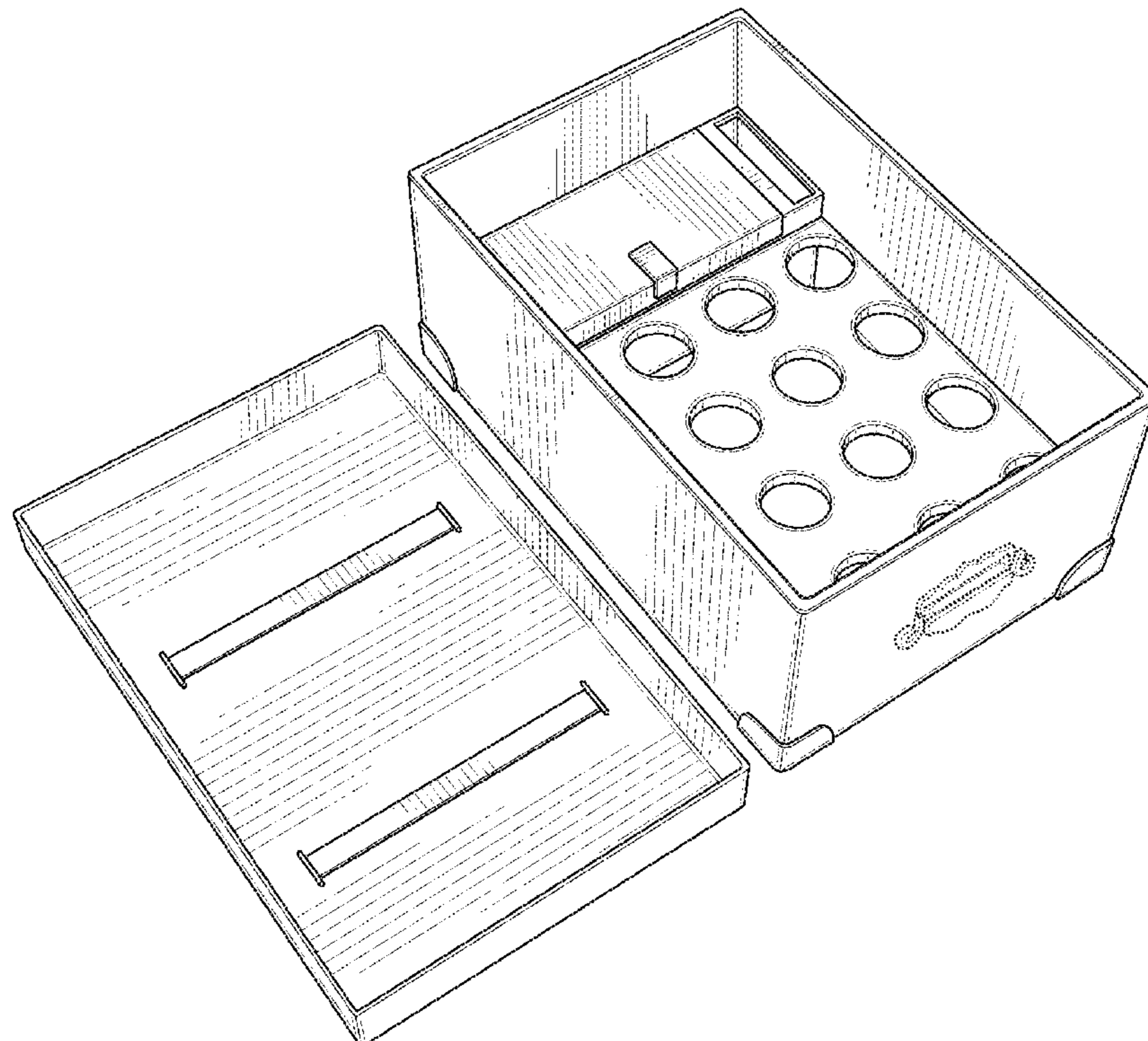
(57) **CLAIM**

The ornamental design for a memory box, as shown and described.

**DESCRIPTION**

FIG. 1 is a perspective view of the present invention.  
FIG. 2 is a top view of the present invention.  
FIG. 3 is a bottom view of the present invention.  
FIG. 4 is a left view of the present invention.  
FIG. 5 is a right view of the present invention.  
FIG. 6 is a front view of the present invention; and,  
FIG. 7 is a rear view of the present invention.  
The broken lines present in the drawings are included for the purpose of illustrating portions of the article which form no part of the claimed design.

**1 Claim, 7 Drawing Sheets**



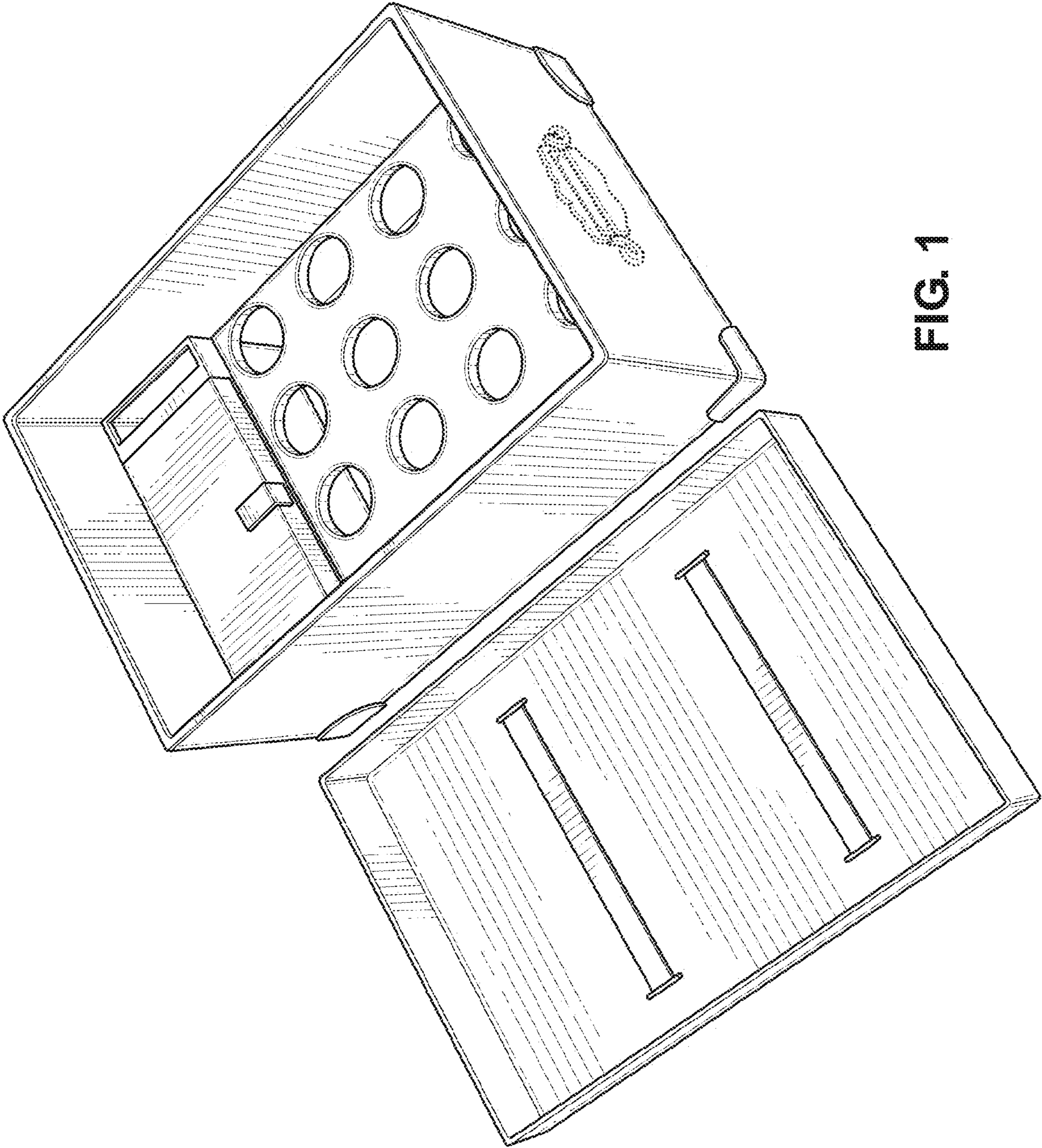


FIG. 1



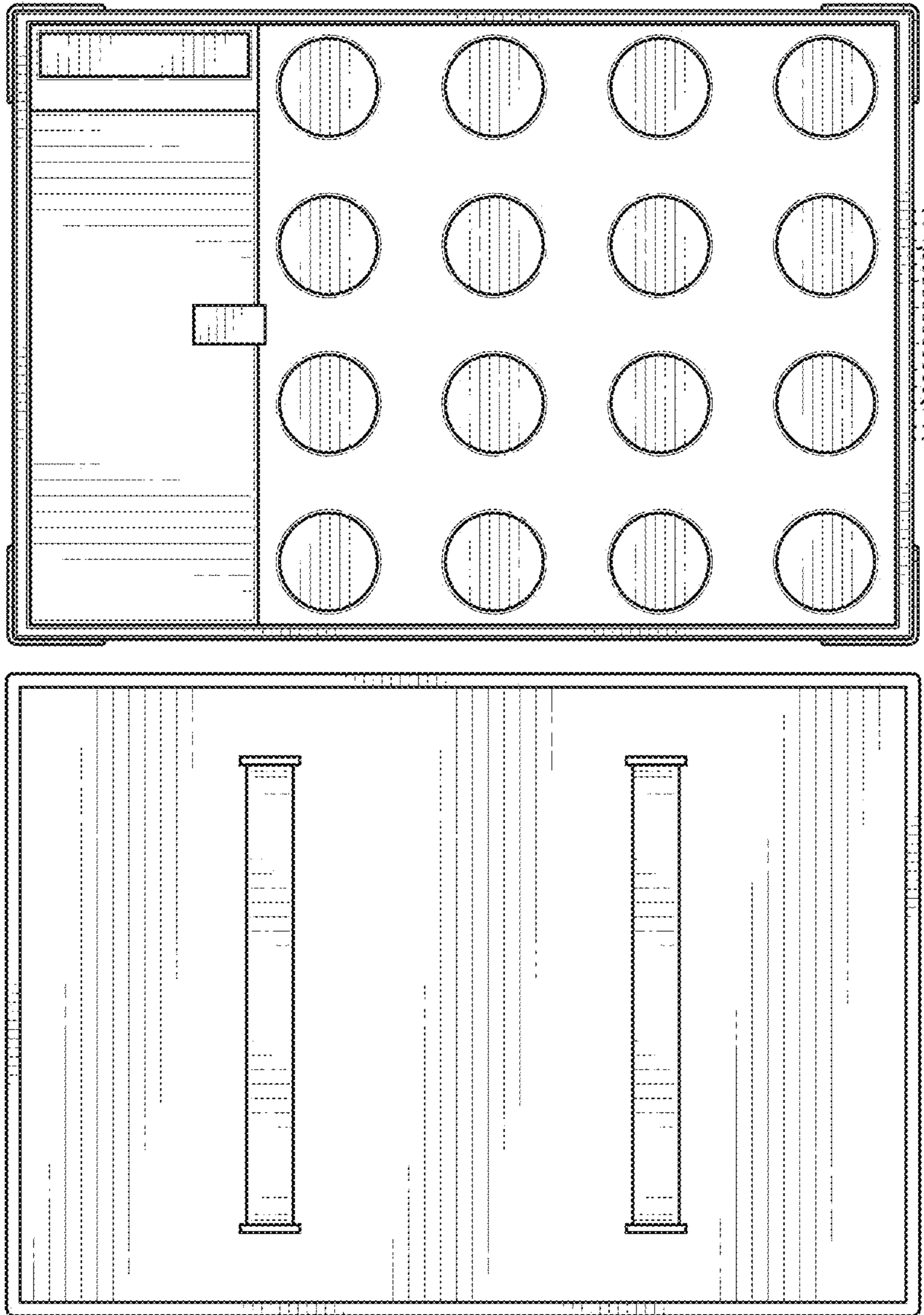


FIG. 2

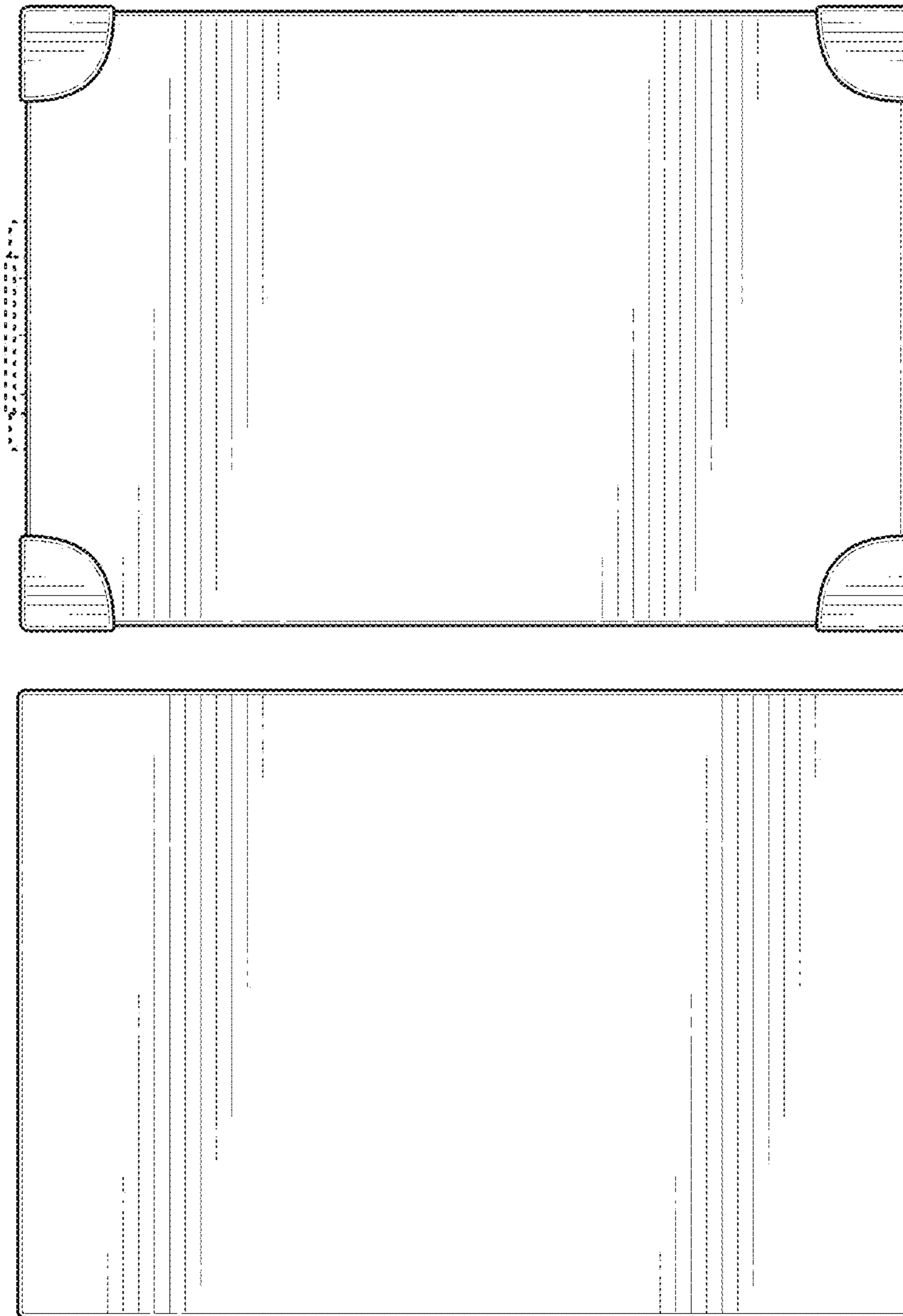


FIG. 3

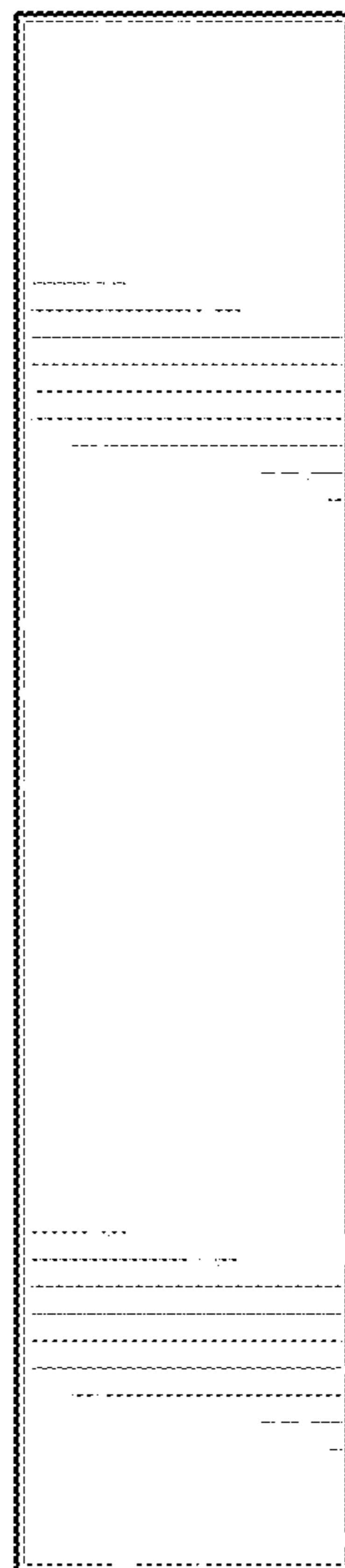
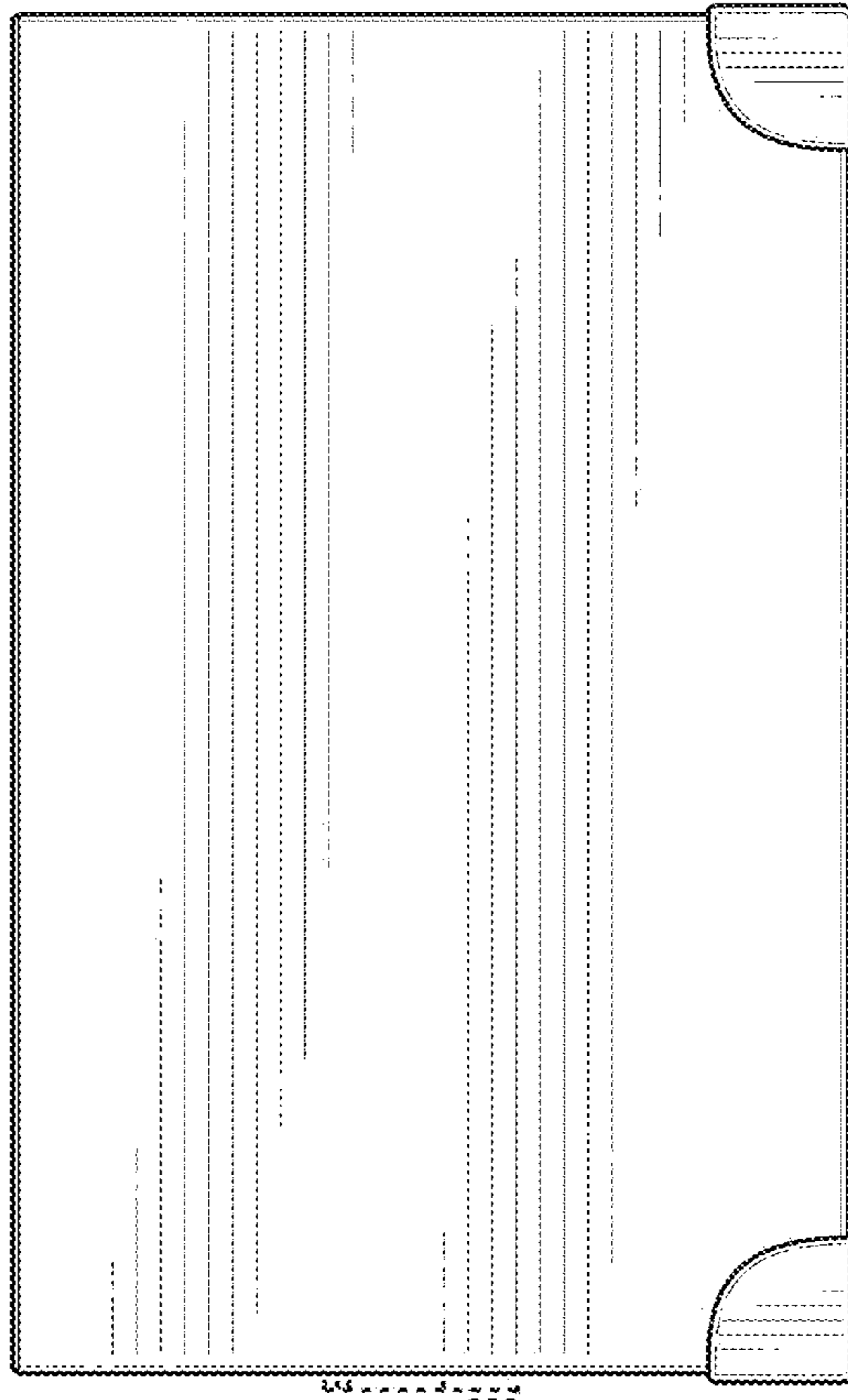


FIG. 4

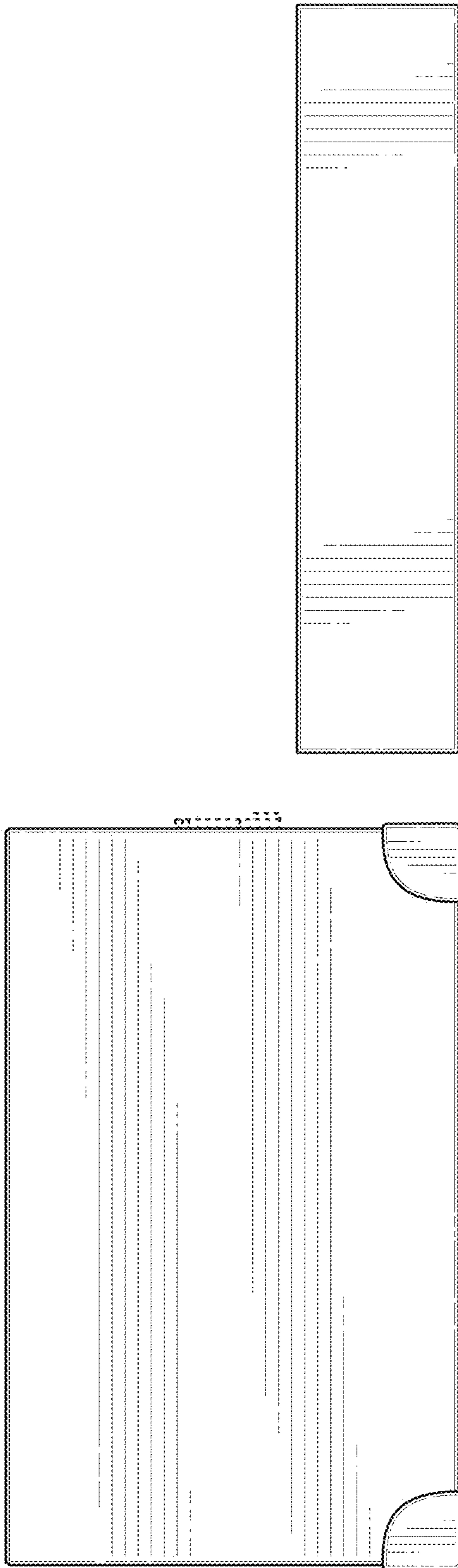


FIG. 5

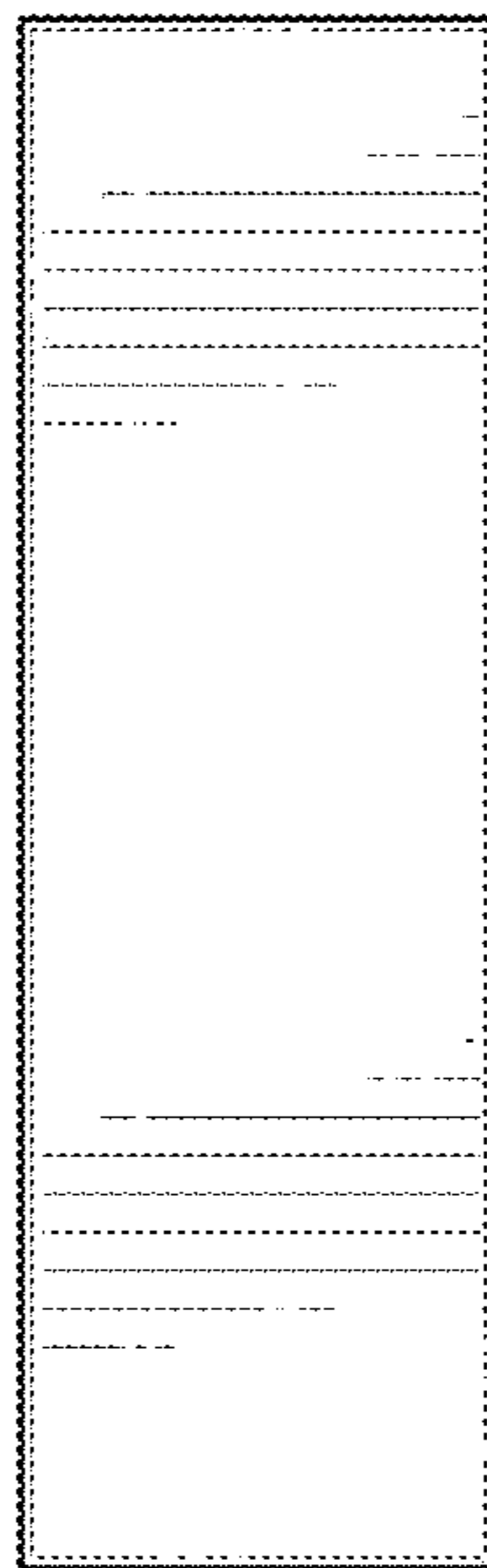
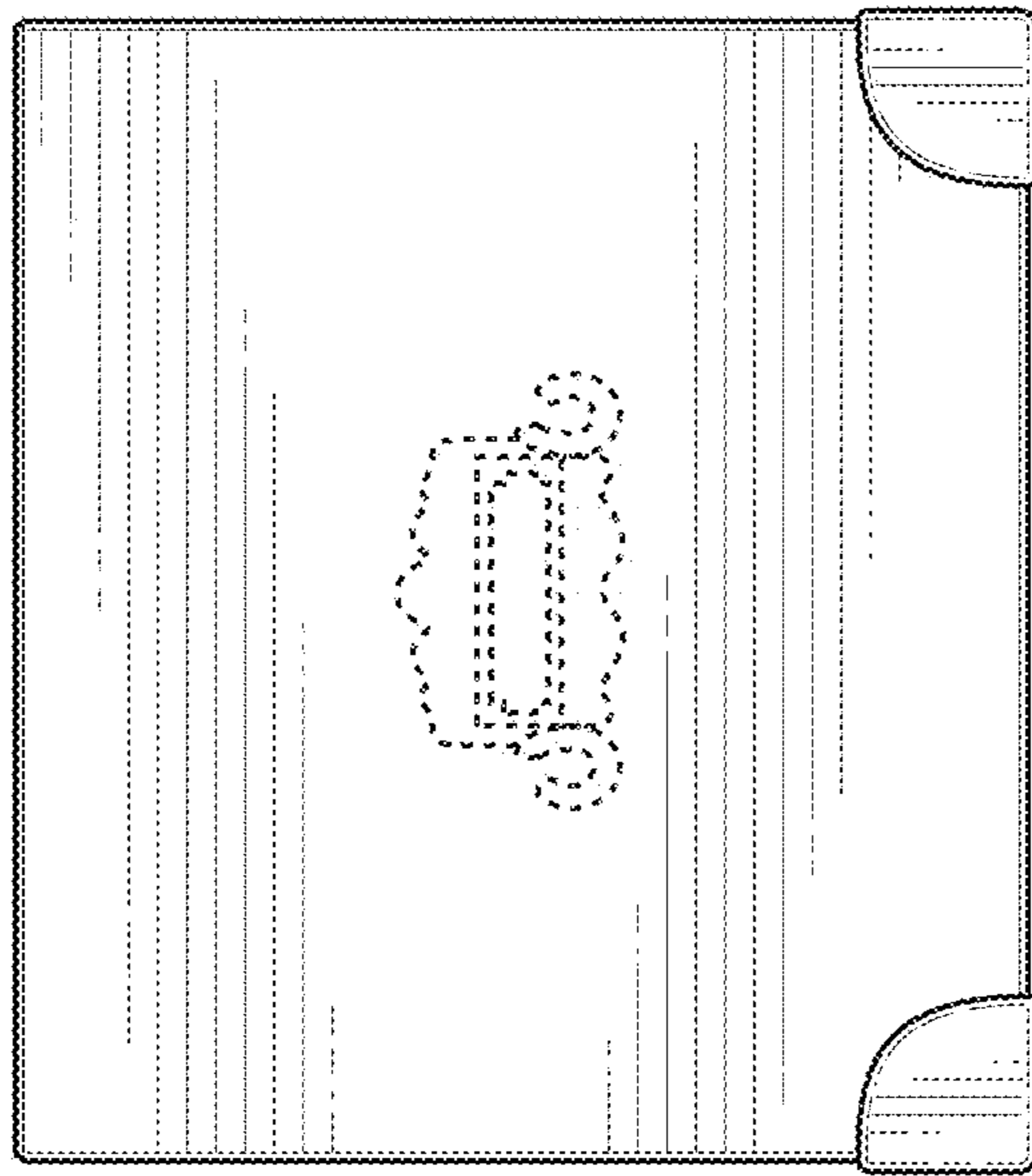


FIG. 6

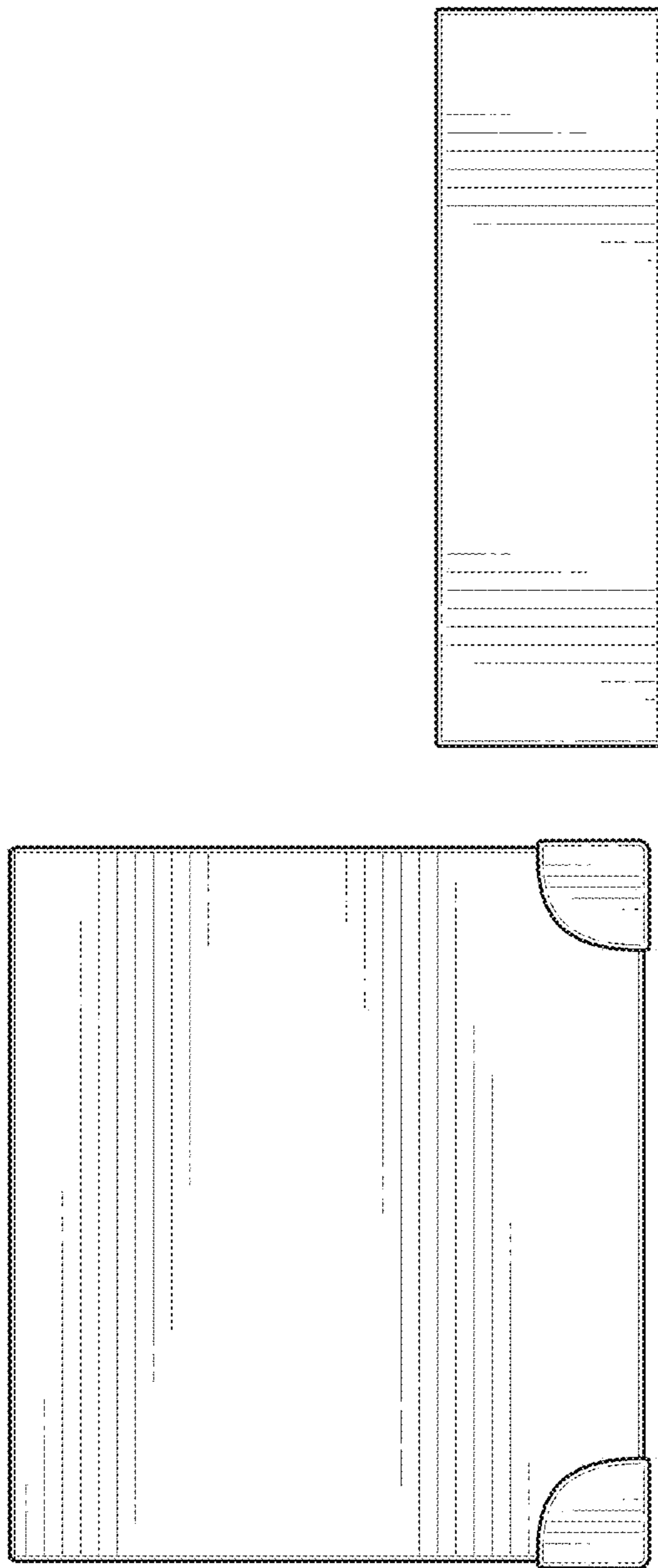


FIG. 7