



US00D875394S

(12) **United States Design Patent**
Komatick

(10) **Patent No.:** **US D875,394 S**

(45) **Date of Patent:** **** Feb. 18, 2020**

(54) **COMPRESSIBLE CONTAINER**

6,041,458 A 3/2000 Vickers et al.
D429,448 S * 8/2000 Nottingham D3/276
D434,890 S * 12/2000 Cooper D34/1

(71) Applicant: **Christopher Komatick**, East Norriton,
PA (US)

(Continued)

(72) Inventor: **Christopher Komatick**, East Norriton,
PA (US)

OTHER PUBLICATIONS

(**) Term: **15 Years**

Amazon, "Outdoor Research Ultralight Compression Sack 8L,
Lemongrass, 1Size", Earliest question posted Oct. 21, 2017. (<https://www.amazon.com/Outdoor-Research-Ultralight-Compr-Lemongrass/dp/B00ATNI6L8>) (Year: 2017).*

(Continued)

(21) Appl. No.: **29/659,923**

(22) Filed: **Aug. 14, 2018**

(51) **LOC (12) Cl.** **03-01**

(52) **U.S. Cl.**
USPC **D3/289**; D3/301; D3/902; D6/601

(58) **Field of Classification Search**
USPC D7/605, 607, 608, 387; D3/273, 274,
D3/277, 276, 284, 289, 287, 301, 304,
D3/315, 318, 902, 314; D6/601
CPC .. A45C 5/04; A45C 5/045; A45C 5/08; A45C
11/20; A45C 2200/20; A45C 5/14; A45C
13/02; A45C 15/00; A45C 2003/008;
A45C 3/14; A45C 7/0077; A45C 7/0036;
A45C 9/00; A45C 7/0068; F25D 3/08;
B62B 2202/52; A47G 9/1045; A47B
31/00; A47B 2031/002

See application file for complete search history.

Primary Examiner — April Rivas

(74) *Attorney, Agent, or Firm* — Global Intellectual
Property Agency, LLC; Daniel Boudwin

(57) **CLAIM**

The ornamental design for a compressible container, as
shown and described.

DESCRIPTION

FIG. 1 shows a perspective view of a compressible con-
tainer;

FIG. 2 shows a front view of the compressible container;

FIG. 3 shows a rear view of the compressible container;

FIG. 4 shows a left side view of the compressible container;

FIG. 5 shows a right side view of the compressible con-
tainer;

FIG. 6 shows a top plan view of the compressible container;

FIG. 7 shows a bottom plan view of the compressible
container; and,

FIG. 8 shows a top plan view of the compressible container
with the top shown removed, upside down, and adjacent to
the base of the container.

The shade lines in the Figures show contour and not surface
ornamentation.

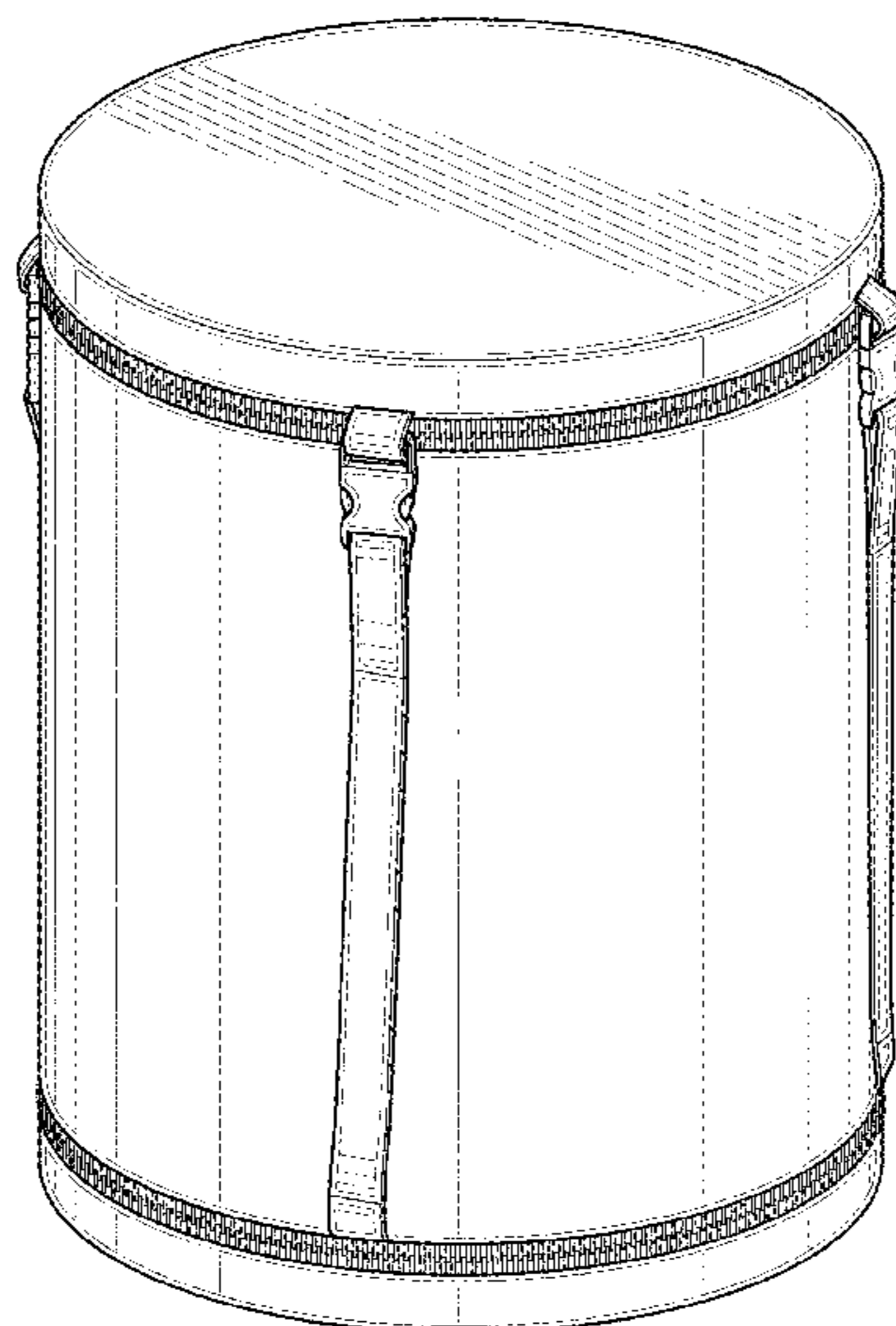
The broken lines illustrate portions of the compressible
container and form no part of the claimed design.

(56) **References Cited**

U.S. PATENT DOCUMENTS

2,490,222 A * 12/1949 Lowe A45C 5/08
190/119
4,200,942 A 5/1980 Case
4,222,468 A 9/1980 Fries
D307,811 S * 5/1990 Branco D3/289
5,457,829 A 10/1995 Elliott
D406,486 S * 3/1999 Ogilvie D6/596
5,906,413 A 5/1999 Yang
5,918,332 A 7/1999 Dees
6,023,797 A 2/2000 Brumfield

1 Claim, 5 Drawing Sheets



(56)

References Cited

U.S. PATENT DOCUMENTS

6,223,367 B1 * 5/2001 French A47G 9/1045
383/4
6,493,891 B1 * 12/2002 Livingston A47G 9/1045
150/110
D482,923 S * 12/2003 Gaines D6/601
D494,128 S * 8/2004 Berger D12/416
6,951,038 B1 10/2005 Ganoe
7,131,156 B1 11/2006 Walker-Craft
7,677,271 B2 3/2010 Boettner et al.
7,962,984 B2 6/2011 Popp
8,205,282 B2 6/2012 Brogan et al.
D671,372 S * 11/2012 Zou D7/608
8,321,978 B1 12/2012 Fulton
8,672,401 B2 3/2014 Schreiber
D711,689 S * 8/2014 Rice D7/607
D773,809 S * 12/2016 Lieser D3/232
D784,731 S * 4/2017 Pearce D6/601
D786,555 S * 5/2017 Brungraber D3/284
9,833,087 B1 12/2017 Richardson
D815,460 S 4/2018 Beyda
D822,995 S * 7/2018 Whitley A45C 7/005
D3/301
D836,911 S * 1/2019 Soto-Camacho D3/304
D853,725 S * 7/2019 Soto-Camacho D3/304
2002/0030052 A1 * 3/2002 Joo-Tai A45C 7/0077
220/9.2
2003/0015528 A1 * 1/2003 Schneider A45C 7/0077
220/9.2

2006/0157366 A1 * 7/2006 Jamie A45C 5/08
206/389
2008/0172792 A1 * 7/2008 Dreessen A47G 9/1045
5/636
2011/0181081 A1 * 7/2011 Williams A45C 9/00
297/188.09
2015/0113734 A1 4/2015 Arabo
2015/0366382 A1 12/2015 Ostolaza-Torres
2016/0345700 A1 * 12/2016 Amago A45C 13/02
2017/0027346 A1 2/2017 Konigsberg
2017/0164663 A1 6/2017 Korenek et al.
2018/0064269 A1 3/2018 Carlile
2018/0263389 A1 * 9/2018 Lee A47G 9/1045

OTHER PUBLICATIONS

Get a Bag, “Barrel Cooler w/ Insulated Lid—Collapsible—Soft Sided”, Accessed Jul. 25, 2019. (https://www.getabag.com/content-product_info/product_id-3644/round_barrel_expandable_insulated_beverage_cooler_tub.html) (Year: 2019).*

Crooked Brains blog, “Cool and Creative Hidden Safes.”, Posted Nov. 20, 2009. (https://www.crookedbrains.net/2009/11/interesting_20.html) (Year: 2009).*

Morningwood Log Pillow with Secret Pocket; Morningwood Collective; Jul. 16, 2018; <https://www.kickstarter.com/projects/1386561735/morningwood-log-pillow-with-secret-pocket?ref=discovery&ref=discovery&term=pillo>.

* cited by examiner

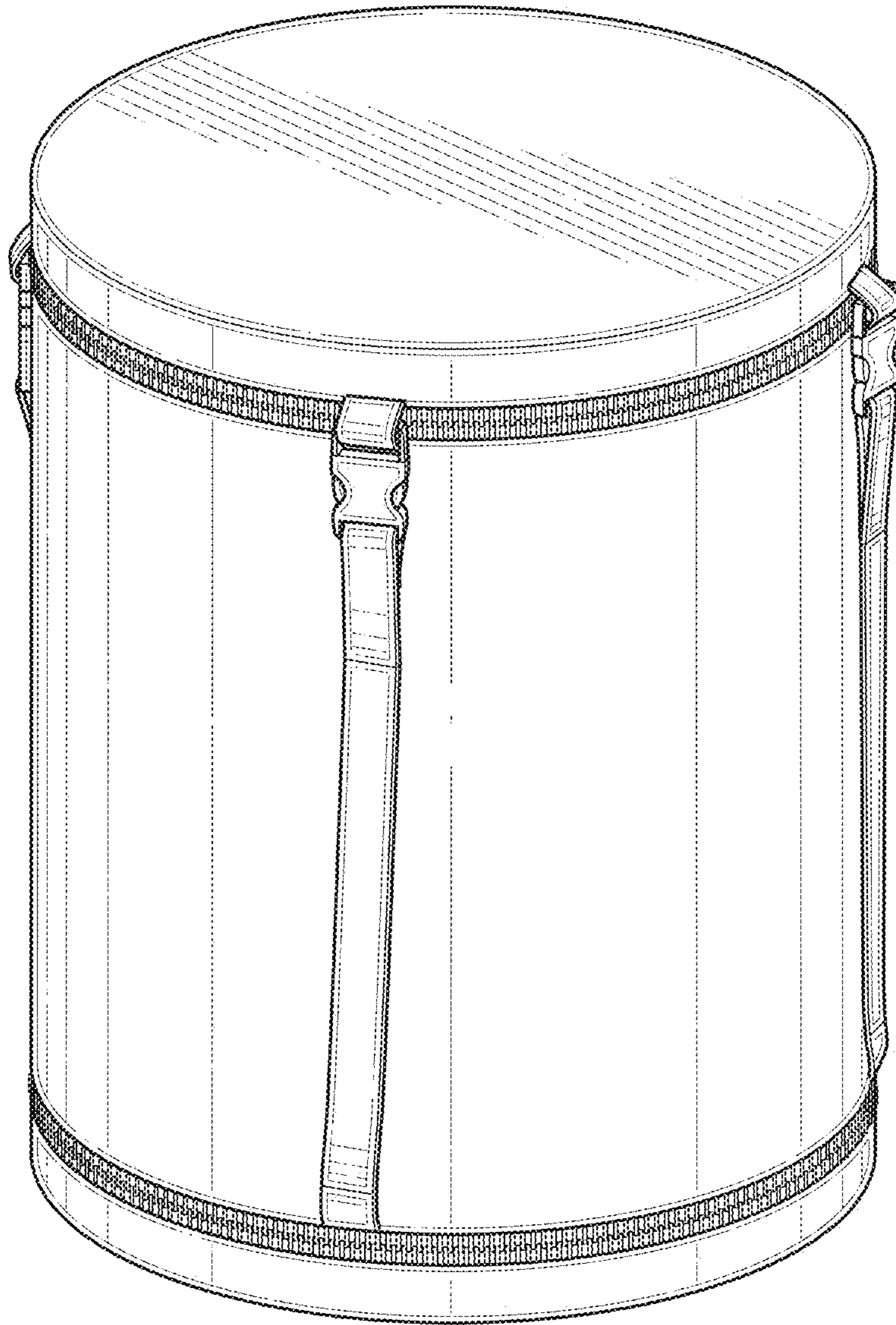


FIG. 1

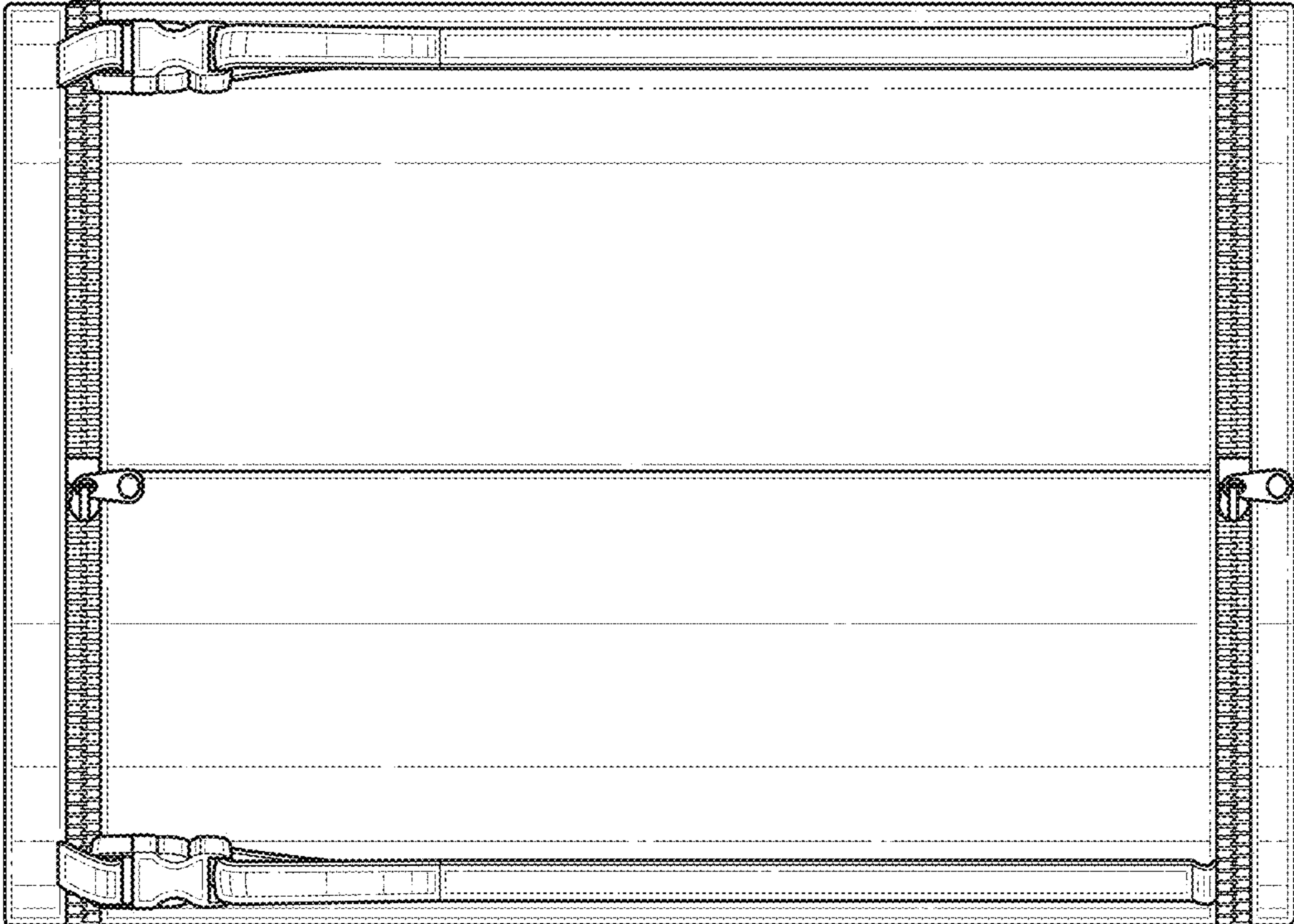


FIG. 3

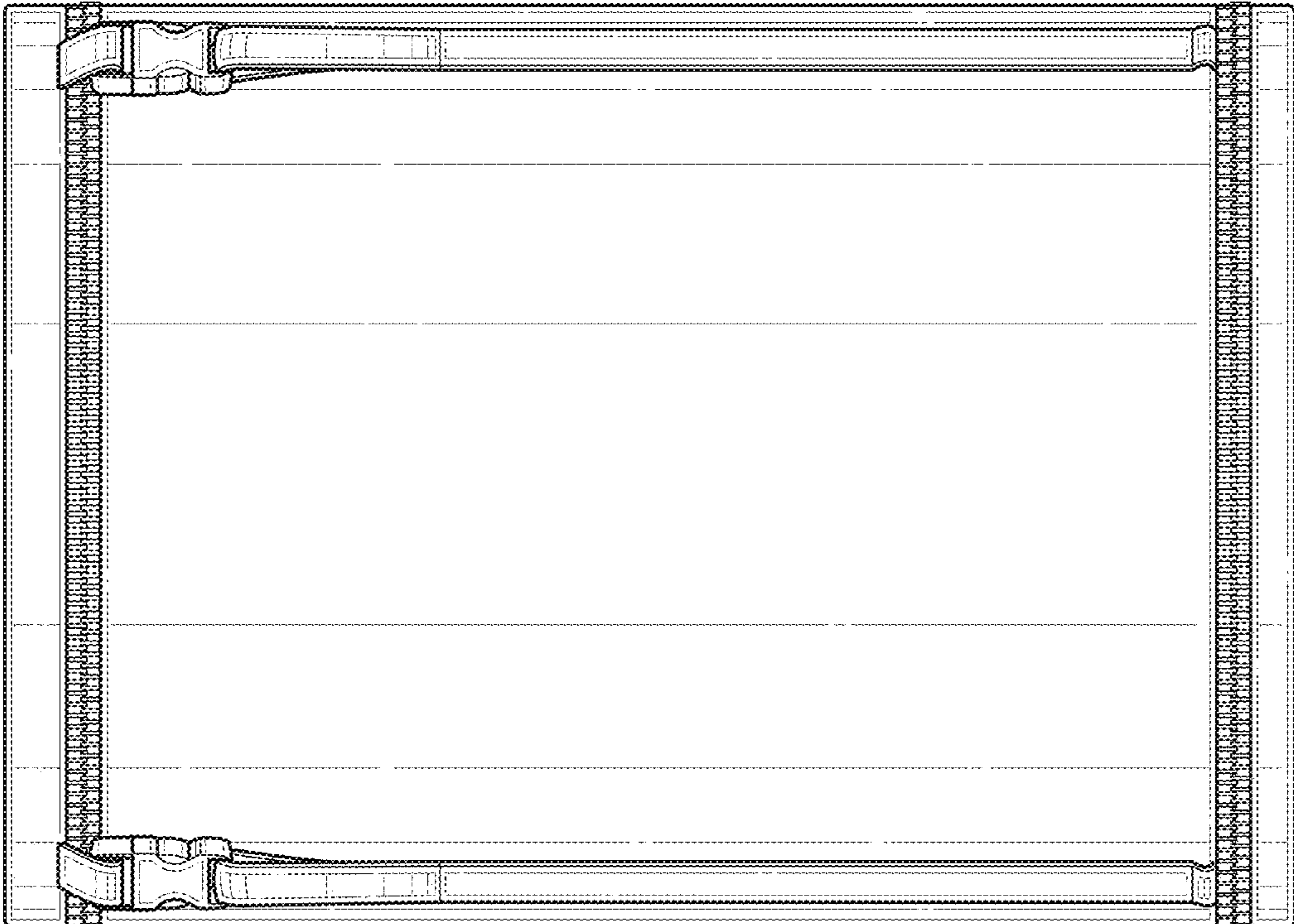


FIG. 2

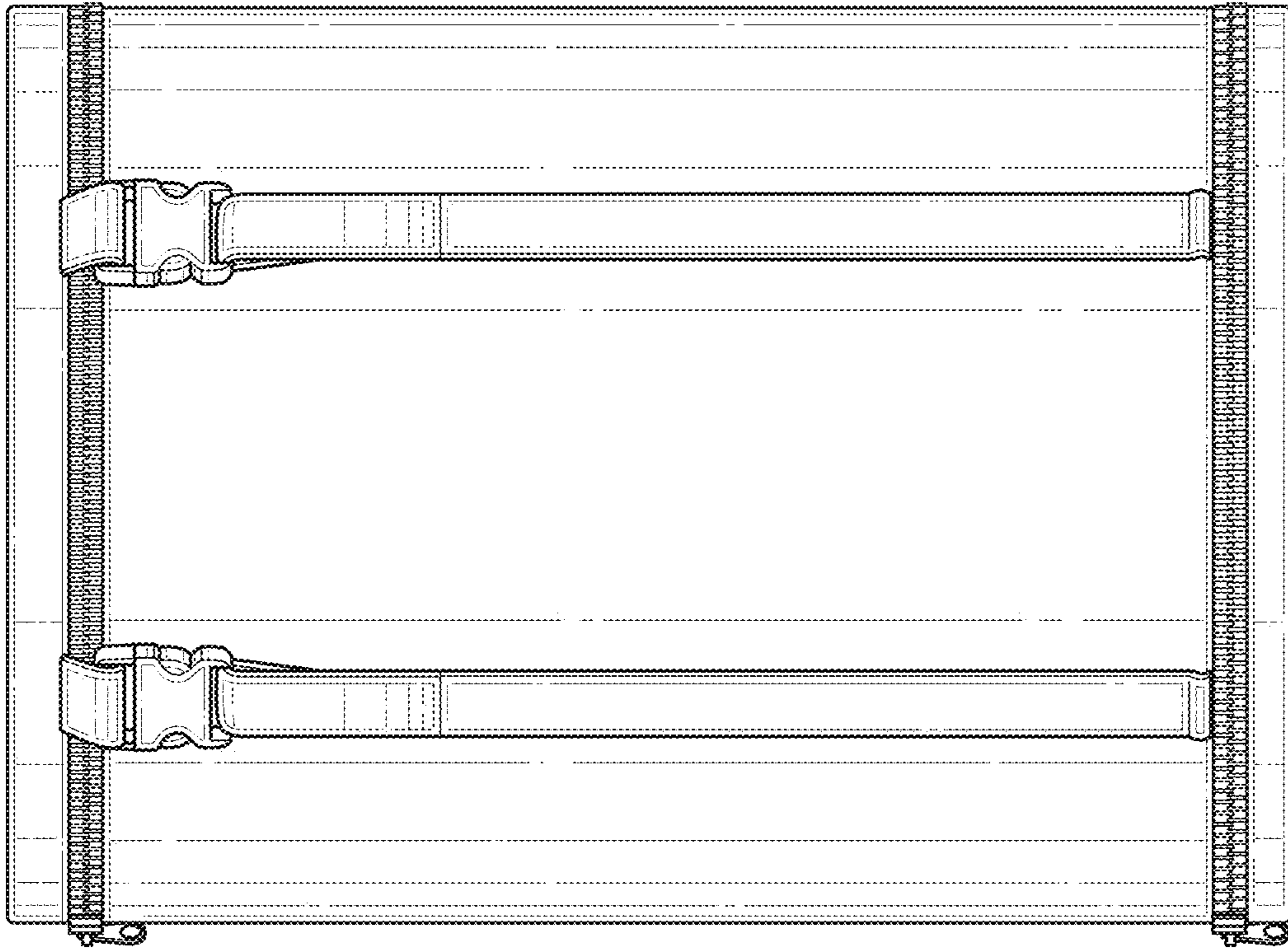


FIG. 5

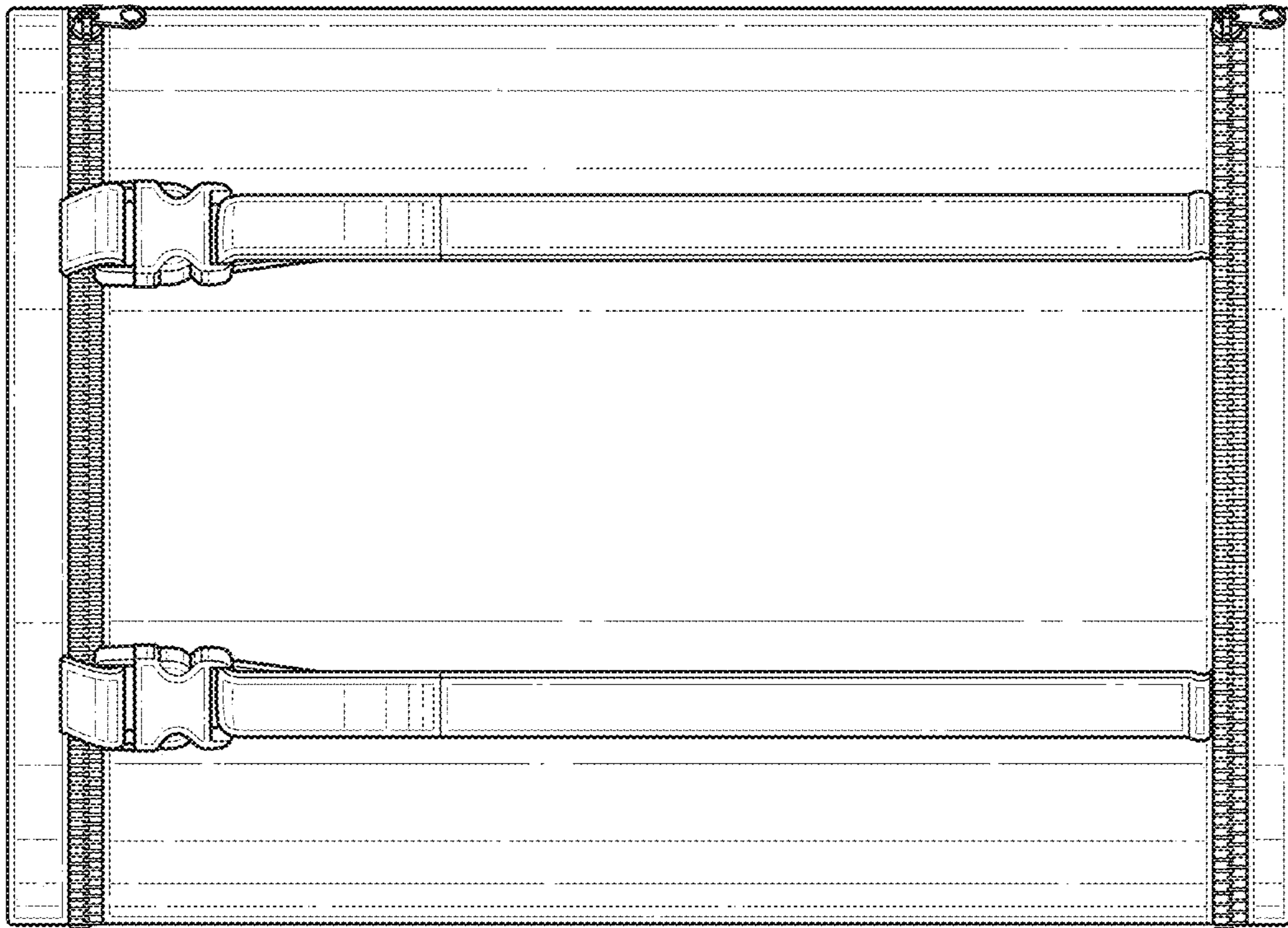


FIG. 4

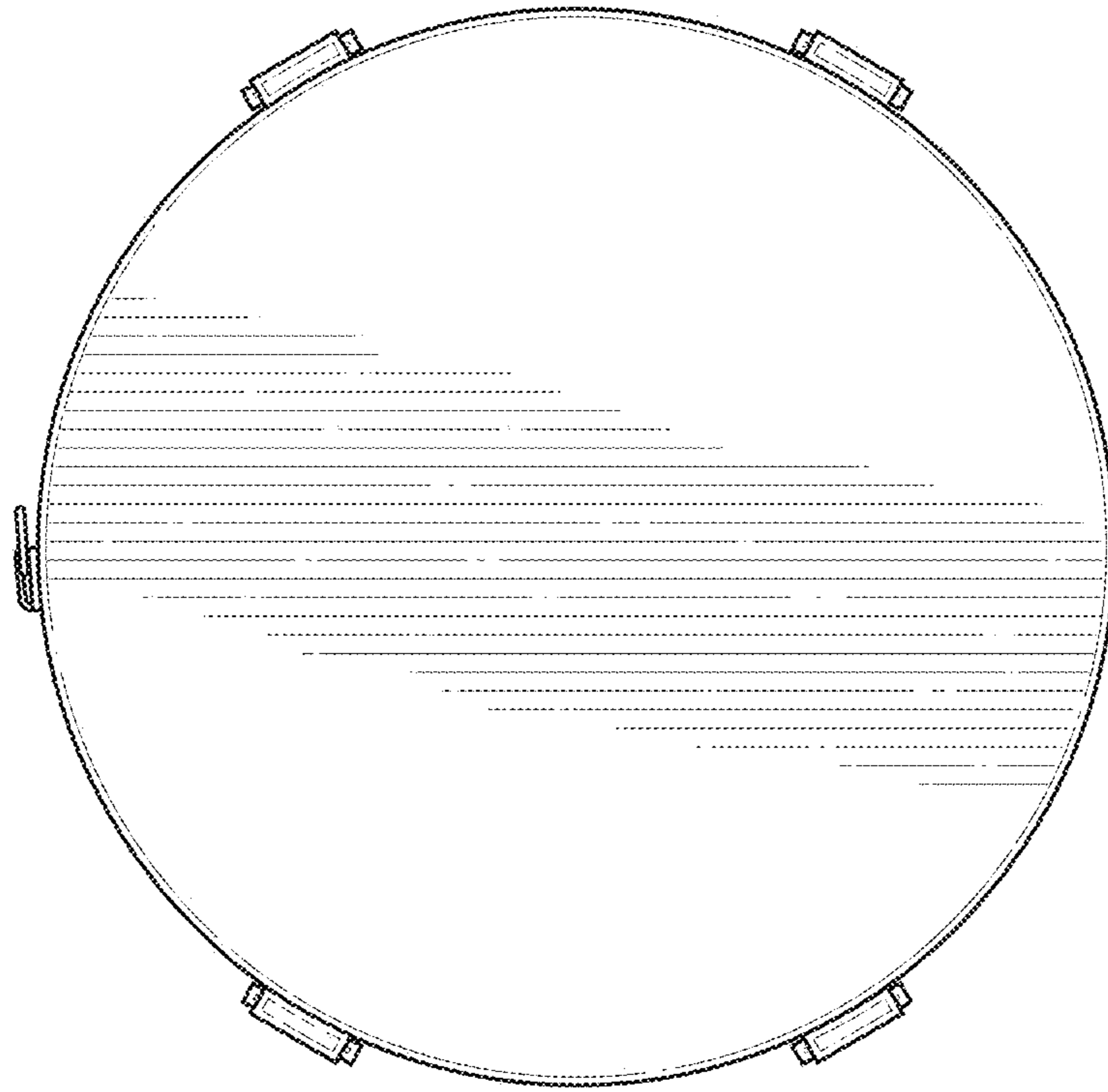


FIG. 7

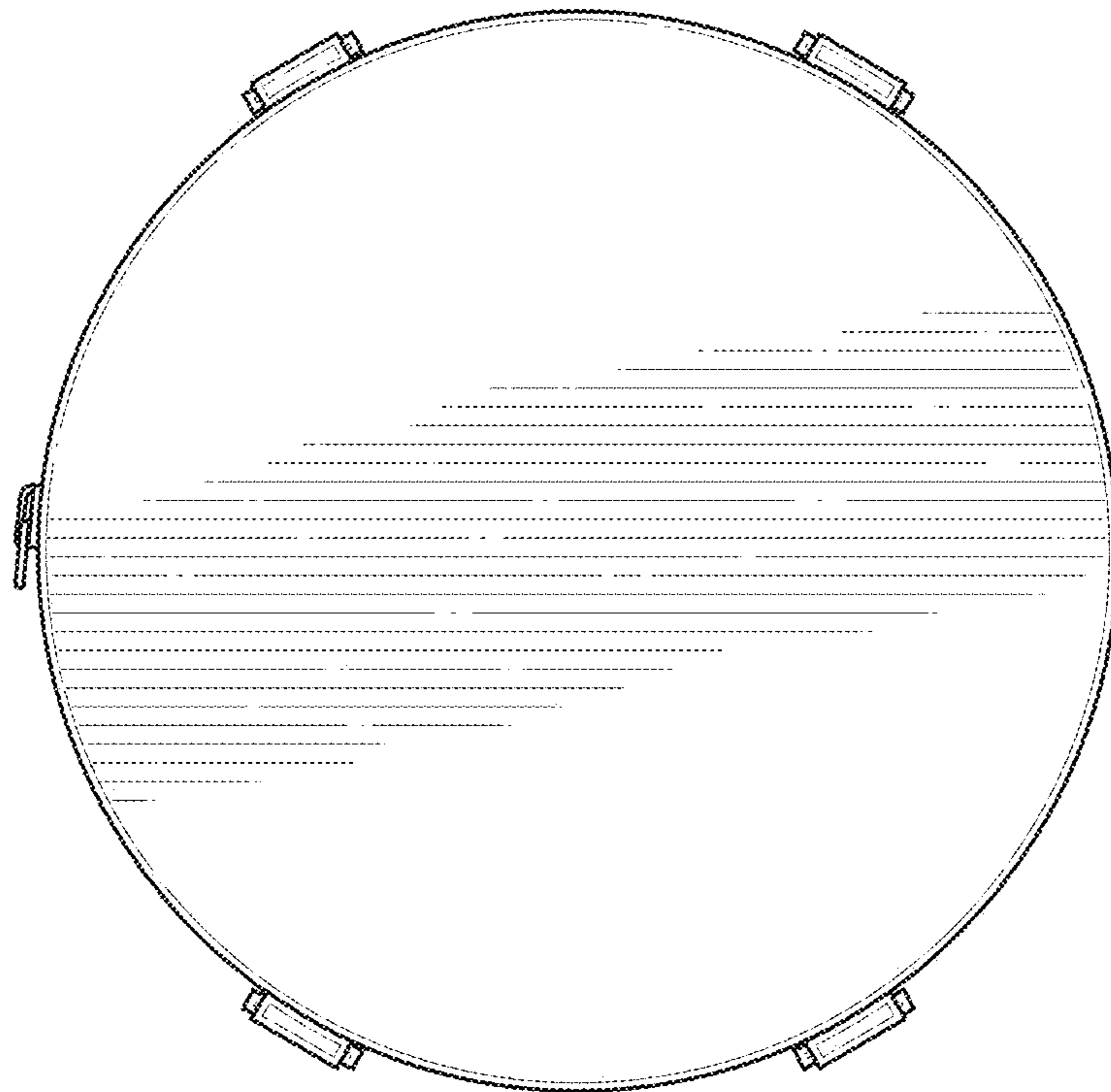


FIG. 6

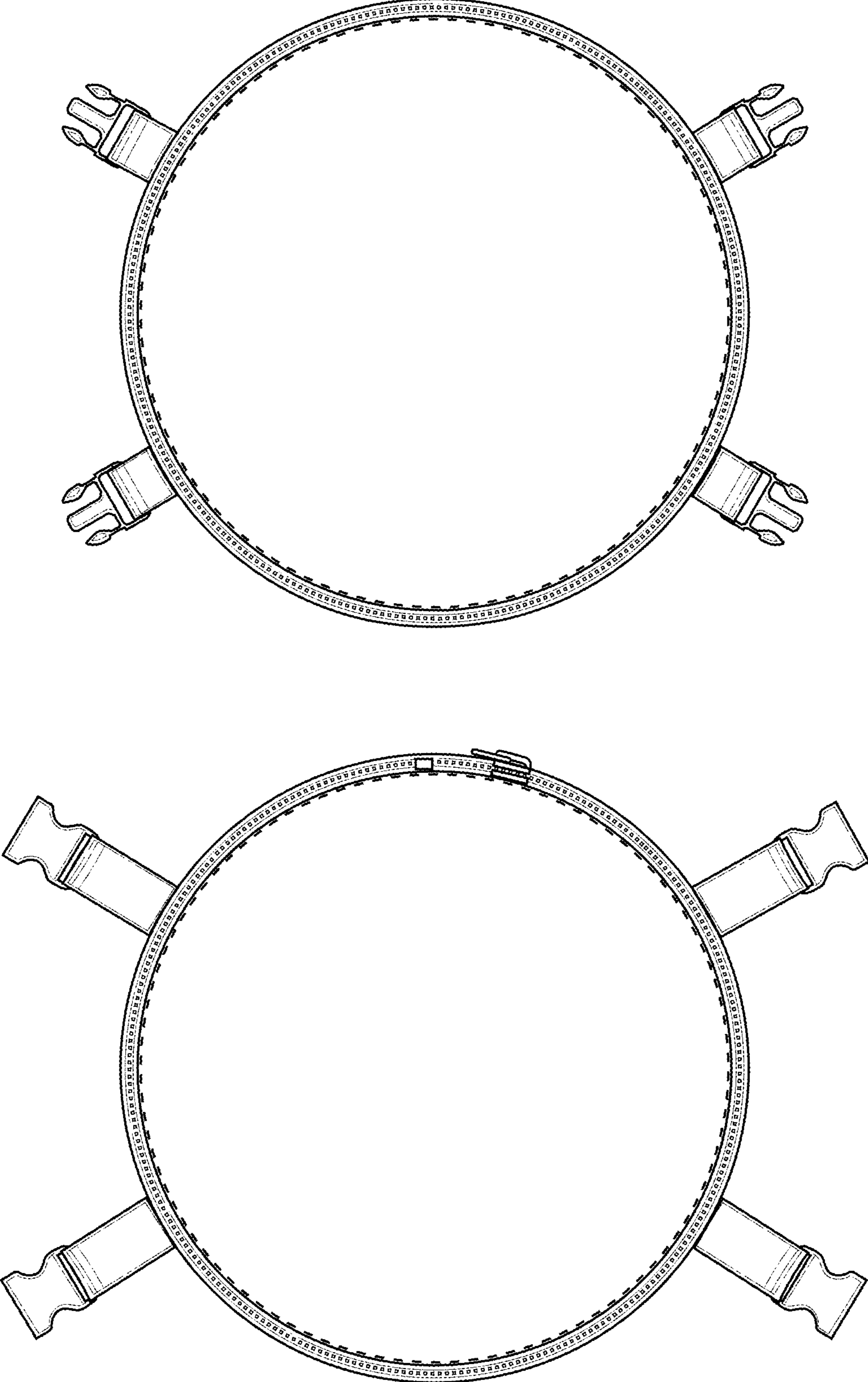


FIG. 8