



US00D875391S

(12) **United States Design Patent** (10) **Patent No.:** **US D875,391 S**
Gonzalez et al. (45) **Date of Patent:** **** Feb. 18, 2020**

(54) **SHOULDER BAG**

(56) **References Cited**

(71) Applicant: **MULBERRY COMPANY (DESIGN) LTD**, Bath (GB)

U.S. PATENT DOCUMENTS

(72) Inventors: **Victoria Gonzalez**, London (GB);
Alexandra Blouna, London (GB)

D582,666 S *	12/2008	Javits, Jr.	D3/232
D818,703 S *	5/2018	Guyon	D3/232
D835,404 S *	12/2018	Sassi	D3/232
D836,908 S *	1/2019	Chiuri	D3/232

(73) Assignee: **MULBERRY COMPANY (DESIGN) LTD.**, Somerset (GB)

* cited by examiner

(**) Term: **15 Years**

Primary Examiner — Holly E Thurman
(74) *Attorney, Agent, or Firm* — Shumaker, Loop & Kendrick; Patrick B. Horne

(21) Appl. No.: **35/505,622**

(57) **CLAIM**

(22) Filed: **Aug. 23, 2018**

The ornamental design for a shoulder bag, as shown and described.

(80) **Hague Agreement Data**

DESCRIPTION

Int. Filing Date: **Aug. 23, 2018**

1. Shoulder bag

Int. Reg. No.: **DM/102572**

1.1 : Top

Int. Reg. Date: **Aug. 23, 2018**

1.2 : Bottom

Int. Reg. Pub. Date: **Sep. 14, 2018**

1.3 : Perspective

(51) **LOC (12) Cl.** **03-01**

1.4 : Front

(52) **U.S. Cl.**
USPC **D3/232**

1.5 : Back

(58) **Field of Classification Search**
USPC D3/232-233, 240-247, 249-253
CPC A45C 1/024; A45C 3/06
See application file for complete search history.

1.6 : Left

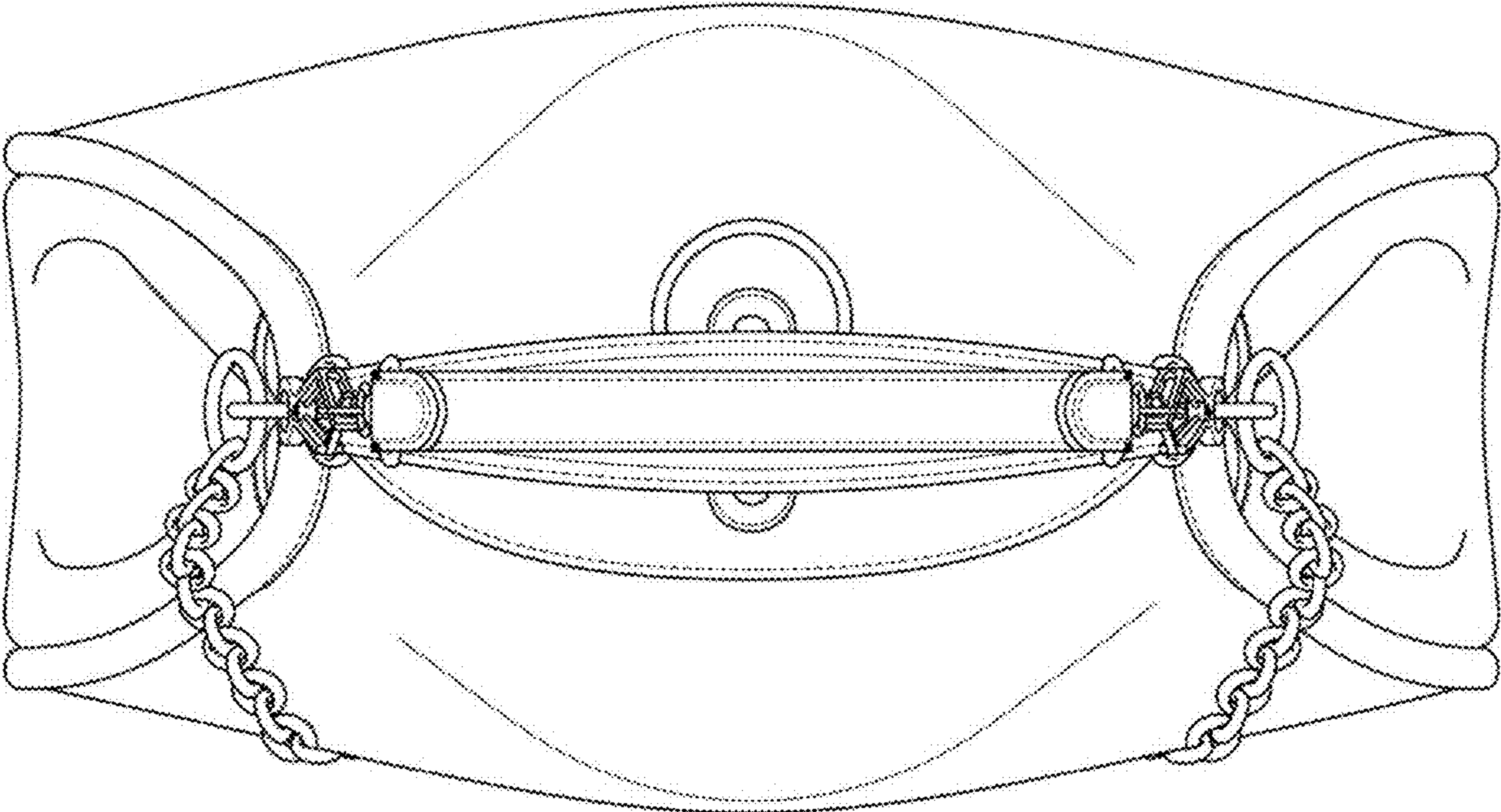
1.7 : Right

The portions of the shoulder bag shown in dash-dash broken lines represent stitching and form part of the claimed design; whereas, the portions of the shoulder bag shown in dot-dash broken lines do NOT form part of the claimed design.

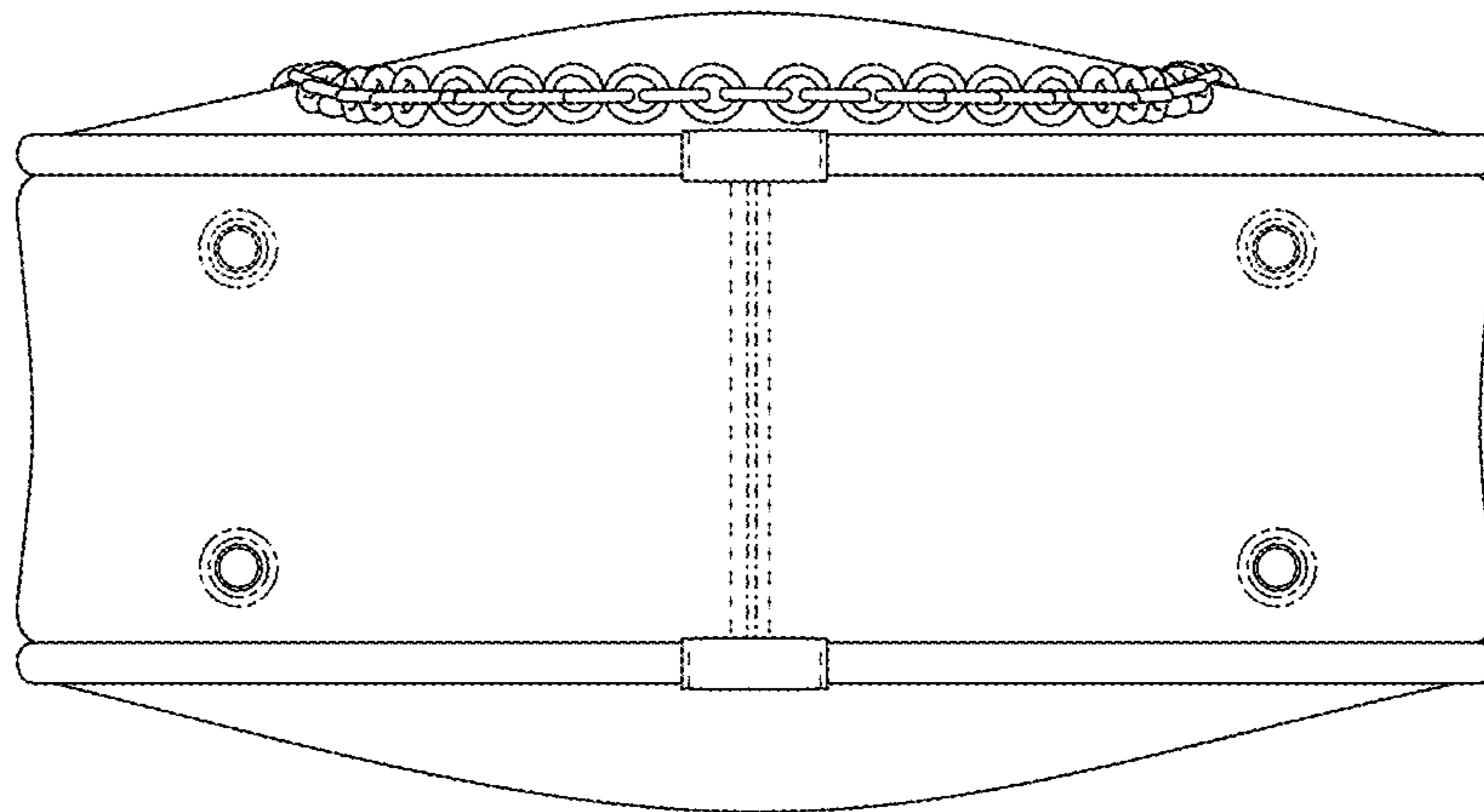
1 Claim, 7 Drawing Sheets



1.1



1.2



1.3



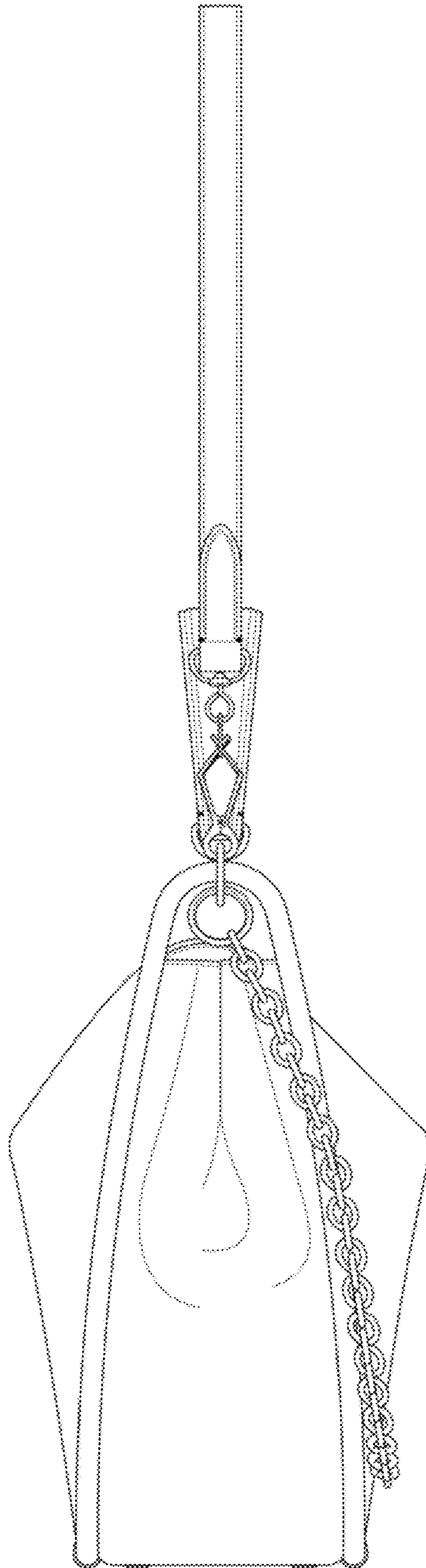
1.4



1.5



1.6



1.7

