



US00D875389S

(12) **United States Design Patent** (10) **Patent No.:** **US D875,389 S**
Potts et al. (45) **Date of Patent:** **** *Feb. 18, 2020**

(54) **TOTE BAG WITH CONFIGURABLE CORNERS**

(71) Applicants: **Kenneth Lee Potts**, Livingston, TX (US); **Debra Lee Potts**, Livingston, TX (US)

(72) Inventors: **Kenneth Lee Potts**, Livingston, TX (US); **Debra Lee Potts**, Livingston, TX (US)

(*) Notice: This patent is subject to a terminal disclaimer.

(**) Term: **15 Years**

(21) Appl. No.: **29/642,463**

(22) Filed: **Mar. 29, 2018**

(51) **LOC (12) Cl.** **03-01**

(52) **U.S. Cl.**
USPC **D3/232**

(58) **Field of Classification Search**
USPC D3/201, 232, 233, 244, 243, 245, 246, D3/273, 274, 275, 276, 279, 283, 284,
(Continued)

(56) **References Cited**

U.S. PATENT DOCUMENTS

1,406,505 A * 2/1922 Sims A45C 3/06
150/106
D377,864 S * 2/1997 Miller D3/201
(Continued)

OTHER PUBLICATIONS

Homele Insulated Lunch Bag Black . . . , posted at amazon.com, online, available Jun. 6, 2017, URL:https://www.amazon.com/Homele-Insulated-Drawstring-Aluminum-Triangles/dp/B071WMK9Z8/ref=sr_1_2?ie=UTF8&qid=1542744580&sr=8-2&keywords=insulated+grocery+bag+with+drawstring (Year: 2017).*

(Continued)

Primary Examiner — Barbara Fox

Assistant Examiner — Mary Shannon Malley

(74) *Attorney, Agent, or Firm* — John L. Rogitz

(57) **CLAIM**

The ornamental design for a tote bag with configurable corners, as shown and described.

DESCRIPTION

FIG. 1 is a perspective view of a tote bag with configurable corners showing the new design, in the open expanded configuration with the corner pockets in the retracted configuration;

FIG. 2 is a top plan view of the tote bag with configurable corners in FIG. 1;

FIG. 3 is a perspective view of the tote bag with configurable corners in the open expanded configuration with the corner pockets in the extended configuration;

FIG. 4 is a top plan view of the tote bag with configurable corners in FIG. 2;

FIG. 5 is a perspective view of the tote bag with configurable corners in the closed configuration with the drawstring cinched;

FIG. 6 is a top plan view of the tote bag with configurable corners in FIG. 5;

FIG. 7 is a perspective view of the tote bag with configurable corners with the drawstring not cinched and folded in to expose the interior of the bag;

FIG. 8 is a top plan view of the tote bag with configurable corners in FIG. 7;

FIG. 9 is a first side elevational view of the tote bag with configurable corners of FIGS. 1 and 3;

FIG. 10 is a second side elevational view of the tote bag with configurable corners of FIGS. 1 and 3;

FIG. 11 is a first end elevational view of the tote bag with configurable corners of FIGS. 1 and 3;

FIG. 12 is a second end elevational view of the tote bag with configurable corners of FIGS. 1 and 3;

FIG. 13 is a bottom plan view of the tote bag with configurable corners of FIGS. 1 and 3;

(Continued)

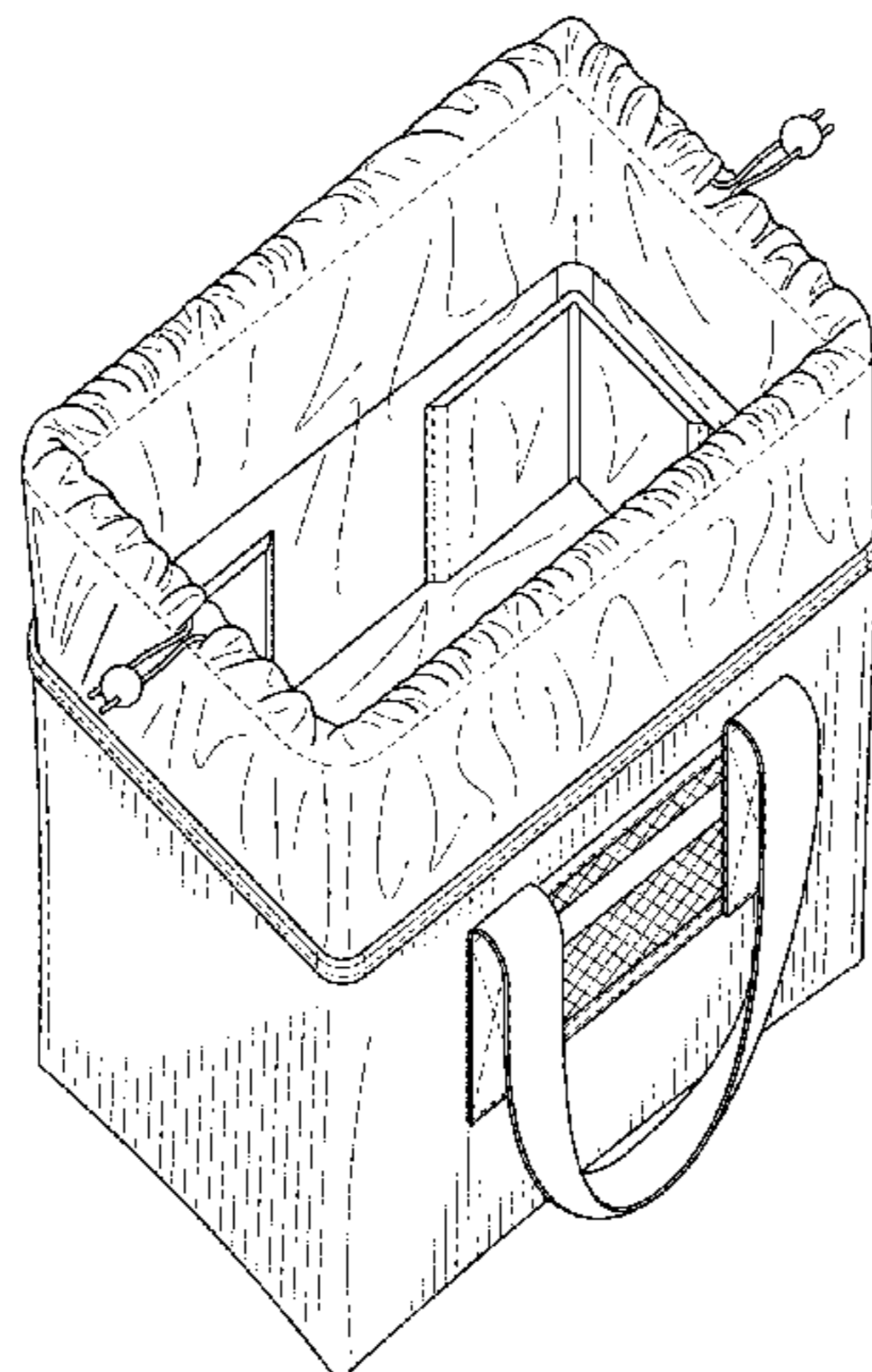


FIG. 14 is a first side elevational view of the tote bag with configurable corners of FIGS. 5 and 7;
 FIG. 15 is a second side elevational view of the tote bag with configurable corners of FIGS. 5 and 7;
 FIG. 16 is a first end elevational view of the tote bag with configurable corners of FIGS. 5 and 7;
 FIG. 17 is a second end elevational view of the tote bag with configurable corners of FIGS. 5 and 7;
 FIG. 18 is a bottom plan view of the tote bag with configurable corners of FIGS. 5 and 7, except with the flaccid drawstrings overhanging the outside of the tote bag; and,
 FIG. 19 is a side elevational view of the tote bag with configurable corners showing the drawstring tucked.
 The stitching is not part of the claimed invention.
 The broken lines depict stitching that forms no part of the claimed design.

1 Claim, 11 Drawing Sheets

(58) **Field of Classification Search**

USPC D3/286, 289, 294, 295, 296, 299, 301, D3/302, 303, 318, 900, 901, 903, 905; D9/414; 150/107, 111, 112, 130, 127, 150/128, 129; 383/6, 120
 CPC A45C 5/04; A45C 11/00; A45C 11/16; A45C 3/04; A45C 13/02; A45C 13/026
 See application file for complete search history.

(56)

References Cited

U.S. PATENT DOCUMENTS

D422,411	S *	4/2000	Martin	D3/201
6,234,677	B1 *	5/2001	Mogil	A45C 7/0077 206/545
D615,757	S *	5/2010	Kostner	D3/244
8,281,950	B2	10/2012	Potts et al.		
8,459,489	B2	6/2013	Potts et al.		
D720,925	S *	1/2015	Jones	D3/232
D727,025	S *	4/2015	Dreyer	D3/284
D787,182	S *	5/2017	Moreau	D3/293
D790,851	S *	7/2017	Domingo	D3/232
2009/0145711	A1 *	6/2009	Panosian	A45C 7/0086 190/107
2013/0119850	A1 *	5/2013	Breyburg	A47B 71/00 312/408
2015/0265020	A1 *	9/2015	McCue	A45C 3/00 206/216
2017/0135456	A1 *	5/2017	Schartle	A45C 11/36
2019/0298017	A1 *	10/2019	Potts	A45C 3/04

OTHER PUBLICATIONS

Reusable Shopping Cube Grocery Bag . . . , posted at amazon.com, online, no posting date available, URL:https://www.amazon.com/Reusable-Shopping-Cube-Grocery-Bag/dp/B077WYFT3B/ref=pd_day0_hl_201_2?encoding=UTF8&pd_rd_i=B077WYFT3B&pd_rd_r=3b66dce4-ed00-11e8-ac33-170c9d662742&pd_rd_w=QoEJN&pd_rd_wg=K (Year: 2018).*

* cited by examiner

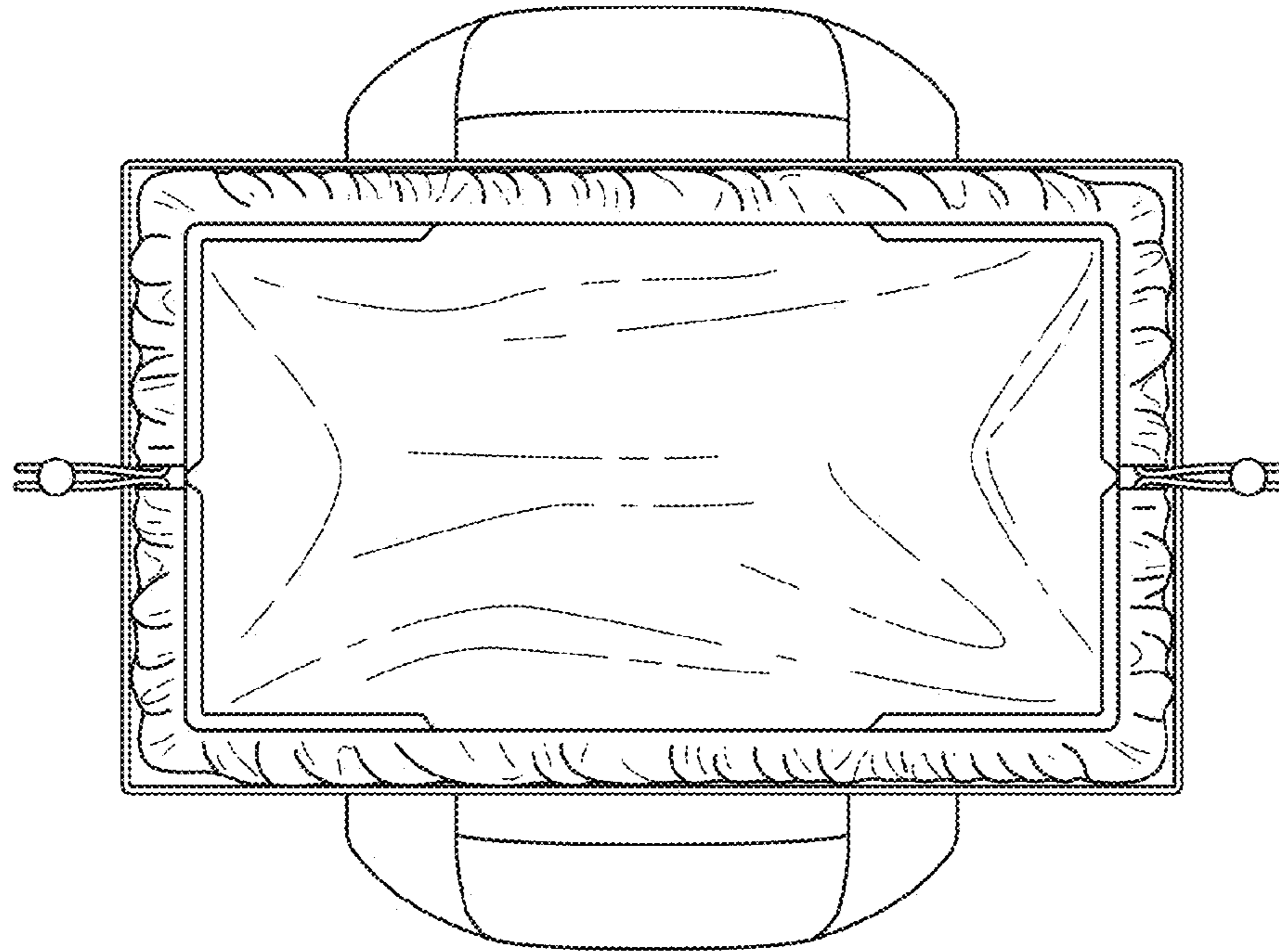


FIG. 2

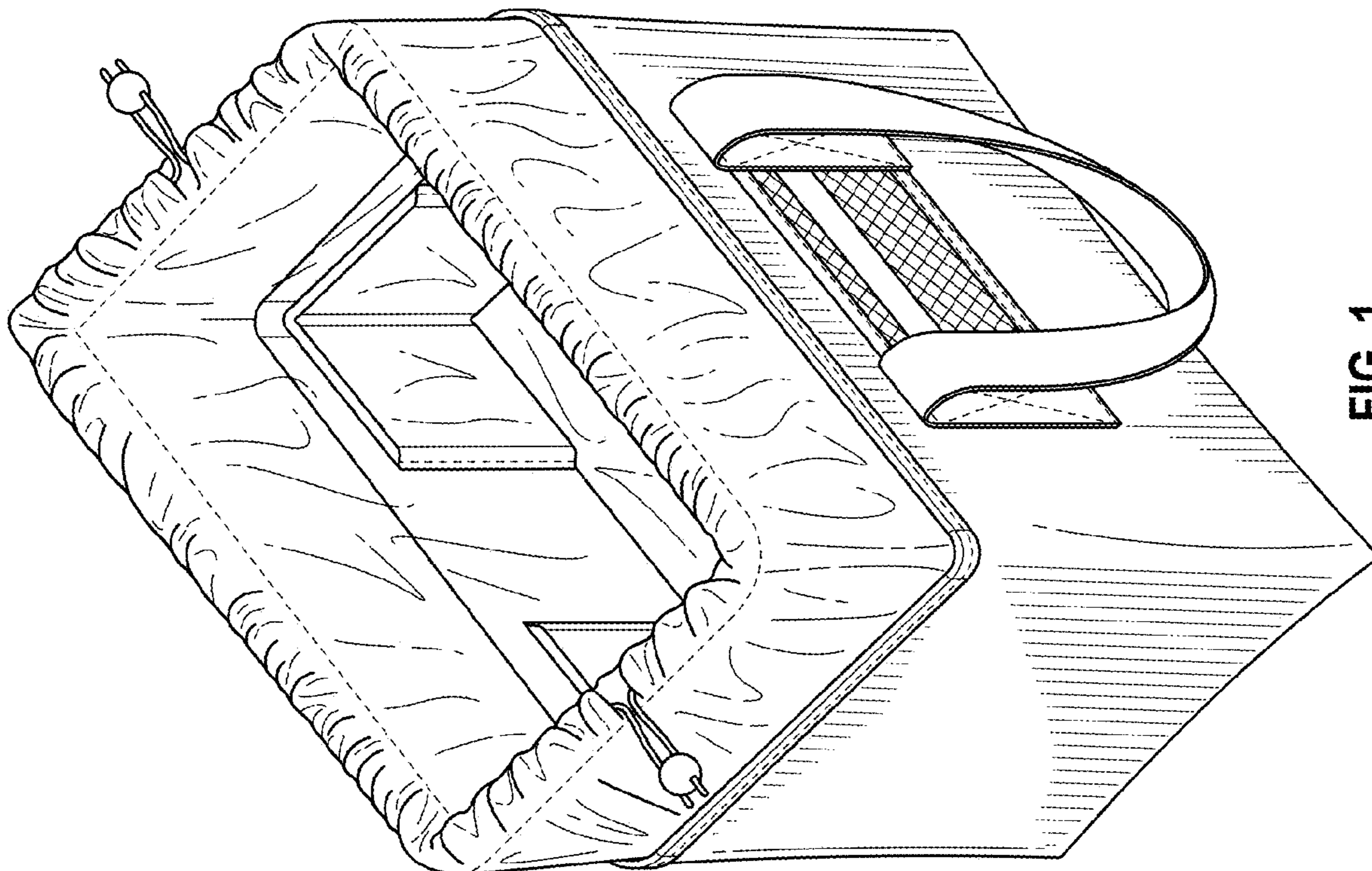


FIG. 1

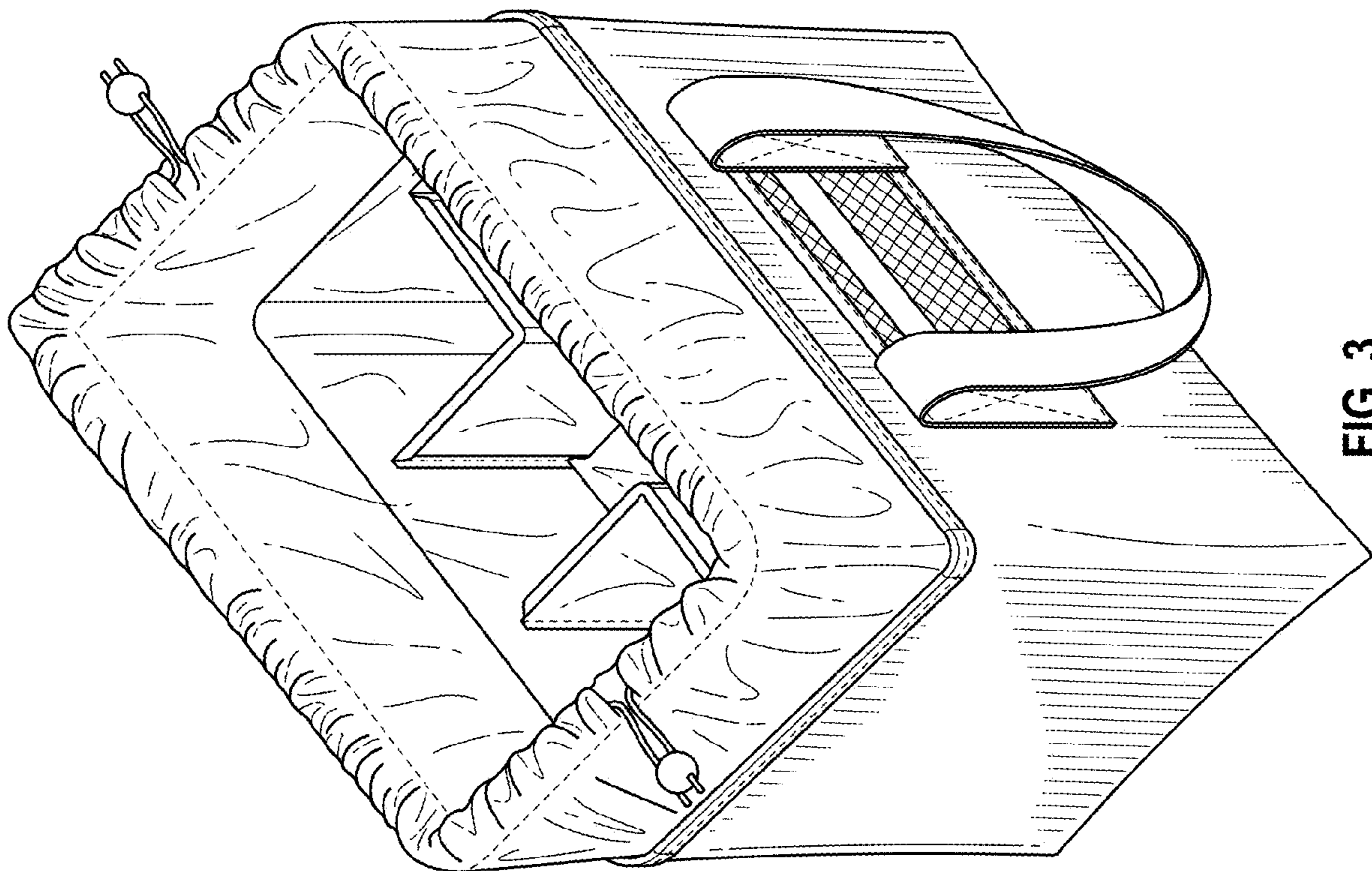


FIG. 3

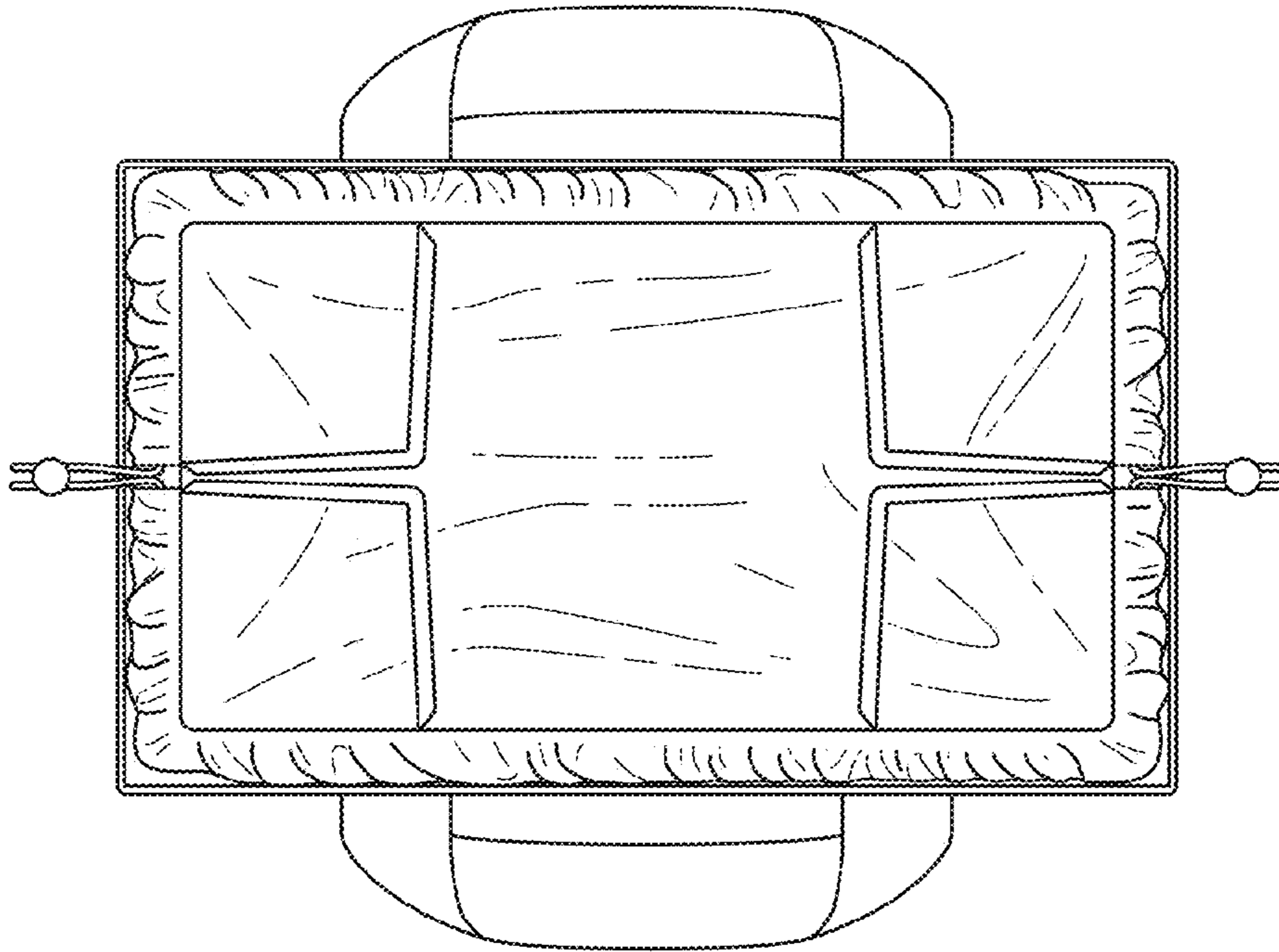


FIG. 4

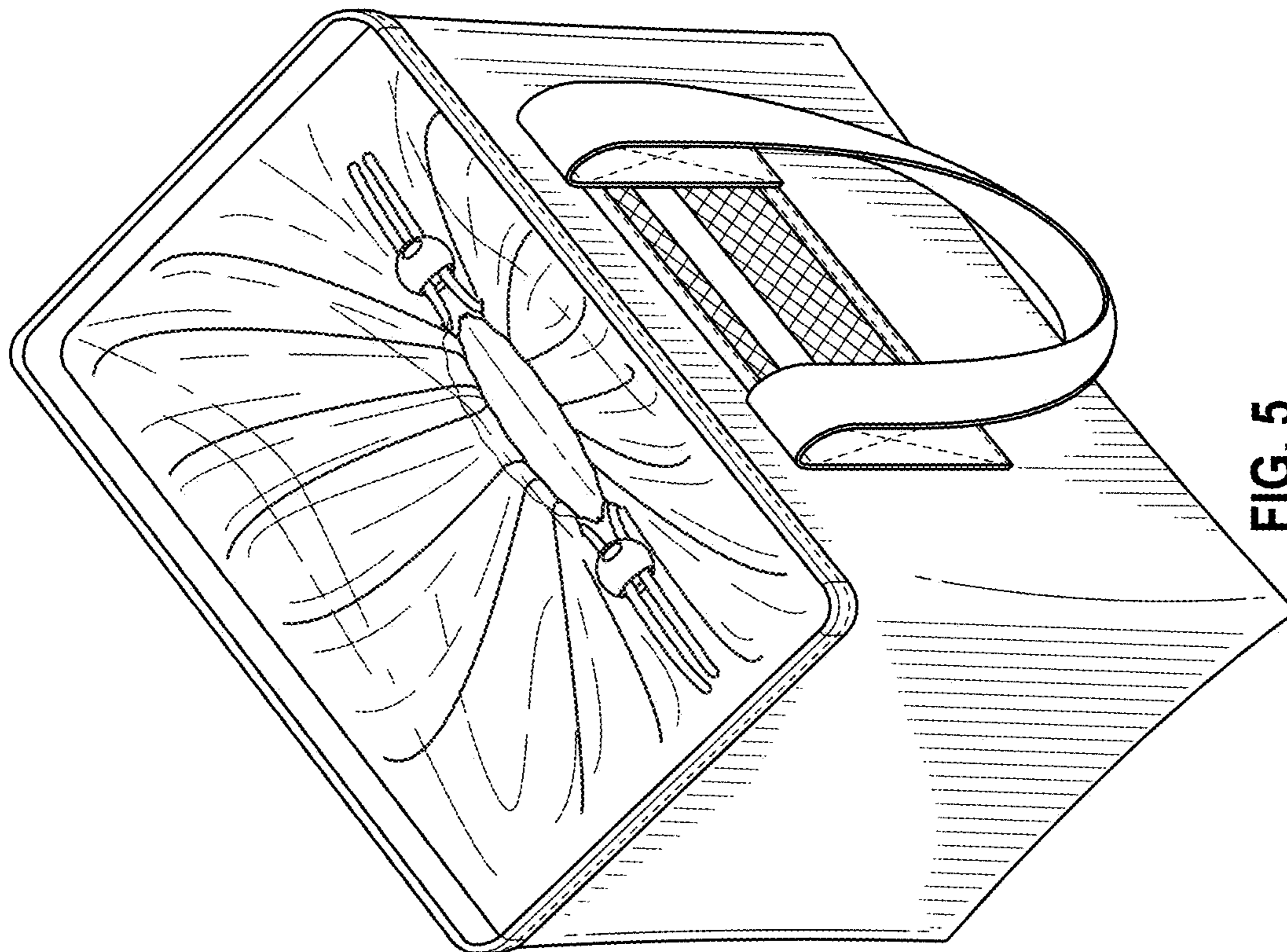


FIG. 5

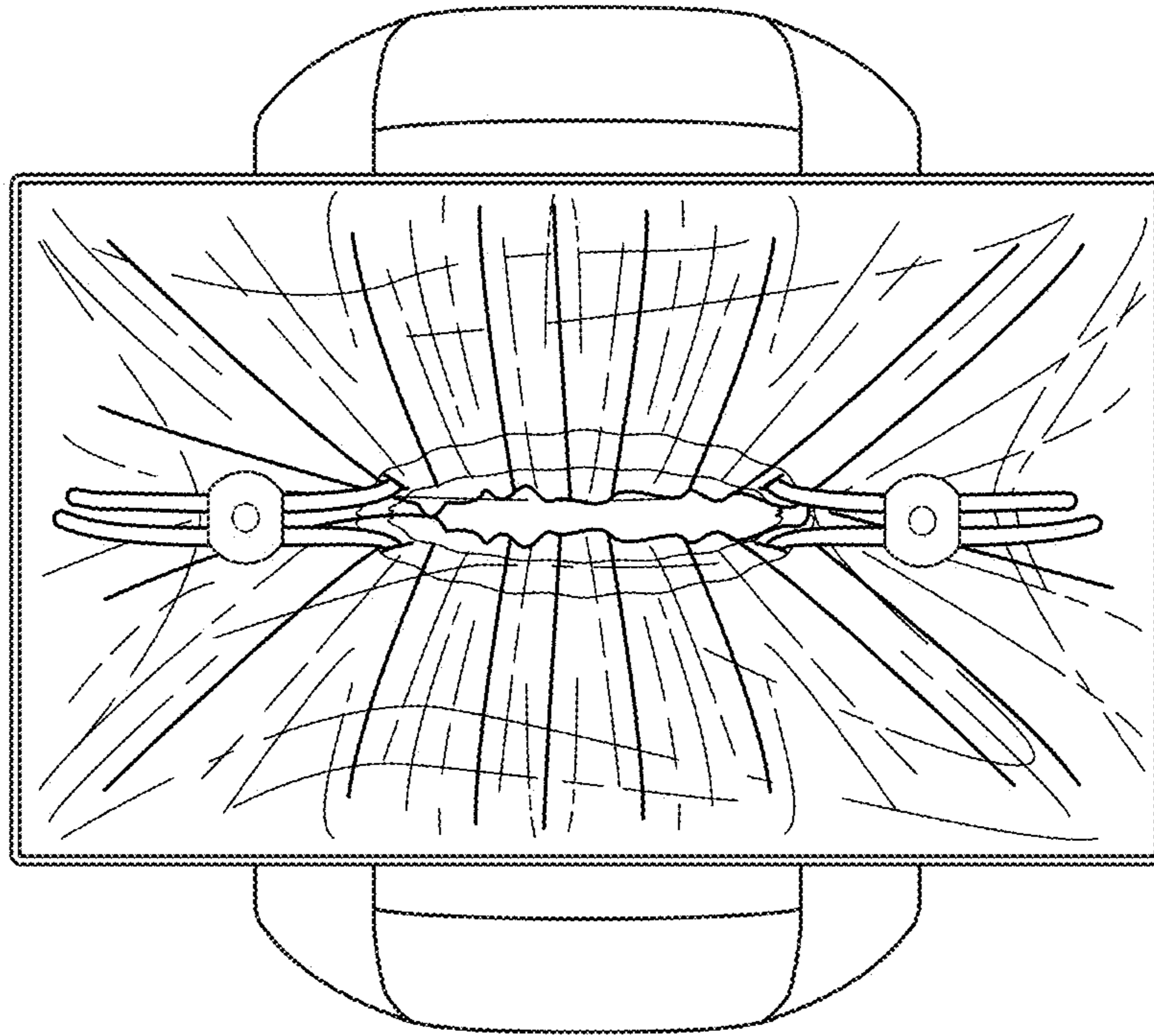


FIG. 6

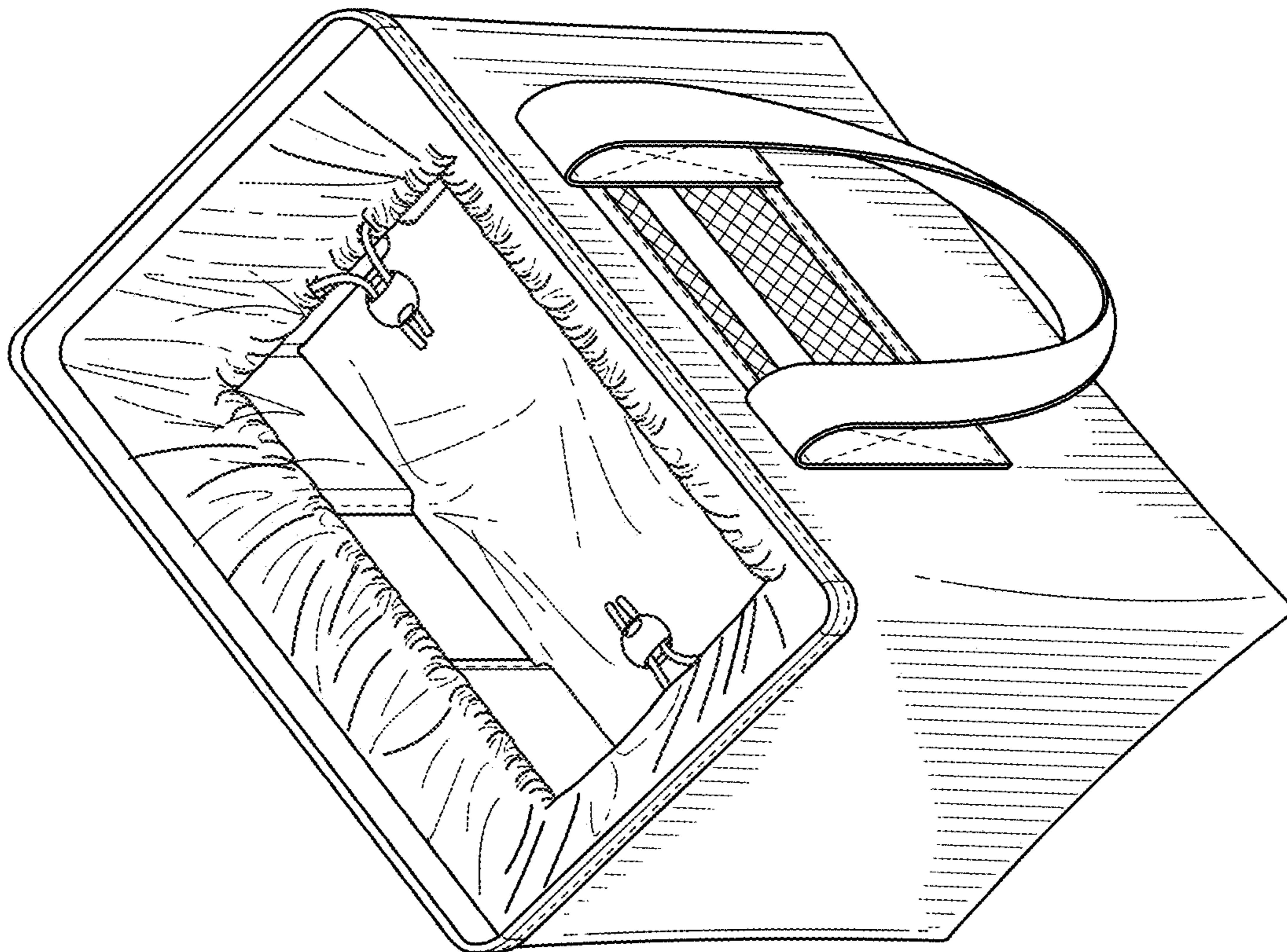


FIG. 7

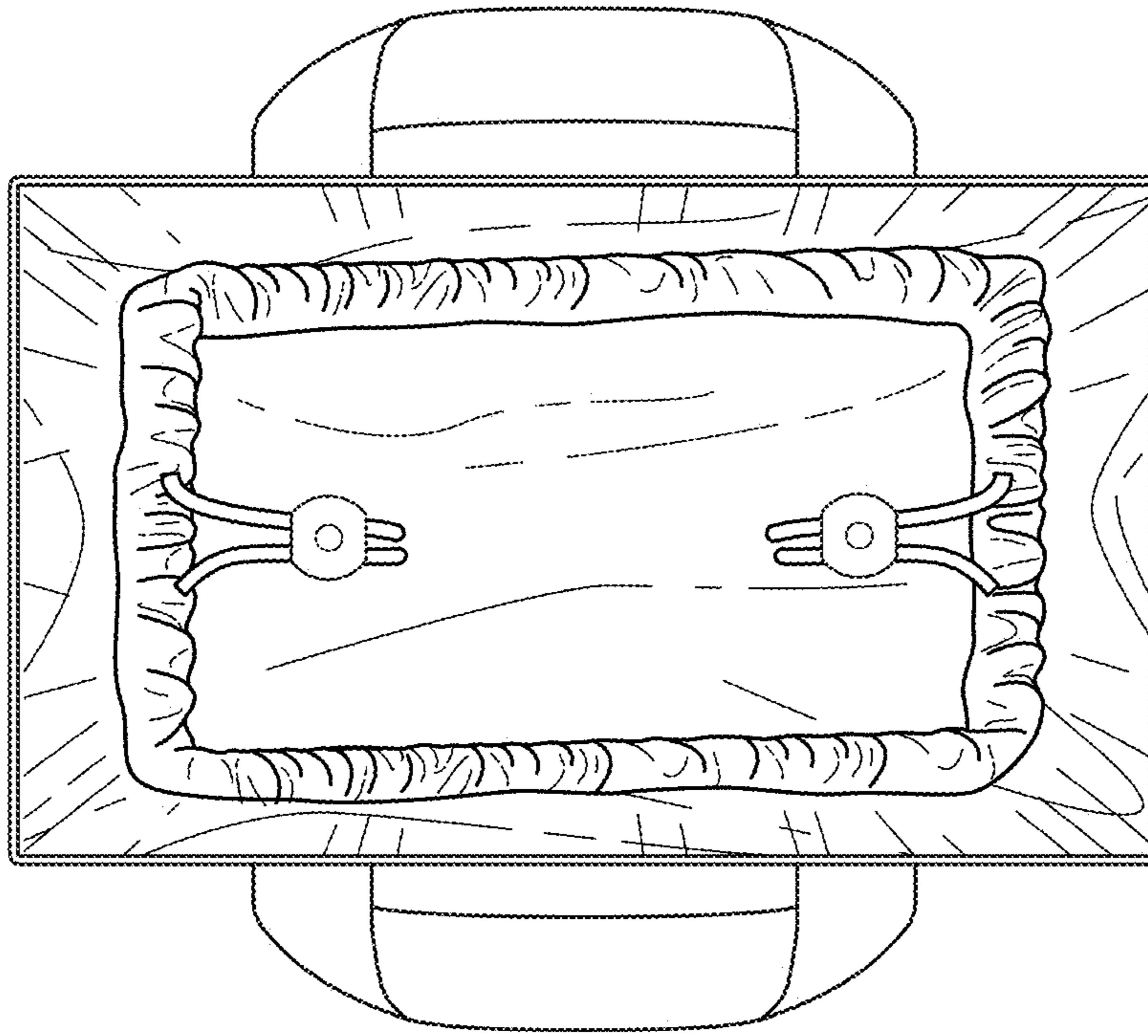


FIG. 8

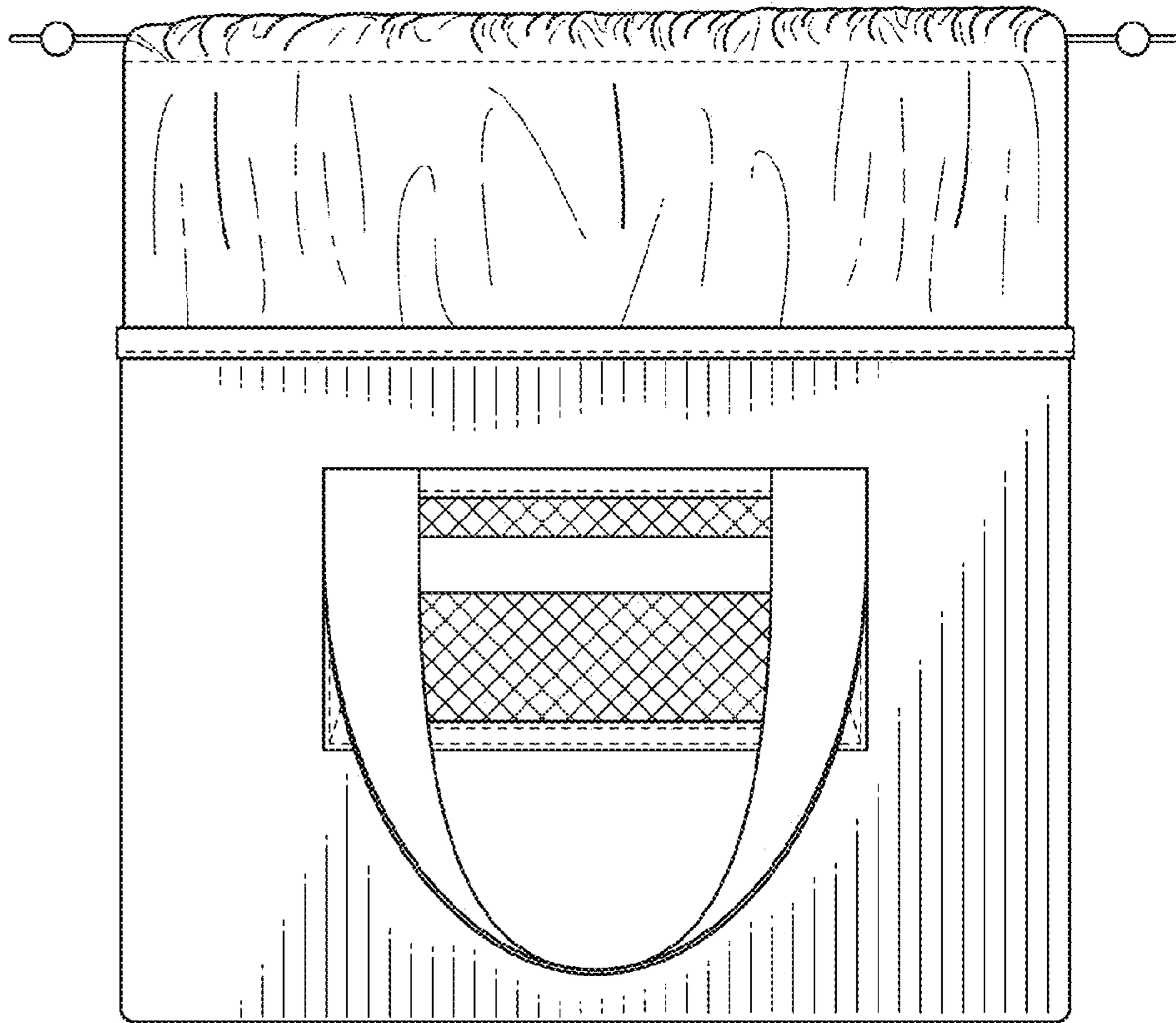


FIG. 9

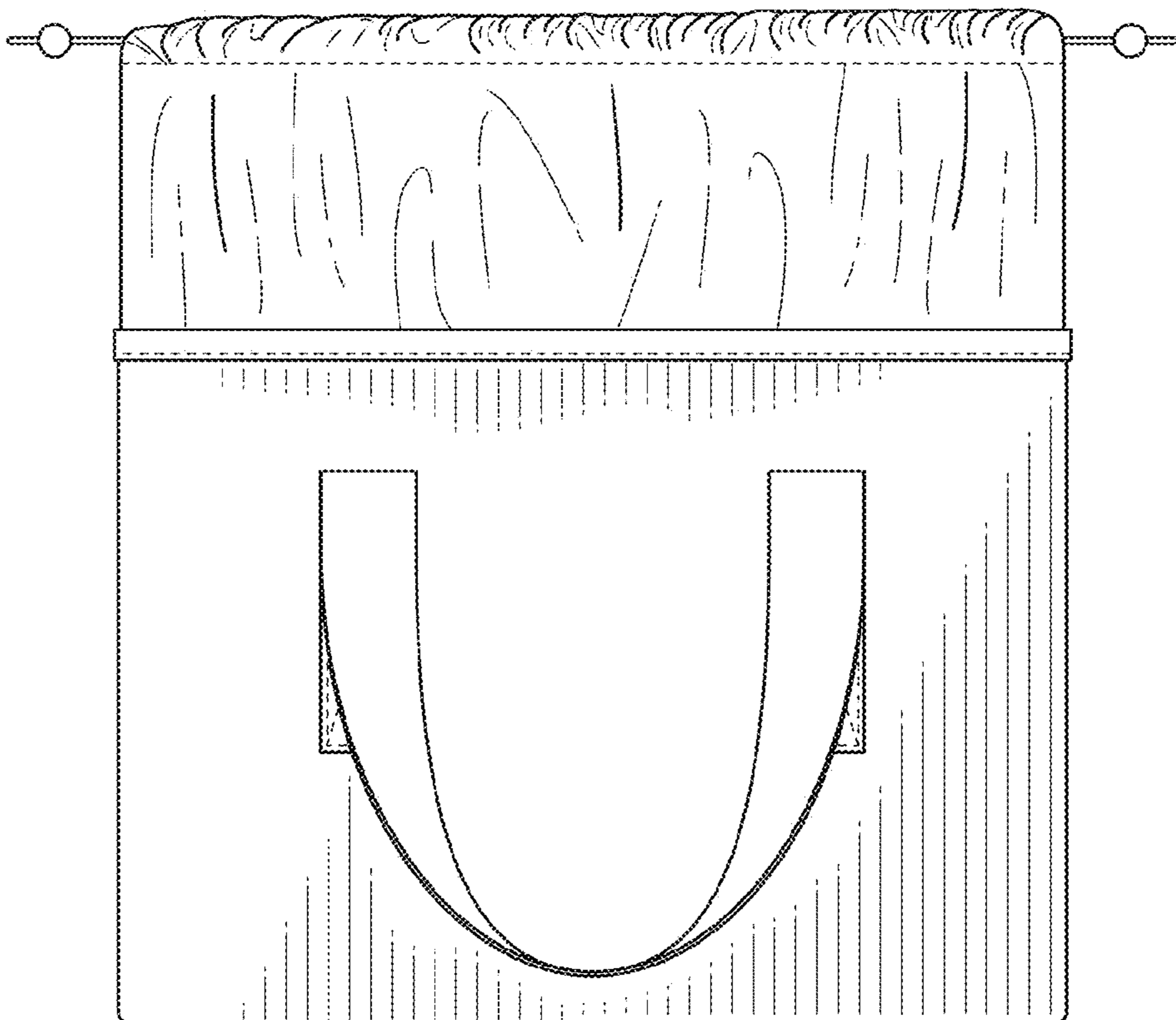


FIG. 10

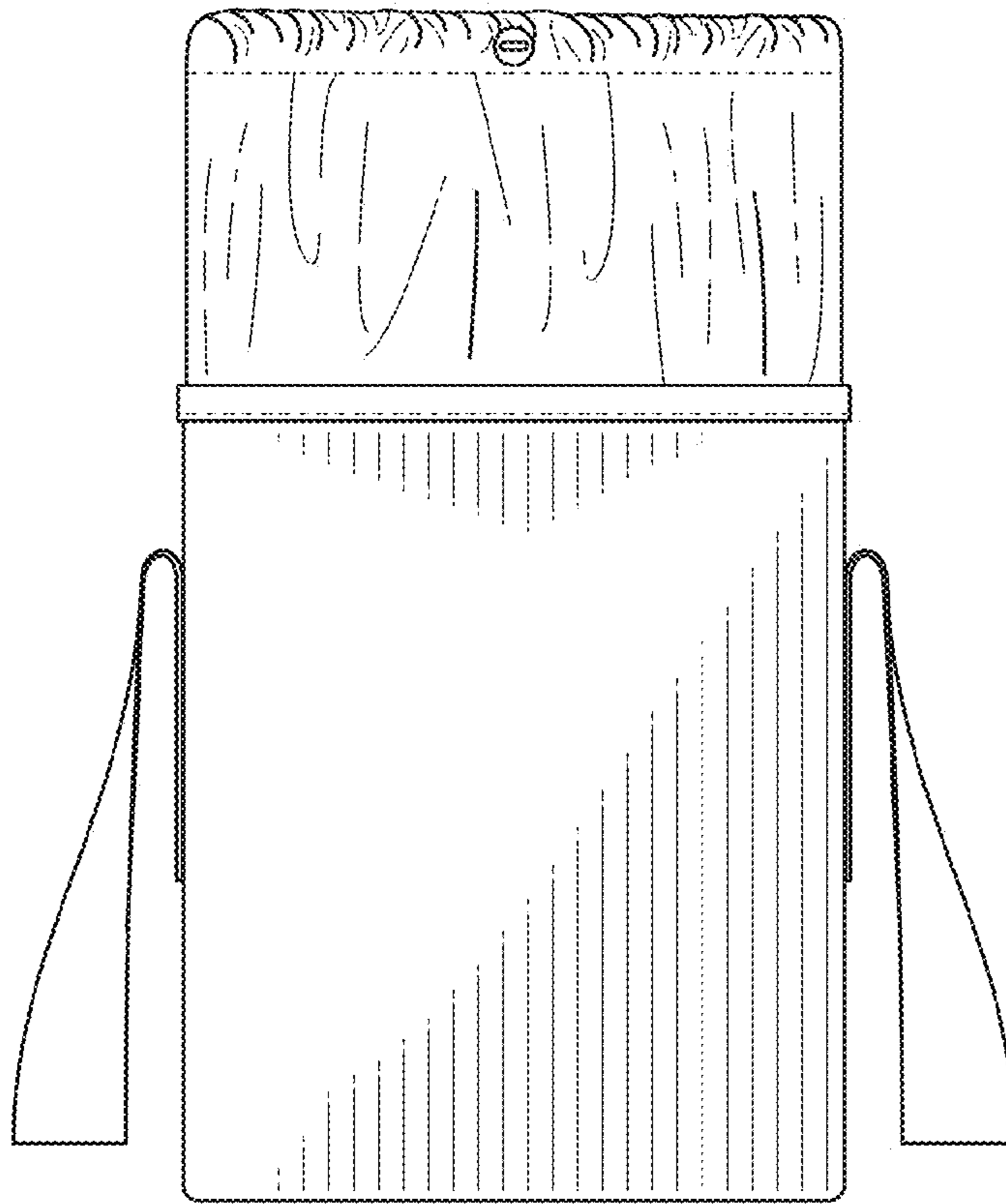


FIG. 11

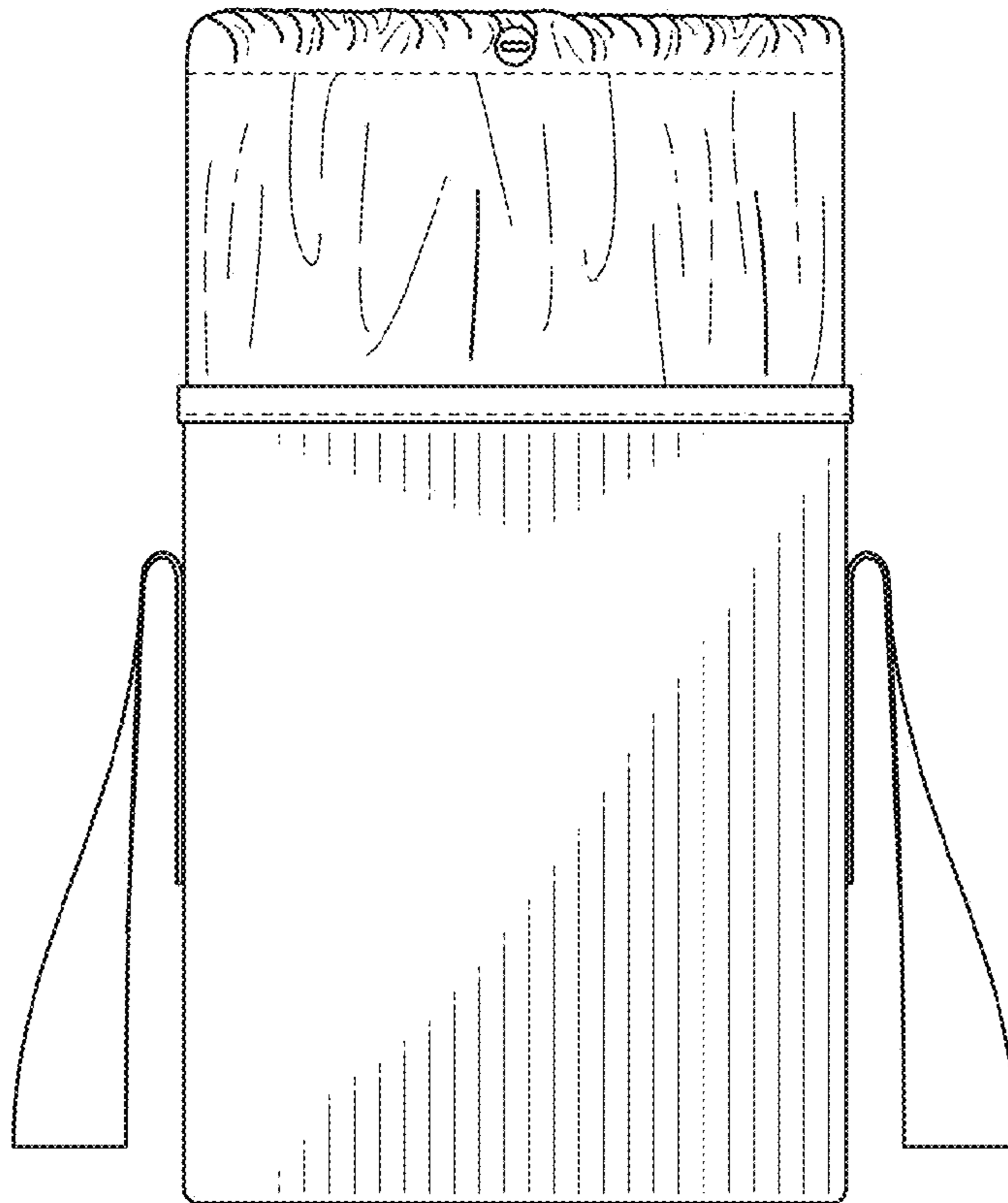


FIG. 12

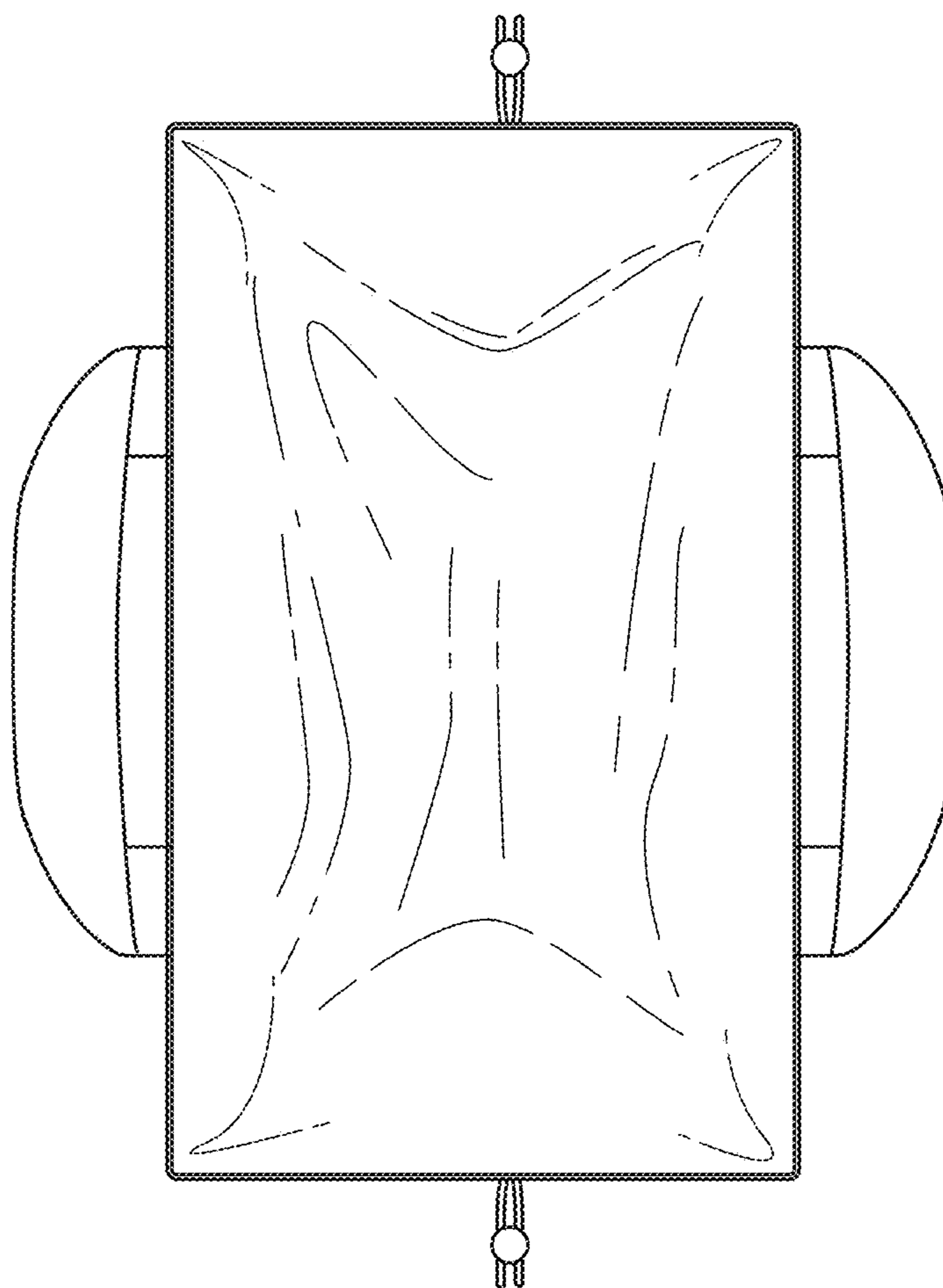


FIG. 13

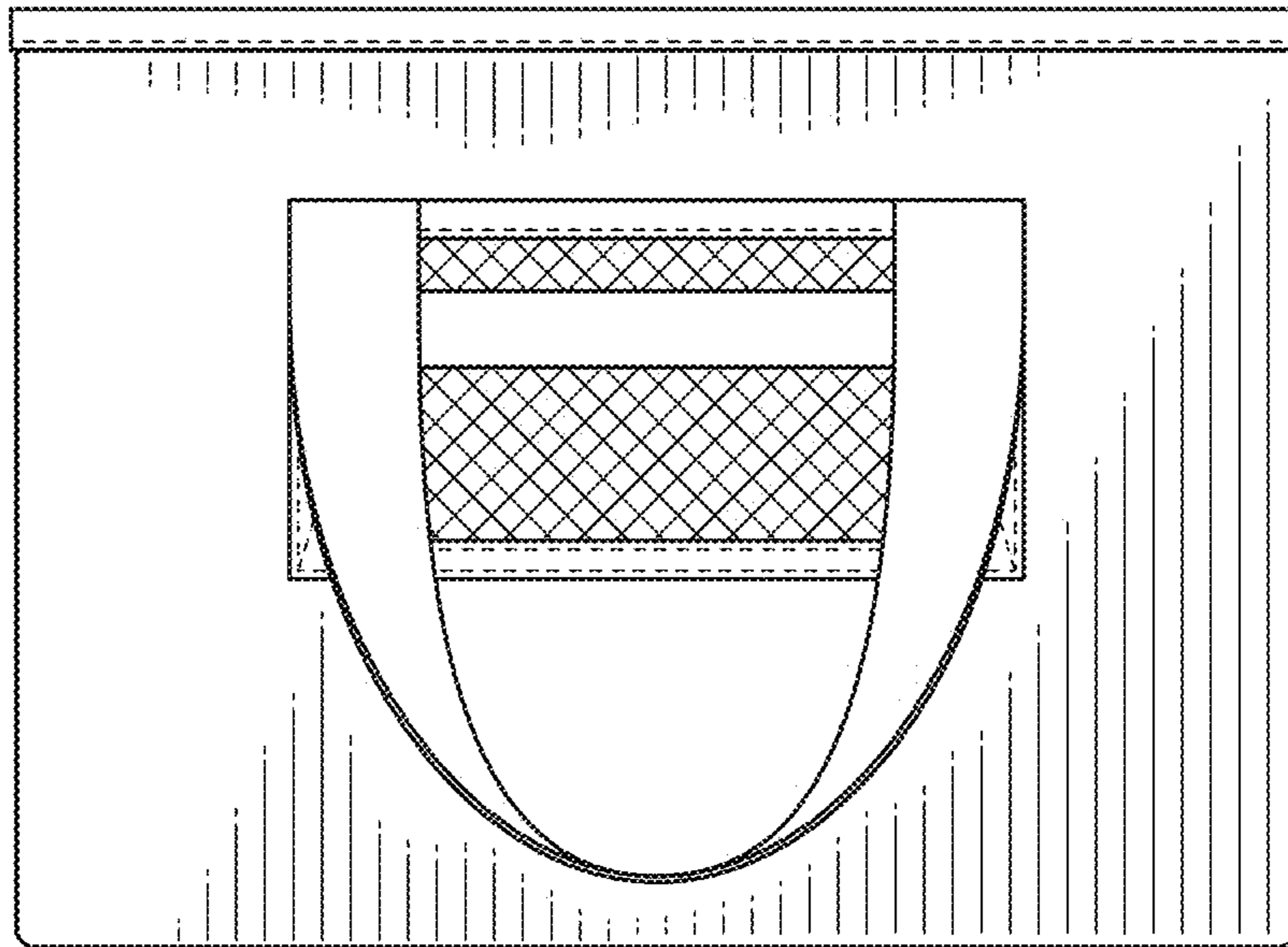


FIG. 14

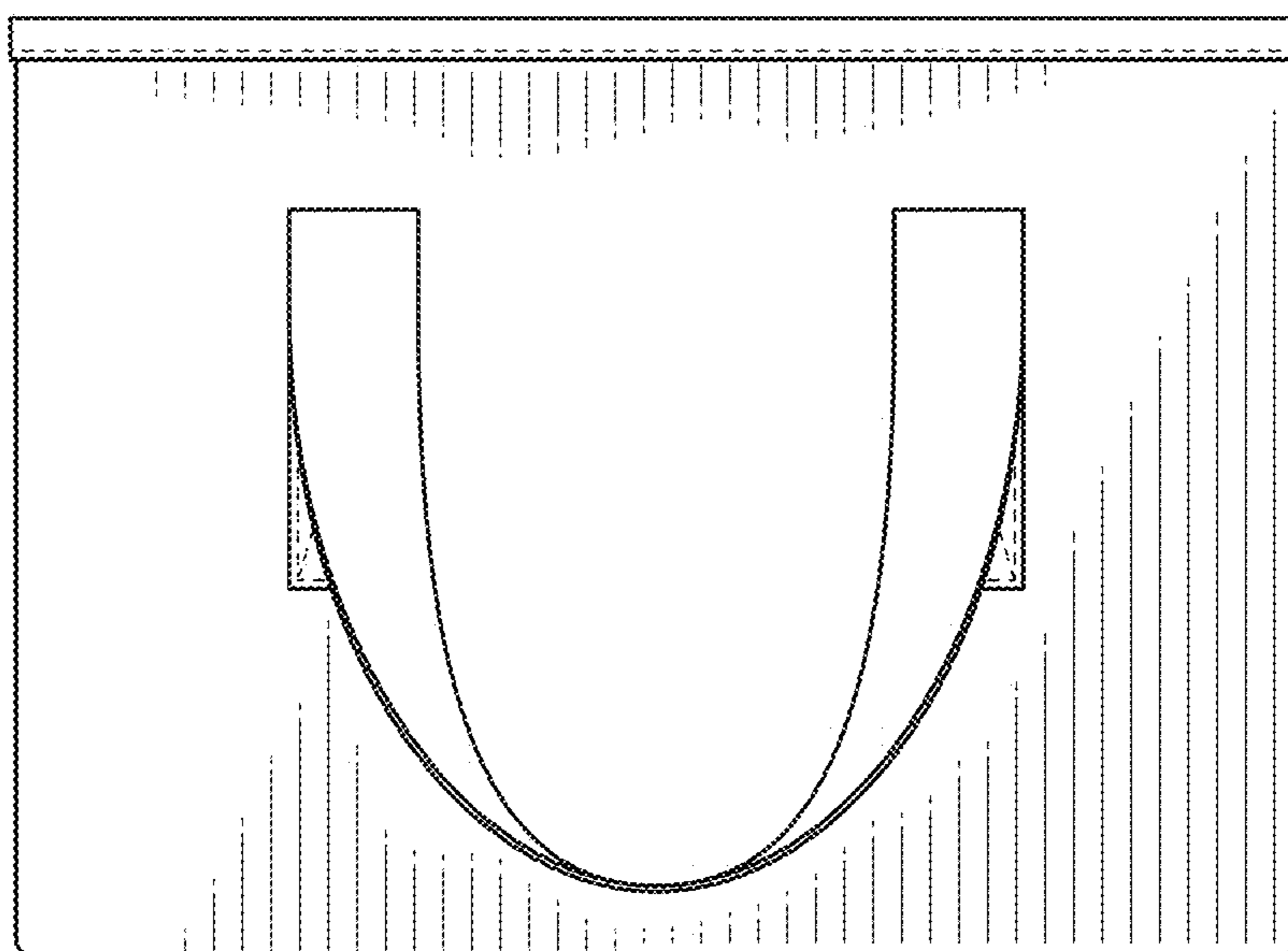


FIG. 15

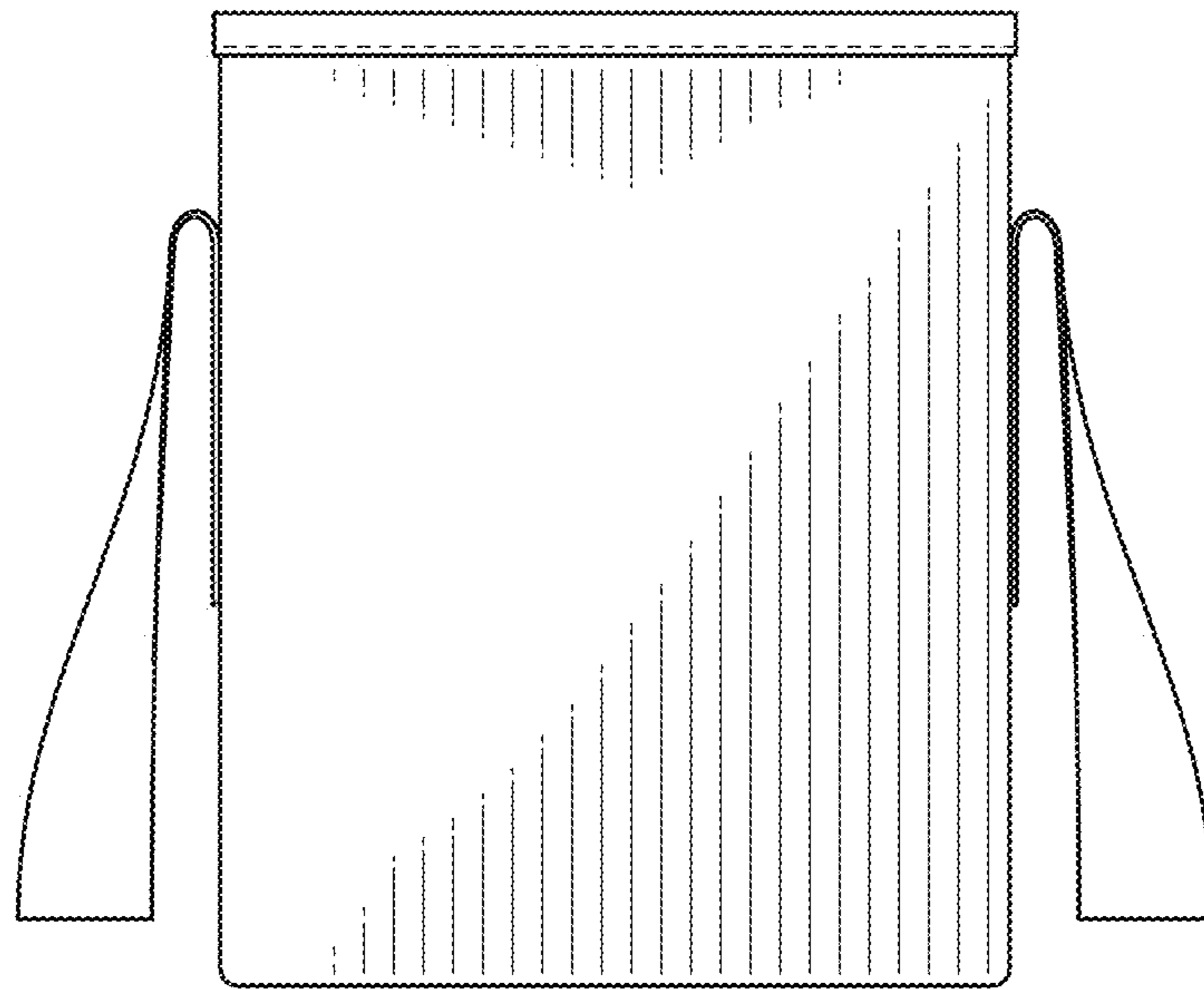


FIG. 16

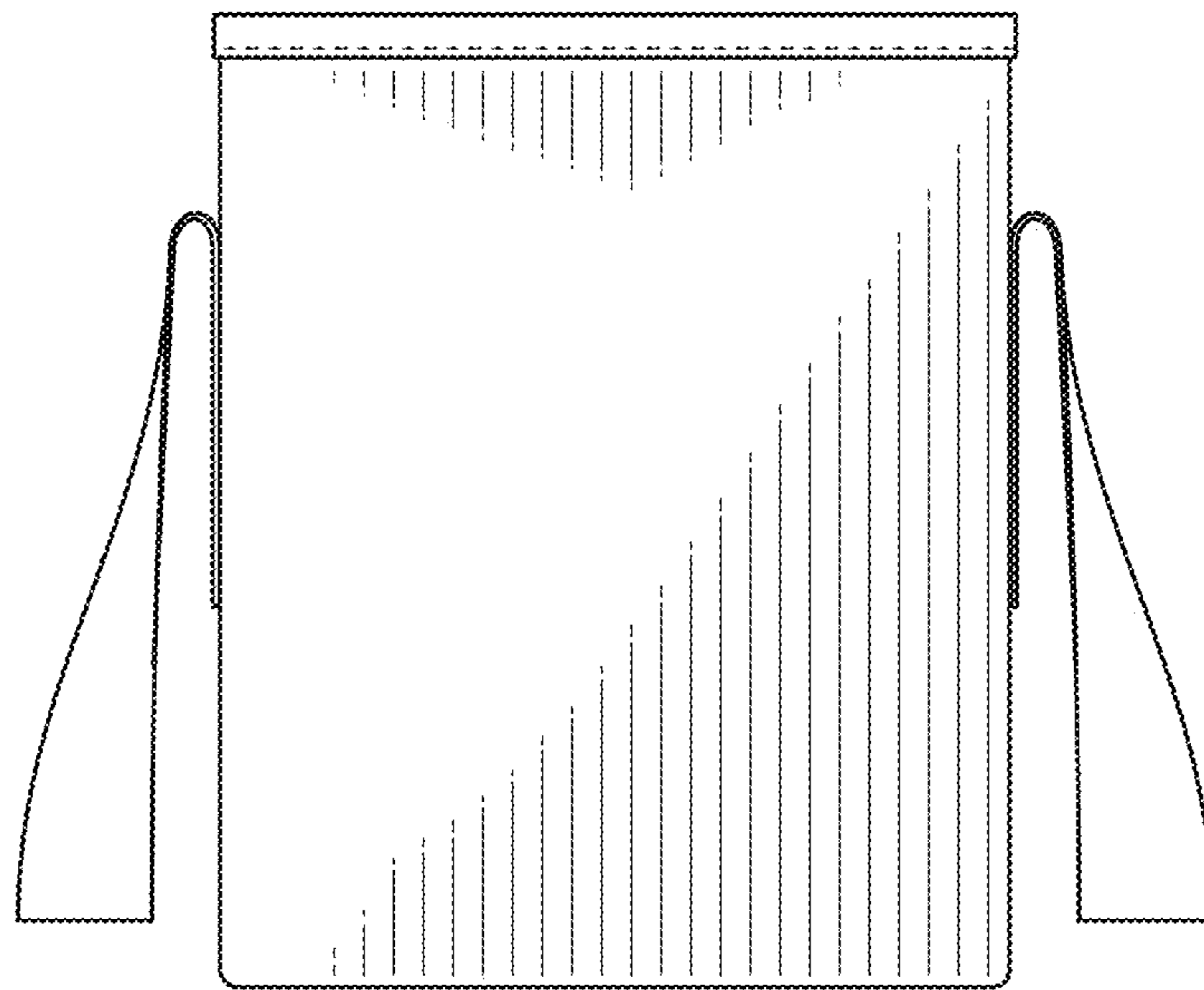


FIG. 17

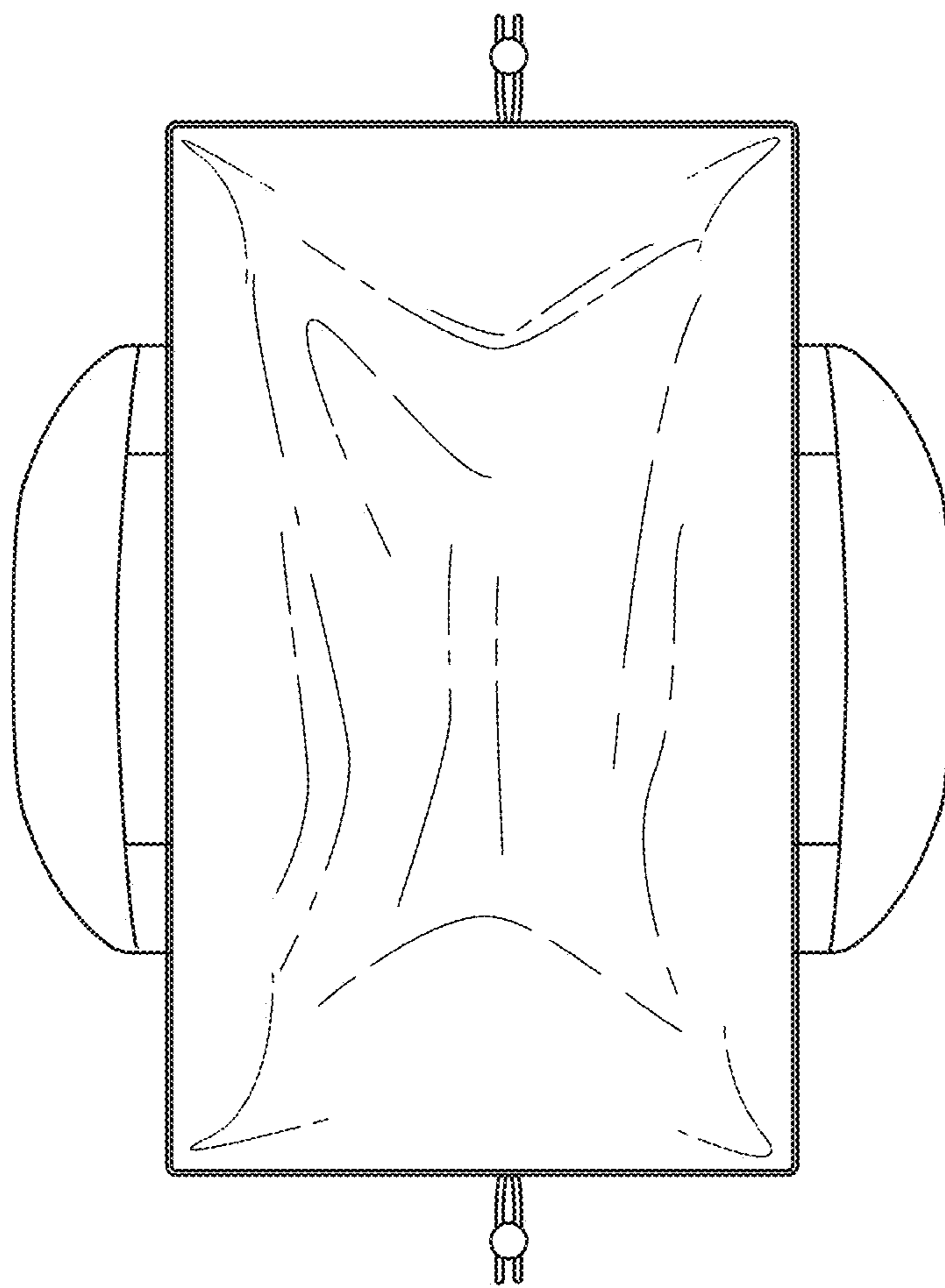


FIG. 18

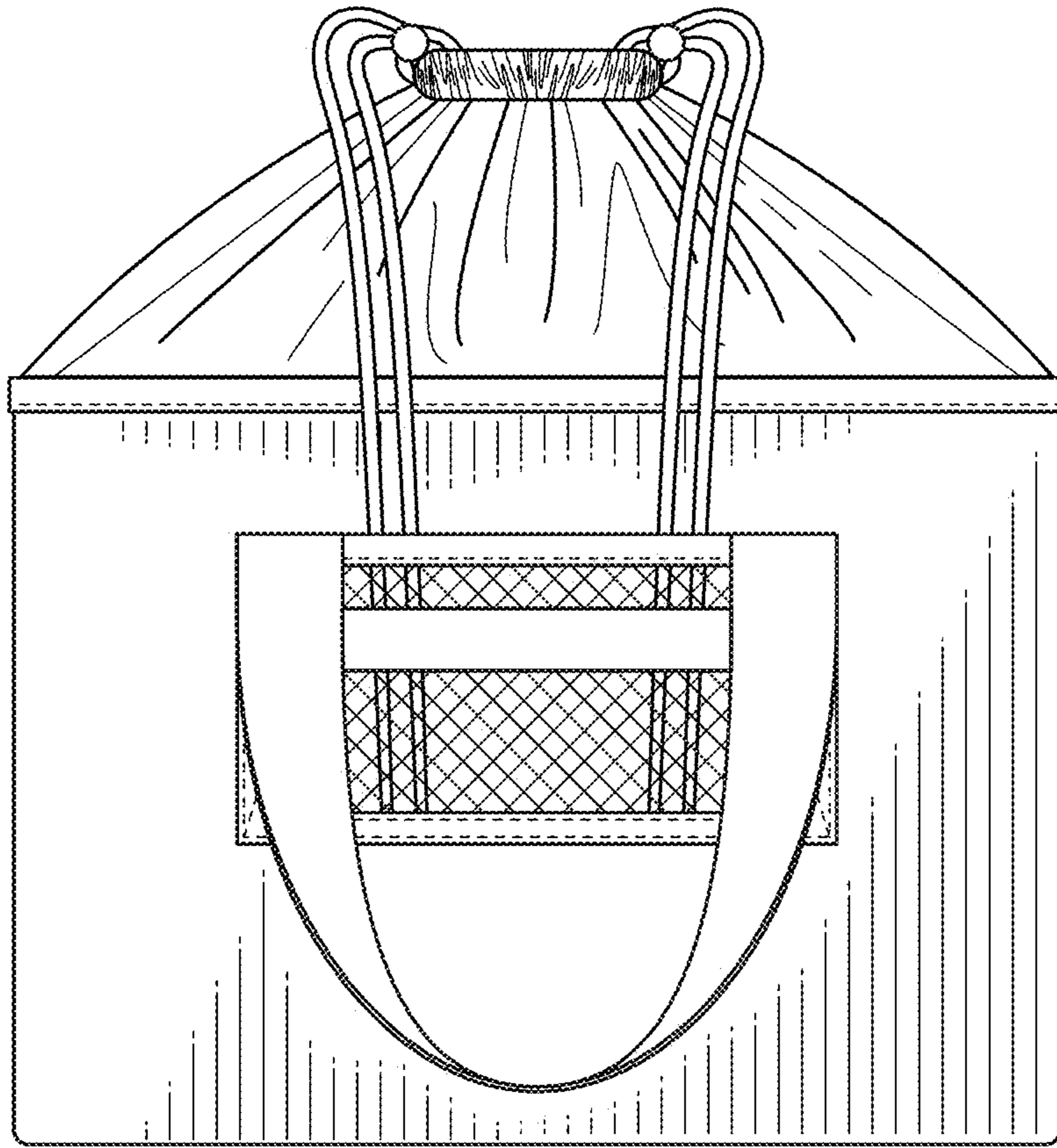


FIG. 19