



US00D875386S

(12) **United States Design Patent** (10) **Patent No.:** **US D875,386 S**
Lee et al. (45) **Date of Patent:** **** *Feb. 18, 2020**

(54) **BINOCULAR CASE**
(71) Applicant: **NIKON INC.**, Melville, NY (US)
(72) Inventors: **David C. Lee**, New Fairfield, CT (US);
Jeffrey Hunter, Shoreham, NY (US);
Randy A. Garrison, Northport, NY (US)

D648,522 S * 11/2011 Gorman D3/215
D710,085 S * 8/2014 Szewczyk D3/217
D717,537 S * 11/2014 Tsai D3/215
D726,407 S * 4/2015 Kuster D3/232
D772,562 S * 11/2016 Petre D3/216
D796,188 S * 9/2017 Ho D3/217
2003/0164321 A1* 9/2003 Ukitsu A45C 7/0086
206/581

(Continued)

(73) Assignee: **NIKON INC.**, Melville, NY (US)
(*) Notice: This patent is subject to a terminal disclaimer.

FOREIGN PATENT DOCUMENTS

EM 005246436-0001 * 6/2018

(**) Term: **15 Years**

OTHER PUBLICATIONS

(21) Appl. No.: **29/623,481**

TREX 360 Component Case, posted at nikonportoptics.com, no posting date available, online, URL:<http://www.nikonportoptics.com/en/nikon-products/sro-acc-cases/trex-360-component-case.html> (Year: 2018).*

(22) Filed: **Oct. 25, 2017**

(51) **LOC (12) Cl.** **03-01**

(52) **U.S. Cl.**
USPC **D3/217; D3/267**

Primary Examiner — Barbara Fox
Assistant Examiner — Mary Shannon Malley
(74) *Attorney, Agent, or Firm* — Oliff PLC

(58) **Field of Classification Search**
USPC D3/201, 213–219, 221, 224, 225, 226,
D3/230, 232, 233, 243–246, 254, 263,
D3/265, 267, 268, 269, 273, 274, 276,
D3/283, 287, 290, 299, 315, 318;
224/153, 155–157, 641–642, 644, 630
CPC A45C 3/08; A45C 3/06; A45C 3/00; A45C
13/08; A45C 13/02; A45C 13/26; A45C
7/0086; A45F 3/04; A45F 3/02; A45F
3/045; A45F 3/08; A45F 3/10; A45F
3/14; A45F 2005/00; A45F 2005/002;
A45F 2005/006

(57) **CLAIM**

The ornamental design for a binocular case, as shown and described.

See application file for complete search history.

DESCRIPTION

FIG. 1 is a front, top, left-side perspective view of the binocular case;
FIG. 2 is a front elevational view thereof;
FIG. 3 is a top plan view thereof;
FIG. 4 is a right-side elevational view thereof;
FIG. 5 is a left-side elevational view thereof;
FIG. 6 is a rear elevational view thereof;
FIG. 7 is a bottom plan view thereof; and,
FIG. 8 is a front, top, left-side perspective view thereof in an open state.

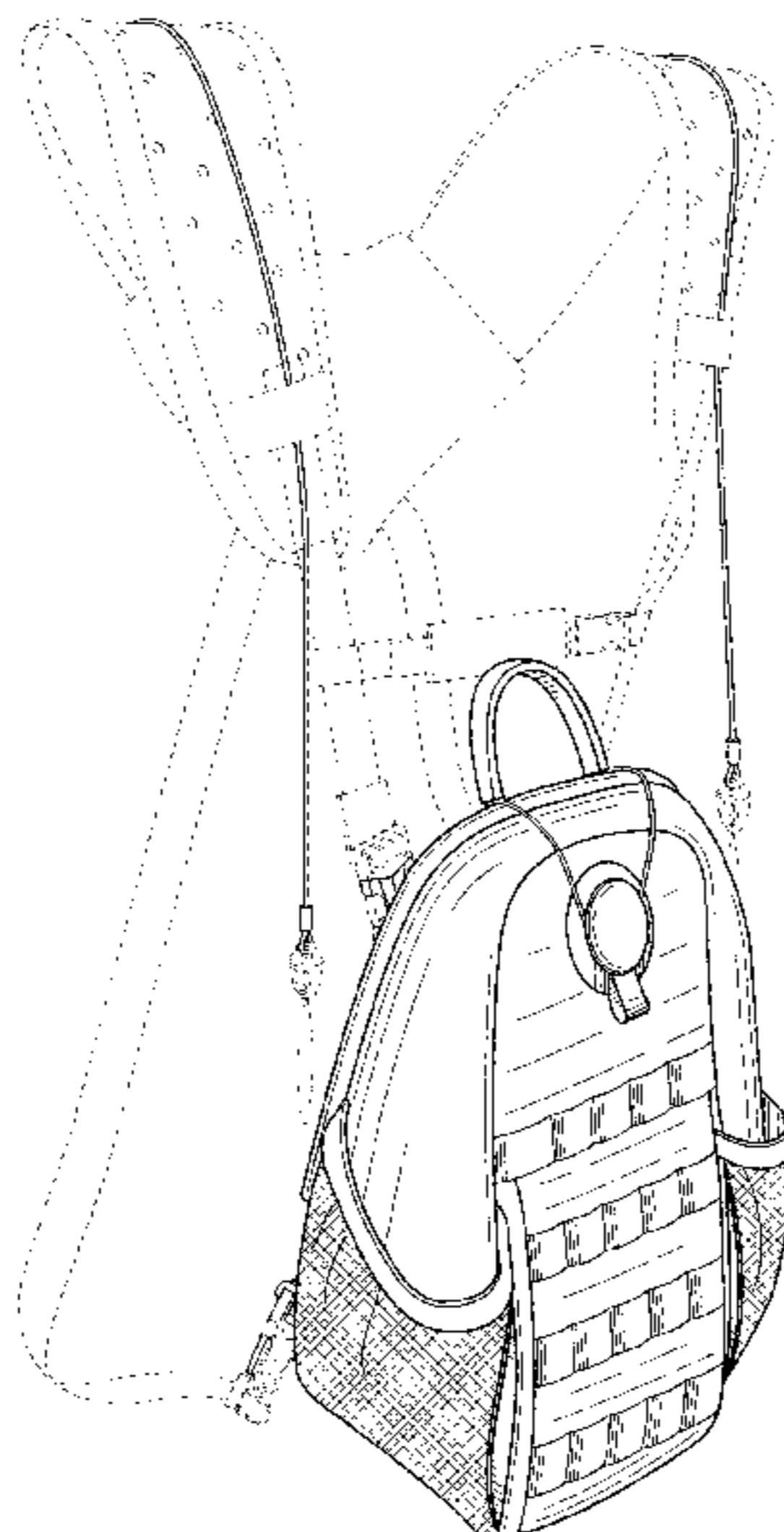
The broken lines depict unclaimed parts of the binocular case, and thus form no part of the claimed design.

(56) **References Cited**

U.S. PATENT DOCUMENTS

D351,943 S * 11/1994 Young D3/216
D444,942 S * 7/2001 Melnick D3/216
D601,341 S * 10/2009 Arman D3/263
D630,427 S * 1/2011 McGuire D3/216

1 Claim, 7 Drawing Sheets



(56)

References Cited

U.S. PATENT DOCUMENTS

2008/0210728 A1* 9/2008 Bihn A45F 3/04
224/576
2015/0374105 A1* 12/2015 Rowe A45F 3/04
224/645

* cited by examiner

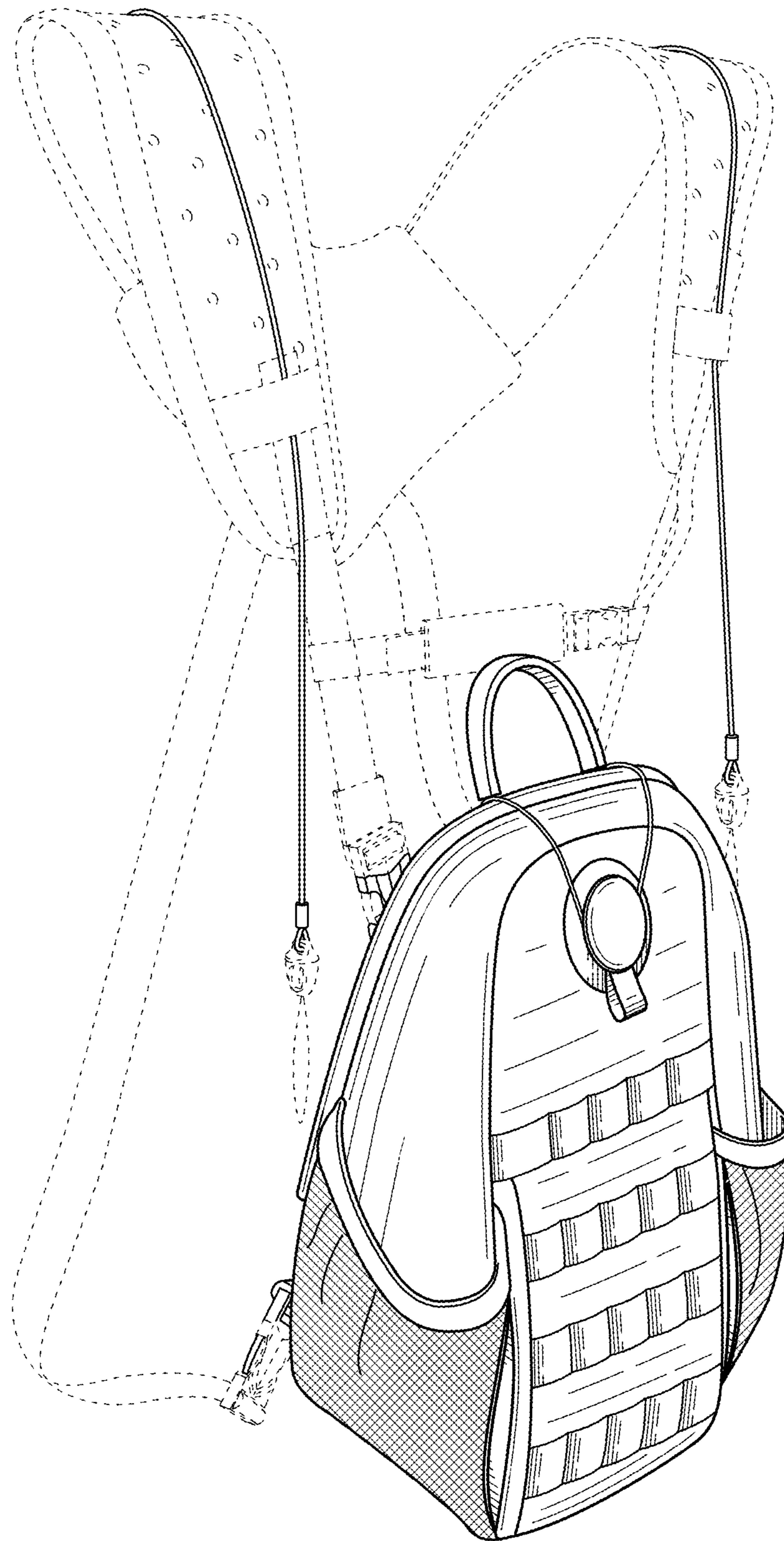


FIG. 1

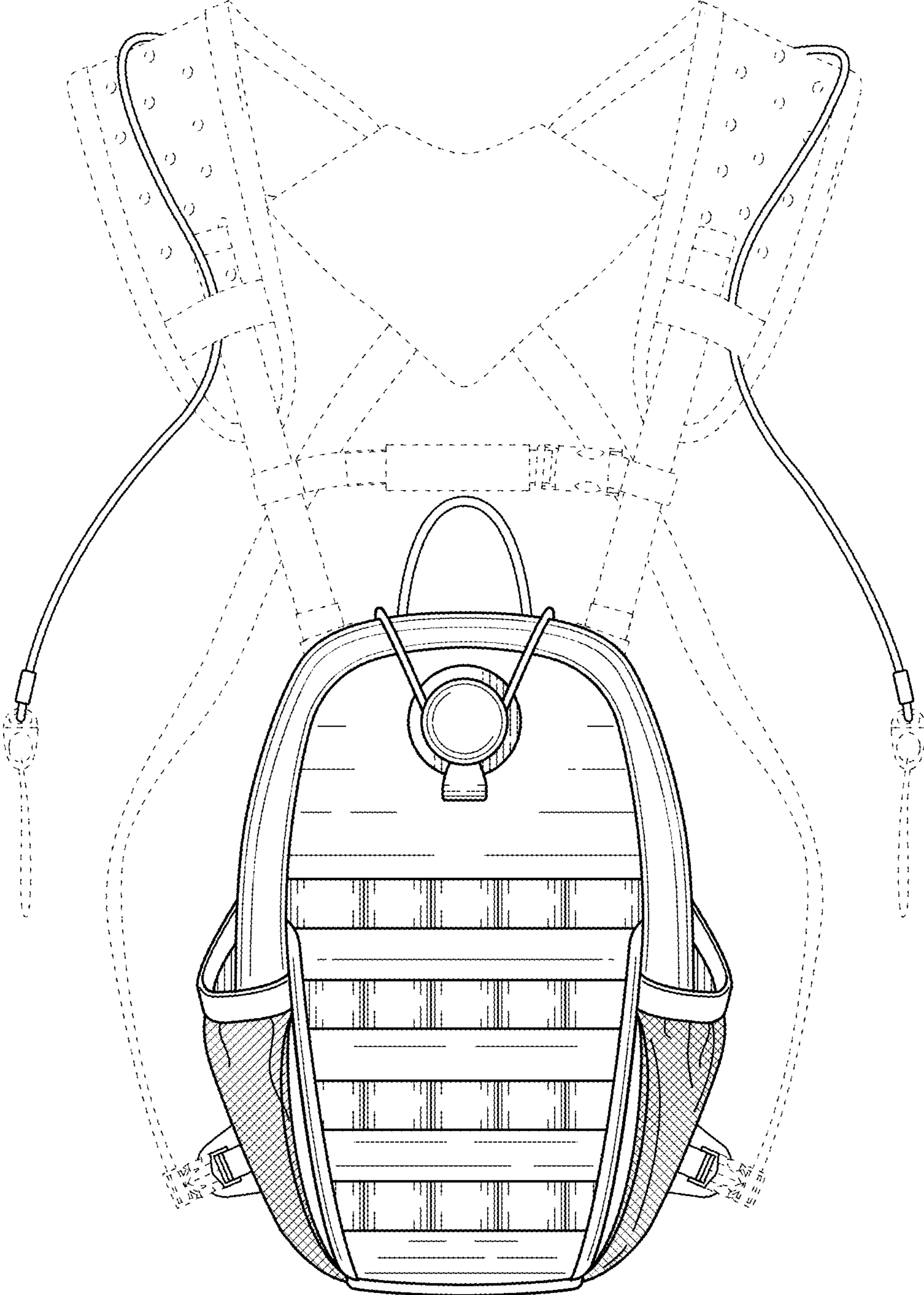


FIG. 2

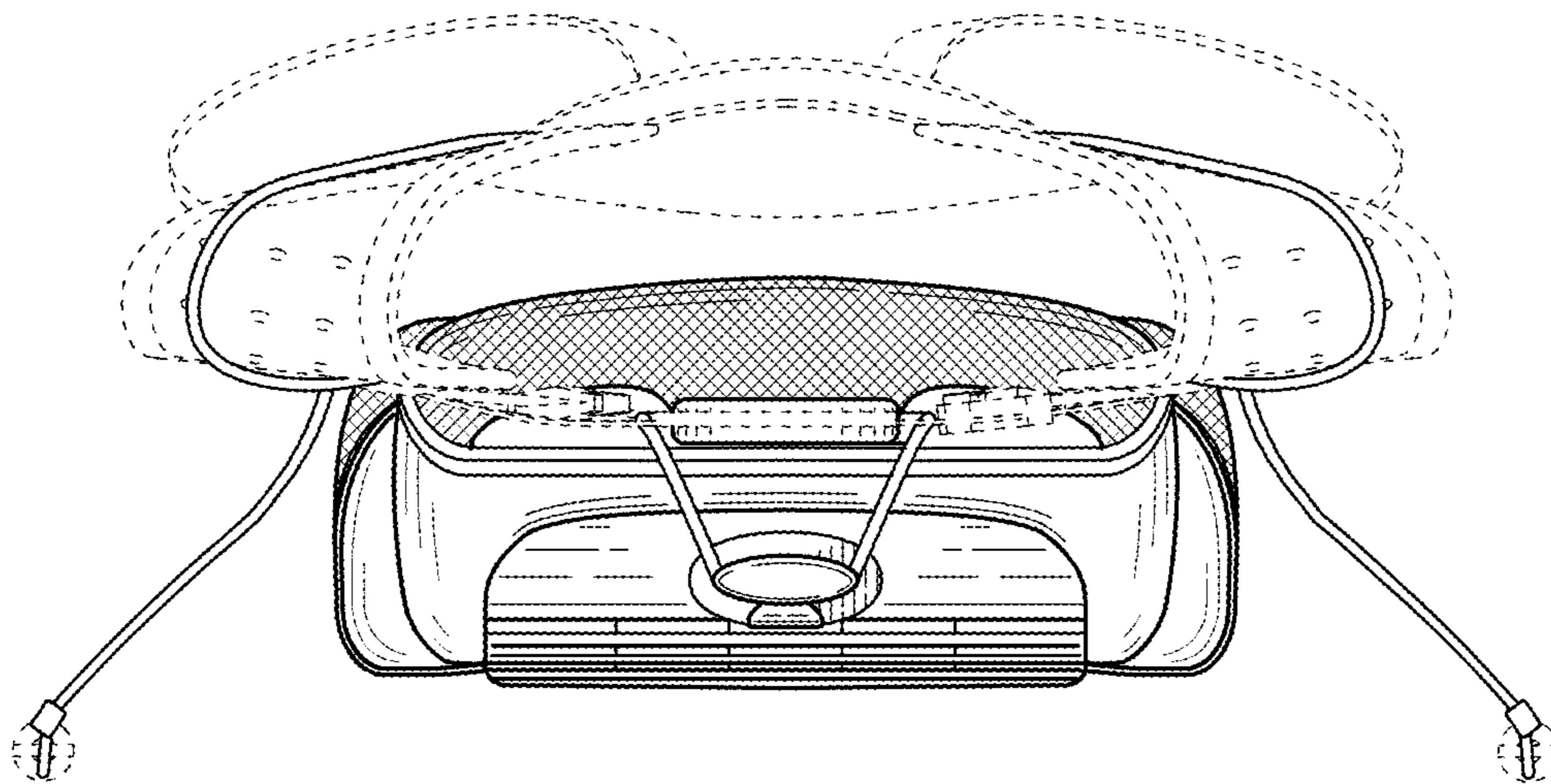


FIG. 3

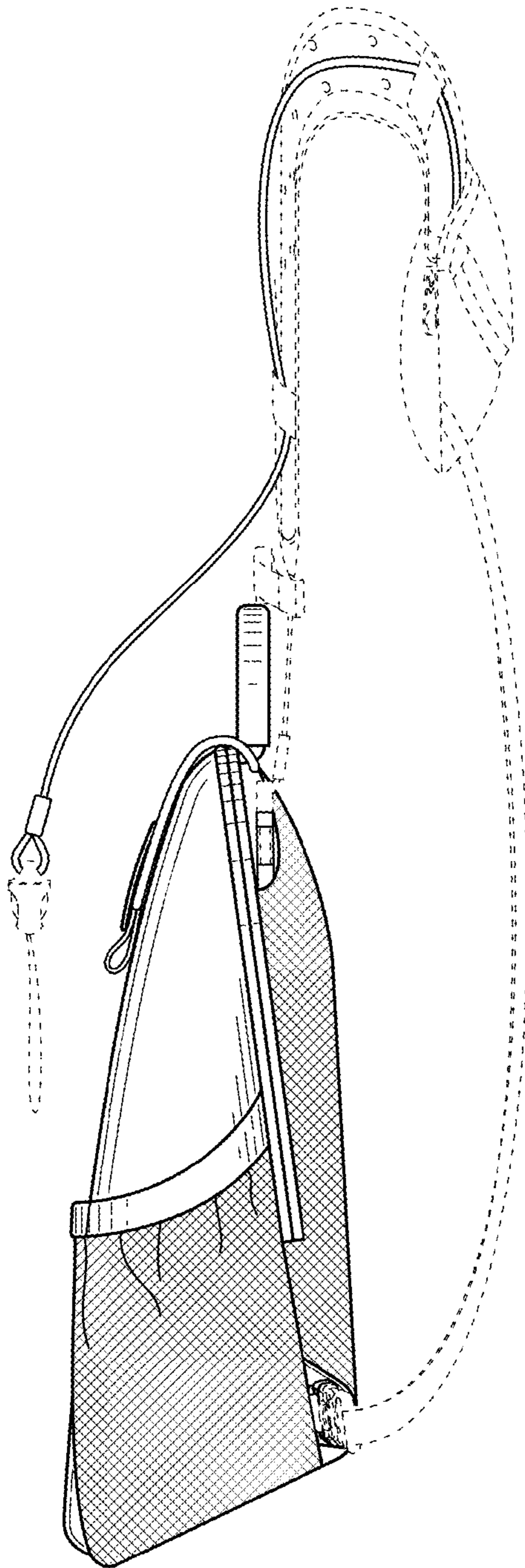


FIG. 4

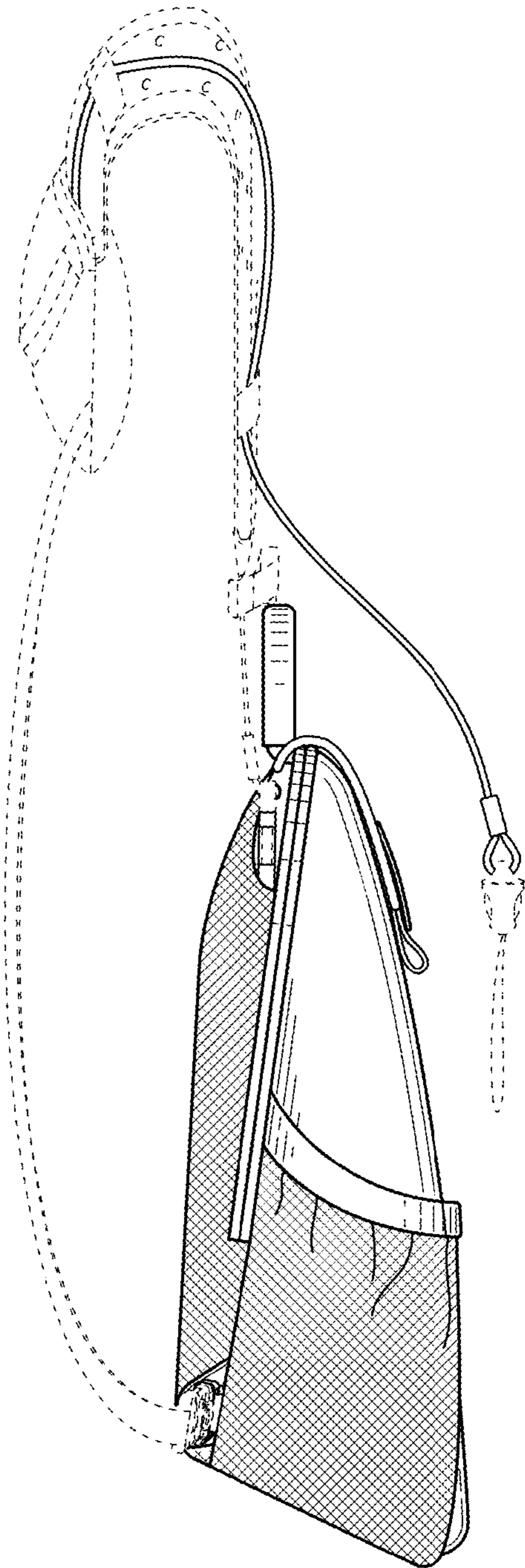


FIG. 5

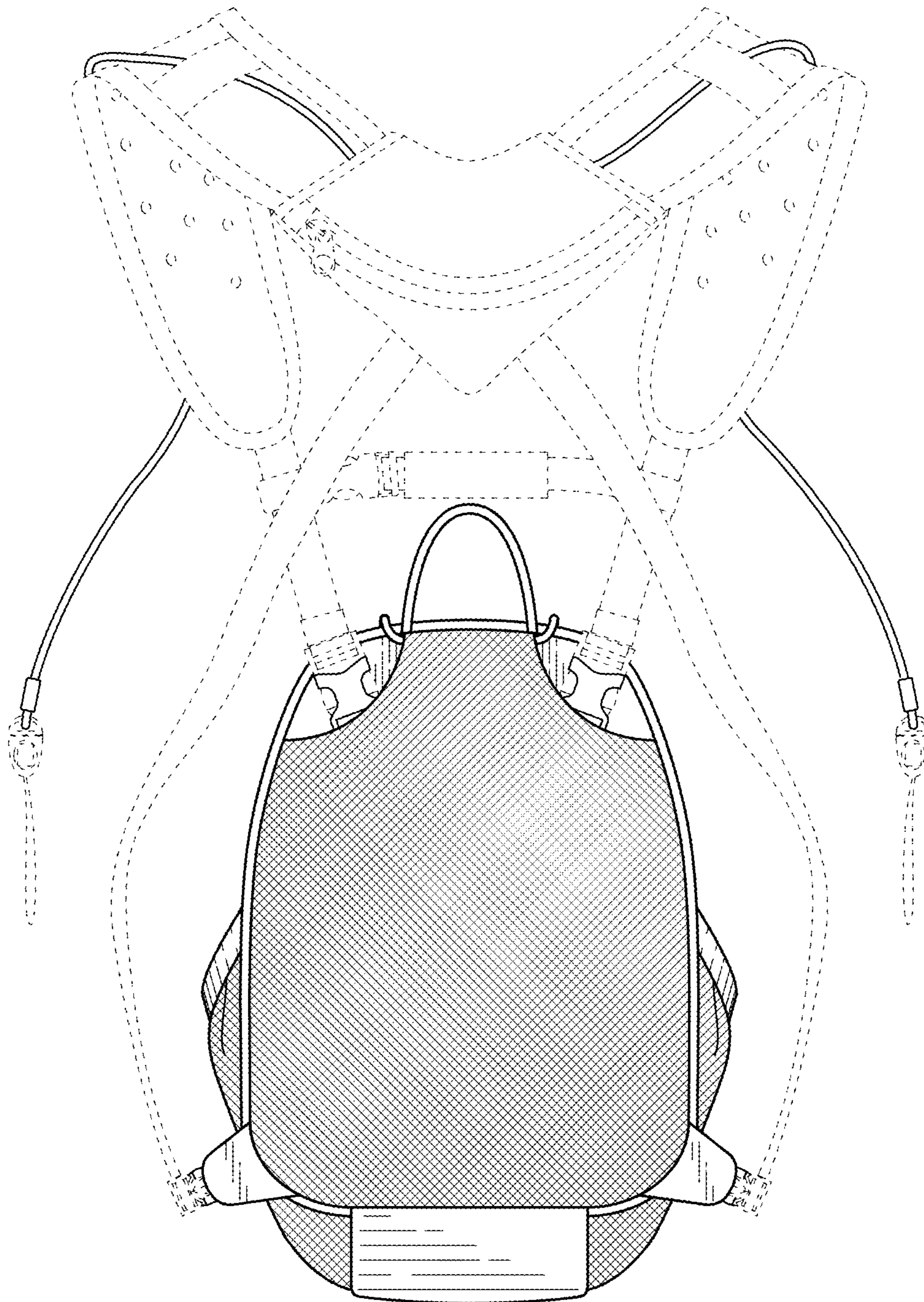


FIG. 6

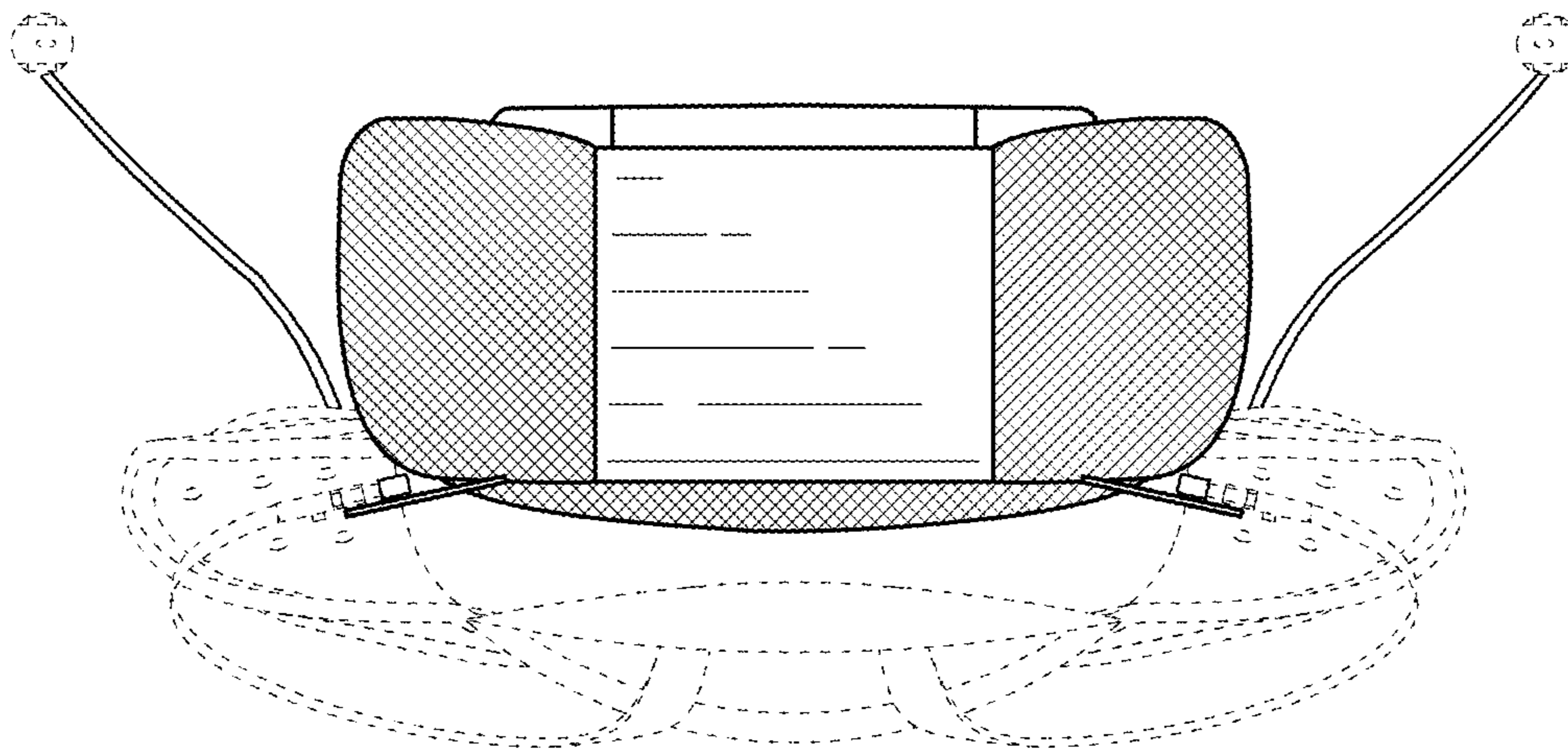


FIG. 7

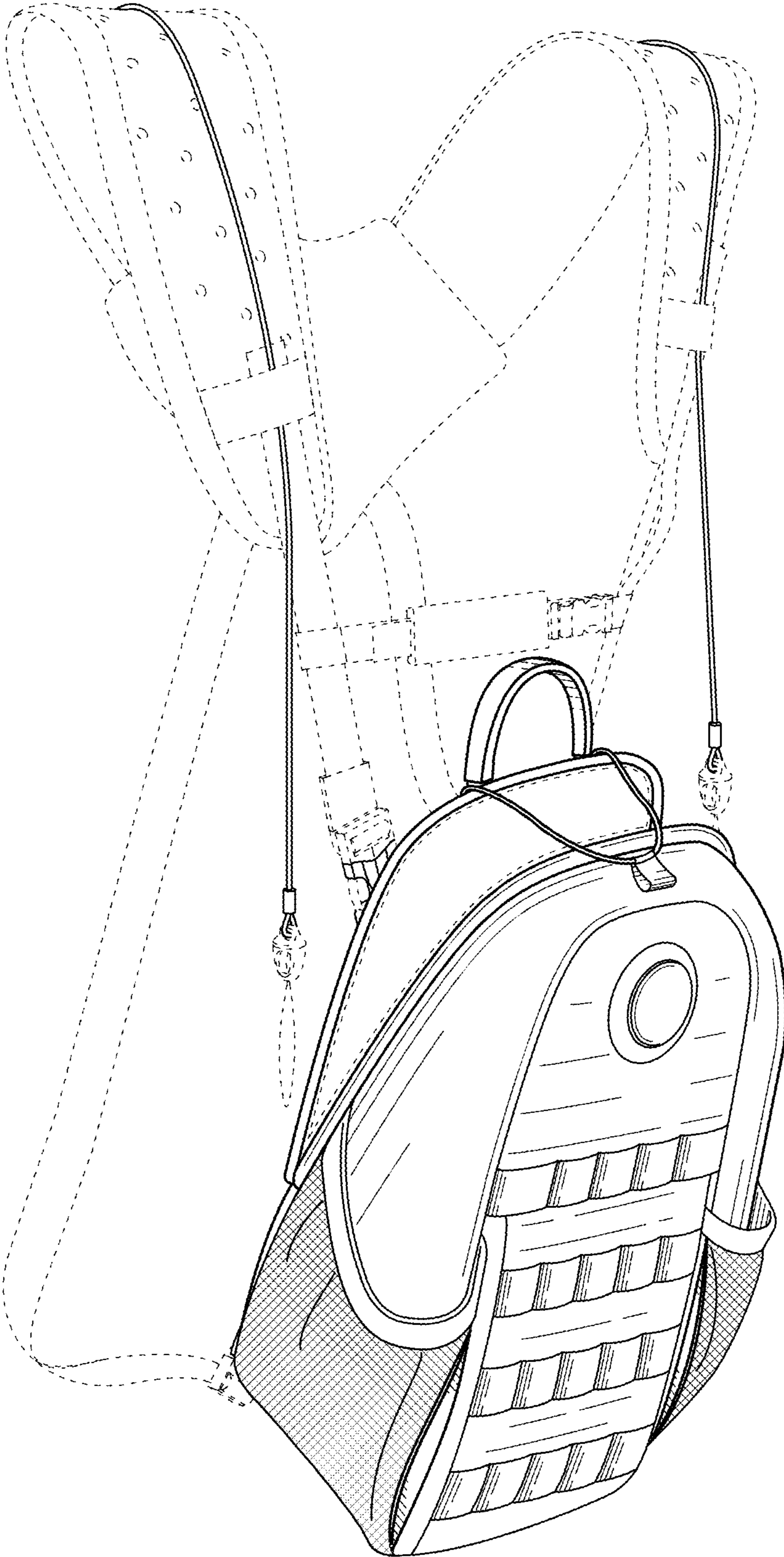


FIG. 8