



US00D875385S

(12) **United States Design Patent** (10) **Patent No.:** **US D875,385 S**
Carter et al. (45) **Date of Patent:** **** Feb. 18, 2020**

(54) **BACKPACK**

OTHER PUBLICATIONS

- (71) Applicant: **Skip Hop, Inc.**, New York, NY (US)
- (72) Inventors: **Chelsea Carter**, Jersey City, NJ (US);
Ranhee Butler, Hawthorne, NY (US);
Ellen Diamant, New York, NY (US)
- (73) Assignee: **SKIP HOP, INC.**, New York, NY (US)
- (**) Term: **15 Years**
- (21) Appl. No.: **29/611,055**
- (22) Filed: **Jul. 18, 2017**
- (51) **LOC (12) Cl.** **03-01**
- (52) **U.S. Cl.**
USPC **D3/217**
- (58) **Field of Classification Search**
USPC D3/216, 217
CPC A45F 3/04; A45F 4/02
See application file for complete search history.

YouTube What's in My Hospital Bag/ Skip Hop Forma, Published online Aug. 31, 2015, Mar. 5, 2019, available online at URL: <https://www.youtube.com/watch?v=XAIXTWx2bhY>.
Skip Hop Forma Diaper Bag; from website www.skiphop.com, accessed on Jul. 18, 2017.

* cited by examiner

Primary Examiner — Jennifer L Watkins

(74) *Attorney, Agent, or Firm* — Stephen J. Weyer, Esq.;
Stites & Harbison, PLLC

(57) **CLAIM**

The ornamental design for a backpack, as shown and described.

(56) **References Cited**

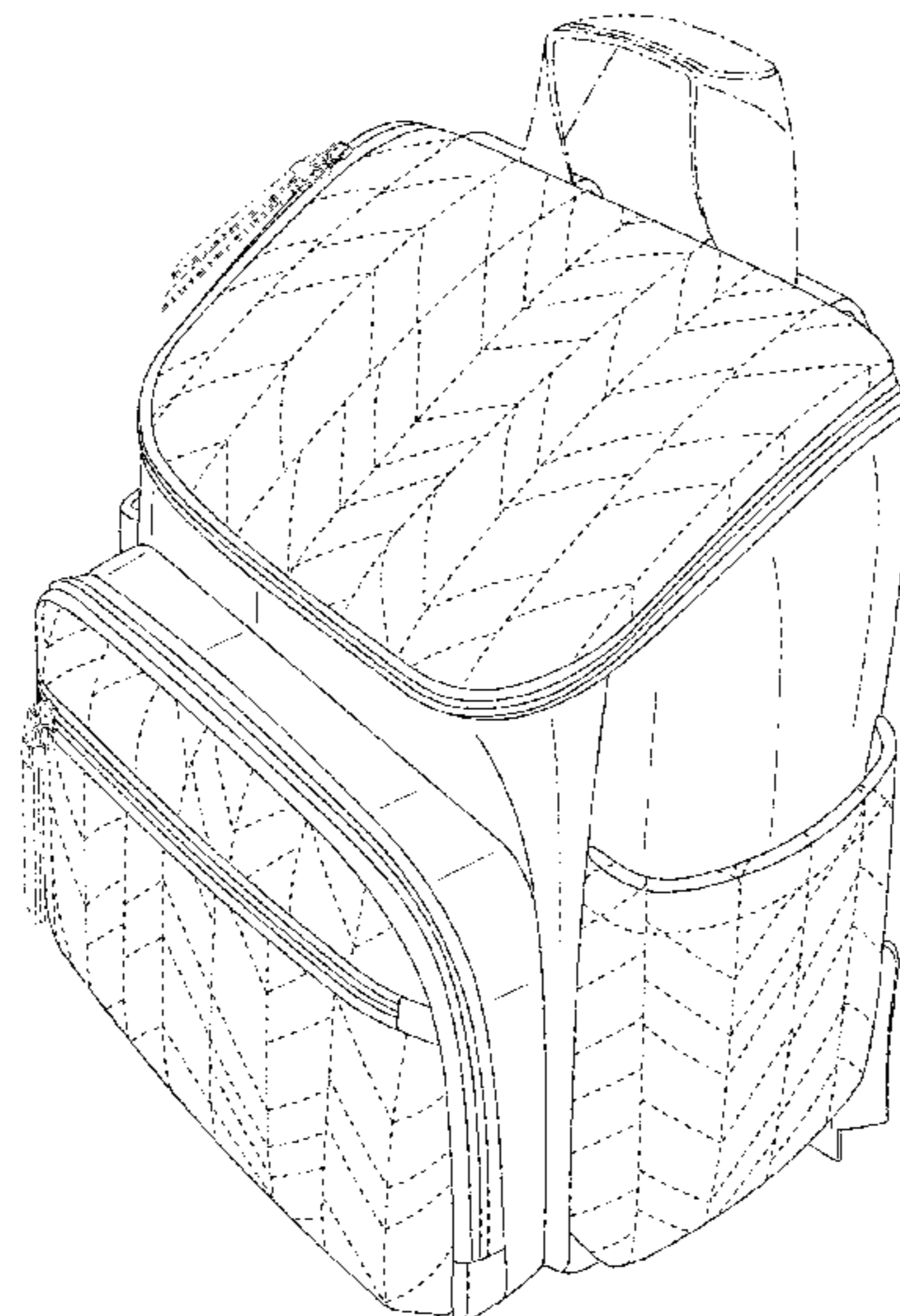
DESCRIPTION

U.S. PATENT DOCUMENTS

D543,021 S *	5/2007	Lee	D3/216
D690,095 S *	9/2013	Garcia	D3/217
D702,434 S *	4/2014	Chalk	D3/216
D707,040 S *	6/2014	Pittman	D3/205
D714,541 S *	10/2014	Anderson	D3/217
D742,631 S *	11/2015	Kim	D3/217
D771,373 S *	11/2016	Kim	D3/217
D841,318 S *	2/2019	Carter	D3/217
2005/0045673 A1 *	3/2005	Godshaw	A45C 7/0036 224/153
2005/0077329 A1 *	4/2005	Sconzo	A45F 3/04 224/153
2010/0140307 A1 *	6/2010	Almoumen	A45F 3/04 224/155

FIG. 1 is a top, front and right side perspective view of the backpack showing our new design.
FIG. 2 is a left side elevational view thereof.
FIG. 3 is a right side elevational view thereof.
FIG. 4 is a bottom plan view thereof.
FIG. 5 is a top plan view thereof.
FIG. 6 is a front elevational view thereof; and,
FIG. 7 is a rear elevational view thereof.
The evenly dashed broken lines in the figures depict claimed stitching. The dash dot dash lines depict environment and form no part of the claim.

1 Claim, 7 Drawing Sheets



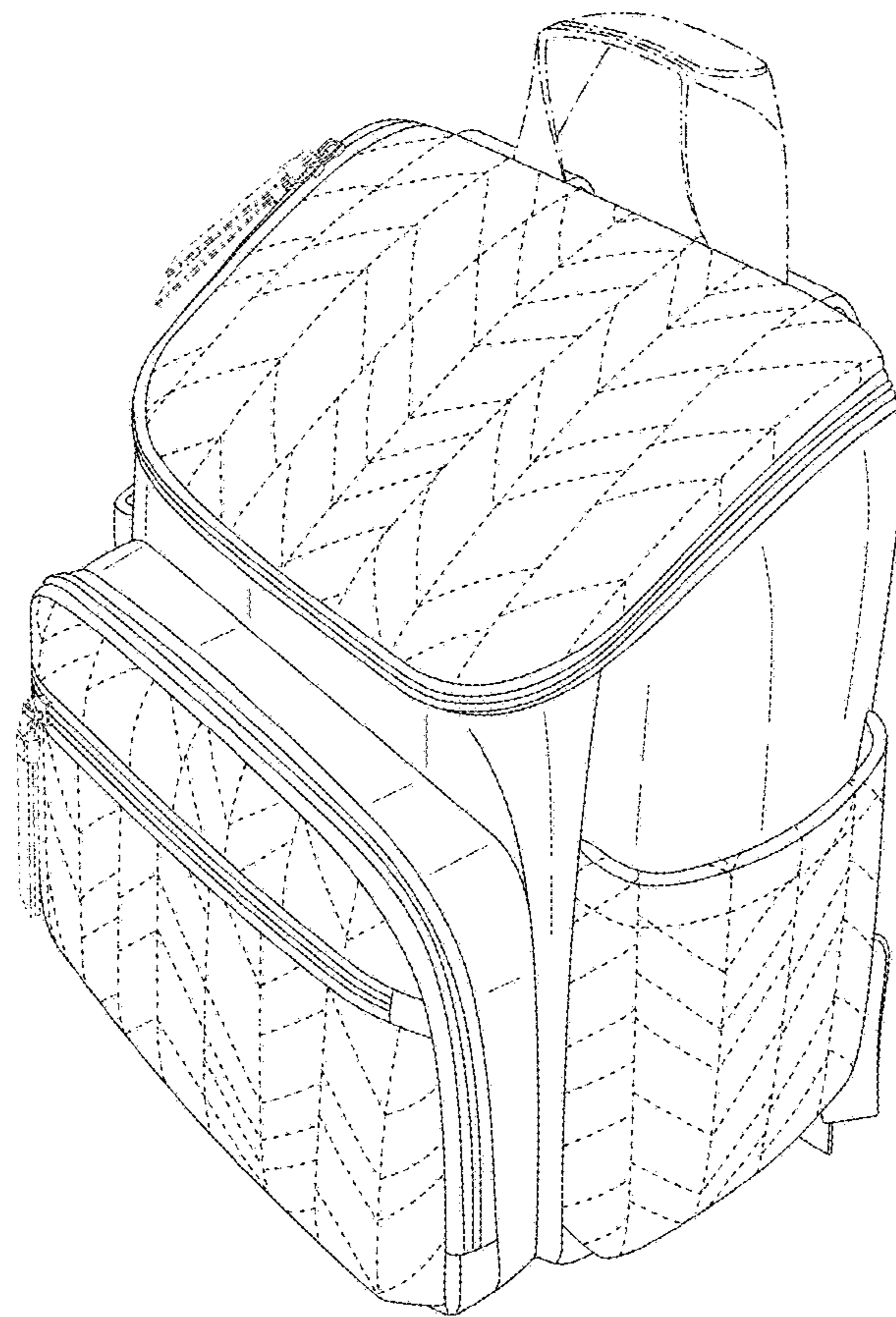


FIG. 1

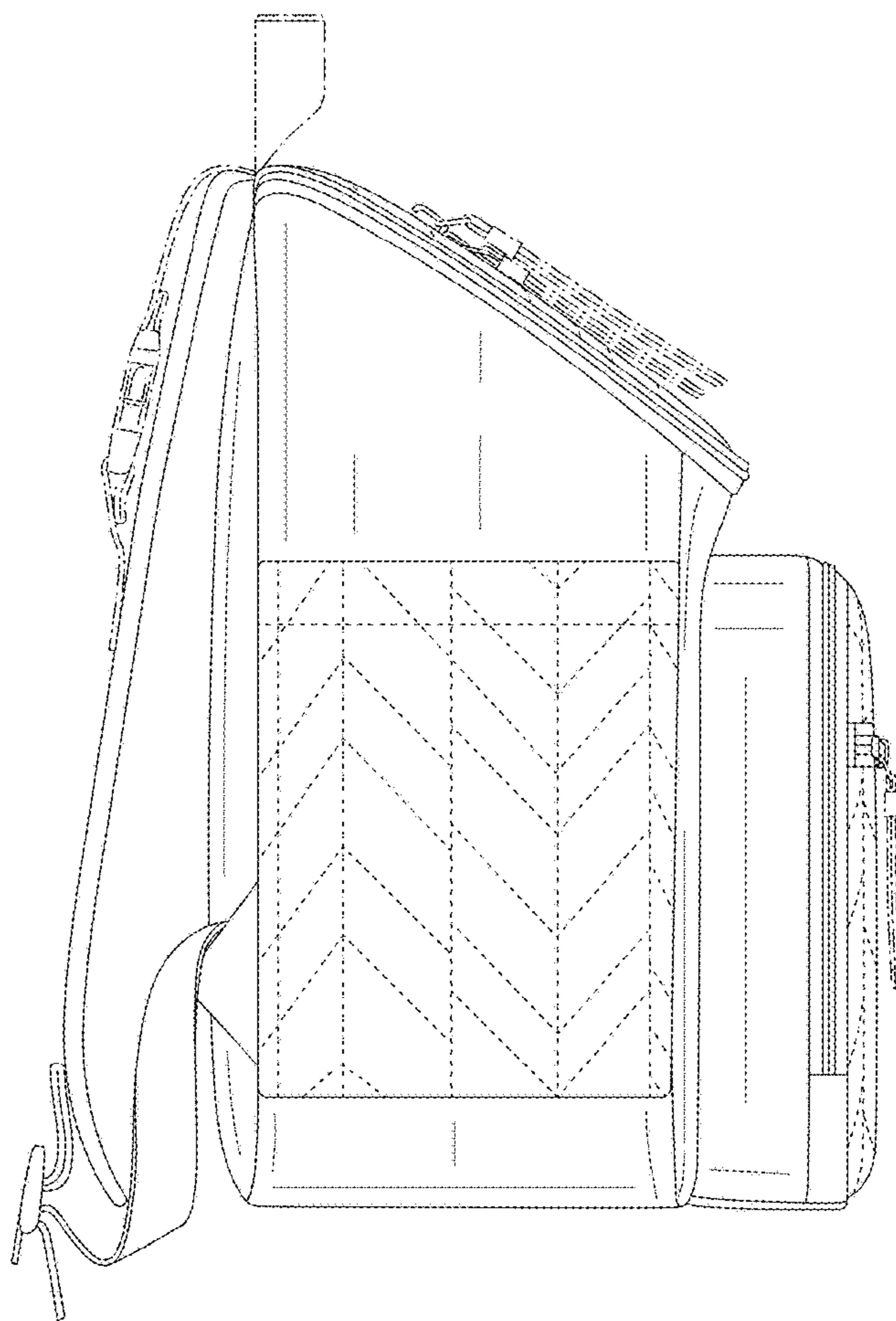


FIG. 2

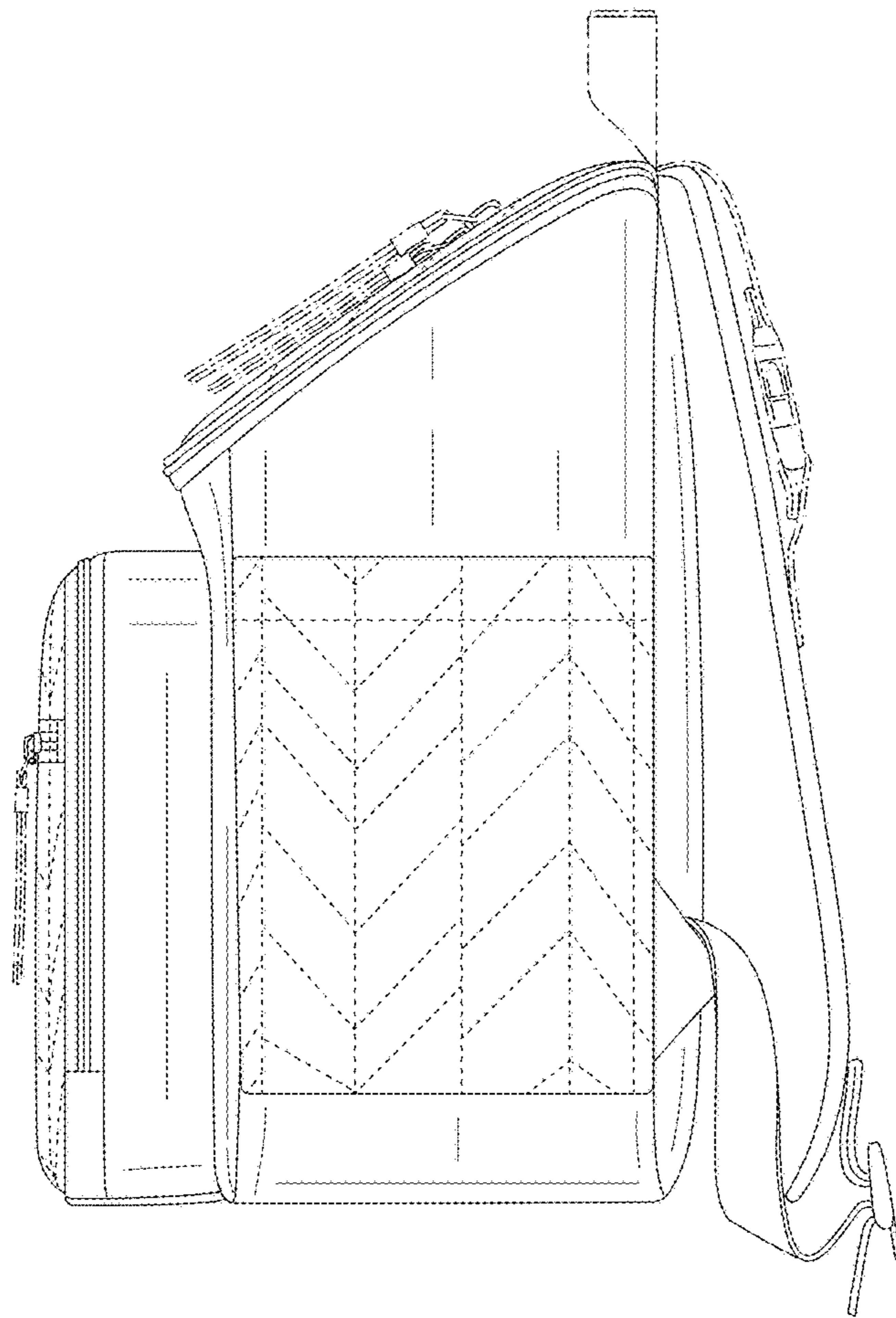


FIG. 3

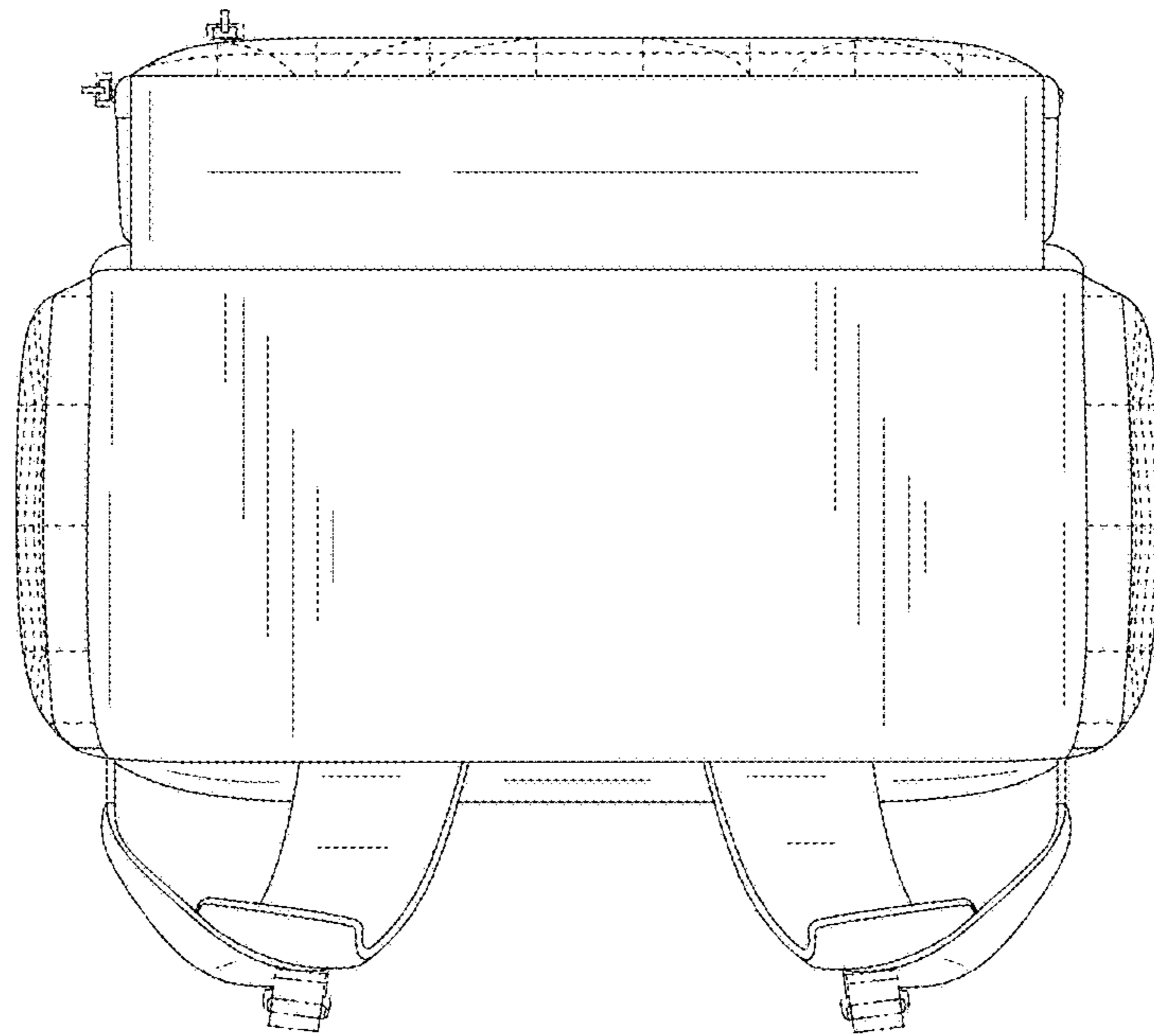


FIG. 4

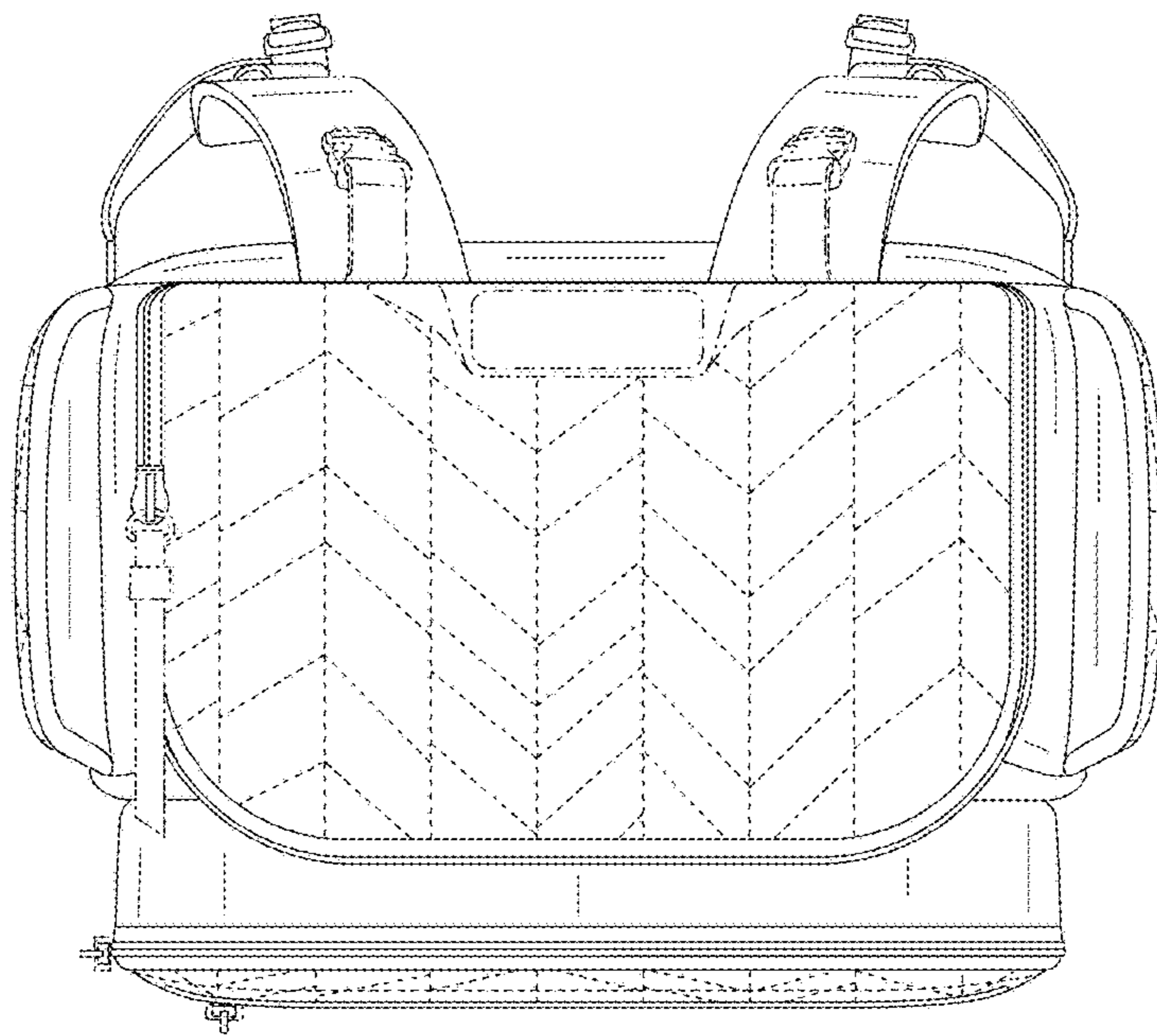


FIG. 5

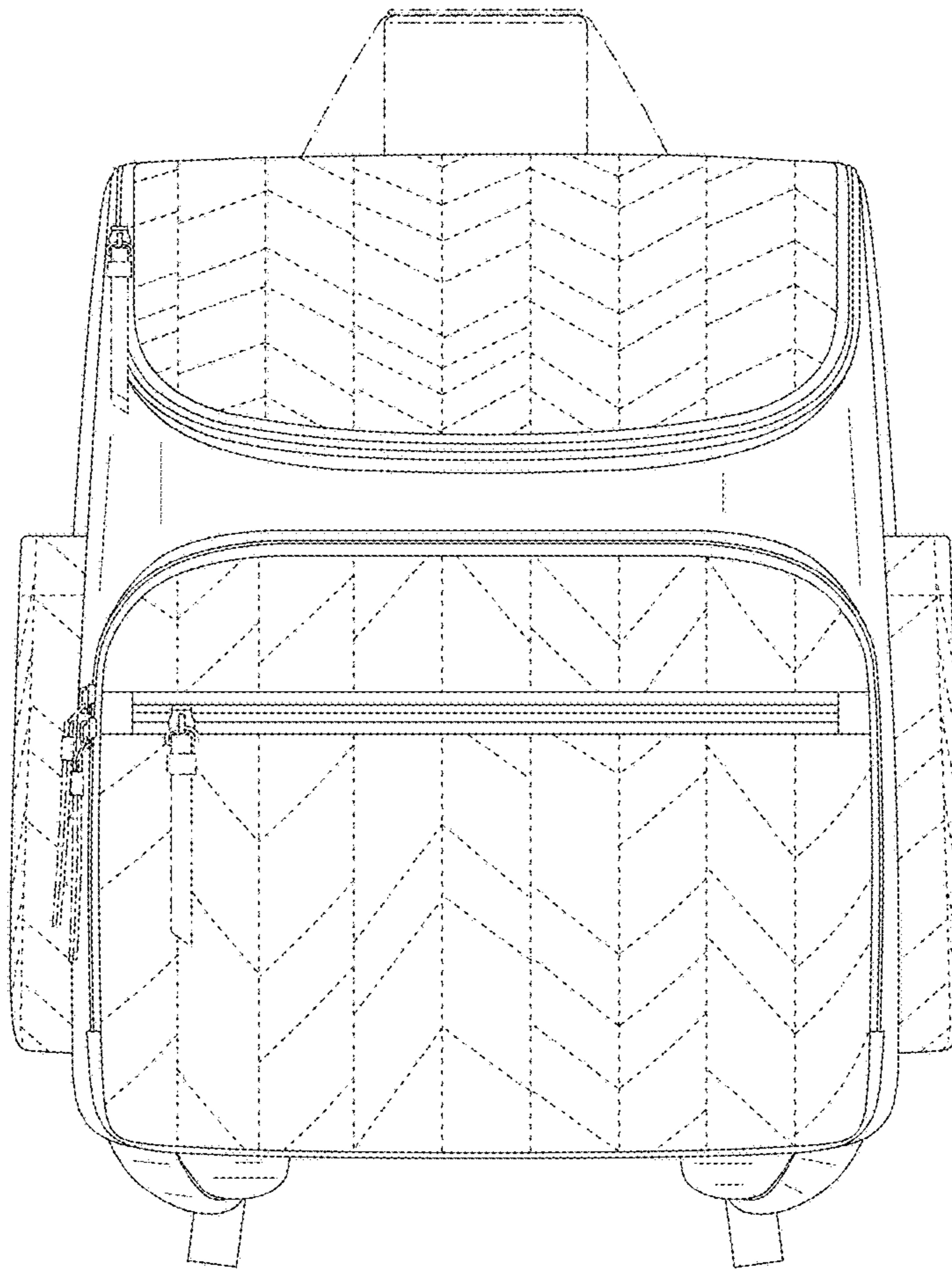


FIG. 6

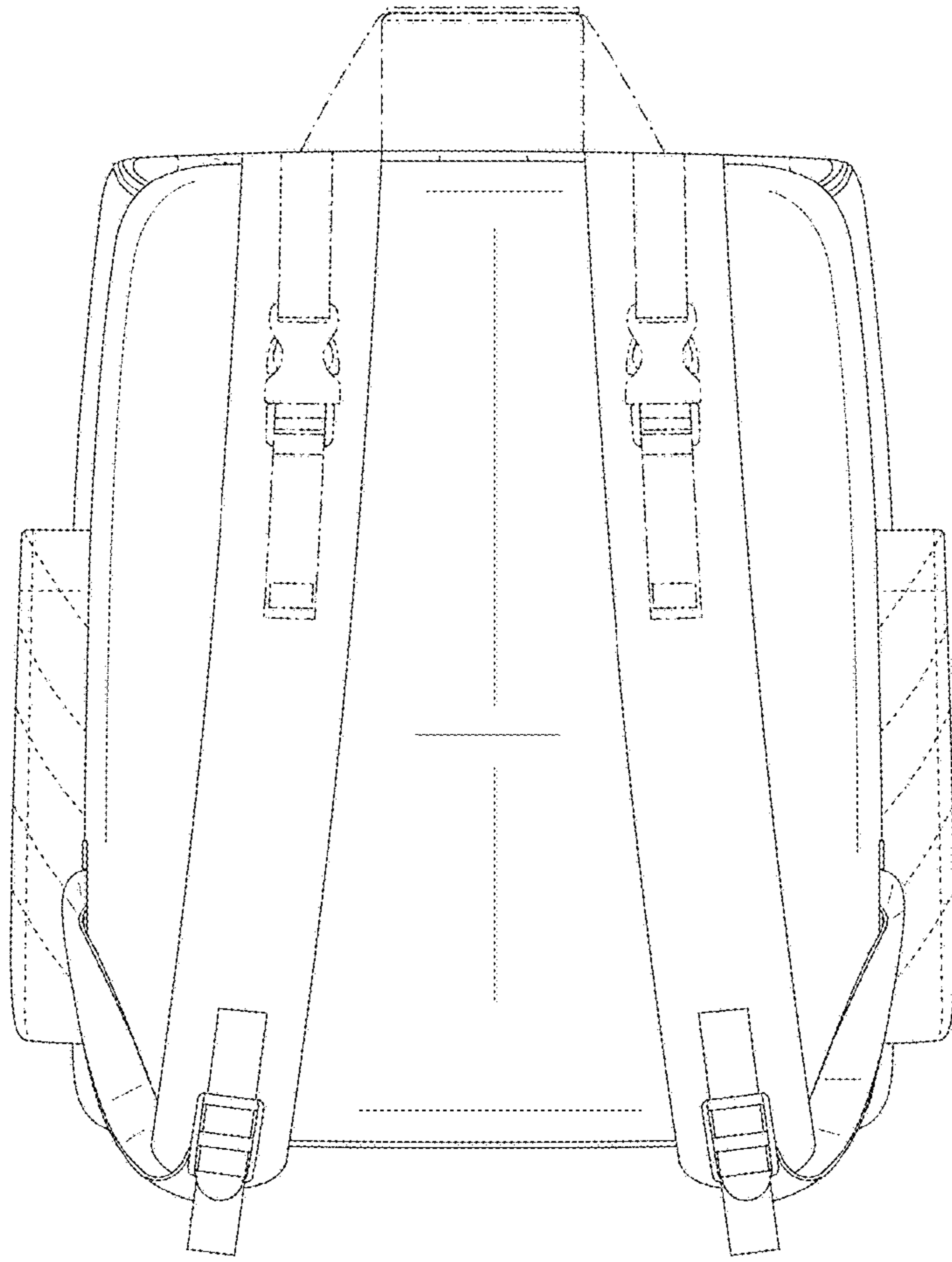


FIG. 7