



US00D875357S

(12) **United States Design Patent**
Martin

(10) **Patent No.:** **US D875,357 S**

(45) **Date of Patent:** **** Feb. 18, 2020**

(54) **SANDAL**

(71) Applicant: **Pedi Licious LLC**, Morganville, NJ
(US)

(72) Inventor: **Premise Martin**, Morganville, NJ (US)

(73) Assignee: **Pedi Licious, LLC**, Morganville, NJ
(US)

(**) Term: **15 Years**

(21) Appl. No.: **29/670,606**

(22) Filed: **Nov. 17, 2018**

(51) **LOC (12) Cl.** **02-04**

(52) **U.S. Cl.**
USPC **D2/917**

(58) **Field of Classification Search**
USPC D2/896–900, 916–918, 925, 923, 926,
D2/929–936, 943, 969, 971
CPC A43B 23/24; A43B 3/12; A43B 3/122;
A43B 3/10
See application file for complete search history.

(56) **References Cited**

U.S. PATENT DOCUMENTS

| | | | | | |
|---------------|---------|-----------|-------|-------------|---------|
| 1,977,995 A * | 10/1934 | Morali | | A43B 3/0078 | 36/11.5 |
| D548,932 S * | 8/2007 | Choi | | D2/917 | |
| D554,844 S * | 11/2007 | Choi | | D2/971 | |
| D571,095 S * | 6/2008 | Clifford | | A43B 3/0078 | D2/946 |
| D606,731 S * | 12/2009 | Bridges | | D2/917 | |
| D646,870 S * | 10/2011 | Patterson | | D2/917 | |
| D660,561 S * | 5/2012 | Dushey | | D2/916 | |

| | | | | | |
|--------------|---------|----------|-------|--------|--|
| D665,978 S * | 8/2012 | Green | | D2/917 | |
| D676,632 S * | 2/2013 | Martin | | | |
| D693,100 S * | 11/2013 | Dushey | | D2/917 | |
| D730,632 S * | 6/2015 | Dushey | | D2/917 | |
| D781,538 S * | 3/2017 | Mitchell | | D2/916 | |

* cited by examiner

Primary Examiner — Rashida C. Walshon

(74) *Attorney, Agent, or Firm* — Jordan IP Law, LLC;
Todd A. Vaughn

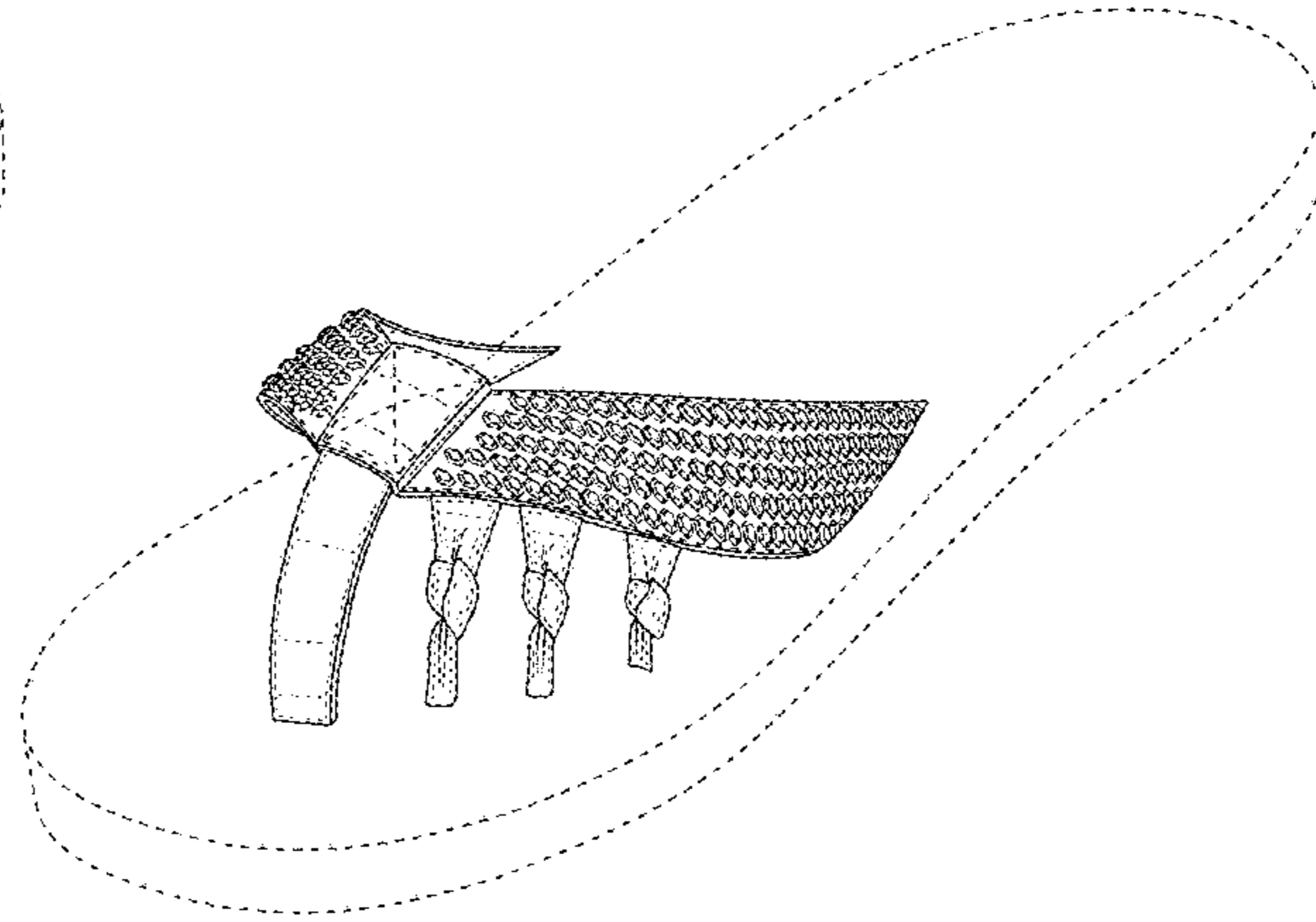
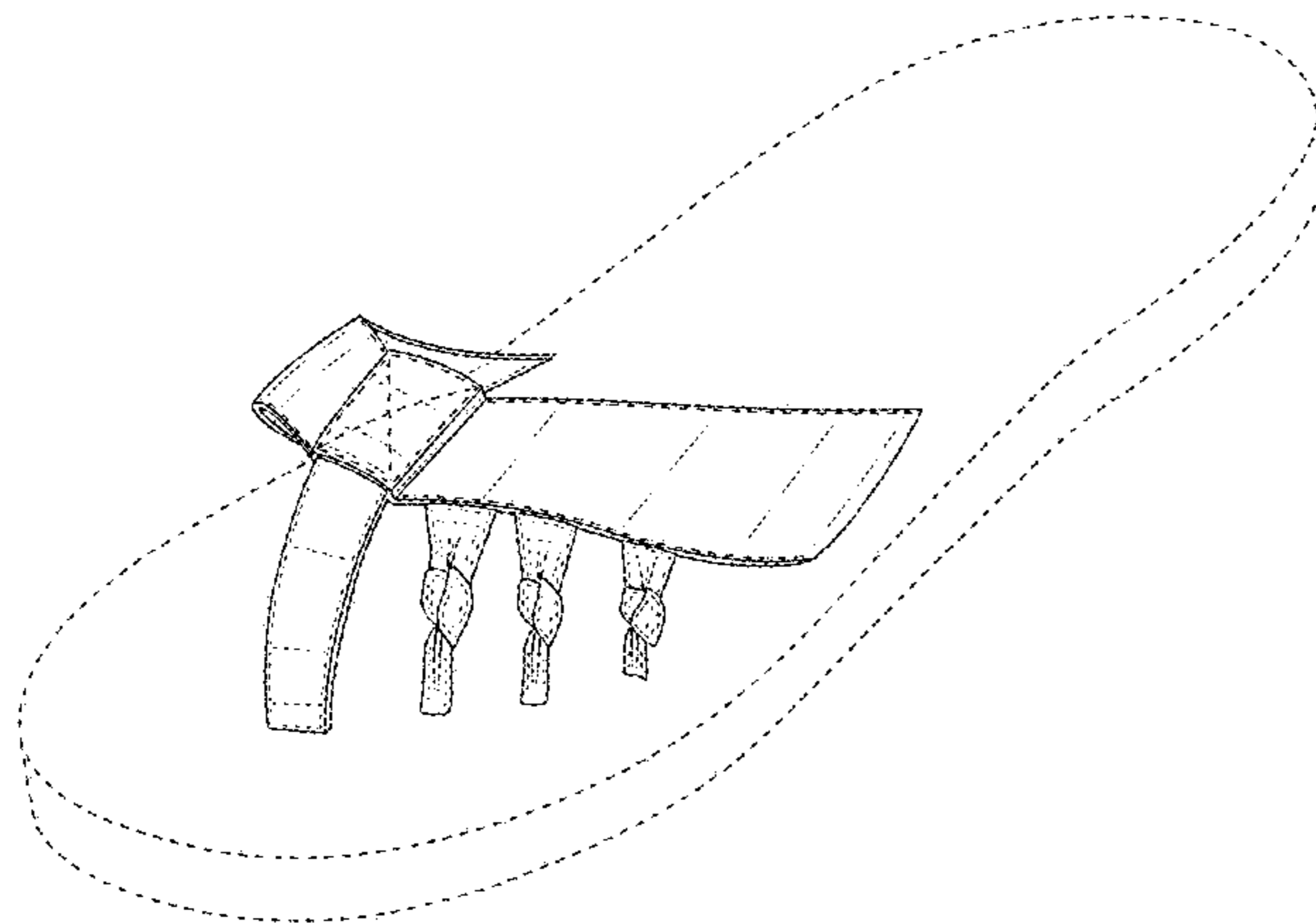
(57) **CLAIM**

The ornamental design for a sandal, as shown and described.

DESCRIPTION

FIG. 1 is a perspective view of the first embodiment of a sandal;
 FIG. 2 is a front view of the sandal of FIG. 1;
 FIG. 3 is a rear view of the sandal of FIG. 1;
 FIG. 4 is a right side view of the sandal of FIG. 1;
 FIG. 5 is a left side view of the sandal of FIG. 1;
 FIG. 6 is a top view of the sandal of FIG. 1;
 FIG. 7 is a bottom view of the sandal of FIG. 1;
 FIG. 8 is a perspective view of the second embodiment of a sandal;
 FIG. 9 is a front view of the sandal of FIG. 8;
 FIG. 10 is a rear view of the sandal of FIG. 8;
 FIG. 11 is a right side view of the sandal of FIG. 8;
 FIG. 12 is a left side view of the sandal of FIG. 8;
 FIG. 13 is a top view of the sandal of FIG. 8; and,
 FIG. 14 is a bottom view of the sandal of FIG. 8.
 Broken line of the figures are illustrative and depict environment that form no part of the claimed design.

1 Claim, 14 Drawing Sheets



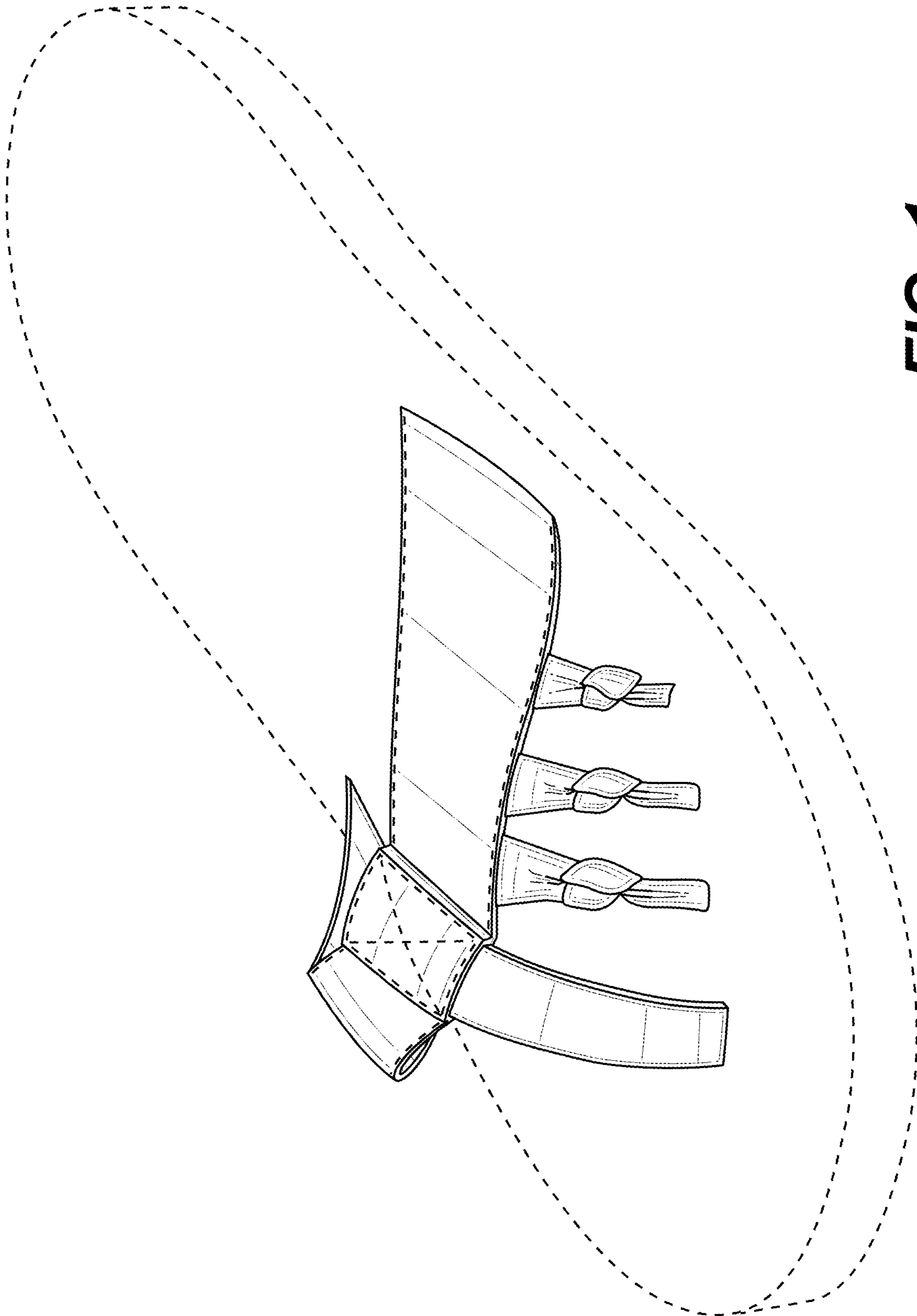


FIG. 1

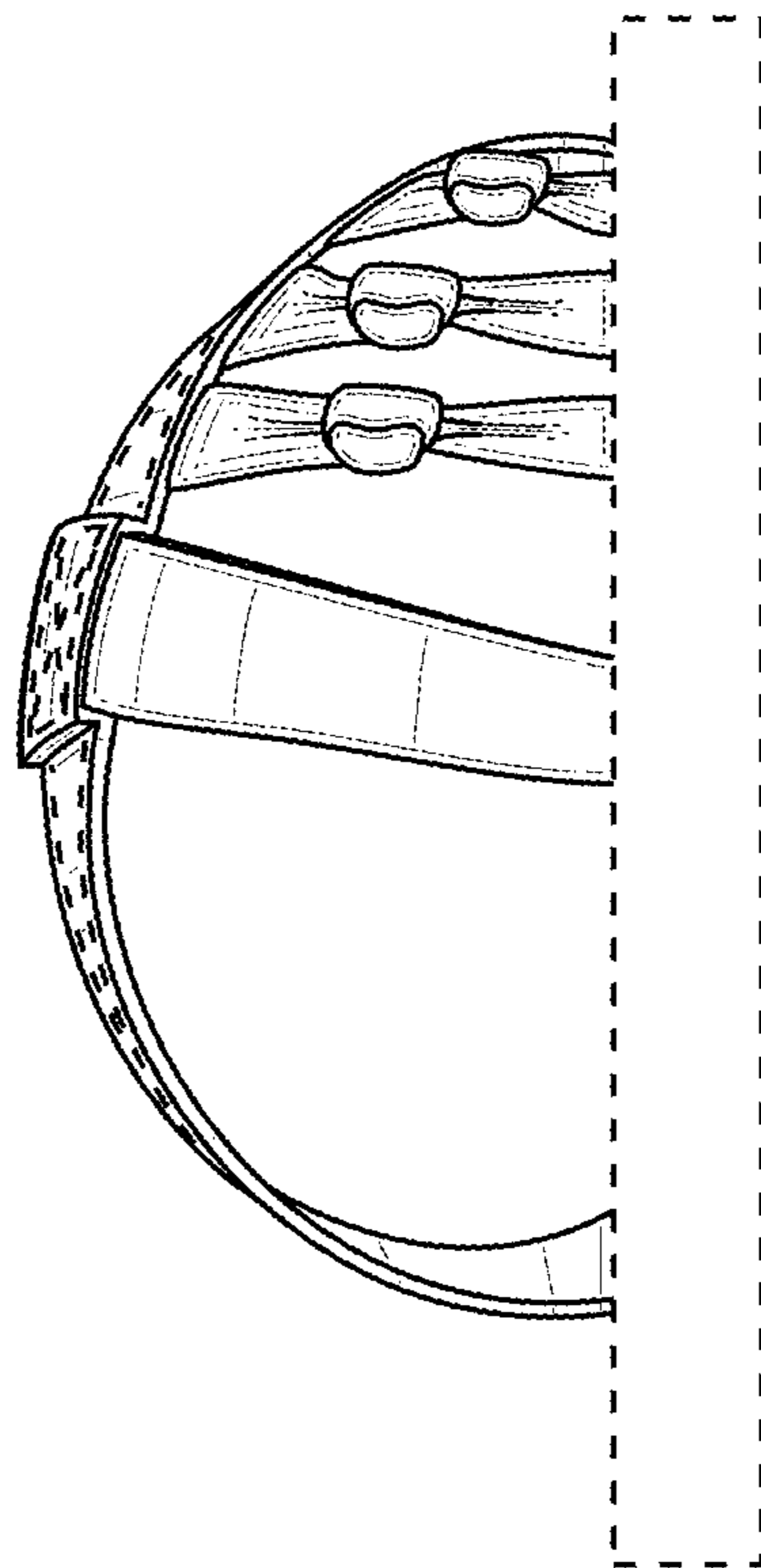


FIG. 2

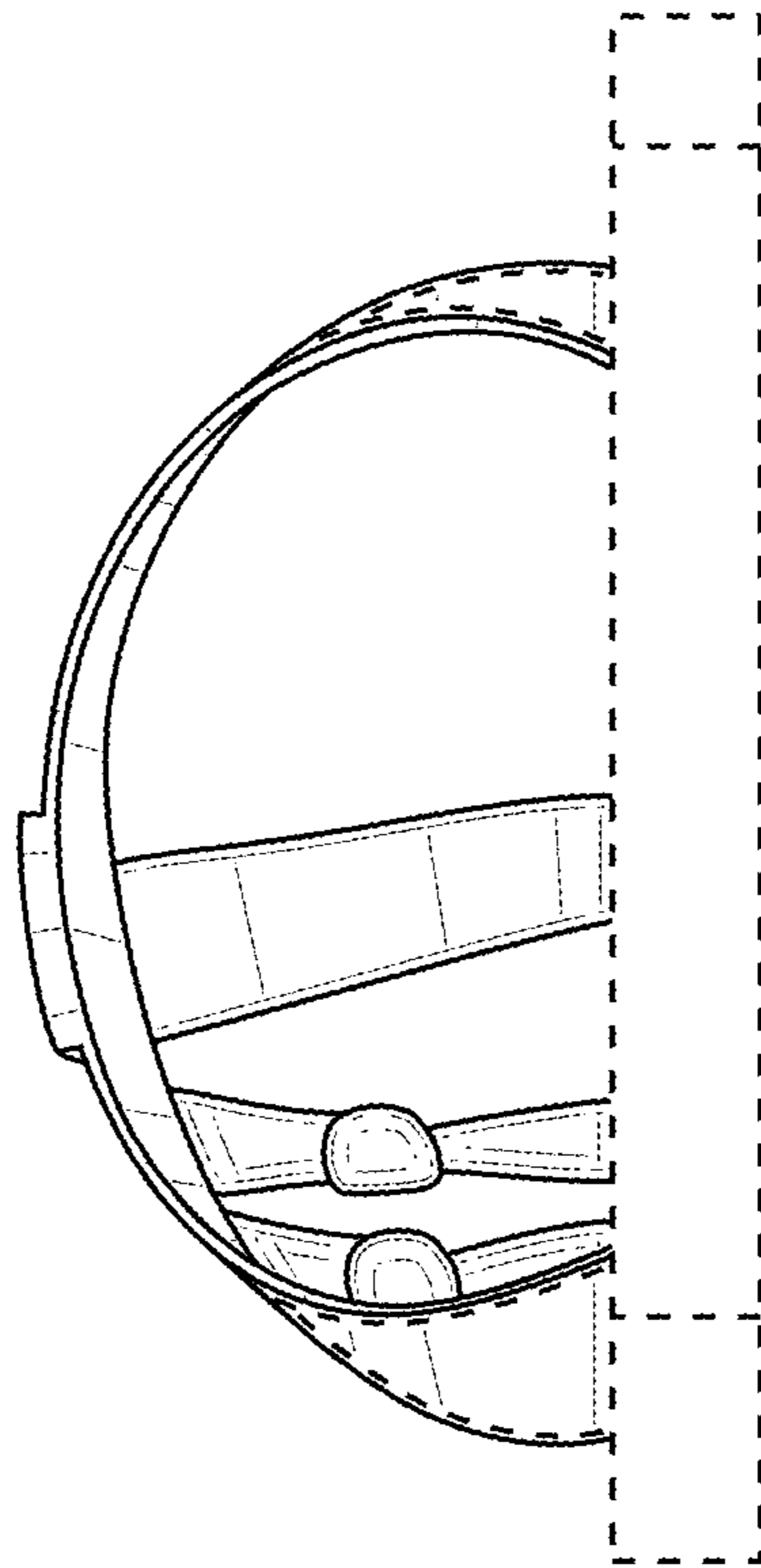


FIG. 3

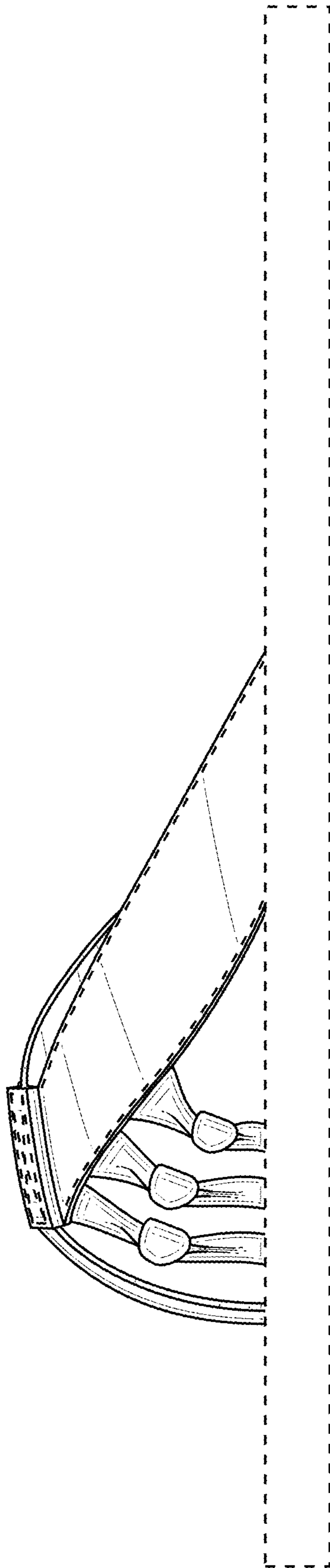


FIG. 4

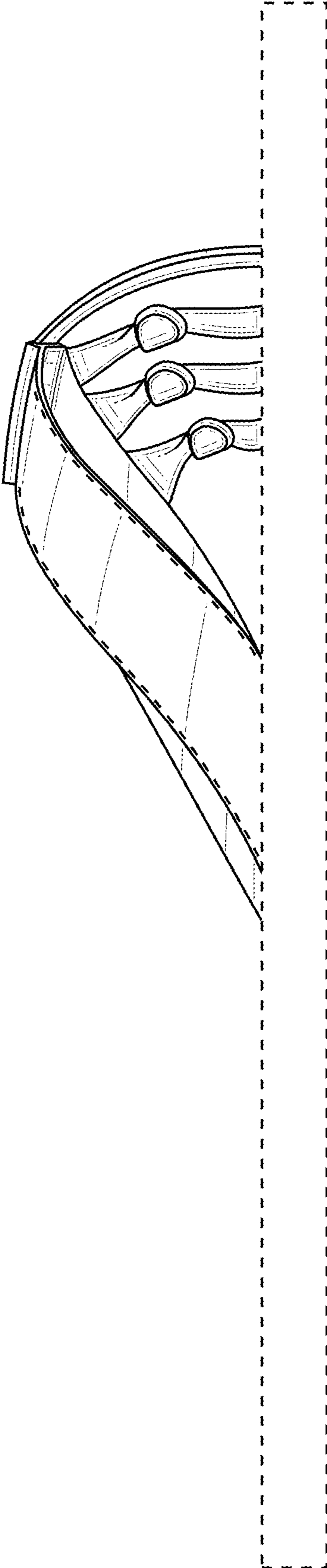


FIG. 5

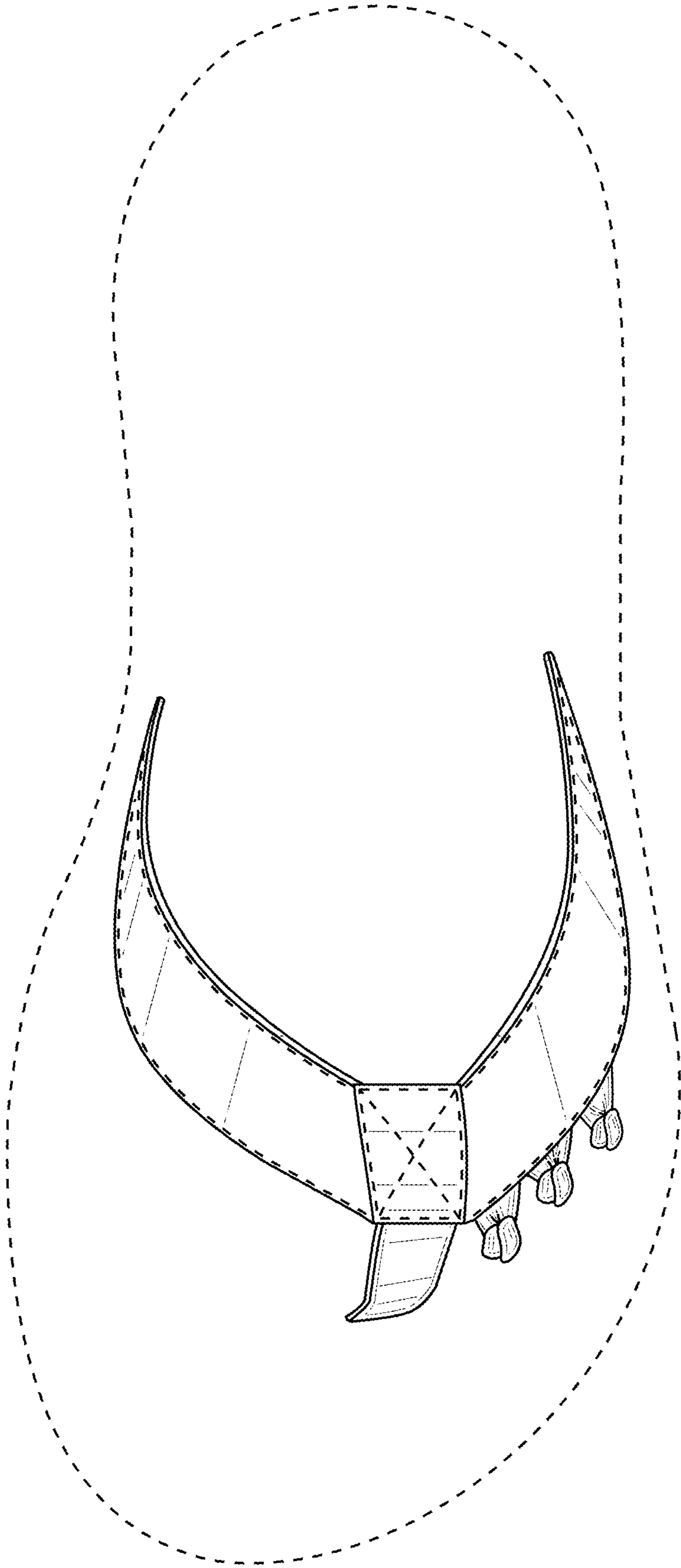


FIG. 6

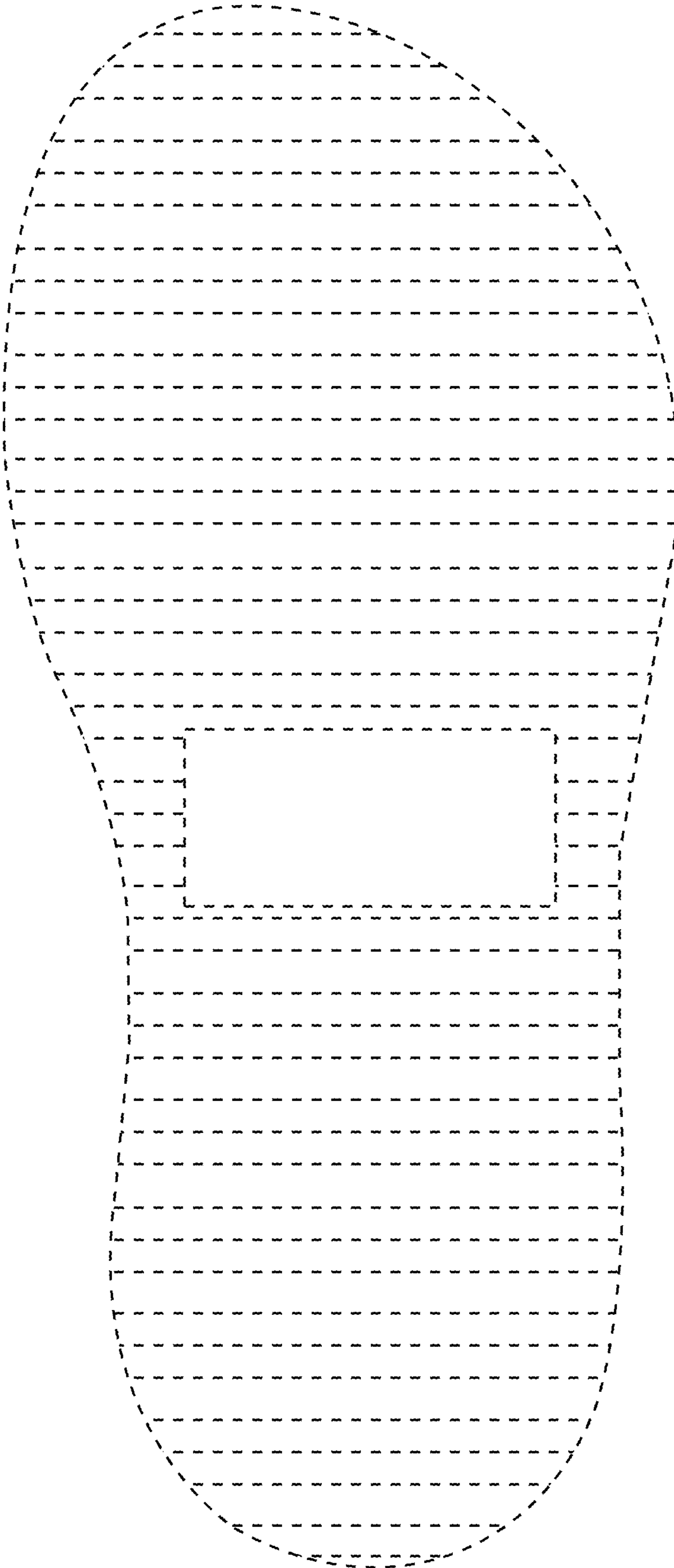


FIG. 7

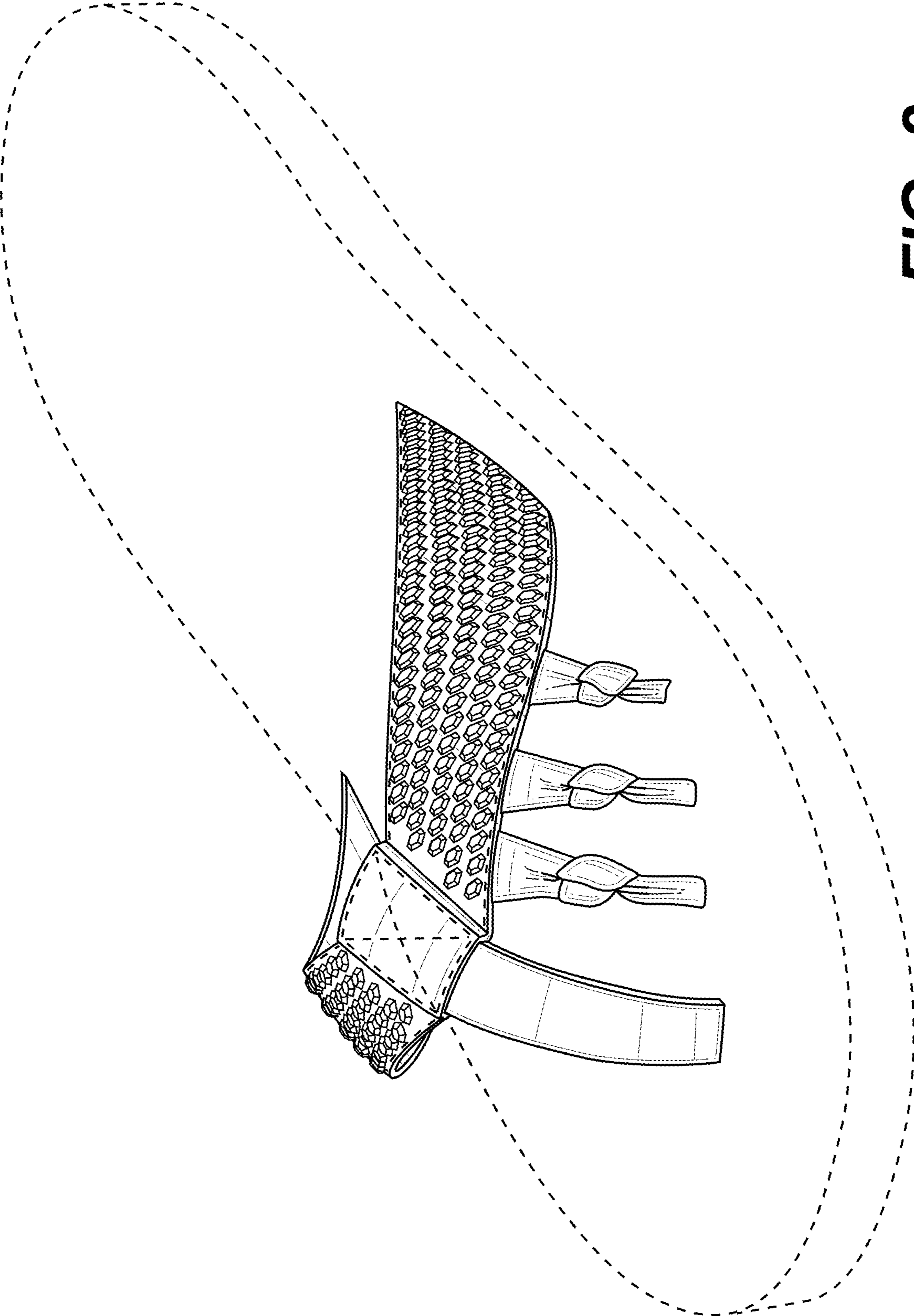


FIG. 8

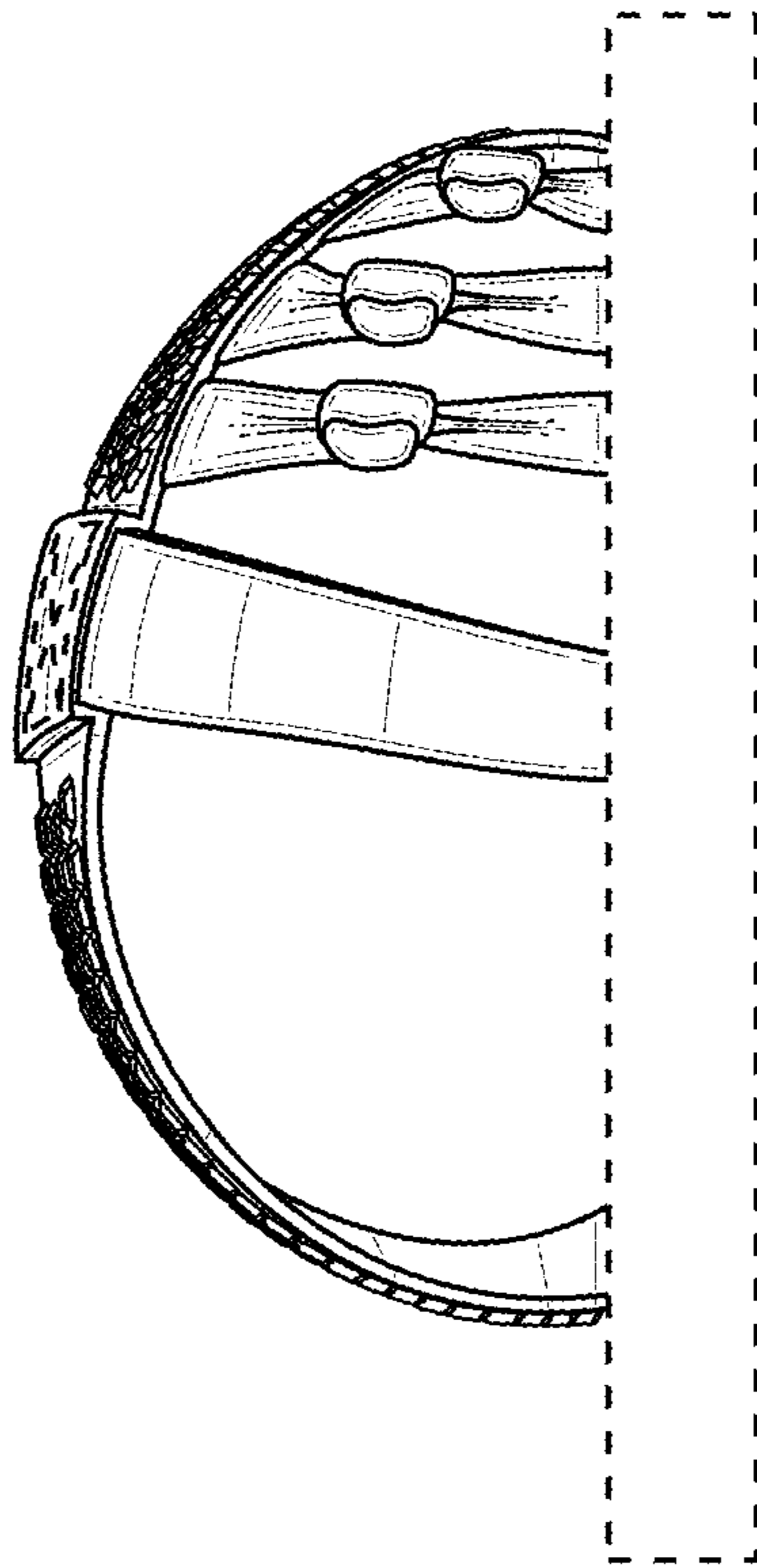


FIG. 9

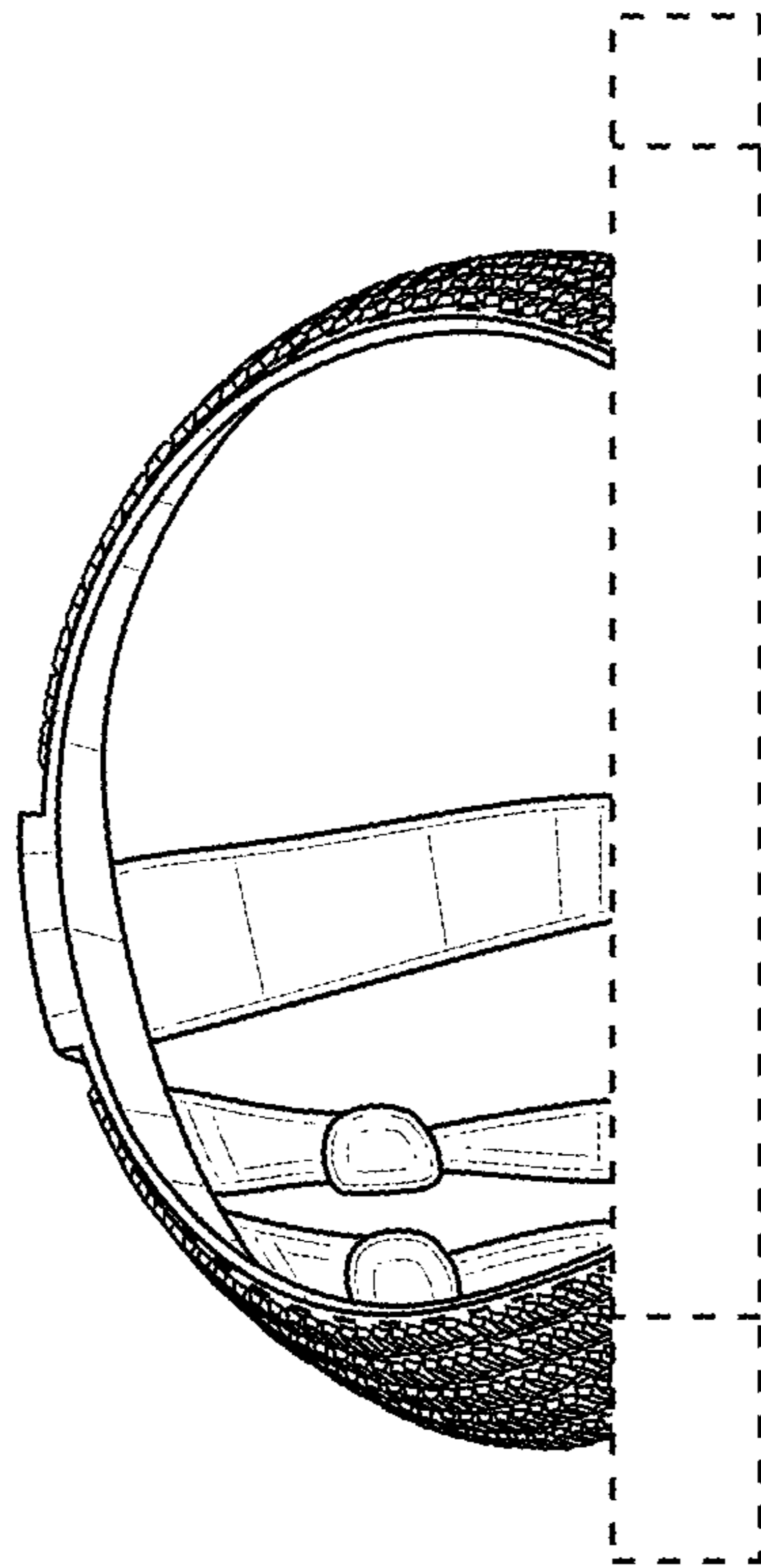


FIG. 10

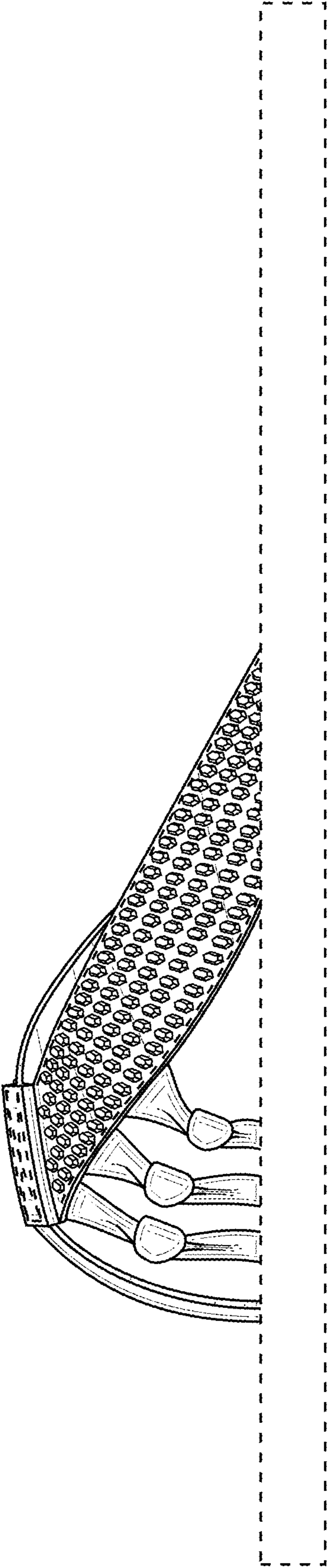


FIG. 11

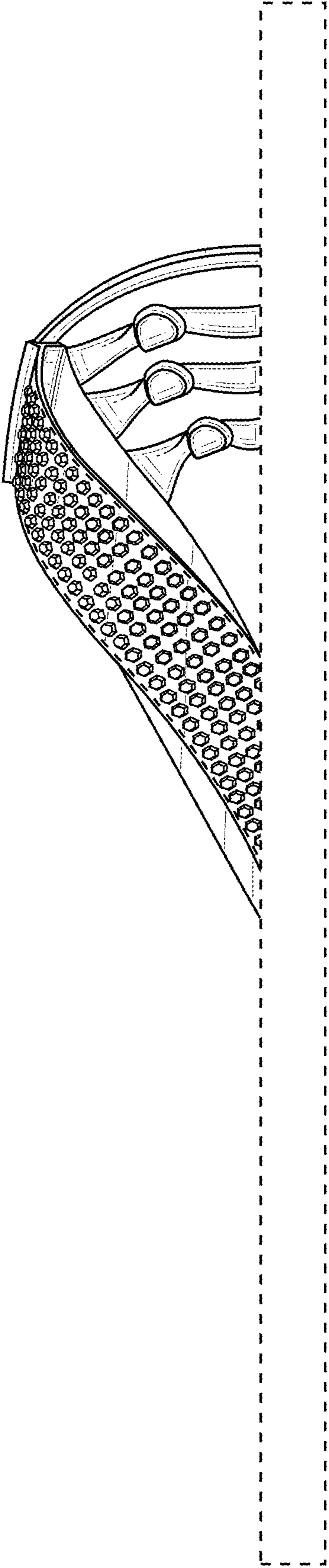


FIG. 12

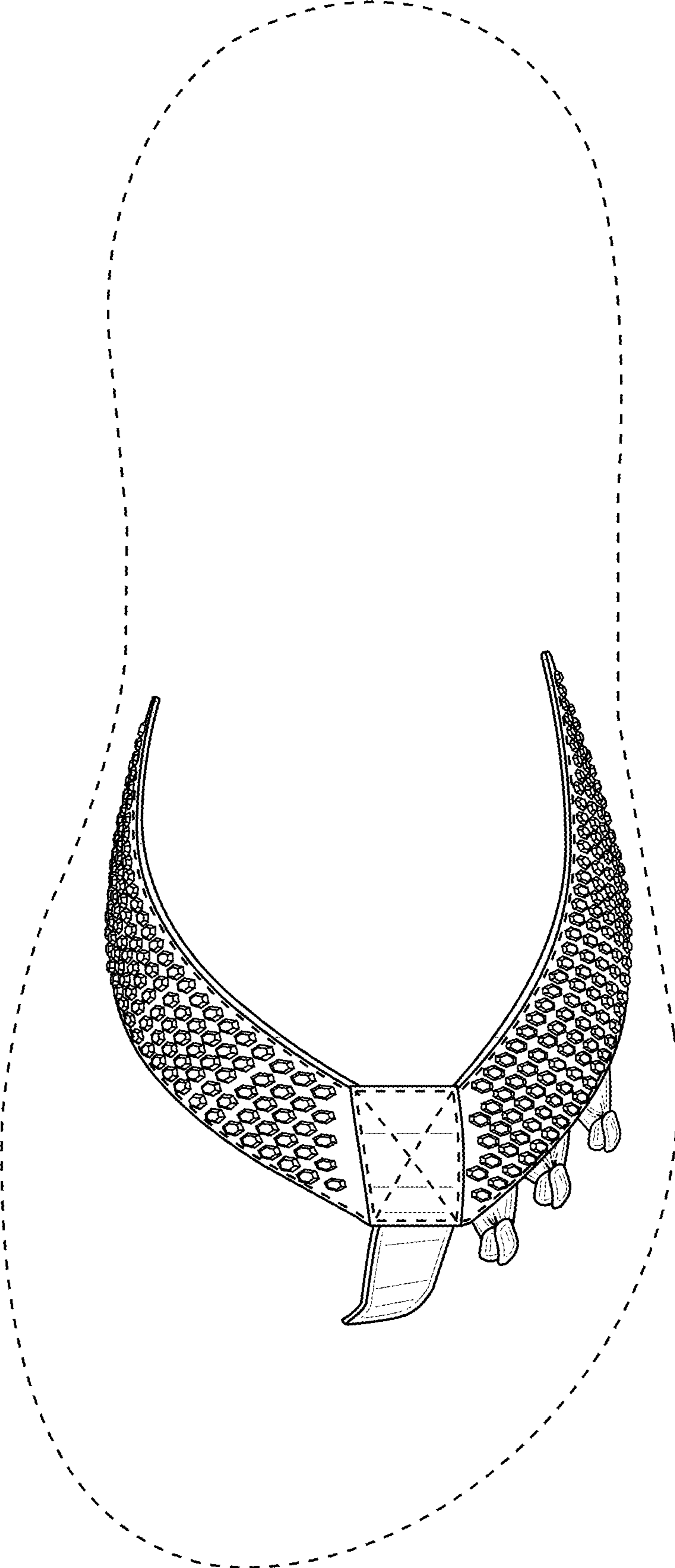


FIG. 13

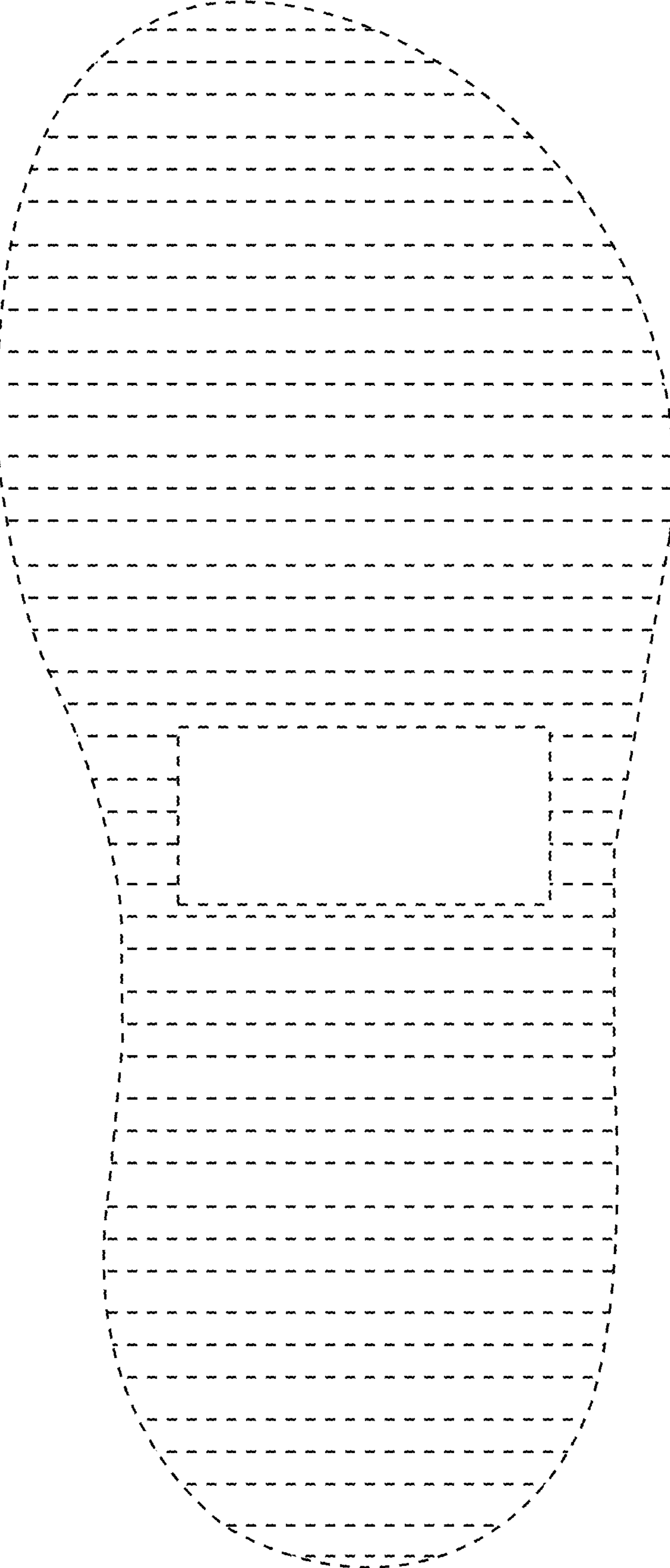


FIG. 14