



US00D875356S

(12) **United States Design Patent**
Feng

(10) **Patent No.:** **US D875,356 S**

(45) **Date of Patent:** **** Feb. 18, 2020**

(54) **SHOE COVER**

(71) Applicant: **Guangzhou Longchuan Electronic Technology Co., Ltd.**, Guangzhou, Guangdong (CN)

(72) Inventor: **Weibing Feng**, Guangdong (CN)

(**) Term: **15 Years**

(21) Appl. No.: **29/705,270**

(22) Filed: **Sep. 11, 2019**

(51) **LOC (12) Cl.** **02-04**

(52) **U.S. Cl.**
USPC **D2/909**; D2/951

(58) **Field of Classification Search**
USPC D2/896, 900, 902, 907, 909-912, 913, D2/914, 919, 946-951, 969, 980
CPC A43B 1/10; A43B 5/18; A43B 1/00; A43B 5/00
See application file for complete search history.

(56) **References Cited**

U.S. PATENT DOCUMENTS

- 4,598,485 A * 7/1986 Joe A43B 3/163 36/7.2
- D450,426 S * 11/2001 Huard D2/900
- D450,913 S * 11/2001 Banik D2/902

- D455,894 S * 4/2002 Overfield D2/900
- D456,122 S * 4/2002 Hall D2/909
- D512,816 S * 12/2005 Hall D2/909
- D618,889 S * 7/2010 Jones D2/909
- D686,806 S 7/2013 Belcher
- D733,407 S * 7/2015 Solstad D2/909
- D758,707 S * 6/2016 Malkin D2/909
- D796,164 S * 9/2017 Malkin D2/909

* cited by examiner

Primary Examiner — Rashida C. Walshon

(74) *Attorney, Agent, or Firm* — ZANIP

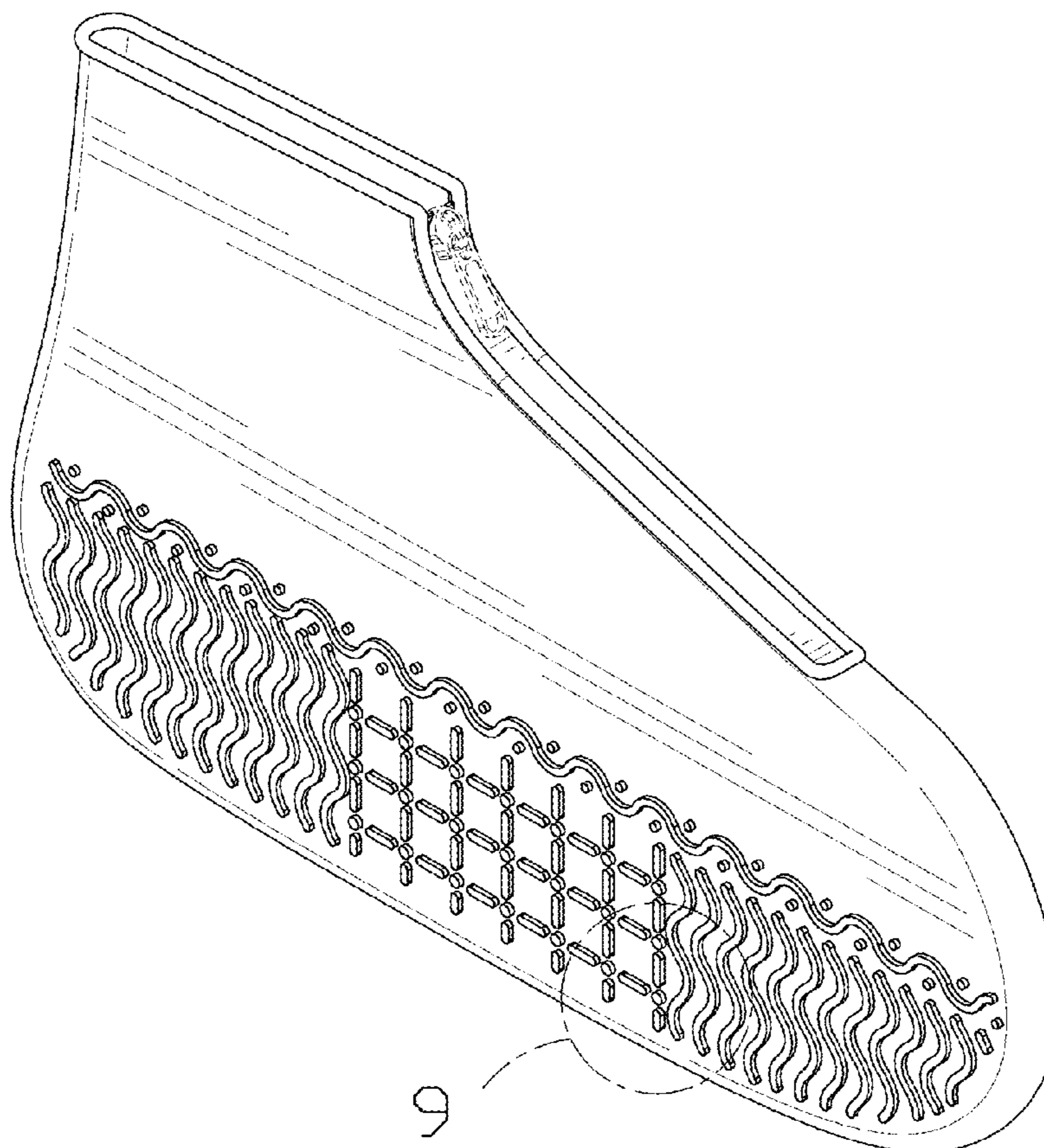
(57) **CLAIM**

The ornamental design for a shoe cover, as shown and described.

DESCRIPTION

FIG. 1 is a front perspective view of a shoe cover, showing my new design;
 FIG. 2 is a rear perspective view thereof;
 FIG. 3 is a front elevational view thereof;
 FIG. 4 is a rear elevational view thereof;
 FIG. 5 is a left side elevational view thereof;
 FIG. 6 is a right side elevational view thereof;
 FIG. 7 is a top plan view thereof;
 FIG. 8 is a bottom plan view thereof; and,
 FIG. 9 is an enlarged view of a portion indicated in FIG. 1.
 The broken lines in the figures illustrate portions of the shoe cover that form no part of the claimed design.

1 Claim, 9 Drawing Sheets



9

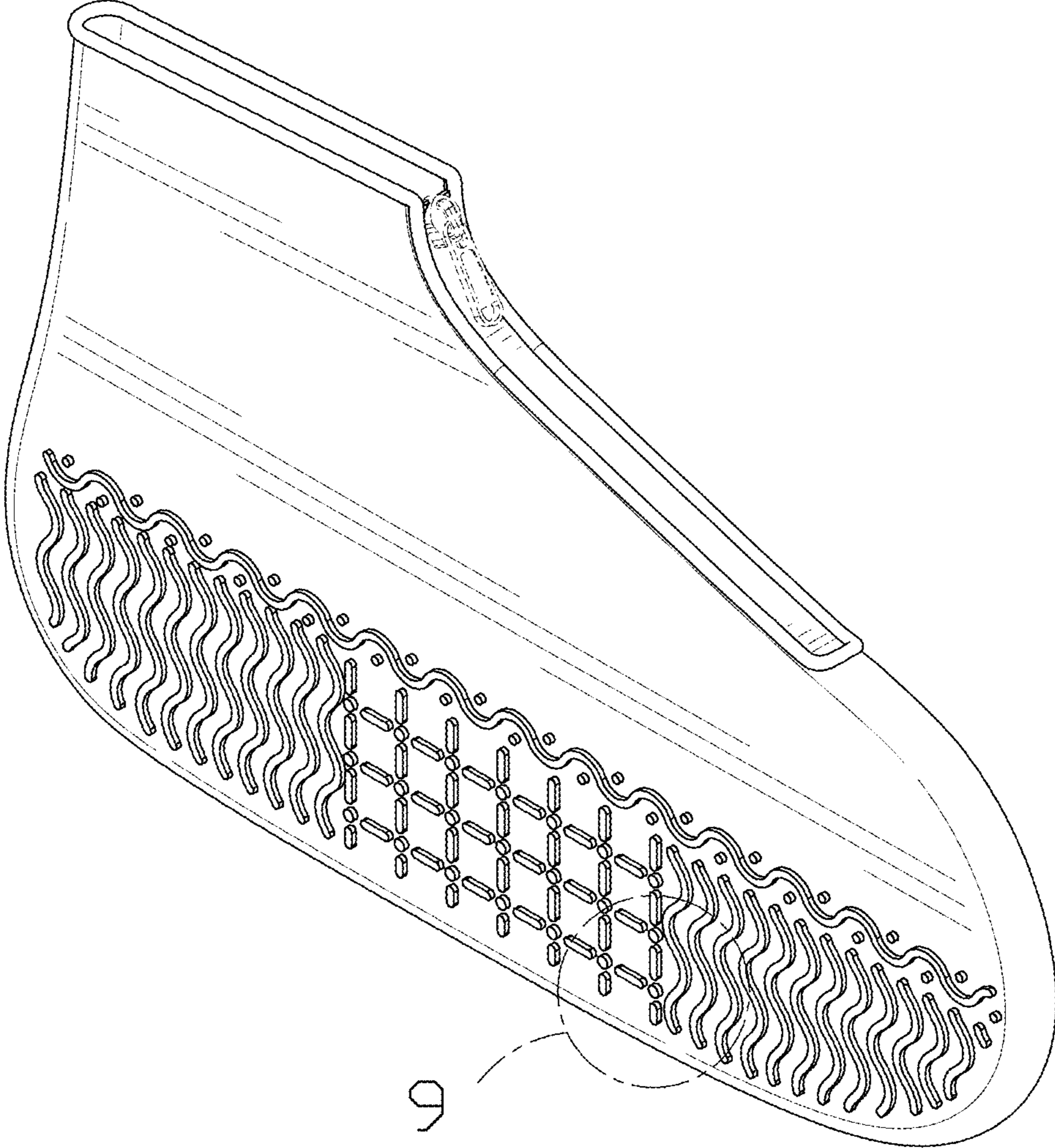


FIG. 1

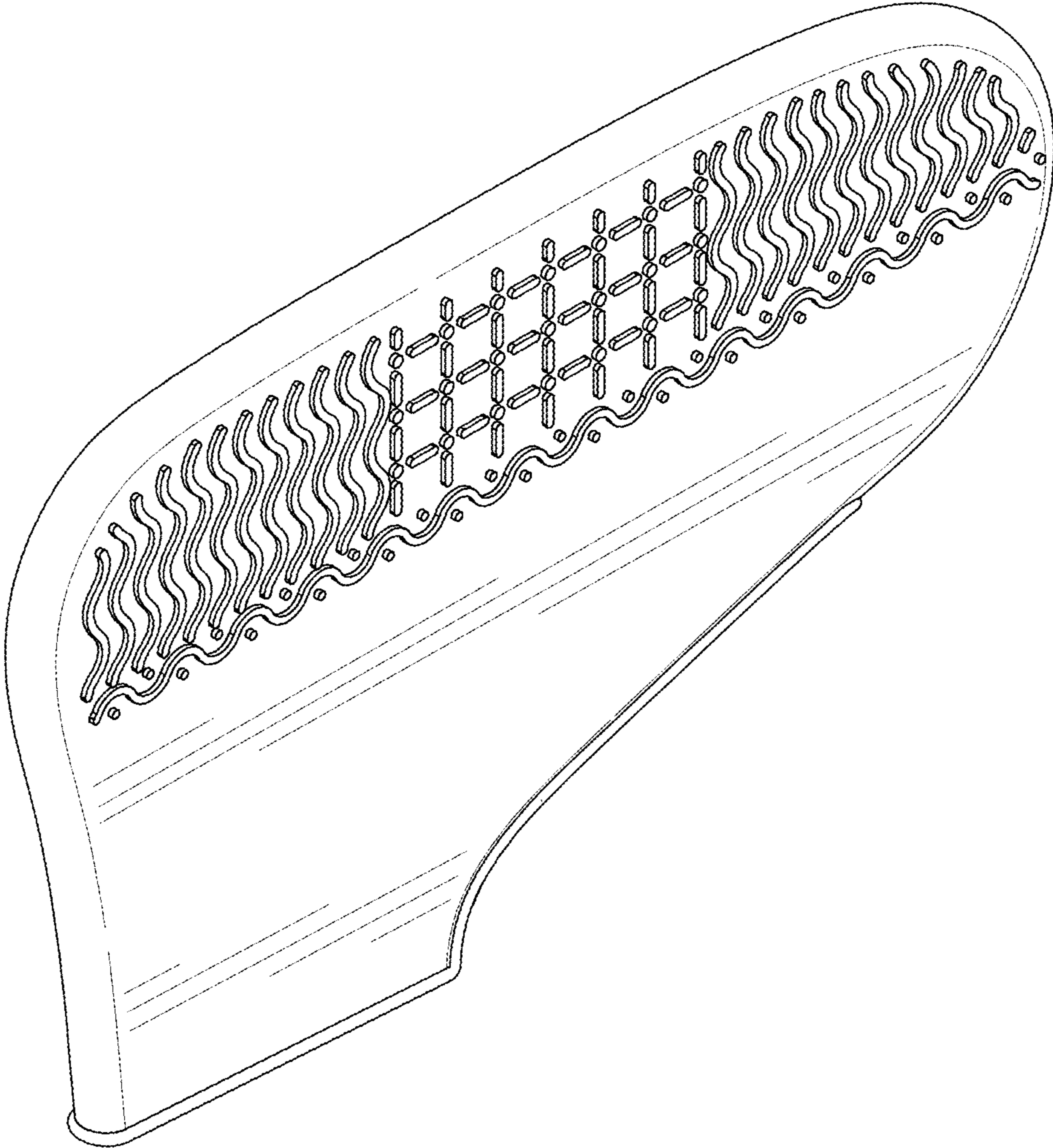


FIG. 2

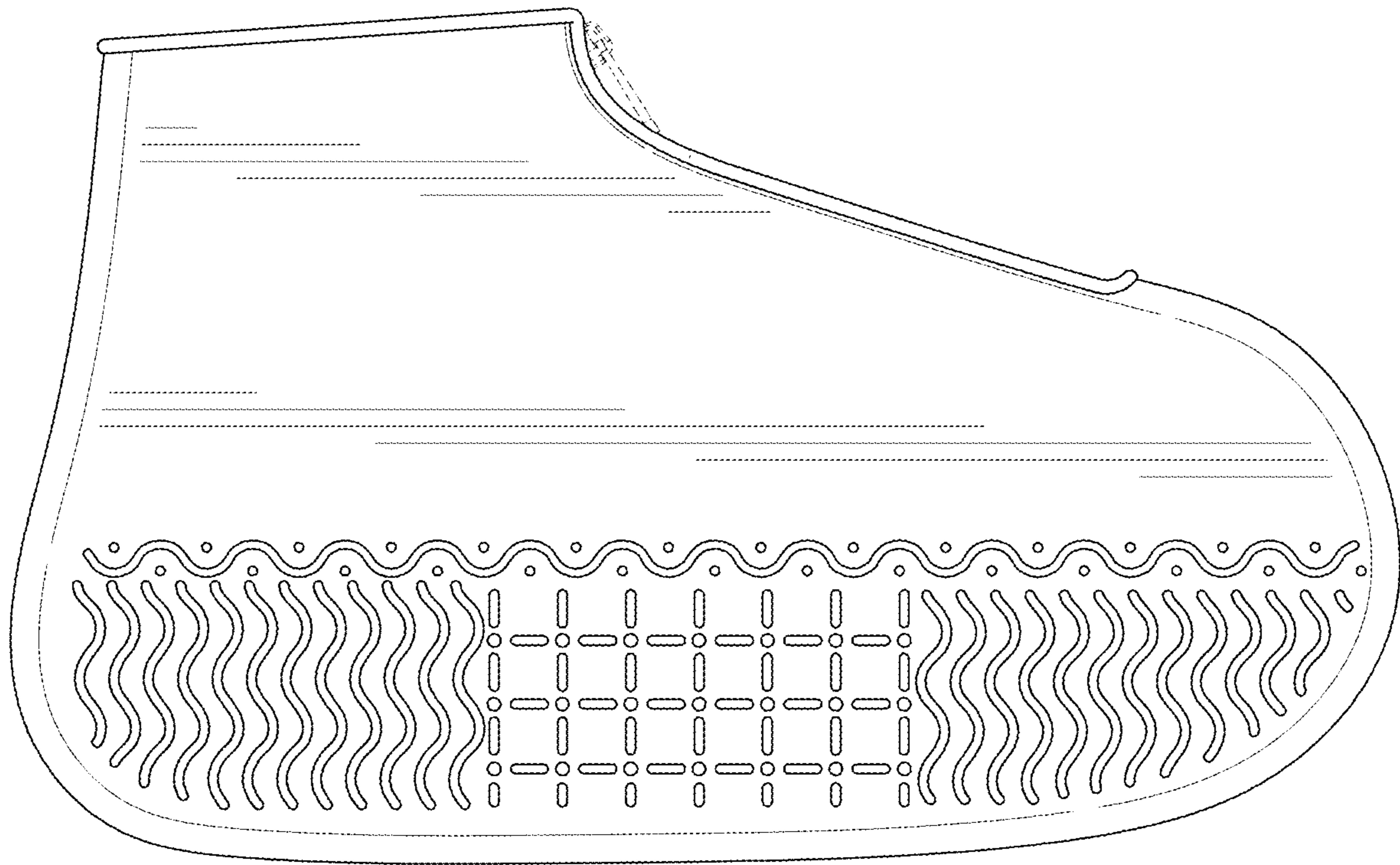


FIG. 3

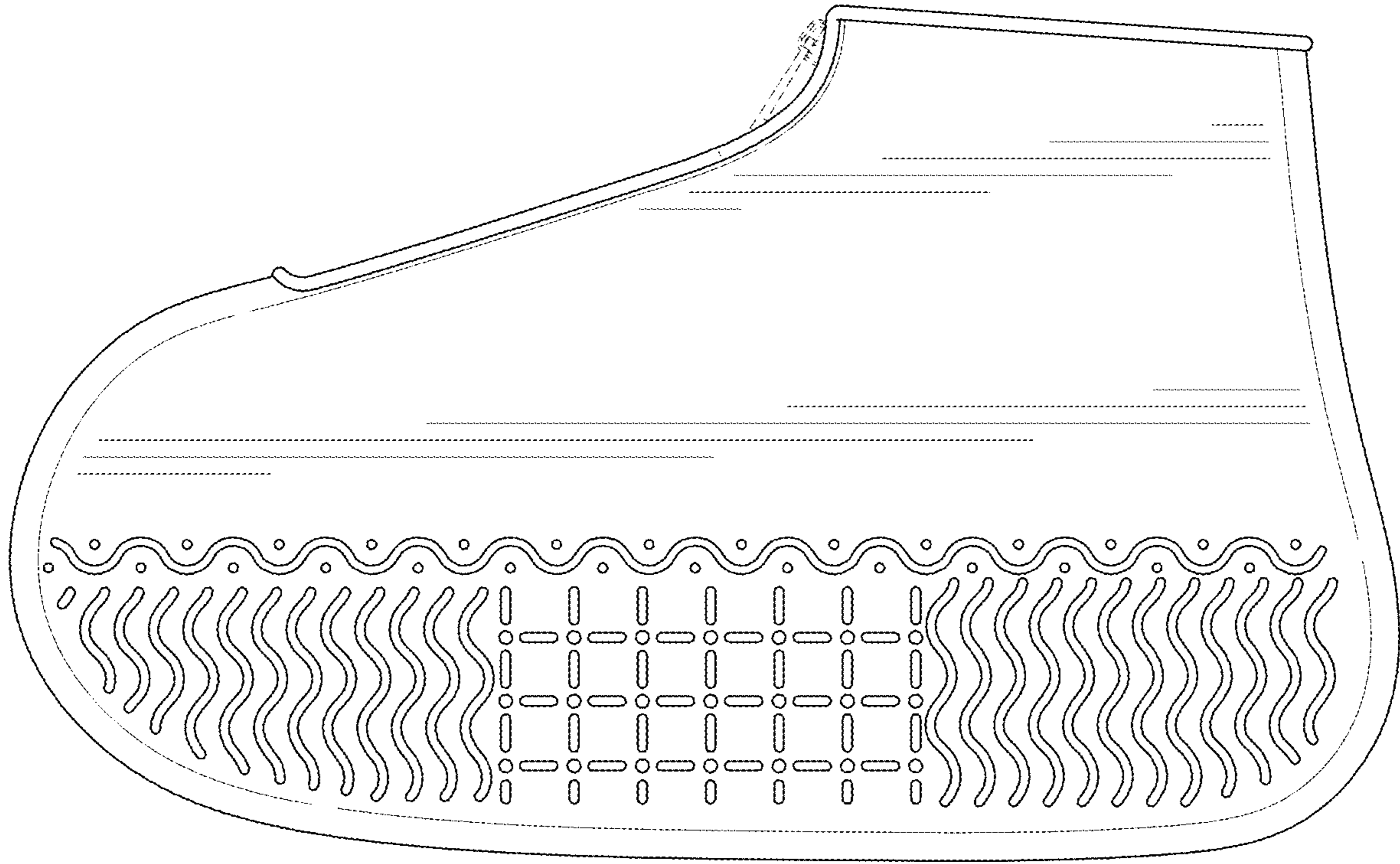


FIG. 4

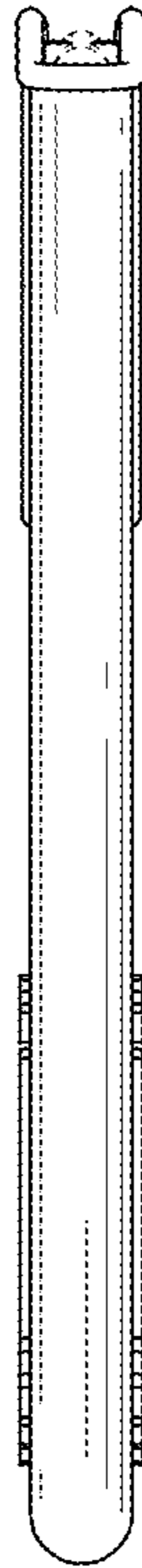


FIG. 5

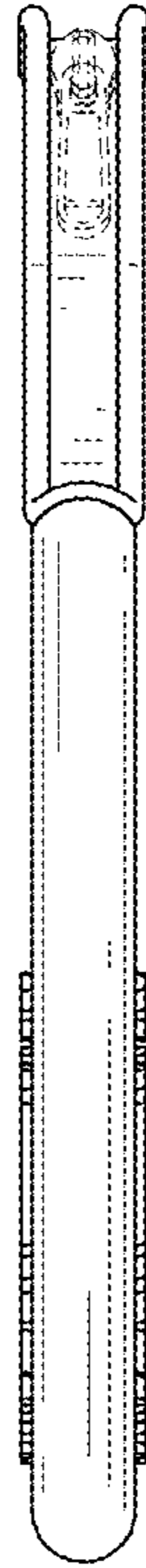


FIG. 6

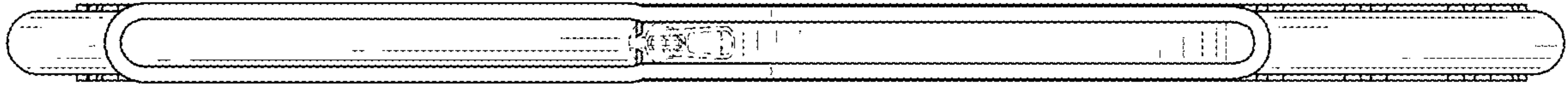


FIG. 7



FIG. 8

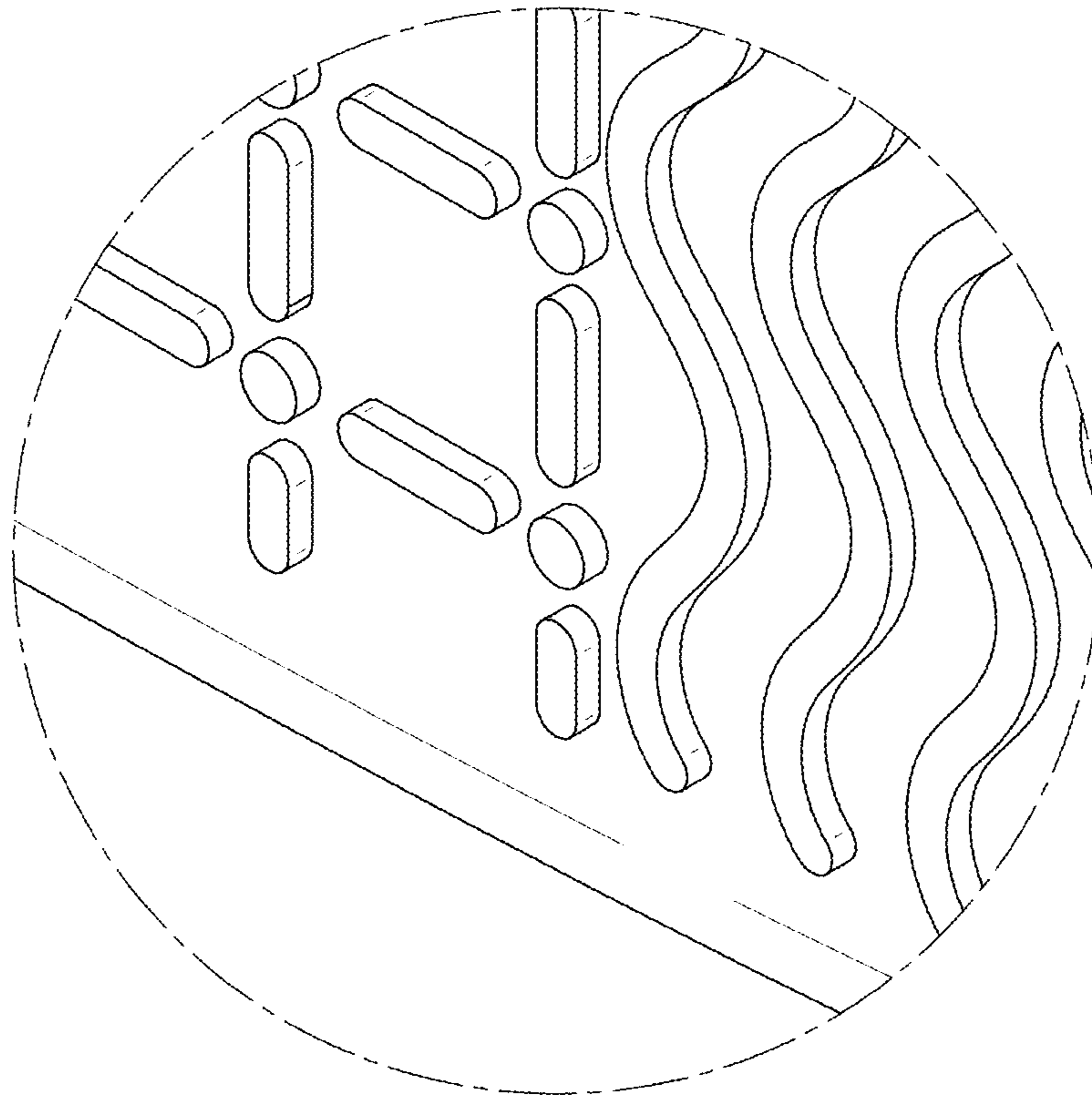


FIG. 9