



US00D875354S

(12) **United States Design Patent** (10) **Patent No.:** **US D875,354 S**  
**Franulic et al.** (45) **Date of Patent:** **\*\* Feb. 18, 2020**

- (54) **KNITTED HIP WRAP**
- (71) Applicants: **Daniela Franulic**, Zagreb (HR);  
**Lyudmila Franulic**, Zagreb (HR)
- (72) Inventors: **Daniela Franulic**, Zagreb (HR);  
**Lyudmila Franulic**, Zagreb (HR)
- (\*\*) Term: **15 Years**
- (21) Appl. No.: **29/660,233**
- (22) Filed: **Aug. 20, 2018**
- (51) **LOC (12) Cl.** ..... **02-02**
- (52) **U.S. Cl.**  
USPC ..... **D2/851**; D2/749
- (58) **Field of Classification Search**  
USPC ..... D2/701, 722, 731-732, 851-853, 999,  
D2/624, 627, 936, 724, 728, 735-736,  
D2/749, 738, 863-864, 857; D6/608  
CPC ..... A41D 1/14; A41B 9/04  
See application file for complete search history.

(56) **References Cited**

U.S. PATENT DOCUMENTS

D432,758 S *	10/2000	Harris	D2/728
D445,999 S *	8/2001	Swiney	D2/851
D474,574 S *	5/2003	Easlick	D2/502
D503,513 S *	4/2005	McCarthy	D2/735
D580,627 S *	11/2008	Richards	D2/706
D626,722 S *	11/2010	Macke	D2/728
D654,247 S *	2/2012	Osbourne	D2/702
D655,480 S *	3/2012	Helbing	D2/851
D660,553 S *	5/2012	Farina	D2/742
D711,624 S *	8/2014	Griffiths	A41F 9/00 D2/624
D712,630 S *	9/2014	Jones	D2/826
D725,347 S *	3/2015	Kirkwood	D2/701
D743,144 S *	11/2015	Swan	D2/738
D755,474 S *	5/2016	Lopez	D2/731
D758,049 S *	6/2016	Molbeck	D2/851
D793,665 S *	8/2017	Perez	D2/742
D808,130 S *	1/2018	Lomax	D2/851
2011/0076921 A1 *	3/2011	Unger	A41C 1/08 450/148

- 2016/0353811 A1\* 12/2016 Wallace ..... A41D 1/084
- 2017/0231300 A1\* 8/2017 Leslie ..... A41D 15/04  
602/4
- 2018/0132546 A1\* 5/2018 Righetto ..... A41D 1/08  
(Continued)

OTHER PUBLICATIONS

TheMorgan;https://www.amazon.com/TheMogan-Stretch-Cotton-Jersey-Layered/dp/B013PUQKXM/ref=pd\_sbs\_193\_7?encoding=UTF8&pd\_rd\_i=B013PUQKXM&pd\_rd\_r=31a8392d-3d24-42ef-ad5e-2dcec5f1d78f&pd\_rd\_w=fqpuB&pd\_rd\_wg=htiK8&pf\_rd\_p=d66372fe-68a6-48a3-90ec-41d7f64212be&pf\_rd\_r=PM30P62D4PYVDC4Q6SE9&refRID=PM30P62 (Year: 2015).\*

(Continued)

*Primary Examiner* — Amy C Wierenga  
(74) *Attorney, Agent, or Firm* — Lucas & Mercanti, LLP

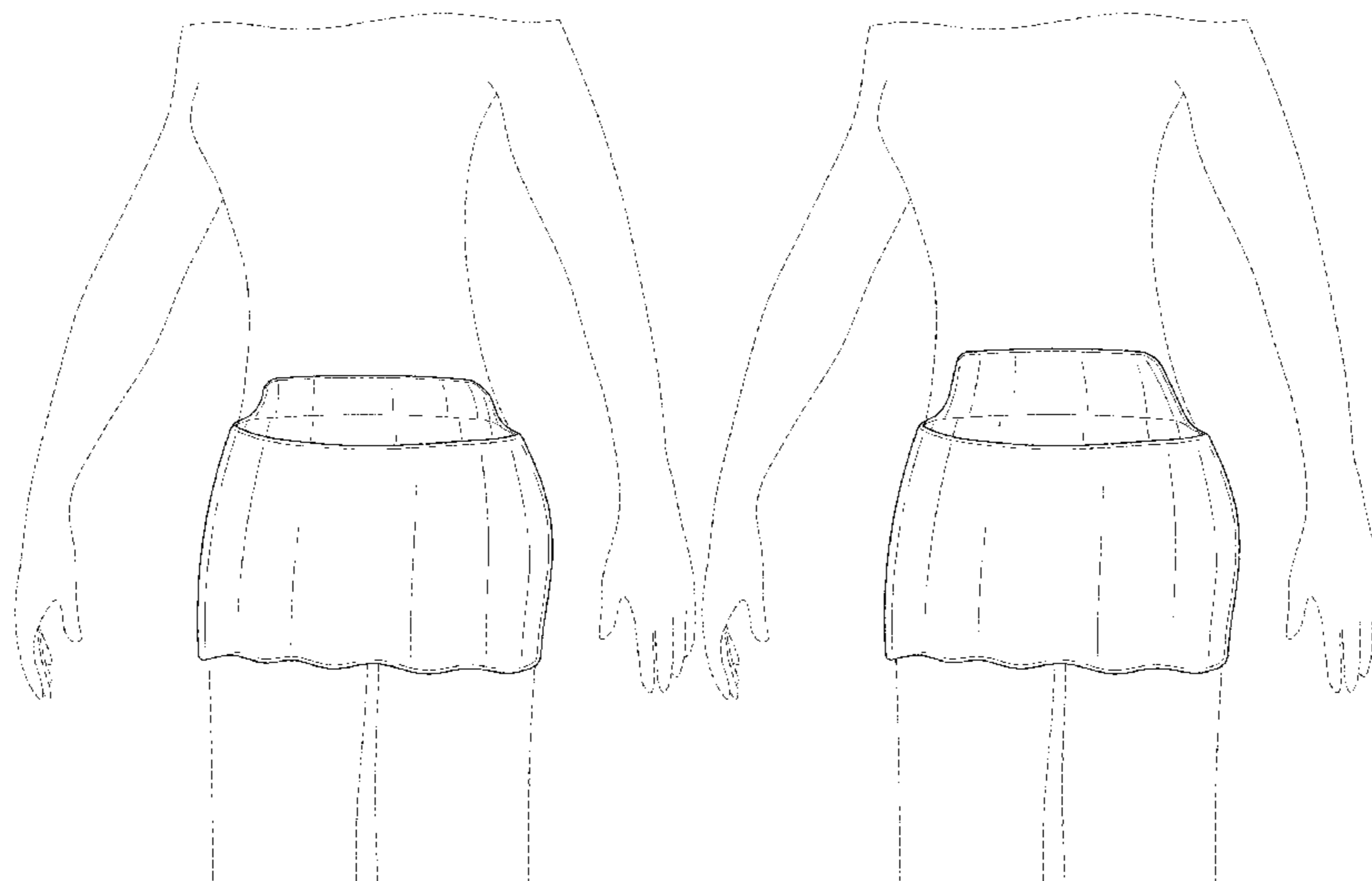
(57) **CLAIM**

The ornamental design for a knitted hip wrap, as shown and described.

**DESCRIPTION**

FIG. 1 is a front perspective view of a first embodiment of the knitted hip wrap;  
FIG. 2 is a front view thereof;  
FIG. 3 is a rear view thereof;  
FIG. 4 is a left side view thereof;  
FIG. 5 is a right side view thereof;  
FIG. 6 is a front perspective view of a second embodiment of the knitted hip wrap;  
FIG. 7 is a front view thereof;  
FIG. 8 is a rear view thereof;  
FIG. 9 is a left side view thereof; and,  
FIG. 10 is a right side view thereof.  
The broken lines in the drawings depict environment that form no part of the claim. The broken lines shown on the side of the knitted hip wrap in FIGS. 4 and 9 depict stitching that forms no part of the claim.

**1 Claim, 10 Drawing Sheets**



(56)

**References Cited**

U.S. PATENT DOCUMENTS

2018/0279699 A1 \* 10/2018 Olmos Plaza ..... A41D 15/002

OTHER PUBLICATIONS

Sheln Ribbed-Knit Stretchy Mini Pencil Bodycon Skirt; Amazon  
Date First Available Mar. 8, 2019; [https://www.amazon.com/Sheln-Womens-Ribbed-Knit-Stretchy-Bodycon/dp/B07PLBWCHX/ref=sr\\_1\\_93?crd=12W954204NDPC&keywords=mini+skirts+for+women&qid=1568384663&prefix=mini+ski%2Caps%2C146&sr=8-93](https://www.amazon.com/Sheln-Womens-Ribbed-Knit-Stretchy-Bodycon/dp/B07PLBWCHX/ref=sr_1_93?crd=12W954204NDPC&keywords=mini+skirts+for+women&qid=1568384663&prefix=mini+ski%2Caps%2C146&sr=8-93) (Year: 2019).\*

\* cited by examiner

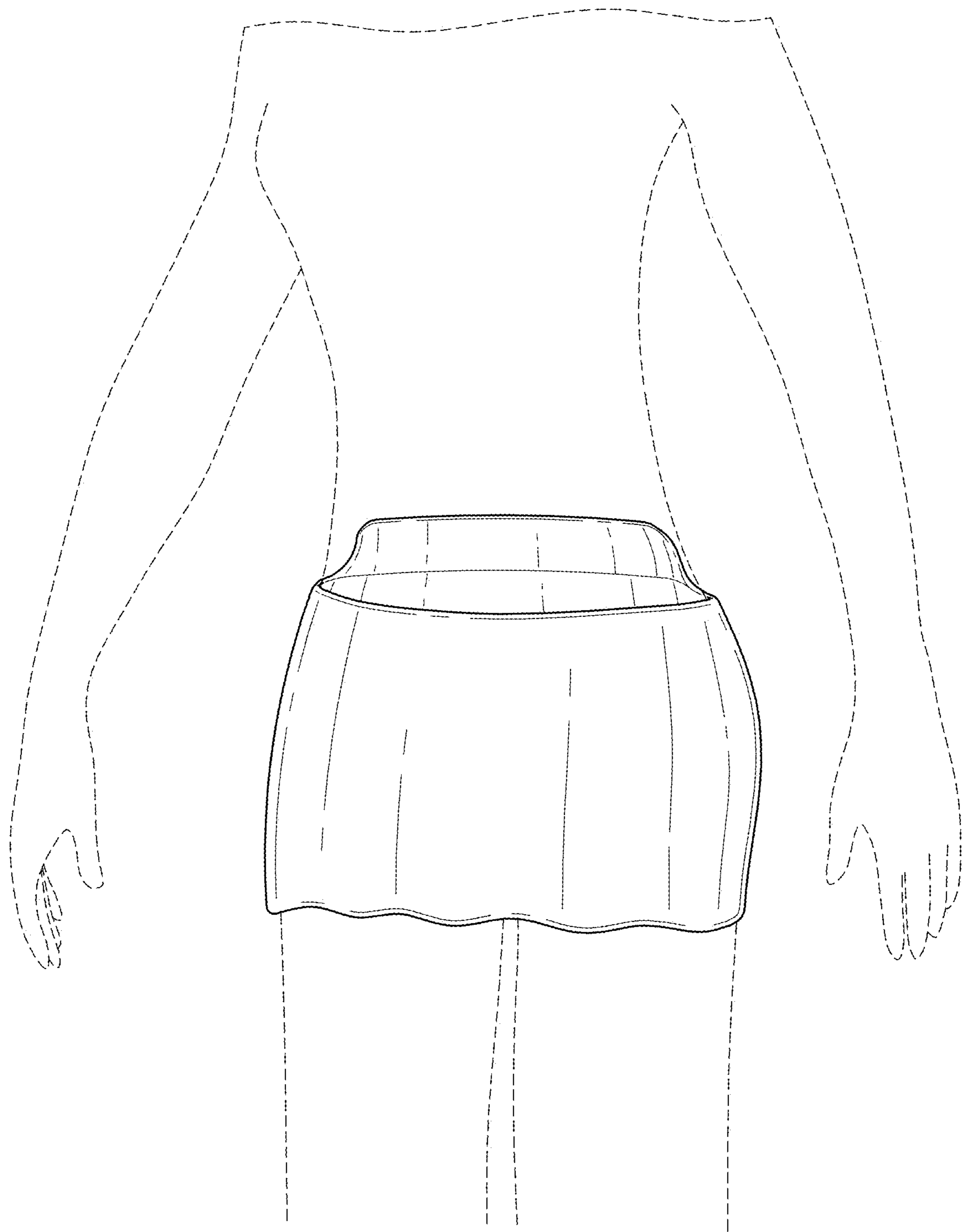


FIG. 1

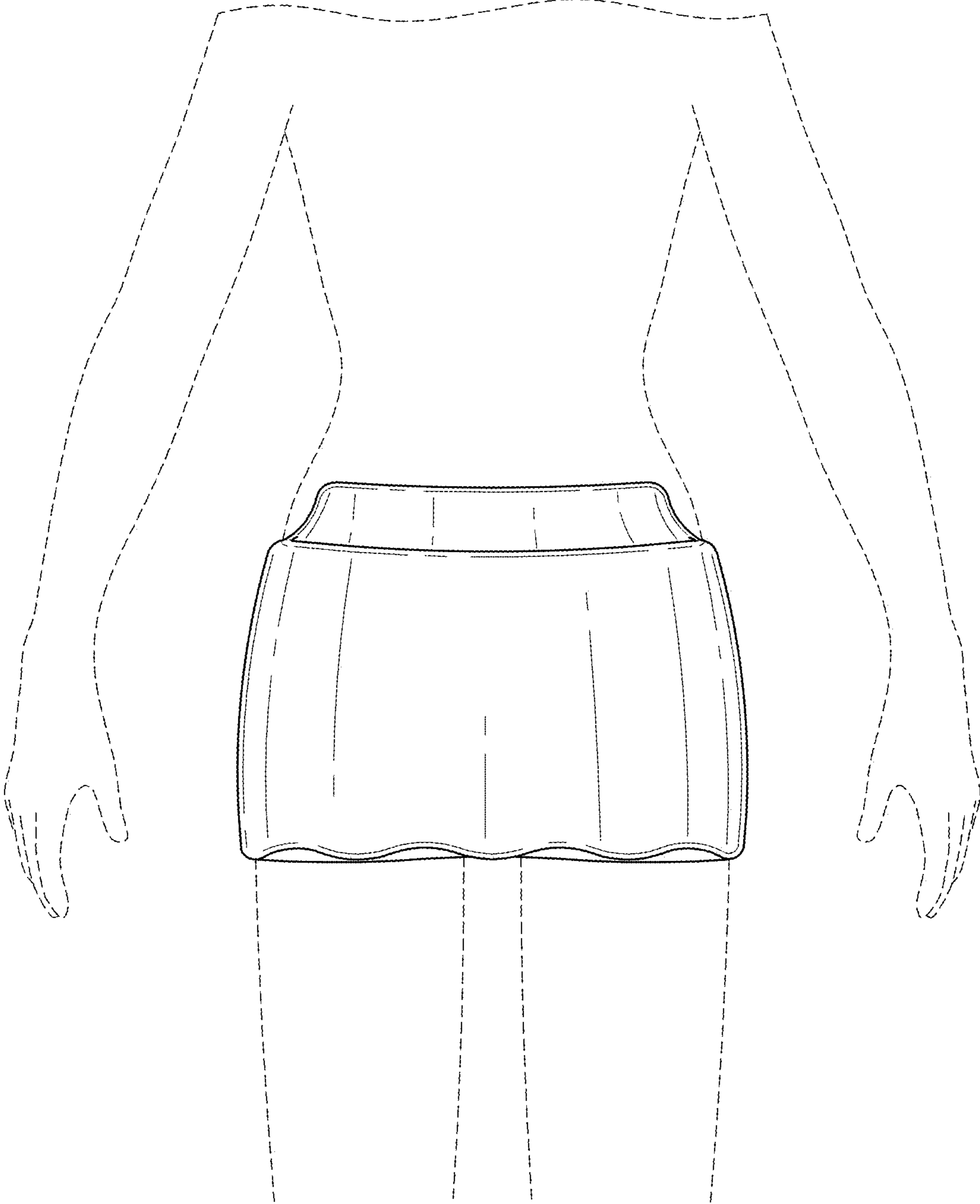


FIG. 2

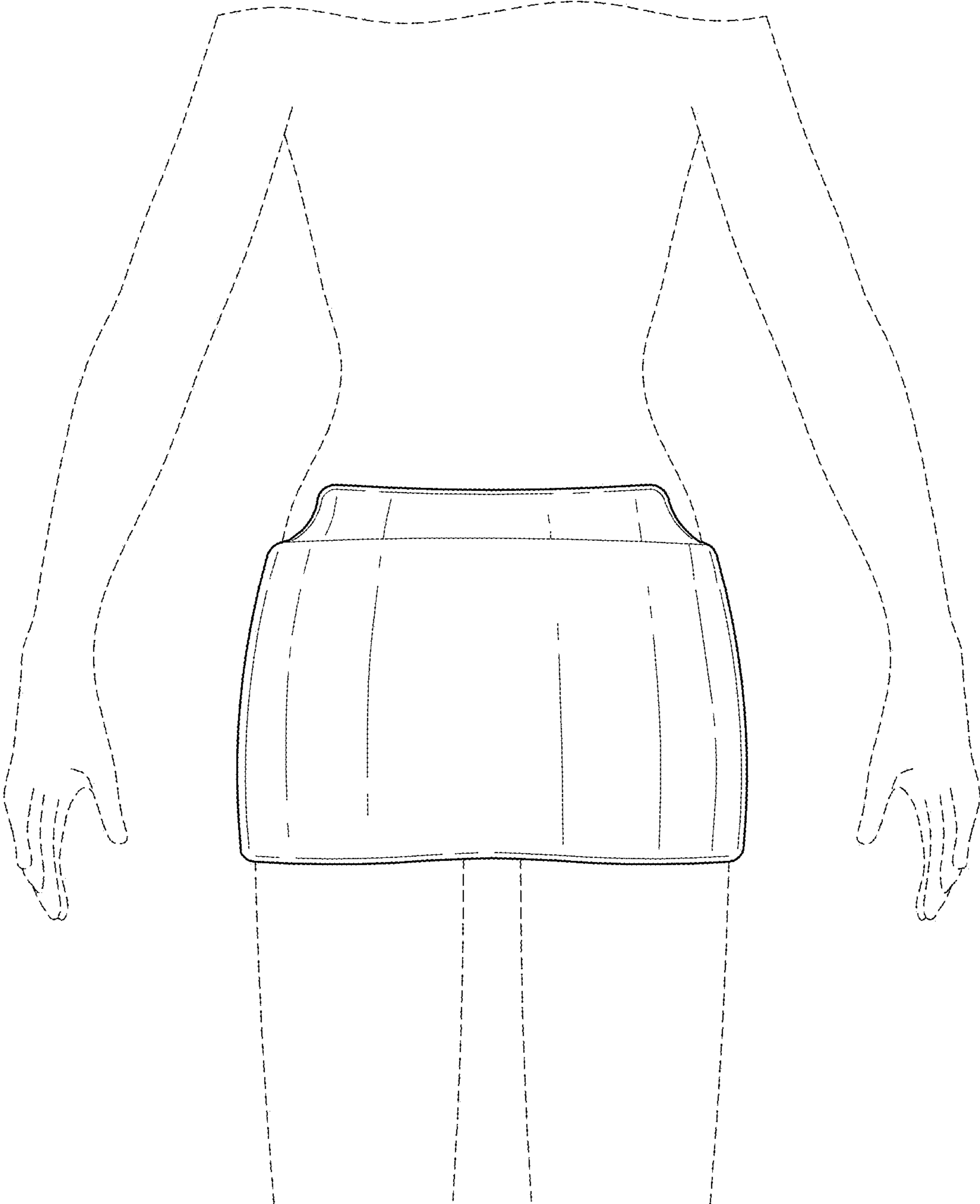


FIG. 3

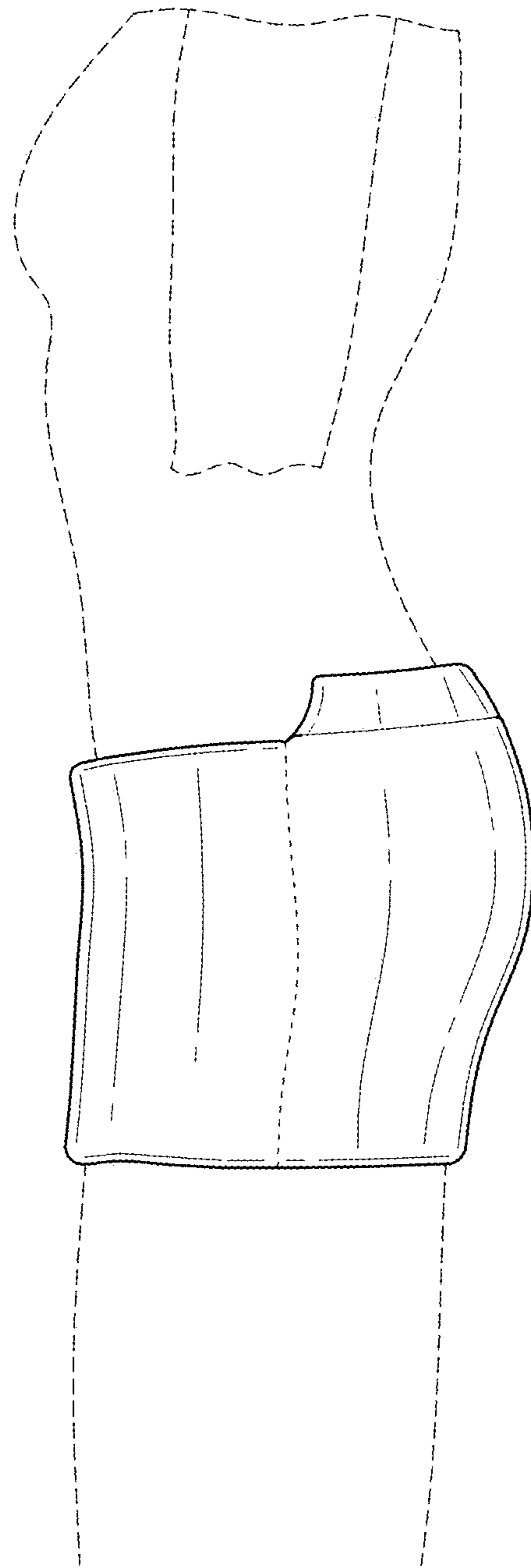


FIG. 4

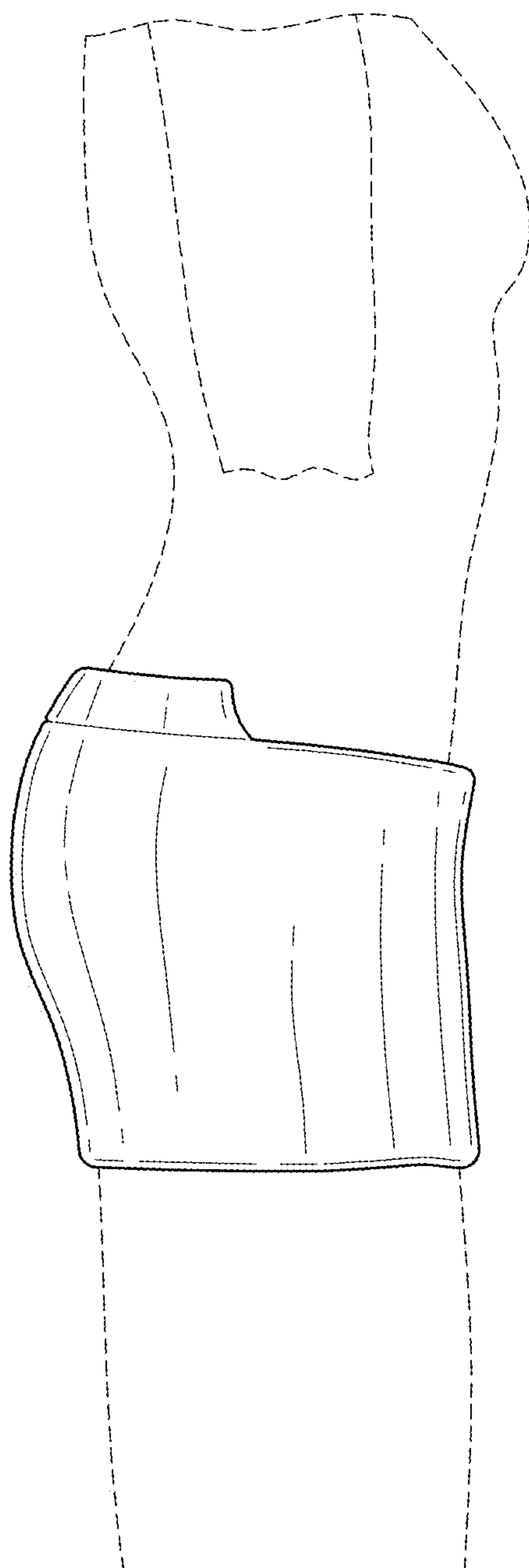


FIG. 5

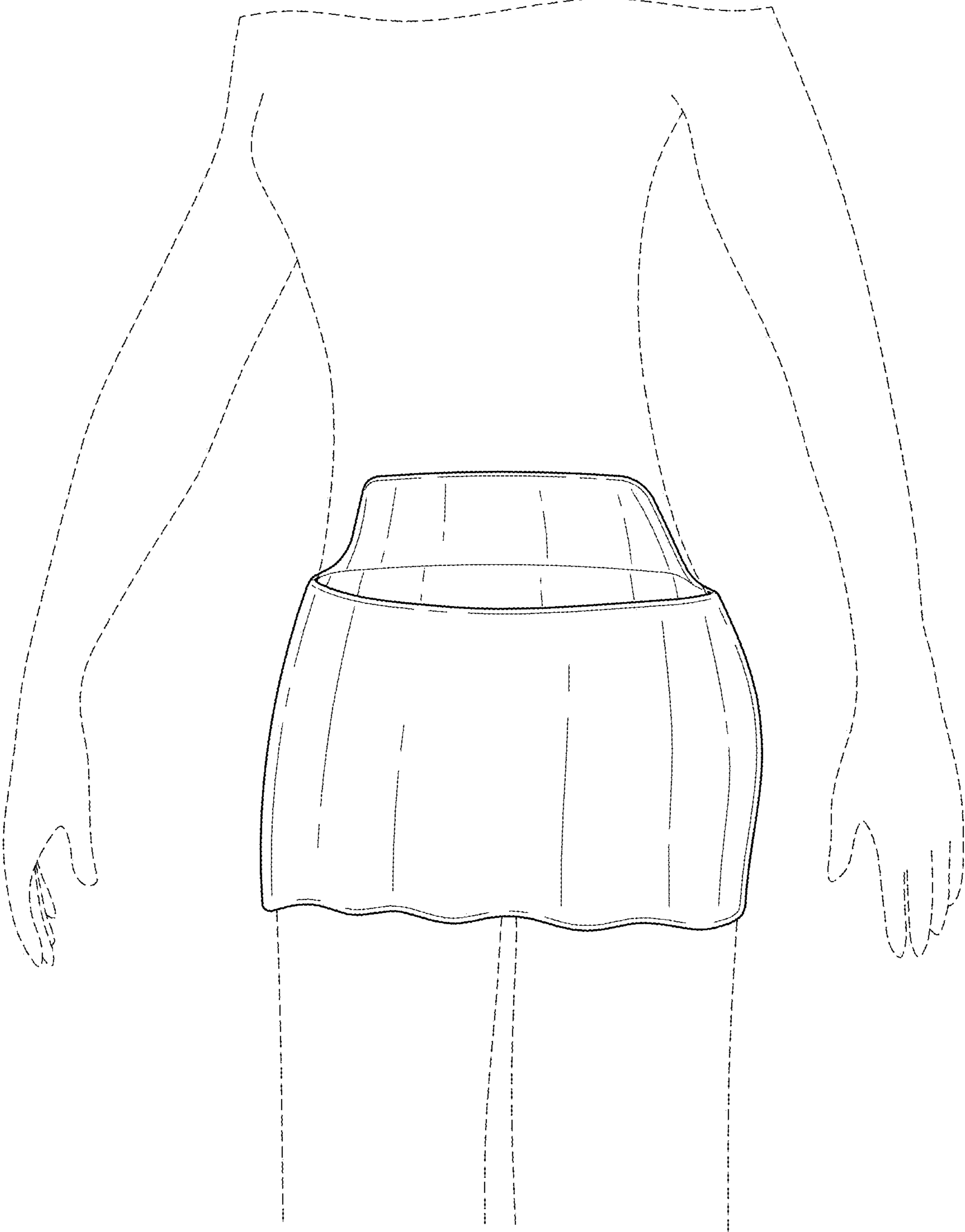


FIG. 6



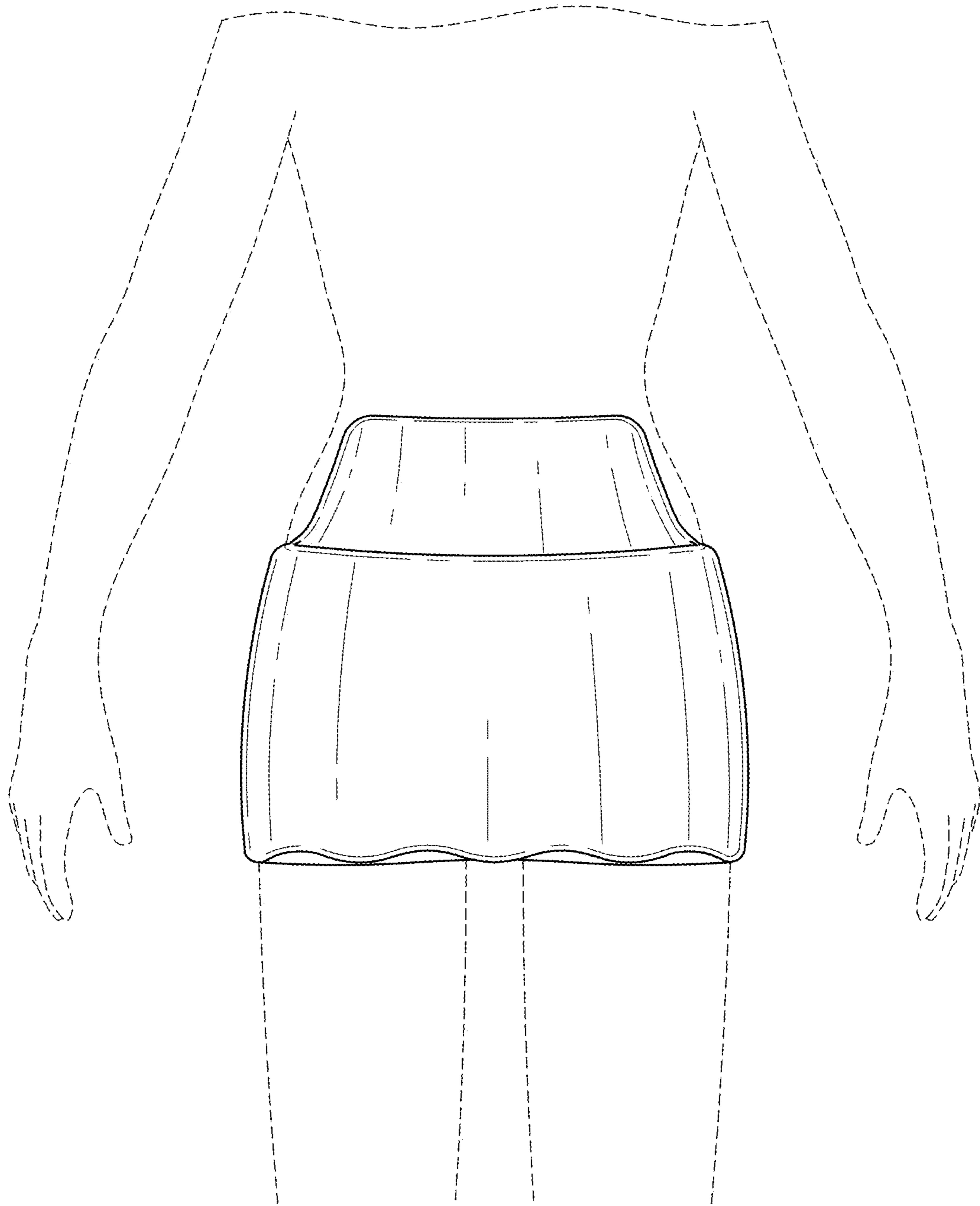


FIG. 7

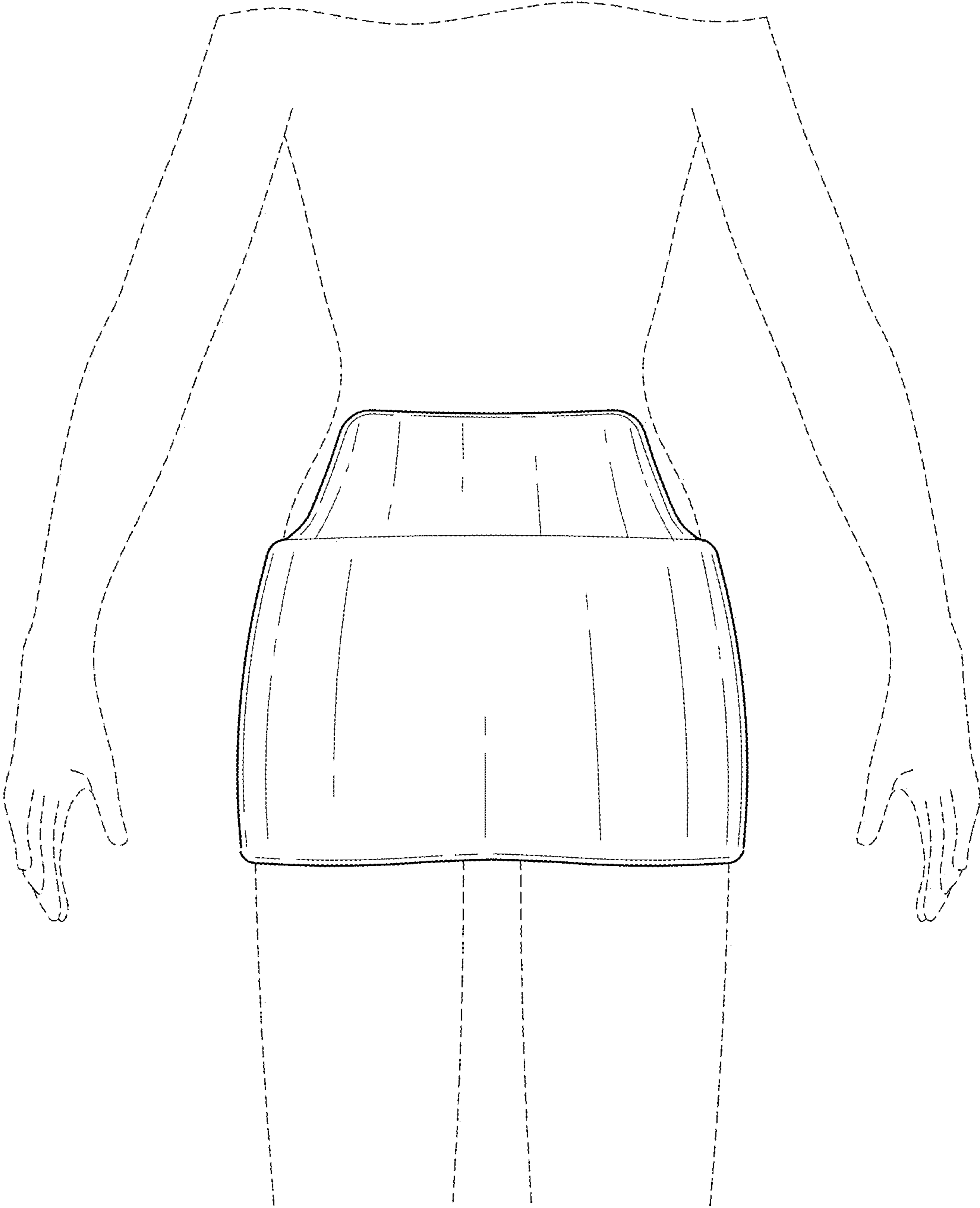


FIG. 8

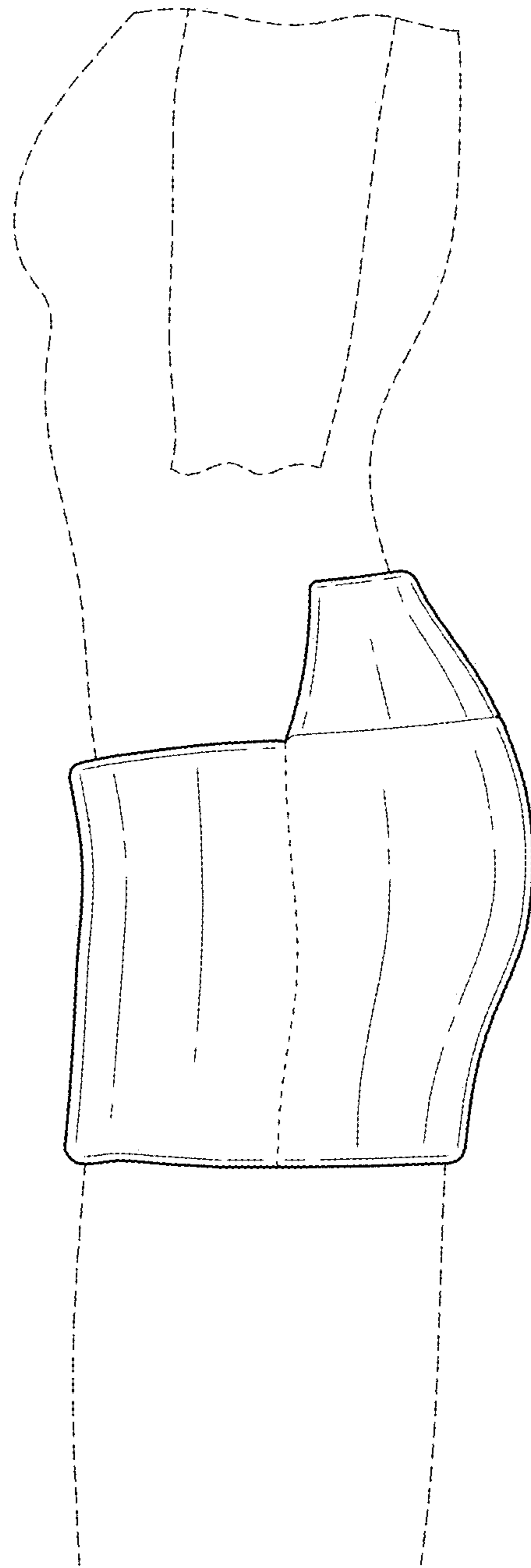


FIG. 9

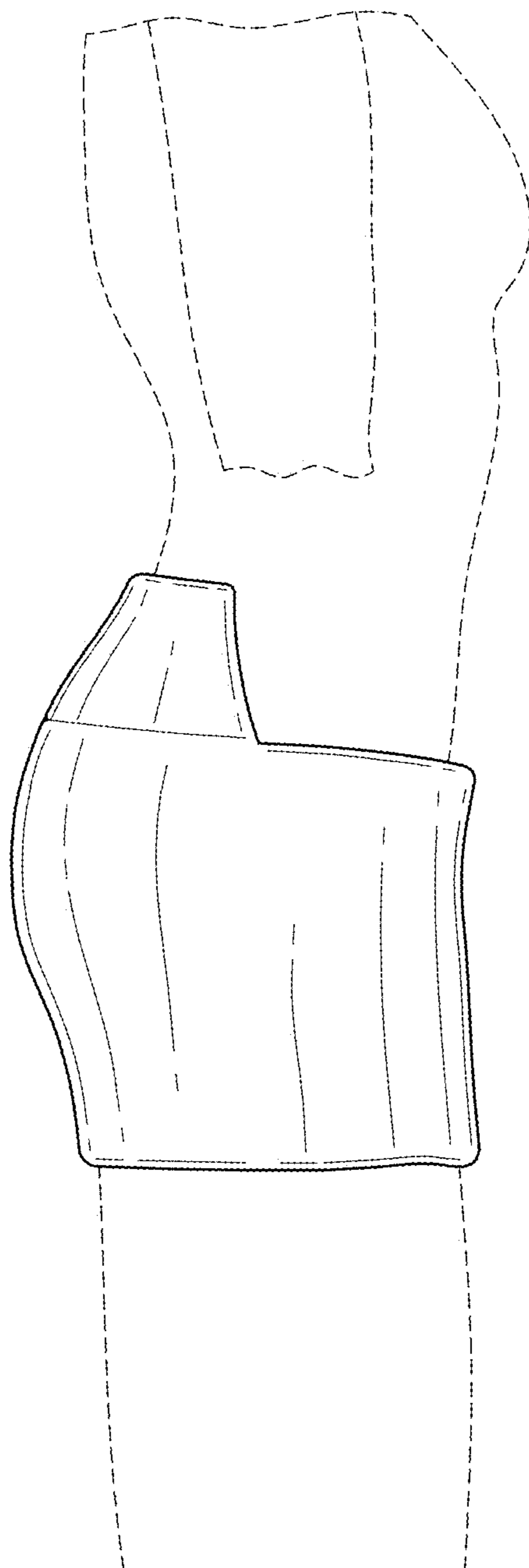


FIG. 10