



US00D875344S

(12) **United States Design Patent** (10) **Patent No.:** **US D875,344 S**  
**Magnusson** (45) **Date of Patent:** **\*\* Feb. 11, 2020**

- (54) **SHOPPING CART**
- (71) Applicant: **Advance Carts Inc.**, Boca Raton, FL (US)
- (72) Inventor: **Marcus Magnusson**, Boca Raton, FL (US)
- (73) Assignee: **Advance Carts Inc.**, Boca Raton, FL (US)

- D348,549 S 7/1994 Trubiano
- 5,348,323 A 9/1994 Trubiano
- 5,494,306 A 2/1996 Adamson
- 5,505,472 A 4/1996 Trubiano
- 5,553,876 A 9/1996 Trubiano
- D377,255 S 1/1997 Rehrig
- 5,702,114 A 12/1997 Downing
- 5,791,666 A 8/1998 Mainard

(Continued)

- (\*\*) Term: **15 Years**
- (21) Appl. No.: **29/642,449**

- (22) Filed: **Mar. 29, 2018**
- (51) **LOC (12) Cl.** ..... **12-02**
- (52) **U.S. Cl.**  
USPC ..... **D34/17**
- (58) **Field of Classification Search**  
USPC ..... 180/20; 280/33.991, 33.992, 33.995,  
280/33.996, 33.997, 47.35, 79.2, 79.3,  
280/647, 651; D12/129; D34/12, 14, 16,  
D34/17, 19, 20, 21, 23, 24, 25, 27  
CPC ..... B62B 3/1444; B62B 5/069; B62B 3/027;  
B62B 3/1496

See application file for complete search history.

(56) **References Cited**

**U.S. PATENT DOCUMENTS**

- 3,361,438 A 1/1968 Davis
- 3,645,554 A 2/1972 Von Stein
- D283,264 S 4/1986 Levy-Joseph
- 4,632,411 A 12/1986 Badger
- D288,619 S 3/1987 Trubiano
- D294,419 S 2/1988 Rehrig
- 4,773,175 A 9/1988 Larsen
- 4,850,684 A 7/1989 Inaba
- 5,203,578 A 4/1993 Davidson
- 5,255,930 A 10/1993 Jones
- 5,306,033 A 4/1994 Evans

**OTHER PUBLICATIONS**

Advancecarts, "Boomrang V3", Feb. 20, 2019. [https://advancecarts.conn/advance-carts-products/?single\\_prod\\_id=81](https://advancecarts.conn/advance-carts-products/?single_prod_id=81). Shown on p. 1. (Year: 2019).\*

*Primary Examiner* — Cynthia Ramirez  
*Assistant Examiner* — Michael A Maharajh  
(74) *Attorney, Agent, or Firm* — Murtha Cullina LLP;  
Anthony P. Gangemi

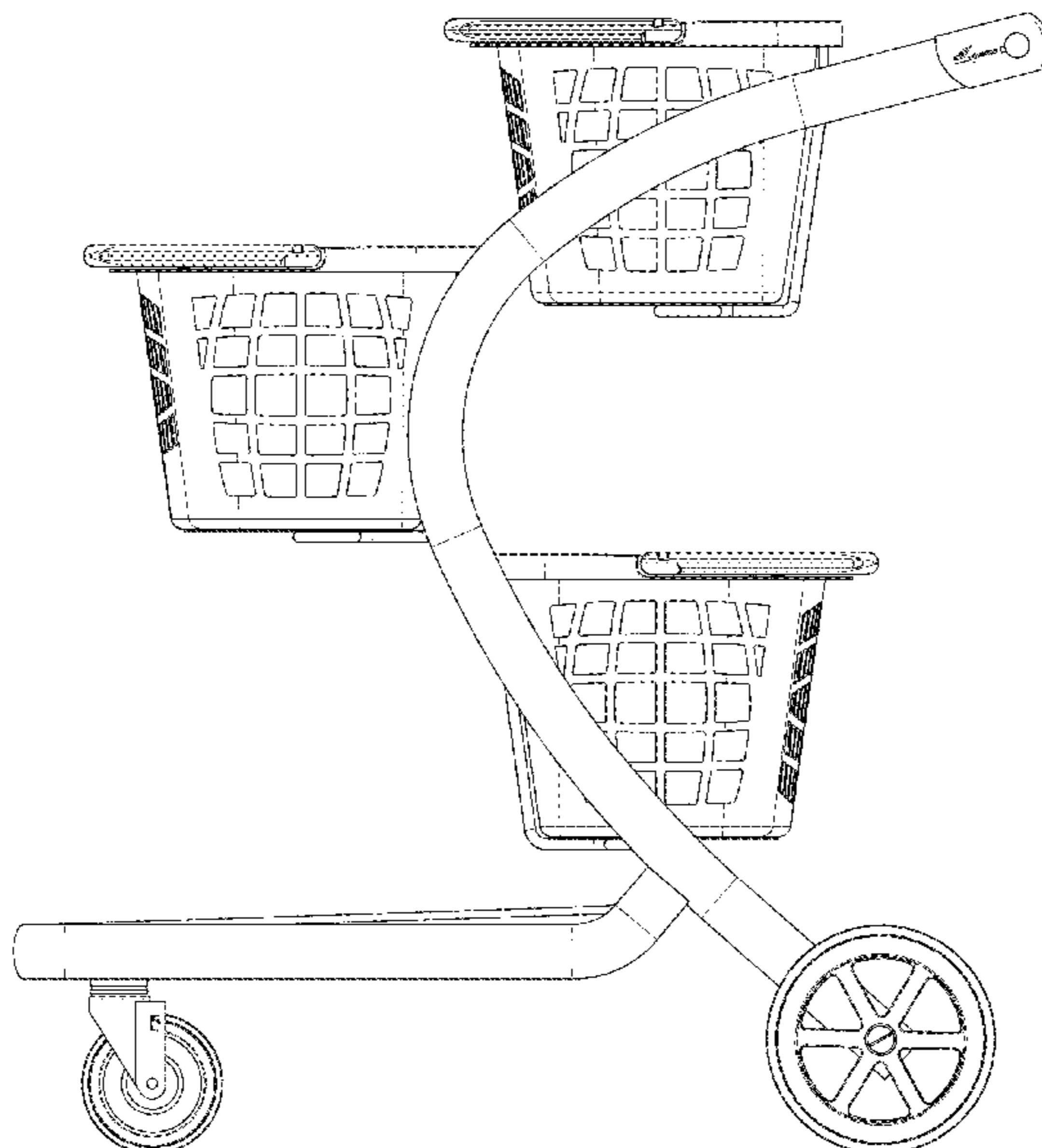
(57) **CLAIM**

The ornamental design of a shopping cart, as shown and described.

**DESCRIPTION**

FIG. 1 is a right side view of a shopping cart showing my new design;  
FIG. 2 is a left side view of the shopping cart shown in FIG. 1;  
FIG. 3 is a front view of the shopping cart shown in FIG. 1;  
FIG. 4 is a rear view of the shopping cart shown in FIG. 1;  
FIG. 5 is a top view of the shopping cart shown in FIG. 1;  
FIG. 6 is a bottom view of the shopping cart shown in FIG. 1;  
FIG. 7 is a rear isometric view of the shopping cart shown in FIG. 1; and,  
FIG. 8 is a front isometric view of the shopping cart shown in FIG. 1.

**1 Claim, 8 Drawing Sheets**



(56)

References Cited

U.S. PATENT DOCUMENTS

D400,679 S 11/1998 Kern  
 5,865,448 A 2/1999 Kern  
 5,947,313 A 9/1999 Kern  
 D431,704 S 10/2000 Perez  
 6,126,181 A 10/2000 Ondrasik  
 D445,230 S 7/2001 Deal  
 D463,647 S 9/2002 Deal  
 6,540,240 B2 4/2003 Nadeau  
 6,644,674 B2 11/2003 Simard  
 6,705,623 B2 3/2004 Nadeau  
 D493,594 S 7/2004 Prather  
 6,761,364 B2 7/2004 Murar  
 6,932,363 B2 8/2005 D'Angelo  
 7,104,552 B2 9/2006 Swanson  
 7,168,711 B2 1/2007 Ondrasik  
 D538,501 S 3/2007 Walter  
 D546,018 S \* 7/2007 Goodell ..... D34/21  
 D550,423 S 9/2007 Splain  
 D556,413 S 11/2007 Splain  
 7,322,582 B2 1/2008 Prather  
 D564,172 S 3/2008 Steinhobel  
 D566,372 S 4/2008 Walter  
 D577,172 S \* 9/2008 Coderre ..... D34/12  
 D580,619 S 11/2008 Walter  
 D584,023 S 12/2008 Walter  
 D607,173 S \* 12/2009 Selvig ..... D34/21  
 D633,269 S 2/2011 Walter  
 D638,602 S 5/2011 Walter  
 D639,521 S 6/2011 Walter  
 D643,175 S 8/2011 Peota  
 D644,809 S 9/2011 Walter  
 D656,288 S 3/2012 Walter

D656,700 S 3/2012 Walter  
 D658,841 S 5/2012 Walter  
 D663,091 S 7/2012 Walter  
 D665,552 S \* 8/2012 Walter ..... D34/21  
 D665,962 S \* 8/2012 Walter ..... D34/27  
 D672,111 S \* 12/2012 Walter ..... D34/21  
 D677,033 S \* 2/2013 Walter ..... D34/21  
 D684,744 S \* 6/2013 Walter ..... D34/27  
 D685,972 S \* 7/2013 Walter ..... D34/21  
 D693,981 S \* 11/2013 Walter ..... D34/27  
 D700,762 S 3/2014 Walter  
 D710,562 S \* 8/2014 Stauff ..... D34/27  
 D751,264 S 3/2016 Walter  
 RE45,961 E 4/2016 Walter  
 D756,586 S \* 5/2016 Magnusson ..... D34/21  
 D763,536 S 8/2016 Walter  
 RE46,268 E 1/2017 Walter  
 RE46,281 E 1/2017 Walter  
 D786,524 S \* 5/2017 Sherman ..... D34/21  
 D800,408 S \* 10/2017 Sherman ..... D34/21  
 D800,986 S \* 10/2017 Magnusson ..... D34/17  
 D802,869 S \* 11/2017 Sherman ..... D34/27  
 D802,870 S \* 11/2017 Sherman ..... D34/27  
 D805,711 S \* 12/2017 Magnusson ..... D34/21  
 D806,341 S \* 12/2017 Magnusson ..... D34/20  
 D806,342 S \* 12/2017 Magnusson ..... D34/21  
 D813,486 S \* 3/2018 Stauff ..... D34/21  
 D822,304 S \* 7/2018 Walter ..... D34/21  
 D839,525 S \* 1/2019 Magnusson ..... D34/21  
 2001/0022436 A1 9/2001 Simard  
 2002/0135144 A1 9/2002 Murar  
 2003/0197339 A1 10/2003 D'Angelo  
 2008/0111328 A1 5/2008 Ryan  
 2009/0309322 A1 \* 12/2009 Selvig ..... B62B 3/14  
 280/33.996

\* cited by examiner

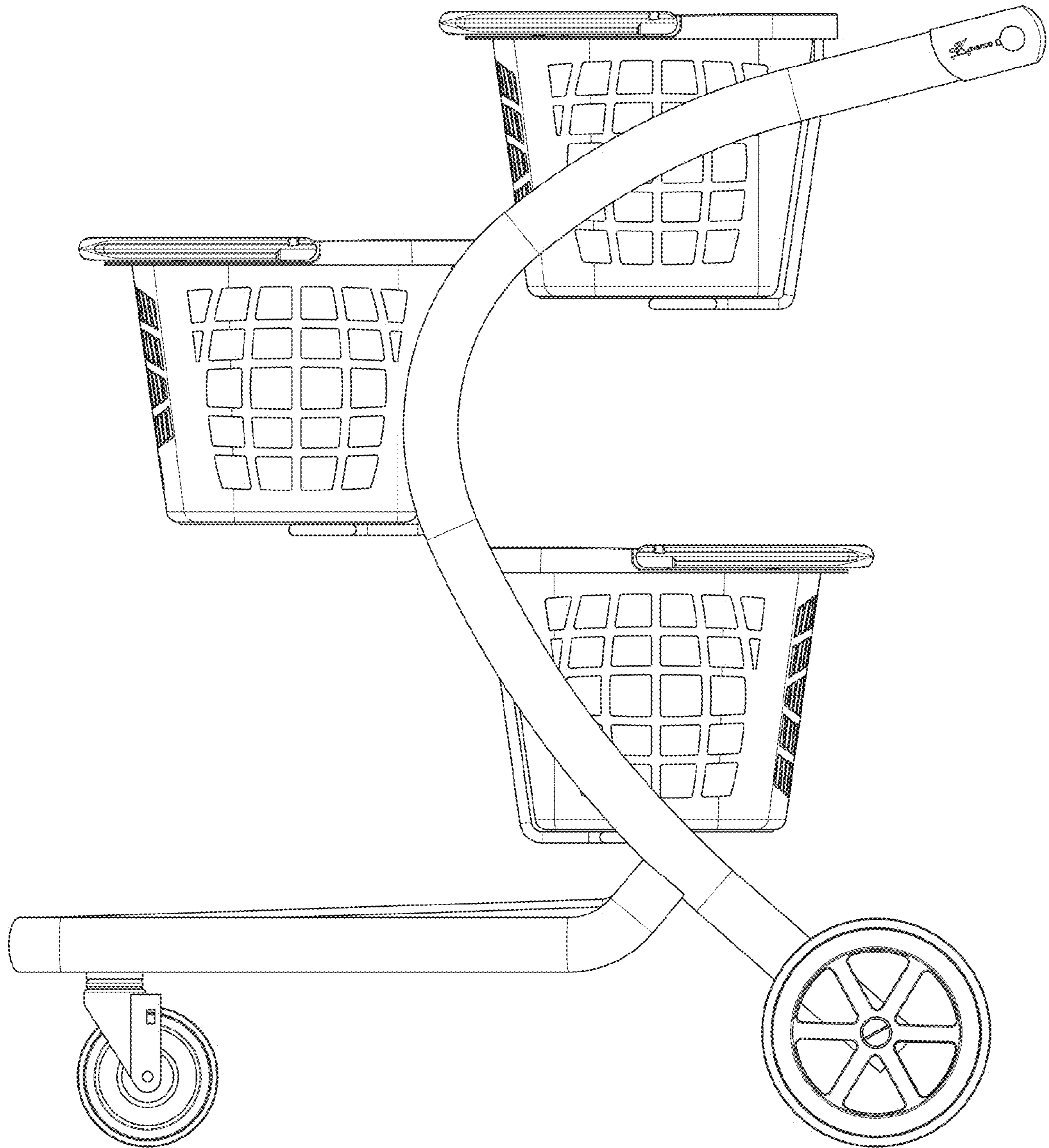


FIG. 1

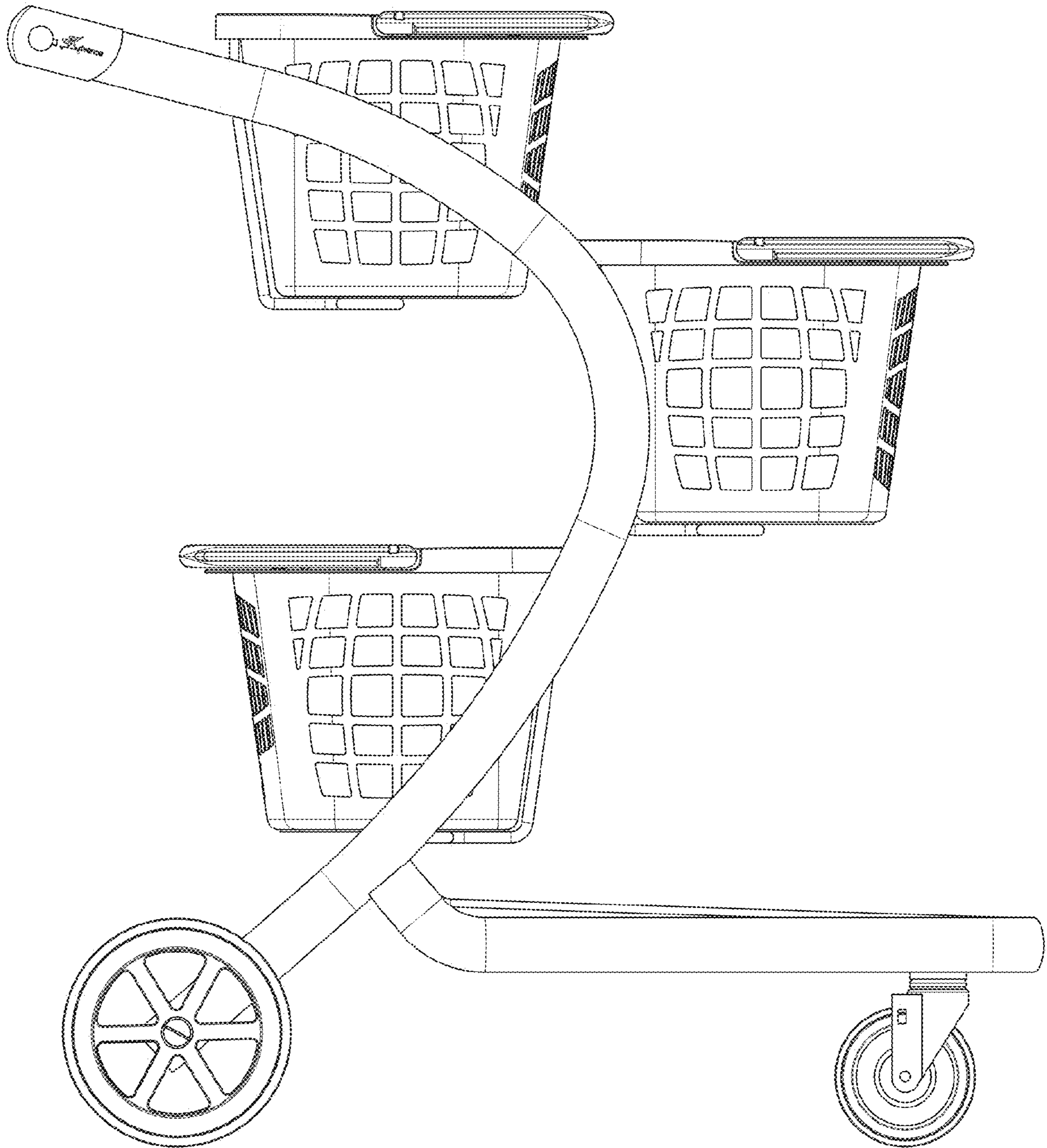


FIG. 2

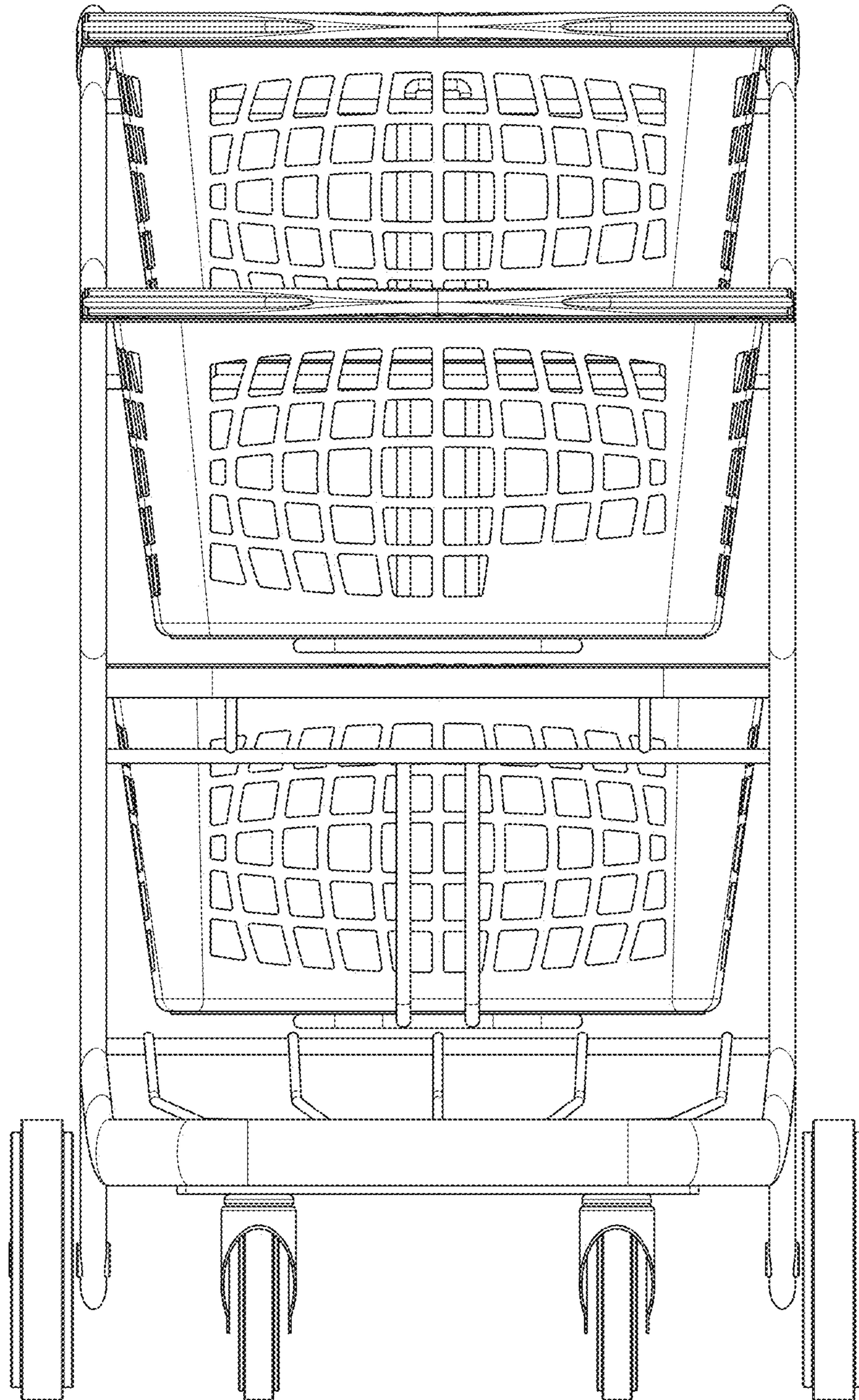


FIG. 3

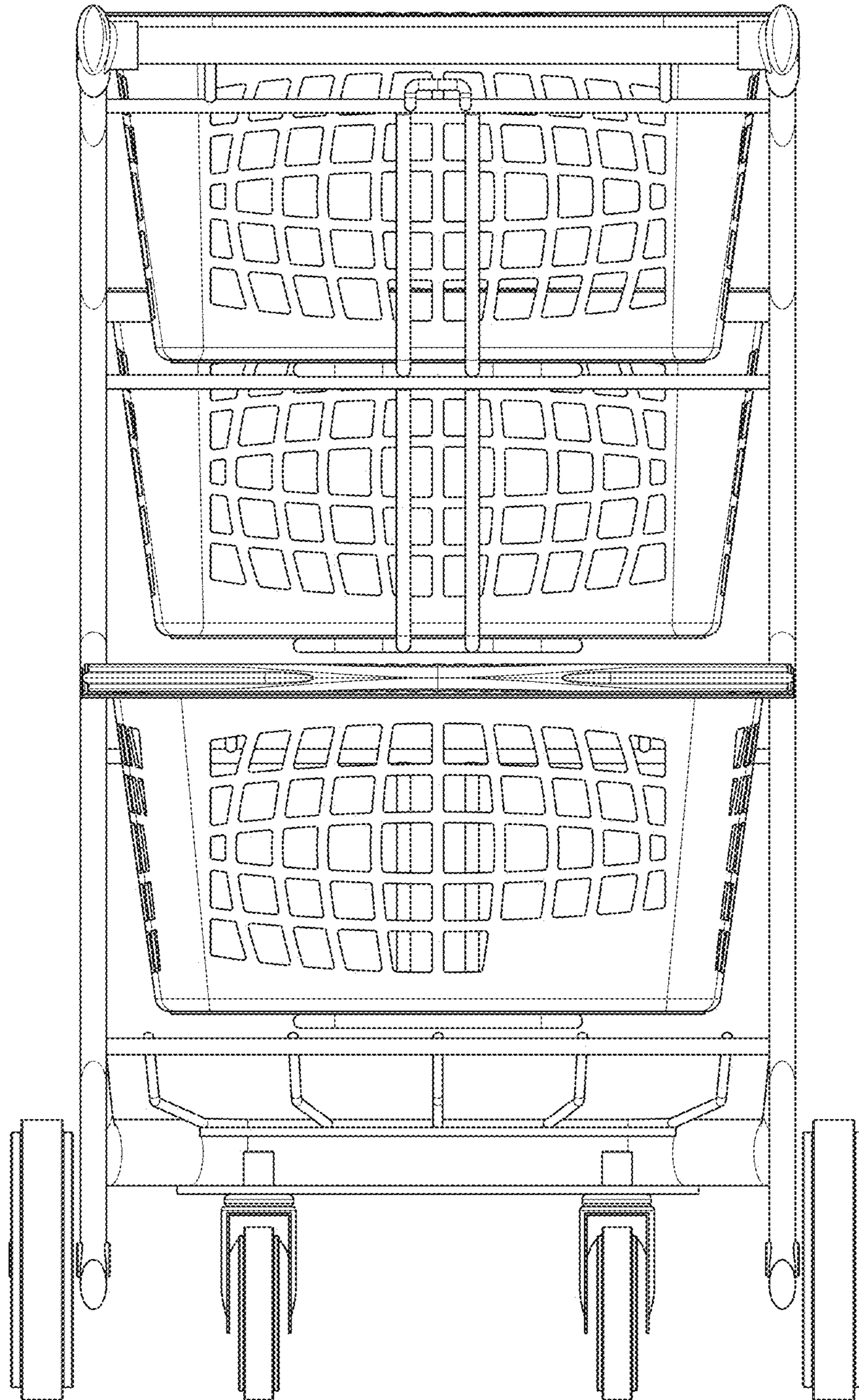


FIG. 4

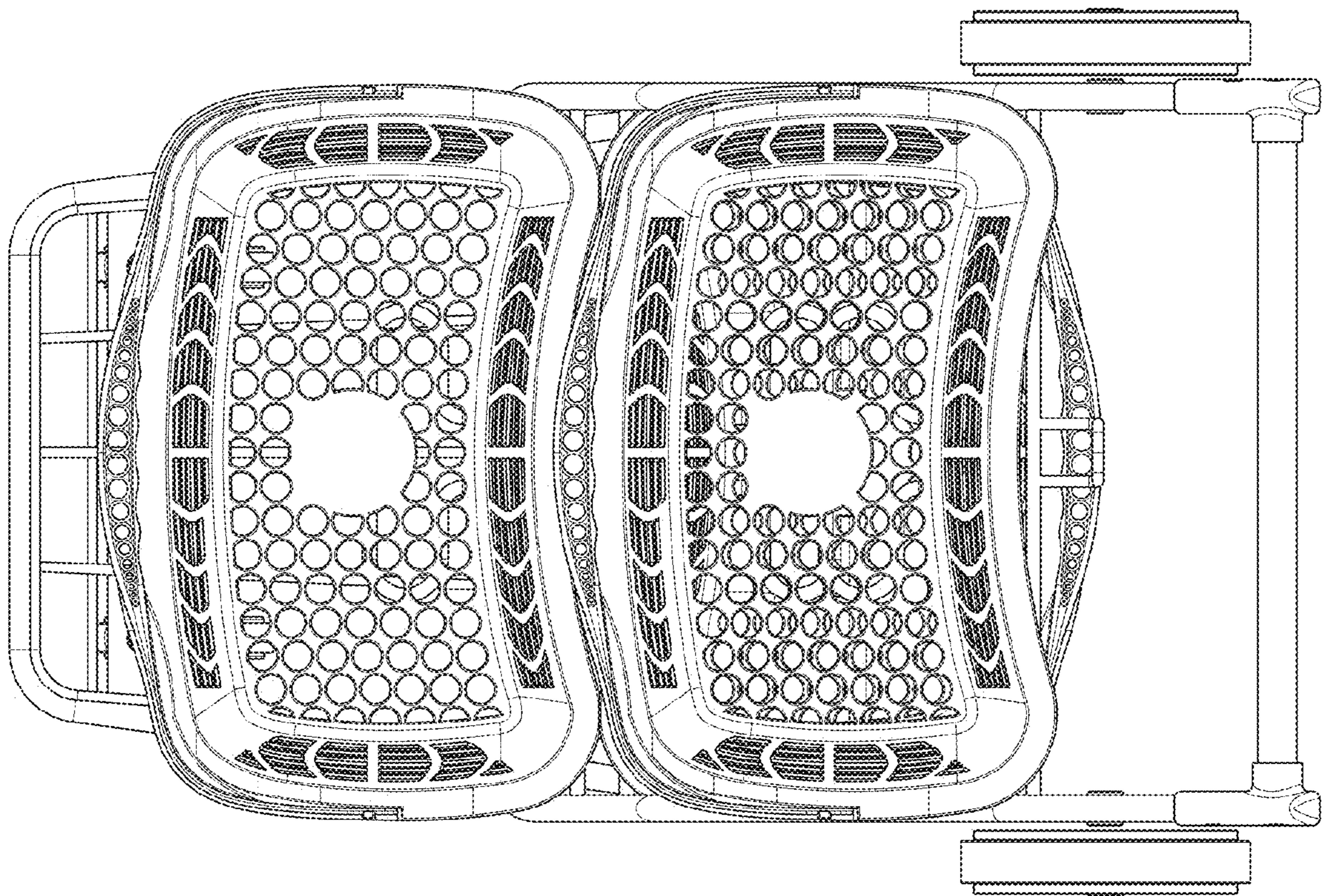


FIG. 5

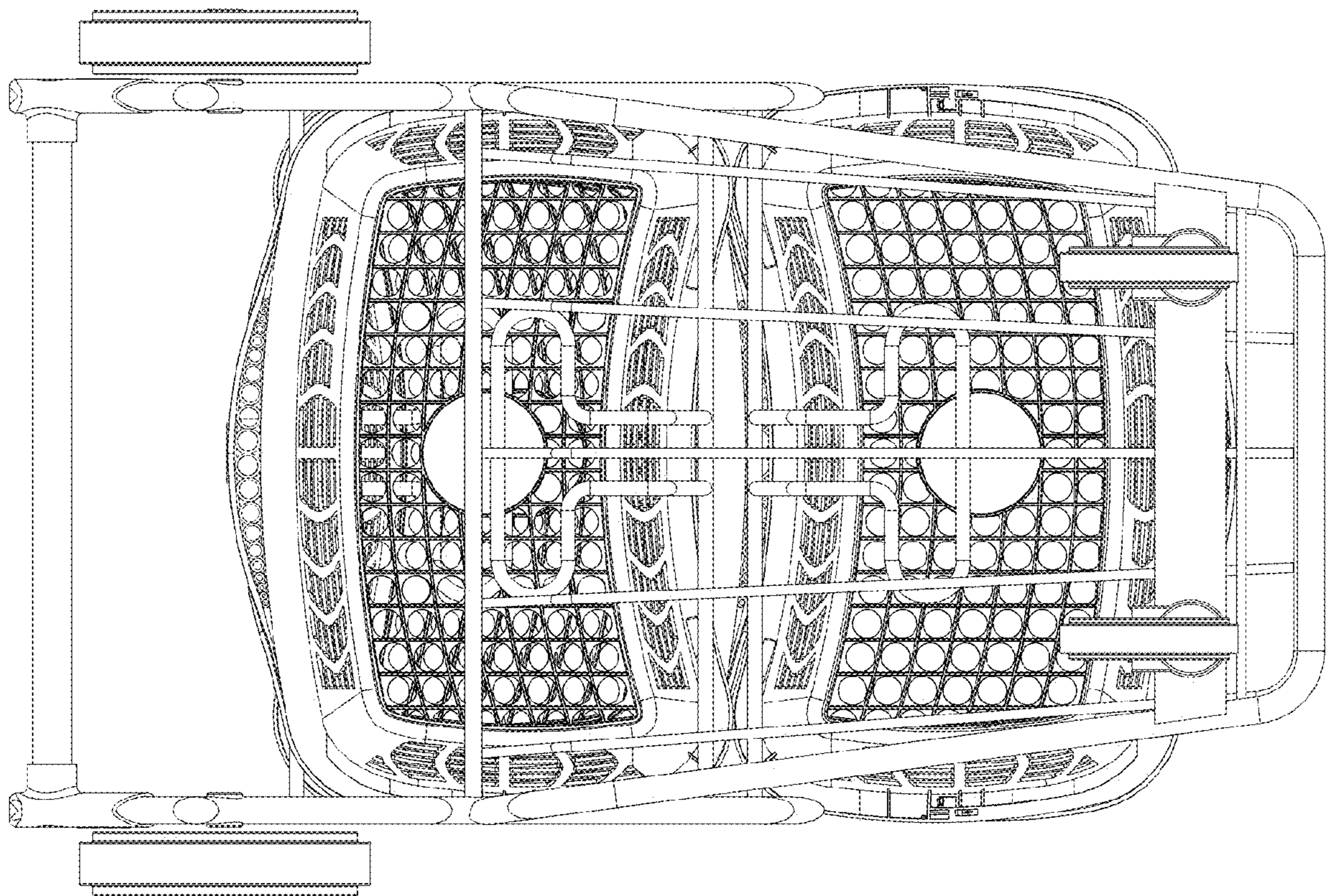


FIG. 6



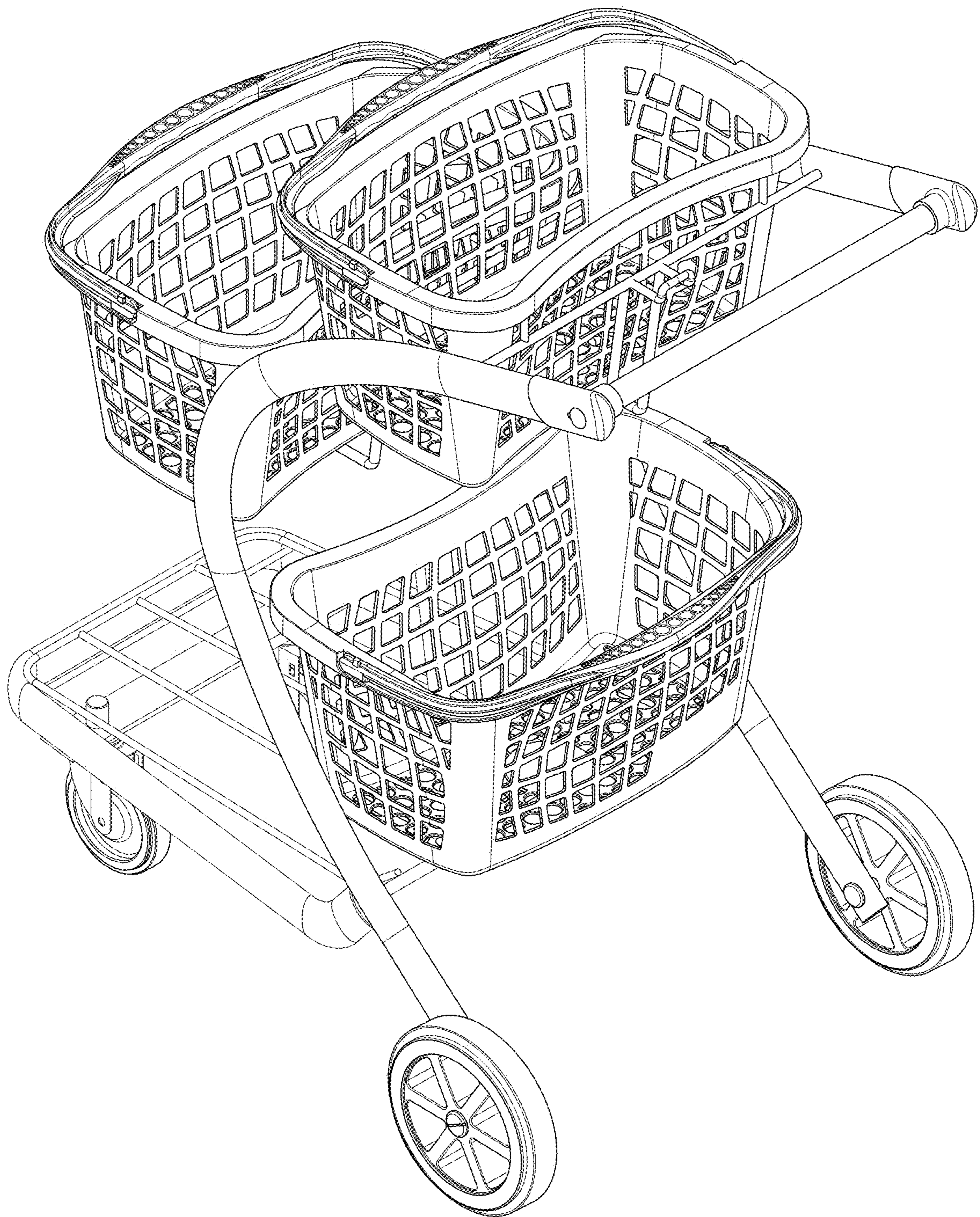


FIG. 7

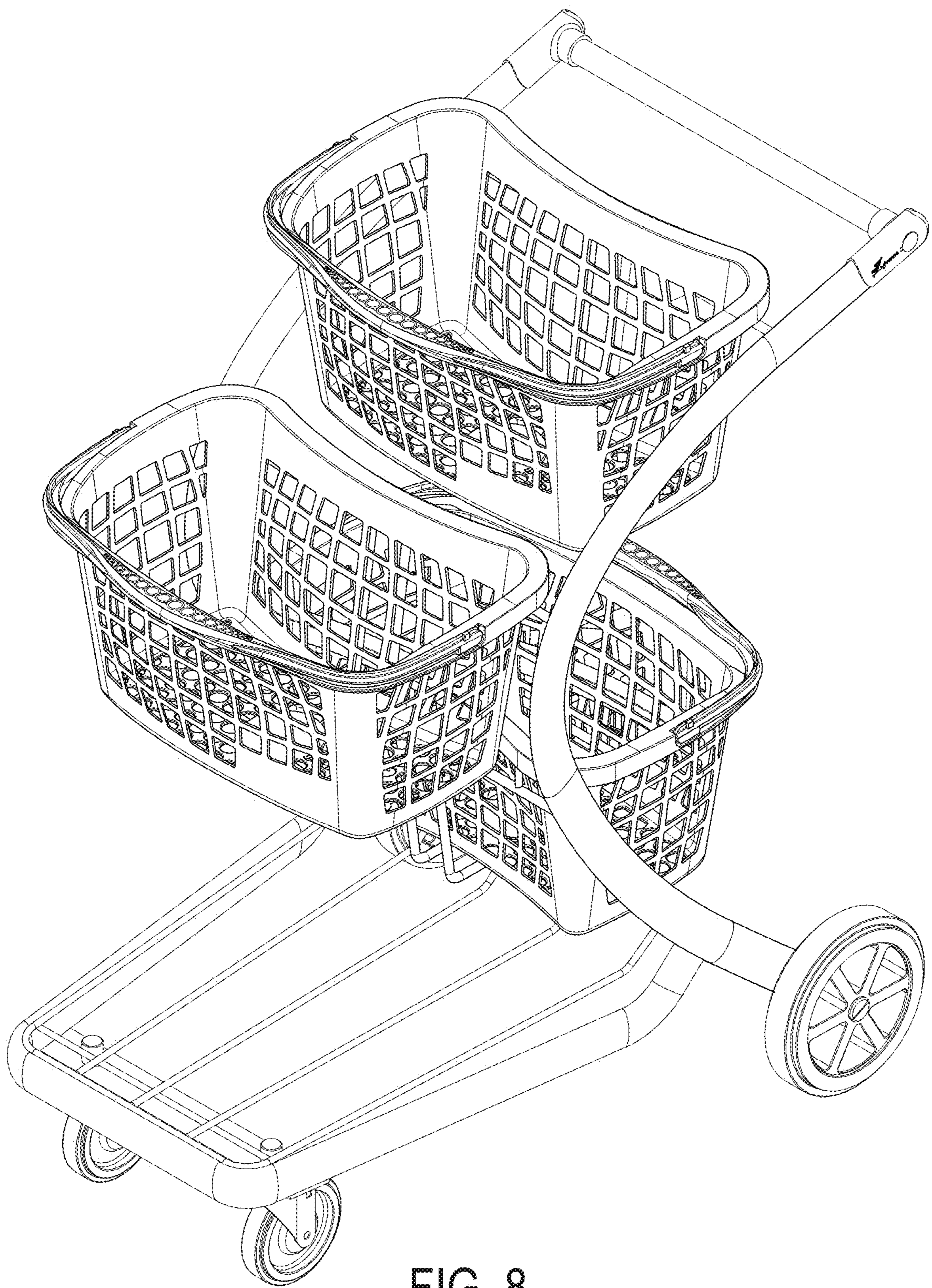


FIG. 8