



US00D875341S

(12) **United States Design Patent** (10) **Patent No.:** **US D875,341 S**
Magnusson (45) **Date of Patent:** **** Feb. 11, 2020**

(54) **SHOPPING CART**
(71) Applicant: **Advance Carts Inc.**, Boca Raton, FL (US)
(72) Inventor: **Marcus Magnusson**, Boca Raton, FL (US)
(73) Assignee: **Advance Carts Inc.**, Boca Raton, FL (US)

4,632,411 A 12/1986 Badger
D288,619 S 3/1987 Trubiano
D292,639 S * 11/1987 Kean D34/24
D294,419 S 2/1988 Rehrig
4,773,175 A 9/1988 Larsen
4,850,684 A 7/1989 Inaba
5,013,103 A * 5/1991 Addison A47B 21/00
D34/17

(Continued)

(**) Term: **15 Years**
(21) Appl. No.: **29/643,108**
(22) Filed: **Apr. 4, 2018**
(51) **LOC (12) Cl.** **12-02**
(52) **U.S. Cl.**
USPC **D34/12**
(58) **Field of Classification Search**
USPC 180/20; 280/33.991, 33.992, 33.995,
280/33.996, 33.997, 47.35, 79.2, 79.3,
280/647, 651; D12/129; D34/12, 14, 16,
D34/17, 19, 20, 21, 23, 24, 25, 27
CPC B62B 3/1444; B62B 5/069; B62B 3/027;
B62B 3/1496
See application file for complete search history.

OTHER PUBLICATIONS

Advancecarts, "Boomrang V3", Feb. 20, 2019. https://advancecarts.com/advance-carts-products/?single_prod_id=81. Shown on p. 1. (Year: 2019).*

Primary Examiner — Cynthia Ramirez
Assistant Examiner — Michael A Maharajh
(74) *Attorney, Agent, or Firm* — Murtha Cullina LLP;
Anthony P. Gangemi

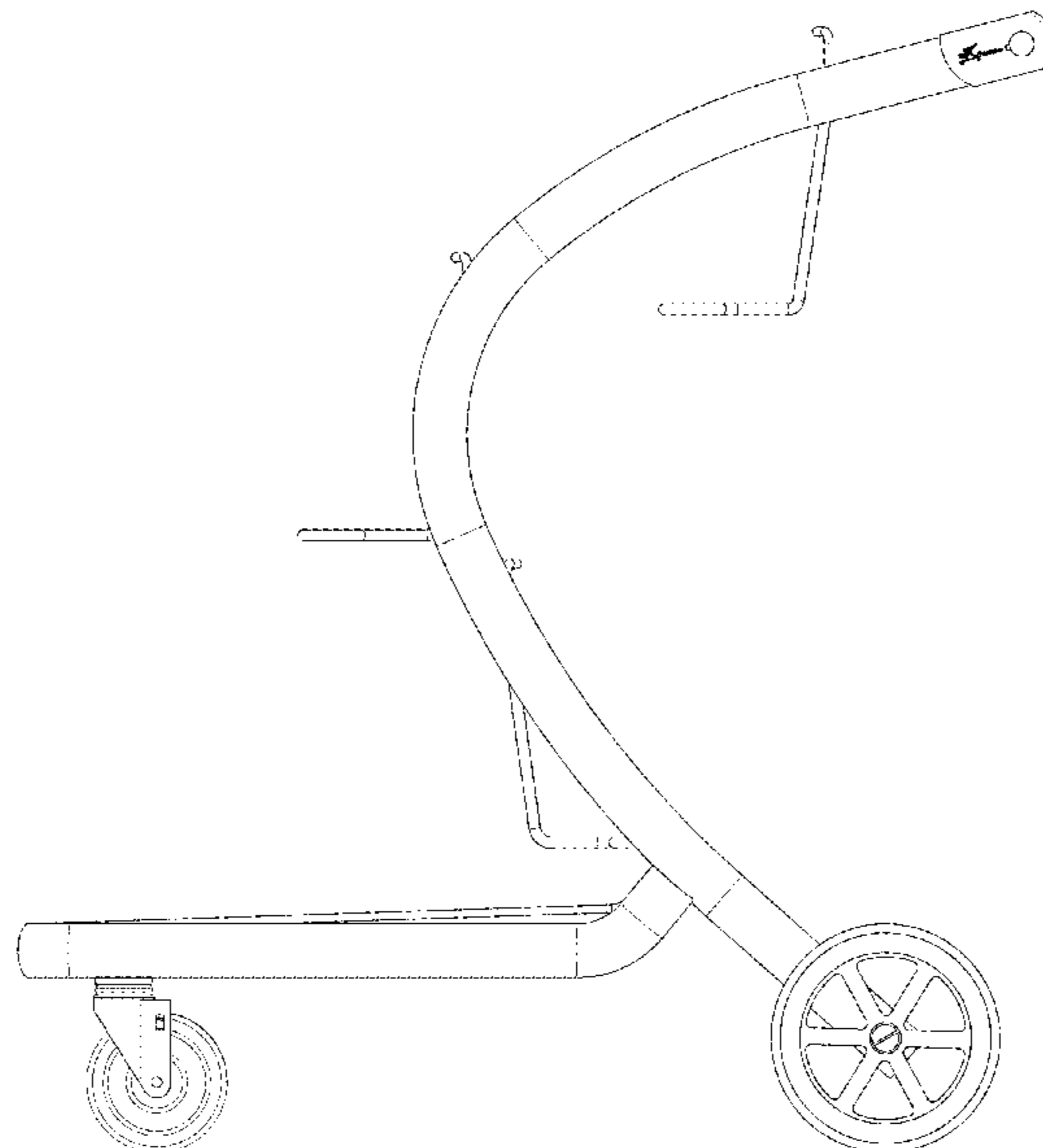
(56) **References Cited**
U.S. PATENT DOCUMENTS
D150,475 S * 8/1948 Swenson D34/17
D152,666 S * 2/1949 Williams D34/21
D157,589 S * 3/1950 Hartenbach 280/47.19
D194,028 S * 11/1962 Lerner D34/21
D197,282 S * 1/1964 Gusdorf D34/21
3,361,438 A 1/1968 Davis
3,645,554 A 2/1972 Von Stein
D265,518 S * 7/1982 Berlin D34/17
4,363,496 A * 12/1982 Schreiner B62B 3/10
280/47.35
D283,264 S 4/1986 Levy-Joseph

(57) **CLAIM**
The ornamental design of a shopping cart, as shown and described.

DESCRIPTION

FIG. 1 is a right side view of a shopping cart showing my new design;
FIG. 2 is a left side view of the shopping cart shown in FIG. 1;
FIG. 3 is a front view of the shopping cart shown in FIG. 1;
FIG. 4 is a rear view of the shopping cart shown in FIG. 1;
FIG. 5 is a top view of the shopping cart shown in FIG. 1;
FIG. 6 is a bottom view of the shopping cart shown in FIG. 1;
FIG. 7 is a rear isometric view of the shopping cart shown in FIG. 1; and,
FIG. 8 is a front isometric view of the shopping cart shown in FIG. 1.

1 Claim, 8 Drawing Sheets



(56)

References Cited

U.S. PATENT DOCUMENTS

5,203,578 A 4/1993 Davidson
D335,737 S * 5/1993 Bell, Sr. D34/24
D337,191 S * 7/1993 Ibrahim D34/12
5,255,930 A 10/1993 Jones
5,306,033 A 4/1994 Evans
D348,549 S 7/1994 Trubiano
5,328,182 A * 7/1994 Kuo B62B 5/02
D34/17
5,348,323 A 9/1994 Trubiano
D363,589 S * 10/1995 Lafleur D34/19
D365,904 S * 1/1996 Adamson 280/33.993
D366,548 S * 1/1996 Morasse D34/24
D367,251 S * 2/1996 Ahlberg D12/129
D367,348 S * 2/1996 Basharat D34/12
5,494,306 A 2/1996 Adamson
D368,564 S * 4/1996 Trubiano 280/33.997
5,505,472 A 4/1996 Trubiano
5,553,876 A 9/1996 Trubiano
D377,255 S 1/1997 Rehrig
5,702,114 A 12/1997 Downing
5,791,666 A 8/1998 Mainard
D399,625 S * 10/1998 Murphy D34/21
D400,679 S 11/1998 Kern
5,865,448 A 2/1999 Kern
D407,882 S * 4/1999 Duchene D34/12
5,947,313 A 9/1999 Kern
D431,704 S 10/2000 Perez
6,126,181 A 10/2000 Ondrasik
D445,230 S 7/2001 Deal
D447,847 S * 9/2001 Shyshka D34/17
D449,913 S * 10/2001 Walter D34/17
D455,243 S * 4/2002 Walter D34/17
D463,647 S 9/2002 Deal
D465,313 S * 11/2002 Le Marchand D34/17
D465,632 S * 11/2002 Koppes D12/129
D465,633 S * 11/2002 Le Marchand D34/17
D468,880 S * 1/2003 Porter B62B 3/144
D34/17
D470,084 S * 2/2003 Schlough D12/129
D472,026 S * 3/2003 Walter D34/20
D472,027 S * 3/2003 Walter D34/21
6,540,240 B2 4/2003 Nadeau
D478,198 S * 8/2003 Koppes D12/129
D481,511 S * 10/2003 Lee D34/24
6,644,674 B2 11/2003 Simard
6,705,623 B2 3/2004 Nadeau
D492,076 S * 6/2004 Kollen D34/21
D493,594 S 7/2004 Prather
6,761,364 B2 7/2004 Murar

D493,932 S * 8/2004 Prather D34/21
D502,793 S * 3/2005 Porter D34/12
6,932,363 B2 8/2005 D'Angelo
7,104,552 B2 9/2006 Swanson
7,168,711 B2 1/2007 Ondrasik
D537,603 S * 2/2007 Oh D34/24
D538,501 S 3/2007 Walter
D548,421 S * 8/2007 Walter D34/17
D550,423 S 9/2007 Splain
D556,413 S 11/2007 Splain
7,322,582 B2 1/2008 Prather
D564,172 S 3/2008 Steinhobel
D566,372 S 4/2008 Walter
D580,619 S 11/2008 Walter
D584,023 S 12/2008 Walter
D589,671 S * 3/2009 Rolim De Oliveira D34/17
D606,722 S * 12/2009 Walter D34/12
D612,123 S * 3/2010 Lawrence D34/24
D622,471 S * 8/2010 Hernandez D34/12
D633,269 S 2/2011 Walter
D635,731 S * 4/2011 Schloemer D34/12
D638,602 S 5/2011 Walter
D639,521 S 6/2011 Walter
D643,175 S 8/2011 Peota
D644,809 S 9/2011 Walter
D649,317 S * 11/2011 Nolin D34/12
D655,880 S * 3/2012 Giampavolo D34/12
D656,288 S 3/2012 Walter
D656,700 S 3/2012 Walter
D658,841 S 5/2012 Walter
D663,091 S 7/2012 Walter
D700,762 S 3/2014 Walter
D751,264 S 3/2016 Walter
RE45,961 E 4/2016 Walter
D763,536 S 8/2016 Walter
D770,716 S * 11/2016 Giampavolo D34/17
RE46,268 E 1/2017 Walter
RE46,281 E 1/2017 Walter
D786,144 S * 5/2017 Pos D12/129
9,714,045 B2 * 7/2017 Dhand B62B 5/06
D808,104 S * 1/2018 Schaaper D34/12
D809,436 S * 2/2018 Tang D12/129
D810,378 S * 2/2018 Walter D34/12
D819,291 S * 5/2018 Turcotte D34/5
D826,794 S * 8/2018 Walker D12/129
D835,009 S * 12/2018 Taylor D12/129
D838,076 S * 1/2019 Sharratt D34/12
2001/0022436 A1 9/2001 Simard
2002/0135144 A1 9/2002 Murar
2003/0197339 A1 10/2003 D'Angelo
2008/0111328 A1 5/2008 Ryan

* cited by examiner

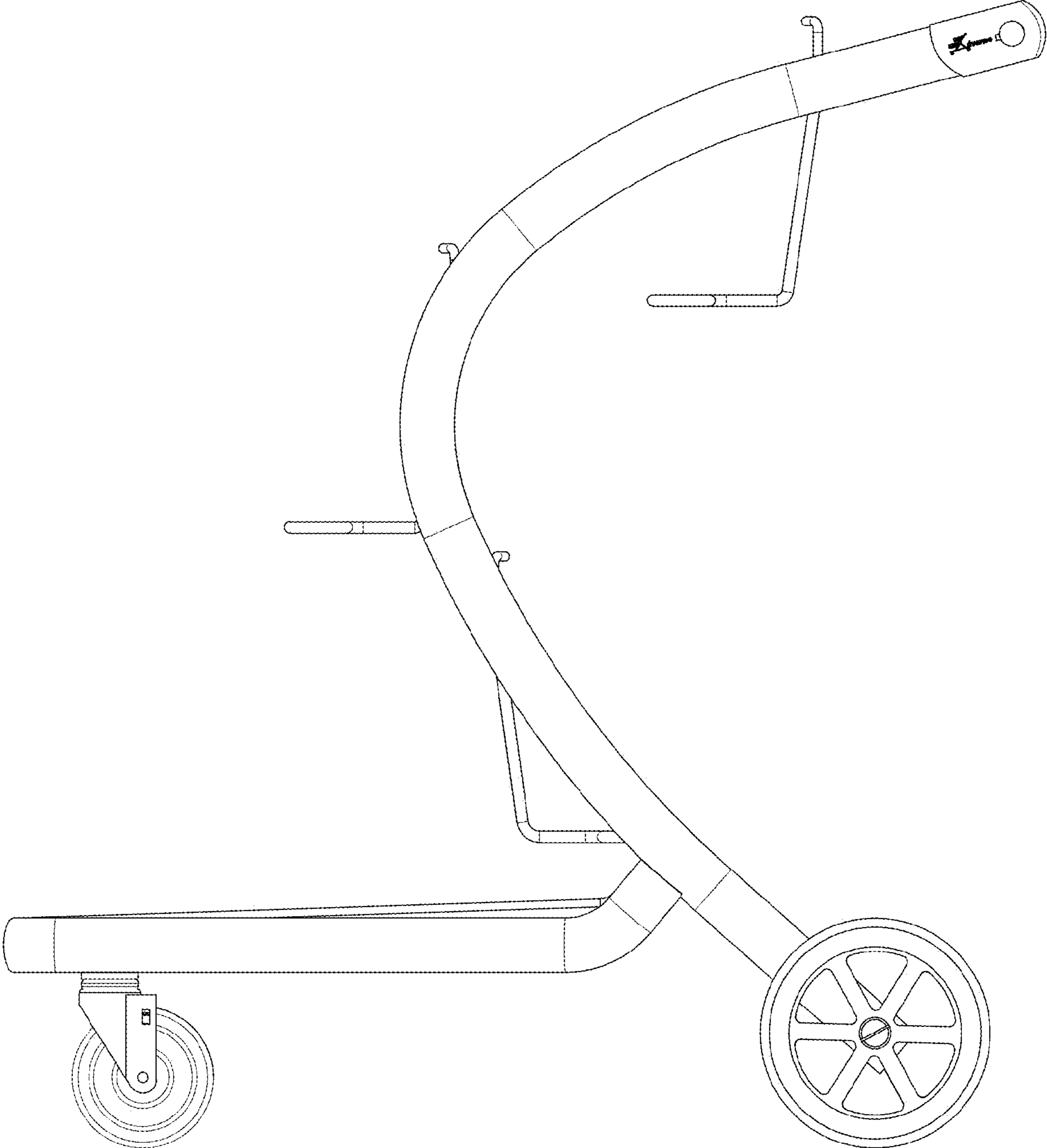


FIG. 1

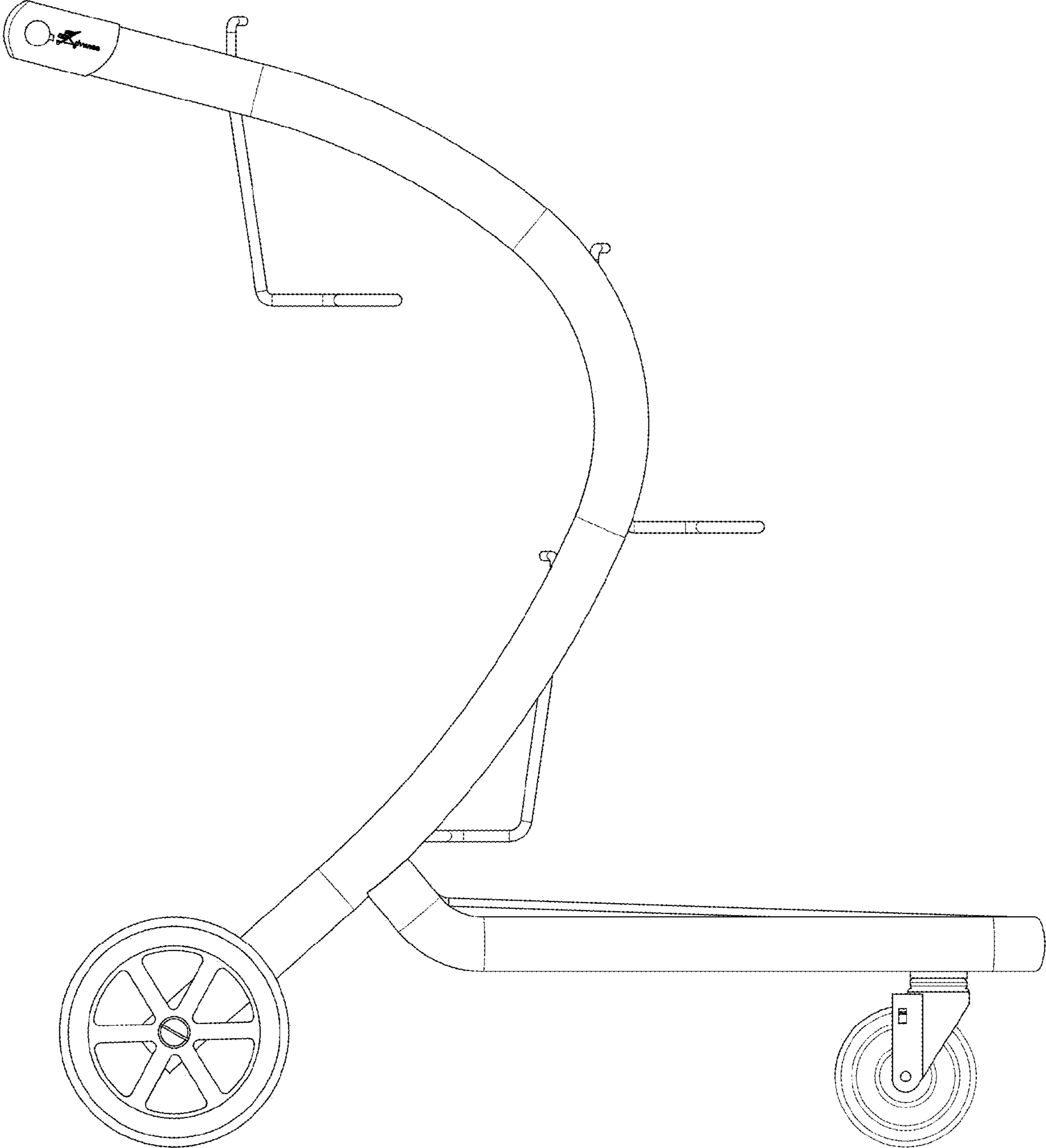


FIG. 2

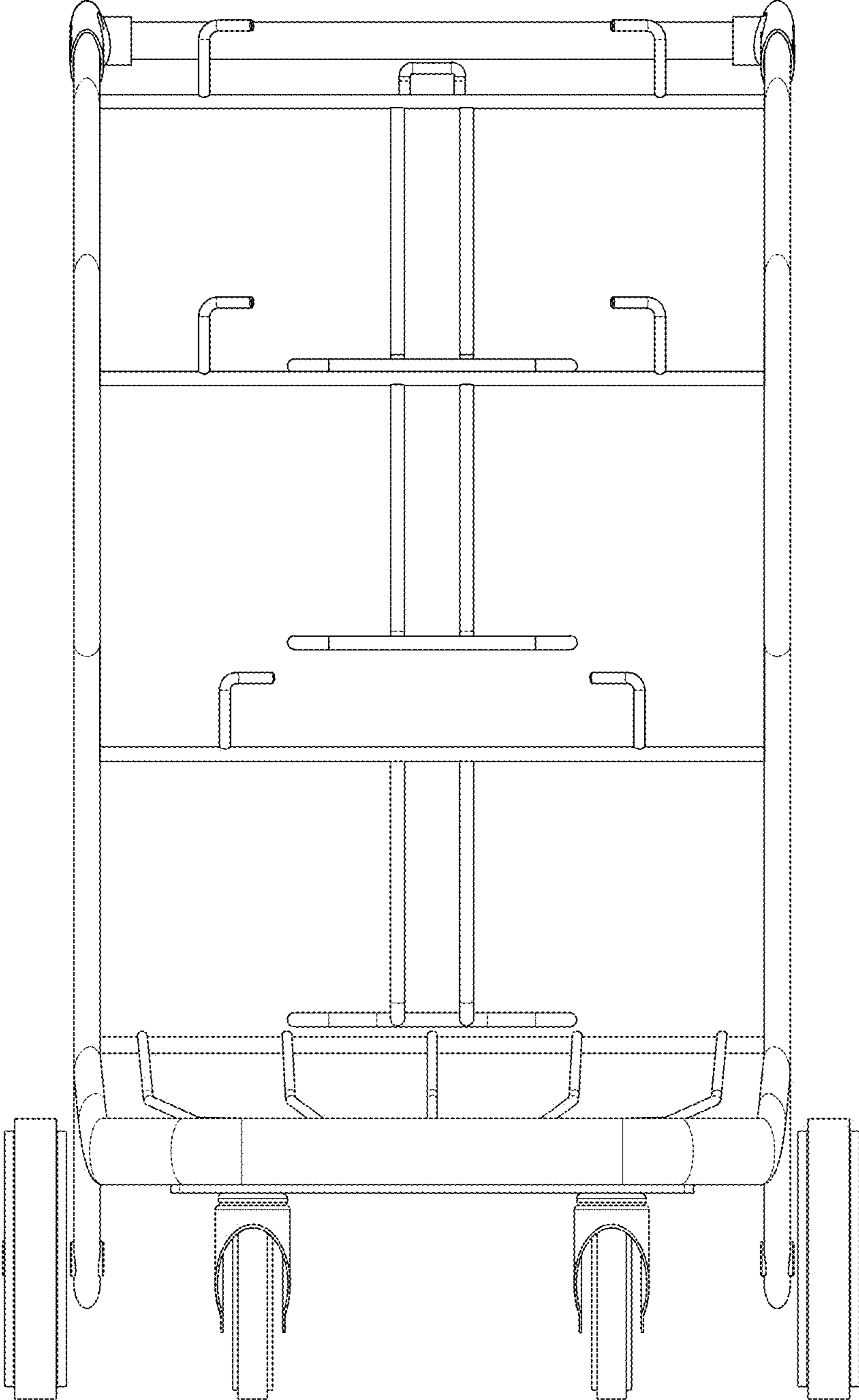


FIG. 3

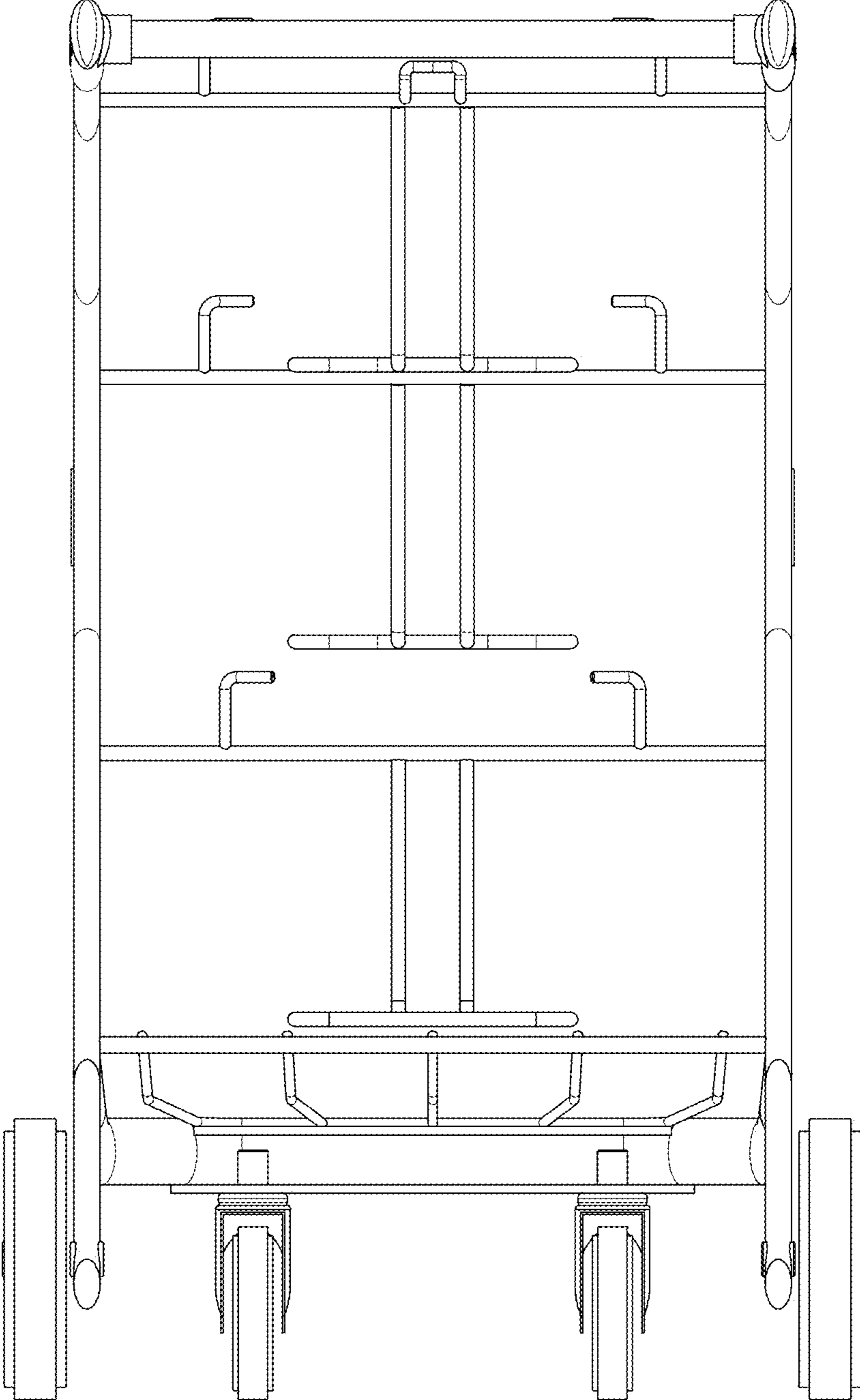


FIG. 4

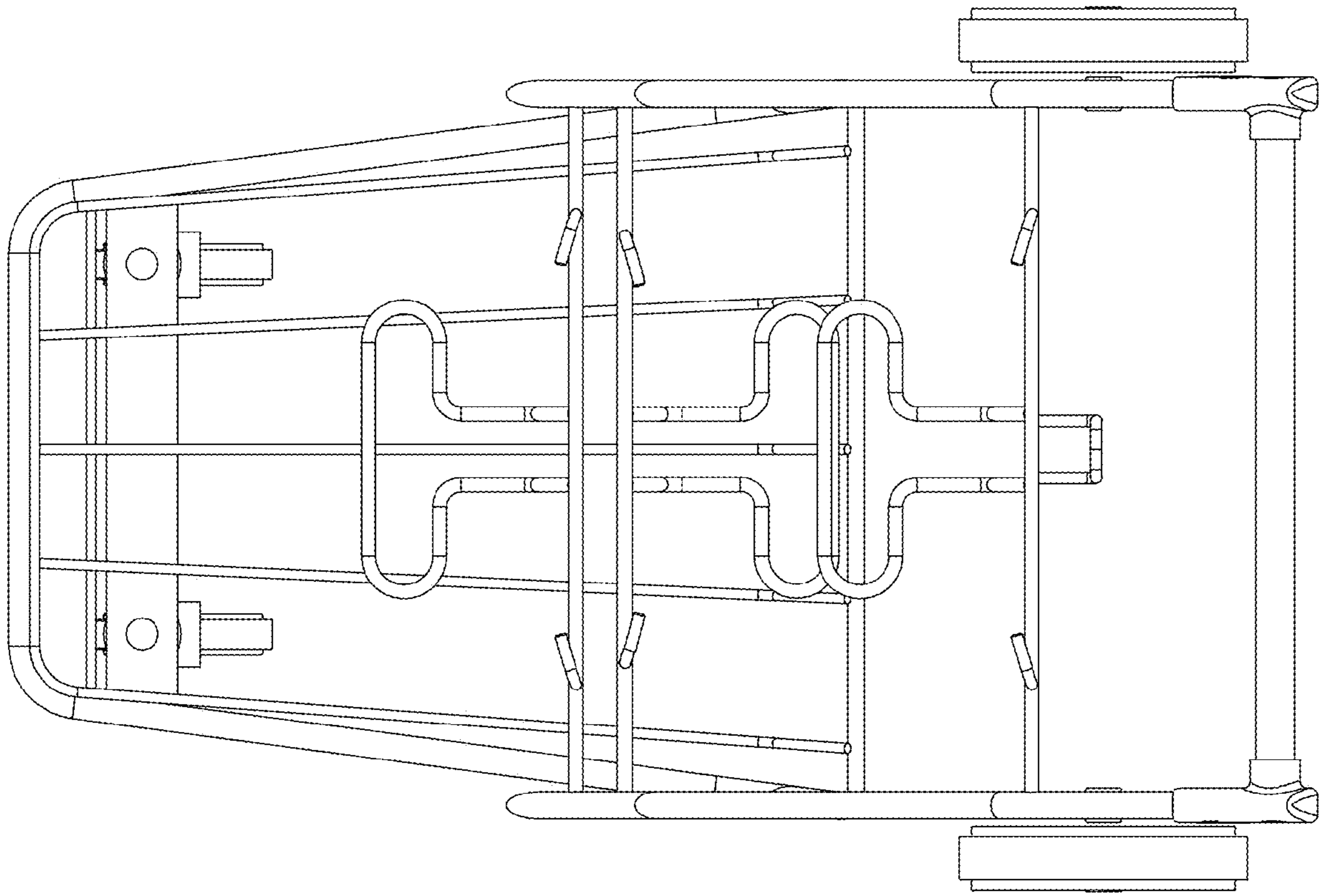


FIG. 5

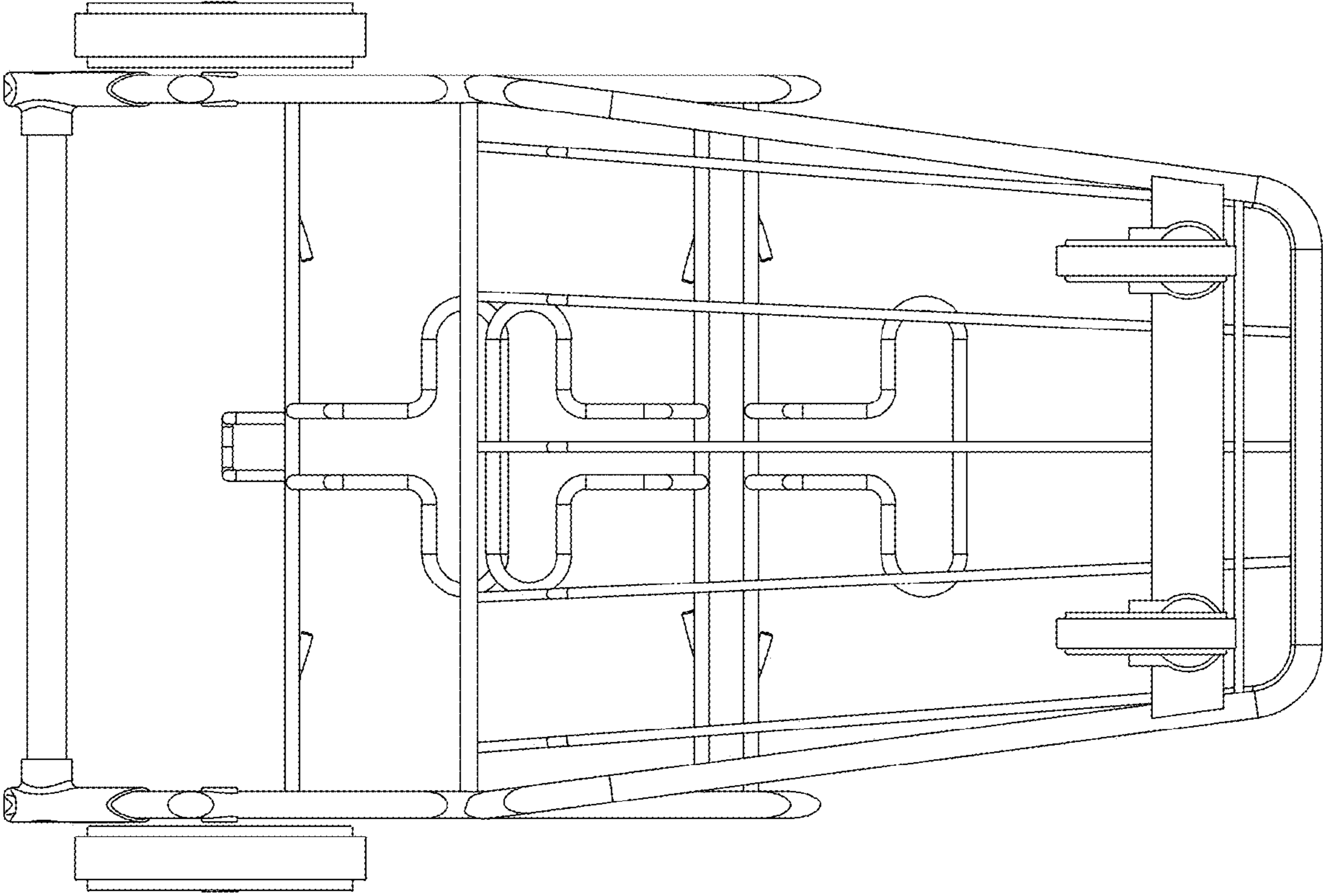


FIG. 6

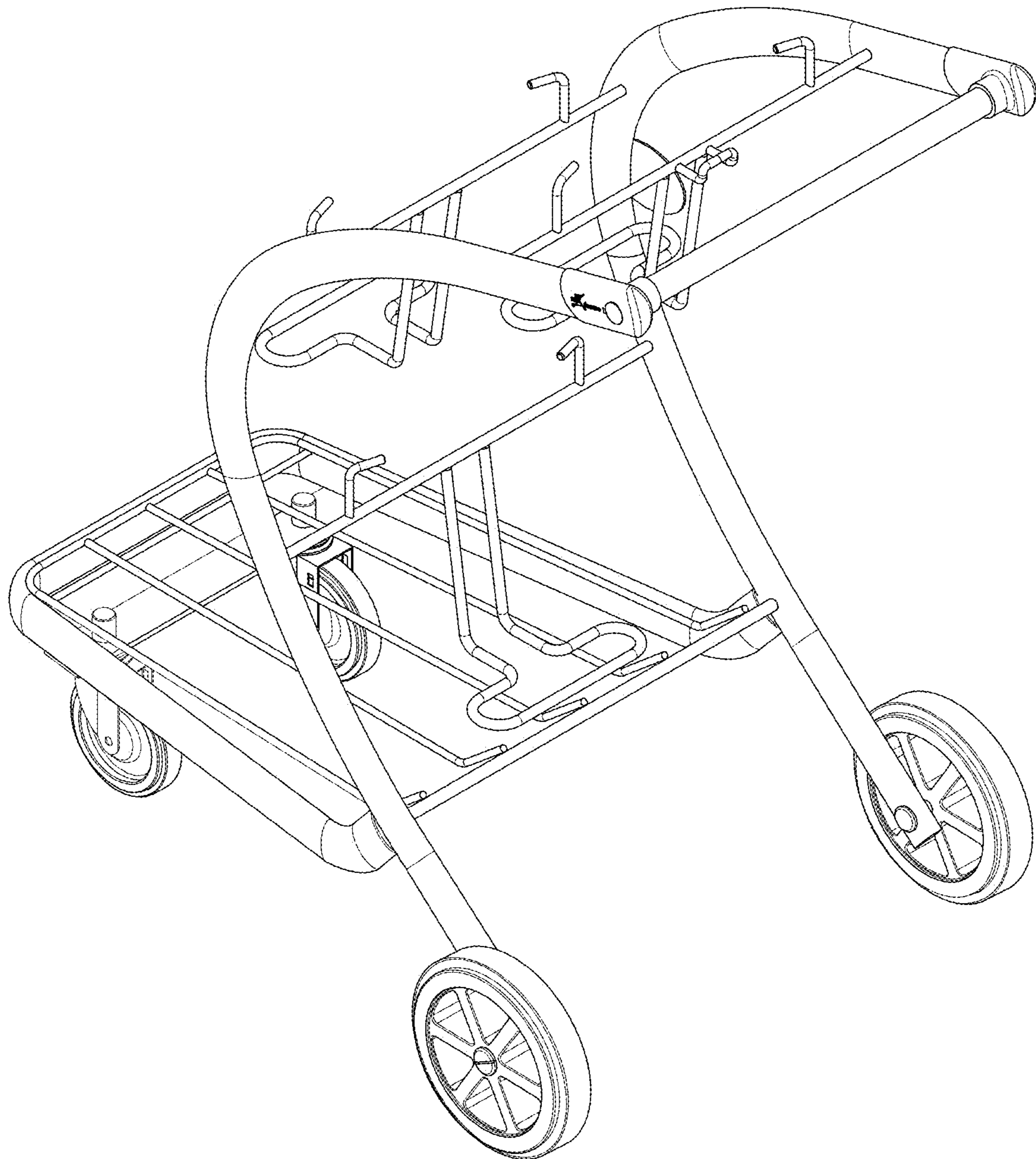


FIG. 7

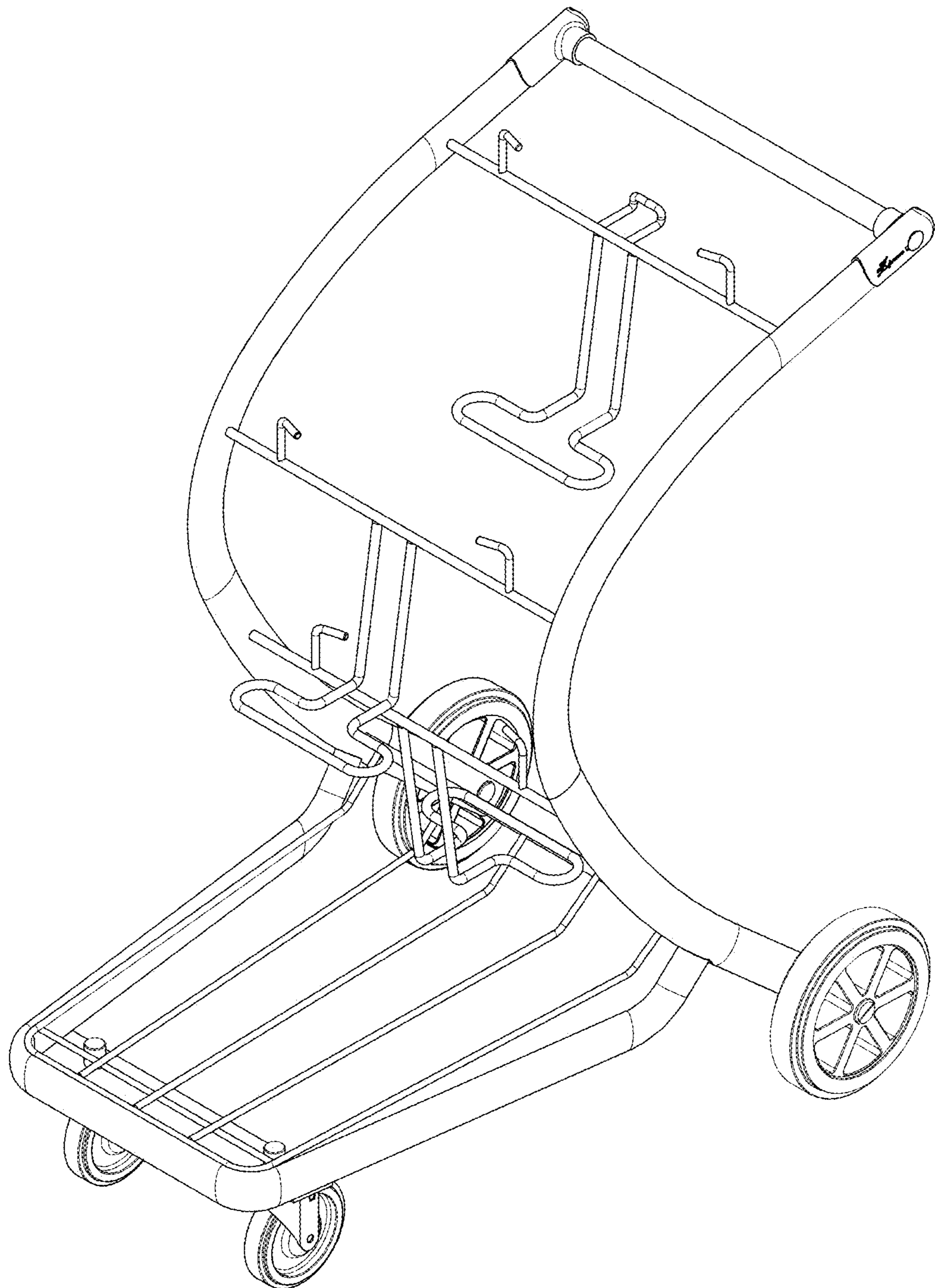


FIG. 8